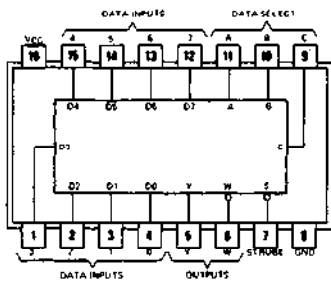


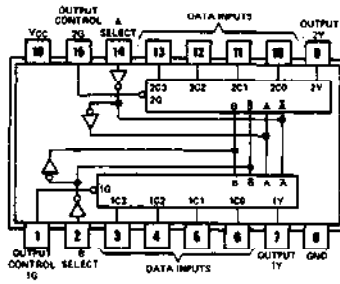
TTL Logic Diagrams (cont'd)

Diag. 175 16-Pin DIP See Fig. D8
ECG74251, ECG74LS251, ECG74S251



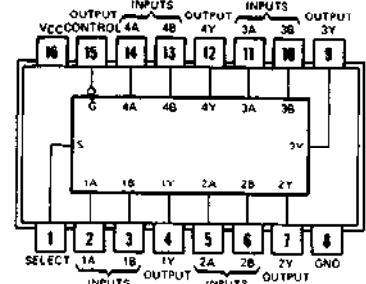
8-Line-to-1-Line Data Selector/Multiplexer with Complementary 3-State Output

Diag. 176 16-Pin DIP See Fig. D8
ECG74LS253



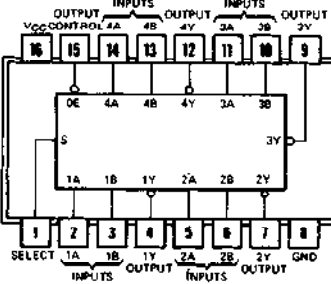
Dual-4 Line-to-1-Line Data Selector/Multiplexer with 3-State Output

Diag. 177 16-Pin DIP See Fig. D8
ECG74HC257, ECG74LS257



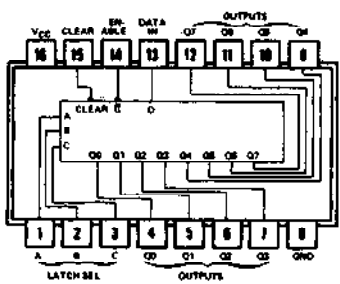
Quad 2-Line-to-1-Line Data Selector/Multiplexer with 3-State Output

Diag. 178 16-Pin DIP See Fig. D8
ECG74LS258, ECG74S258



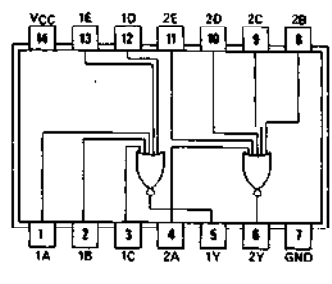
Quad 2-Line-to-1-Line Data Selector/Multiplexer with Inverting 3-State Output

Diag. 179 16-Pin DIP See Fig. D8
ECG74HC259, ECG74LS259



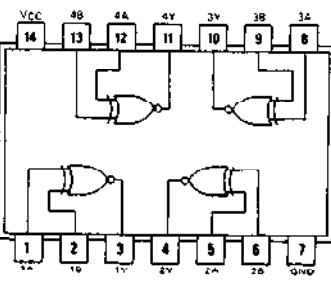
8-Bit Addressable Latch

Diag. 180 14-Pin DIP See Fig. D6
ECG74LS260



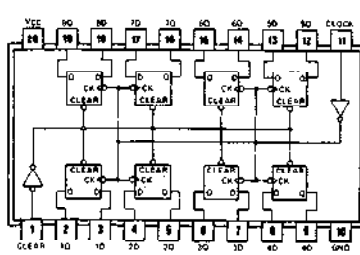
Dual 5-Input NOR Gate

Diag. 181 14-Pin DIP See Fig. D6
ECG74LS266



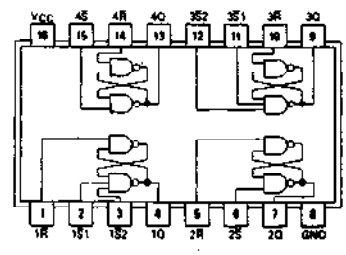
Quad Exclusive NOR Gate with Open Collector Output

Diag. 182 20-Pin DIP See Fig. D12
ECG74HC273, ECG74HCT273, ECG74LS273



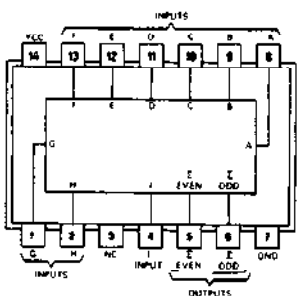
Octal "D" Flip-Flop with Clear

Diag. 183 16-Pin DIP See Fig. D8
ECG74LS279



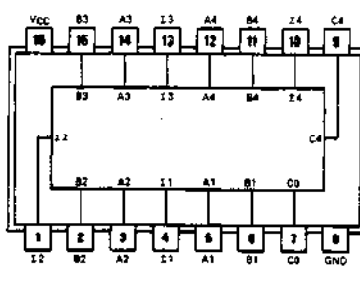
Quad S-R Latch

Diag. 184 14-Pin DIP See Fig. D6
ECG74LS280



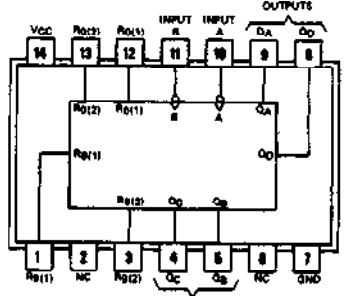
9-Bit Odd/Even Parity Generator/Checker

Diag. 185 16-Pin DIP See Fig. D8
ECG74LS283



4-Bit Full Adder

Diag. 186 14-Pin DIP See Fig. D6
ECG74290, ECG74LS290

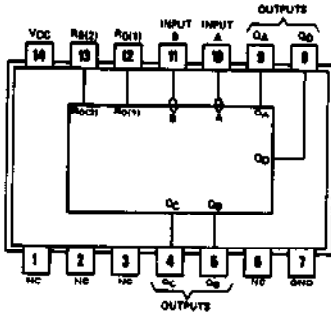


Decade Counter

Package Outlines - See Page 1-367

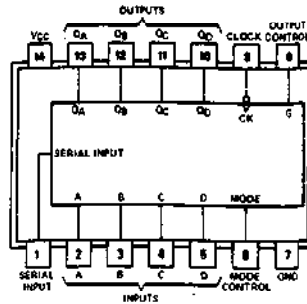
TTL Logic Diagrams (cont'd)

Diag. 187 14-Pin DIP See Fig. D6
ECG74LS293



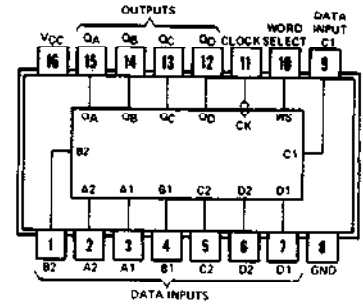
4-Bit Binary Counter

Diag. 188 14-Pin DIP See Fig. D6
ECG74LS295A



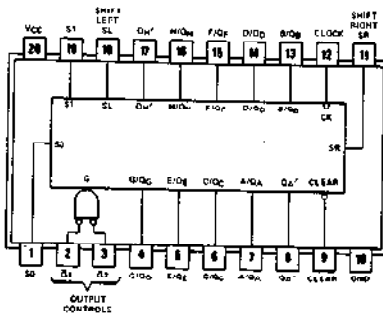
4-Bit Bidirectional Parallel Shift Register with 3-State Output

Diag. 189 16-Pin DIP See Fig. D8
ECG74LS298



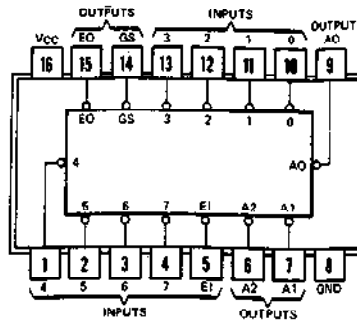
Quad 2-Input Multiplexer with Storage

Diag. 190 20-Pin DIP See Fig. D12
ECG74HC299, ECG74LS299



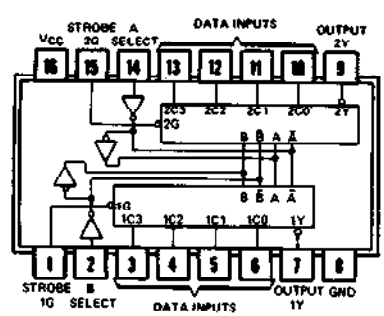
8-Bit Bidirectional Shift/Storage Register with 3-State Output

Diag. 191 16-Pin DIP See Fig. D8
ECG74LS348



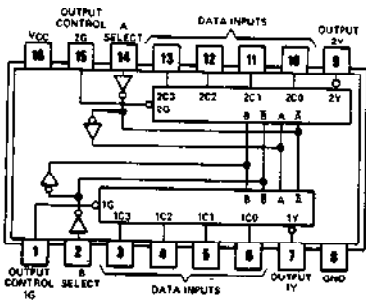
8-Line-to-3-Line Priority Encoder with 3-State Output

Diag. 192 16-Pin DIP See Fig. D8
ECG74LS352



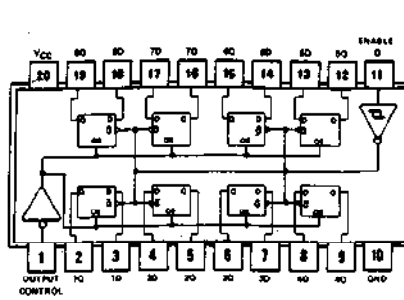
Dual 4-Line-to-1-Line Data Selector/Multiplexer with 3-State Output

Diag. 193 16-Pin DIP See Fig. D8
ECG74LS353



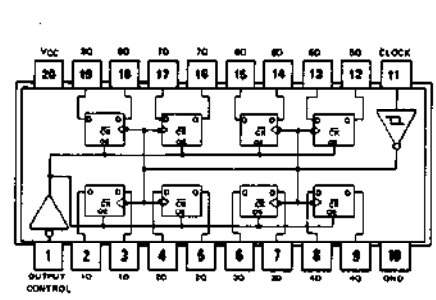
Dual 4-Line-to-1-Line Data Selector/Multiplexer with Inverting 3-State Output

Diag. 194 20-Pin DIP See Fig. D12
ECG74LS363



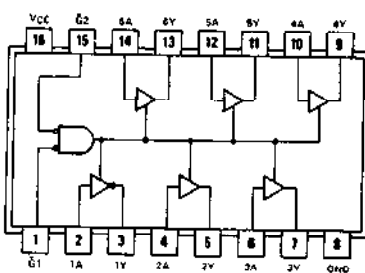
Octal "D" Transparent Latch with 3-State Output

Diag. 195 20-Pin DIP See Fig. D12
ECG74LS364



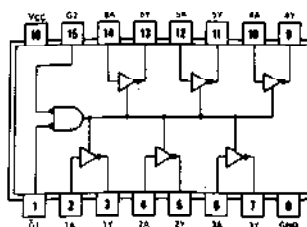
Octal "D" Flip-Flop with 3-State Output

Diag. 196 16-Pin DIP See Fig. D8
ECG74365, ECG74LS365A



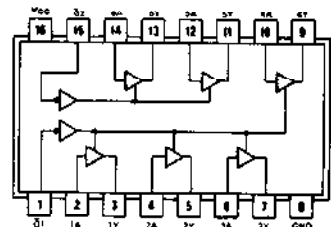
Hex Bus Driver with Non-Inverting 3-State Output (Common Enable)

Diag. 197 16-Pin DIP See Fig. D8
ECG74366, ECG74LS366A



Hex Bus Driver with Inverting 3-State Output (Common Enable)

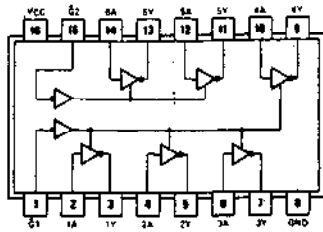
Diag. 198 16-Pin DIP See Fig. D8
ECG74367, ECG74LS367



Hex Bus Driver with Non-Inverting 3-State Output (4-Line/2-Line Enable)

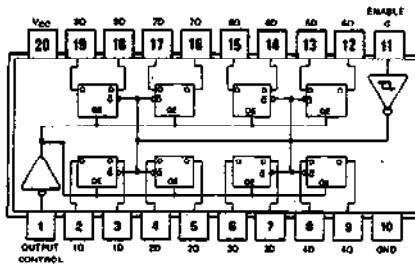
TTL Logic Diagrams (cont'd)

Diag. 199 16-Pin DIP See Fig. D8
ECG74368, ECG74LS368



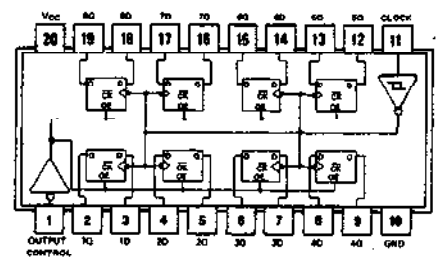
Hex Bus Driver with Inverting 3-State Output (4-Line/2-Line Enable)

Diag. 200 20-Pin DIP See Fig. D12
ECG74C373, ECG74HC373, ECG74HCT373, ECG74HC573, ECG74HCT573, ECG74LS373



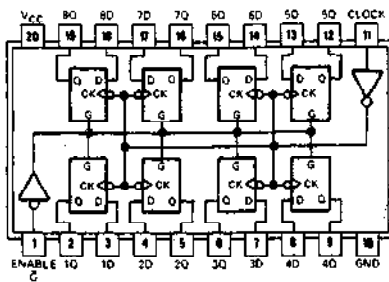
Octal "D" Transparent Latch with 3-State Output

Diag. 201 20-Pin DIP See Fig. D12
ECG74C374, ECG74HC374, ECG74HCT374, ECG74HC574, ECG74HCT574, ECG74LS374



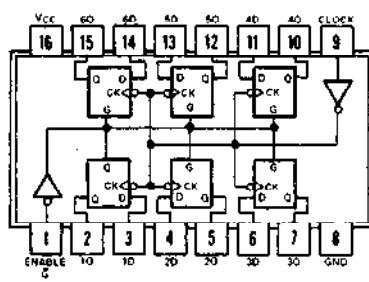
Octal "D" Flip-Flop with 3-State Output

Diag. 202 20-Pin DIP See Fig. D12
ECG74HC377, ECG74LS377



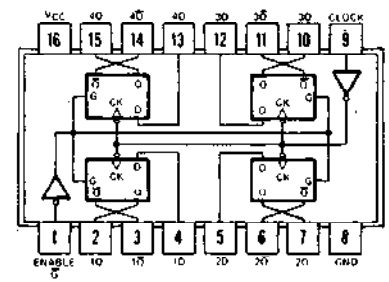
Octal "D" Flip-Flop with Common Enable

Diag. 203 16-Pin DIP See Fig. D8
ECG74LS378



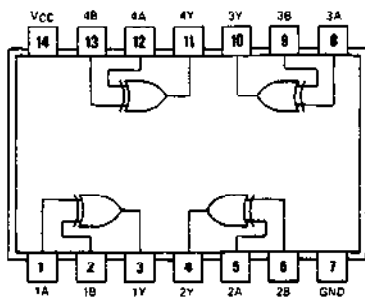
Hex "D" Flip-Flop with Common Enable

Diag. 204 16-Pin DIP See Fig. D8
ECG74LS379



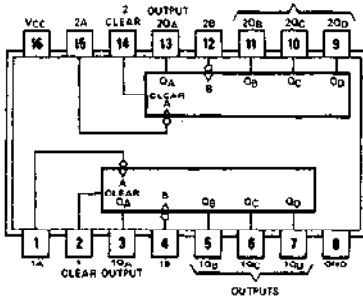
Quad "D" Flip-Flop with Complementary Outputs

Diag. 205 14-Pin DIP See Fig. D6
ECG74LS386



Quad Exclusive OR Gate

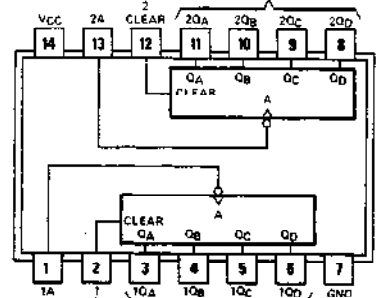
Diag. 206 16-Pin DIP See Fig. D8
ECG74390*, ECG74HC390, ECG74LS390



Dual Decade Counter

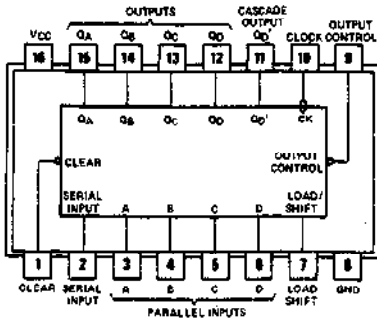
*Discontinued

Diag. 207 14-Pin DIP See Fig. D6
ECG74393, ECG74HC393, ECG74LS393



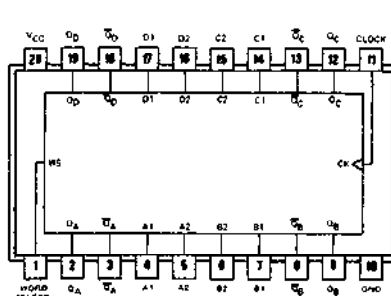
Dual 4-Bit Binary Counter

Diag. 208 16-Pin DIP See Fig. D8
ECG74LS395A



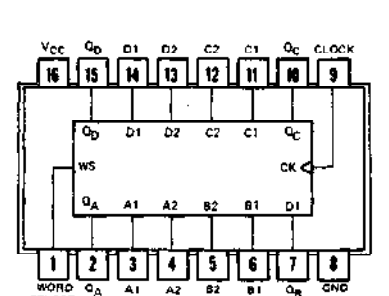
4-Bit Cascadable Parallel Shift Register with 3-State Output

Diag. 209 20-Pin DIP See Fig. D12
ECG74LS398



Quad 2-Input Multiplexer with Storage - Complementary Outputs

Diag. 210 16-Pin DIP See Fig. D8
ECG74LS399

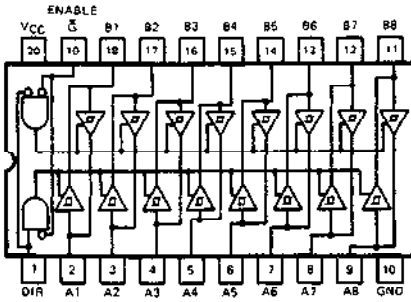


Quad 2-Input Multiplexer with Storage

Package Outlines - See Page 1-367

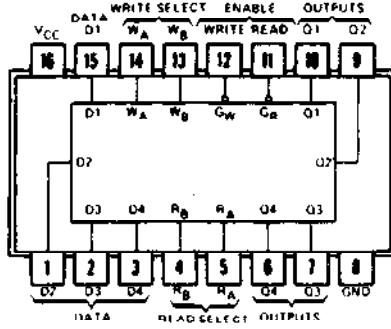
TTL Logic Diagrams (cont'd)

Diag. 223 20-Pin DIP See Fig. D12
ECG74LS645



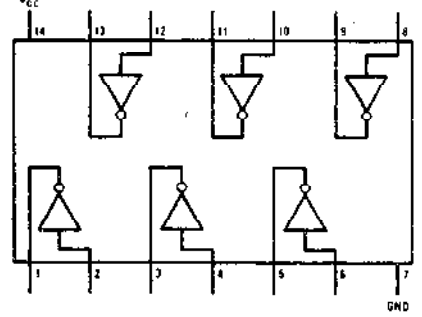
Octal Bus Transceiver with Non-Inverting 3-State Output

Diag. 224 16-Pin DIP See Fig. D8
ECG74LS670



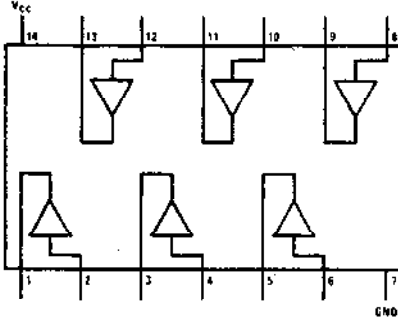
4 x 4 Register File with 3-State Output

Diag. 225 14-Pin DIP See Fig. D6
ECG74C901



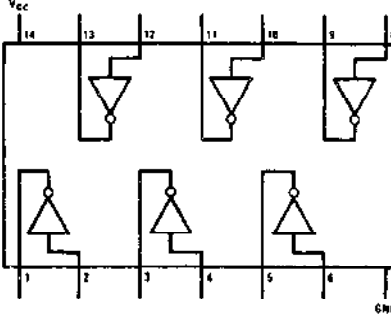
Hex CMOS to TTL Interface Buffer (Inverting Output)

Diag. 226 14-Pin DIP See Fig. D6
ECG74C902



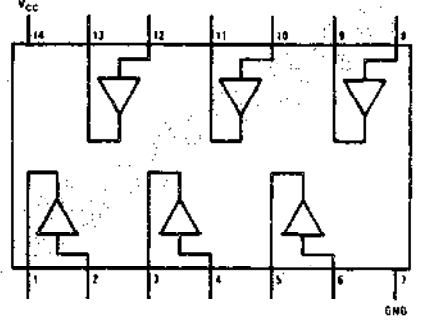
Hex CMOS to TTL Interface Buffer (Non-Inverting Output)

Diag. 227 14-Pin DIP See Fig. D6
ECG74C903



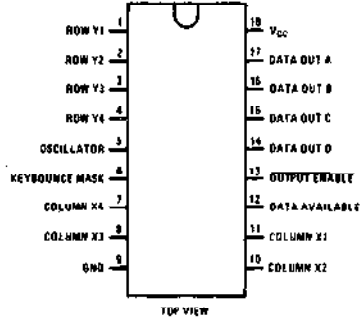
Hex PMOS to TTL/CMOS Interface Buffer (Inverting Output)

Diag. 228 14-Pin DIP See Fig. D6
ECG74C904



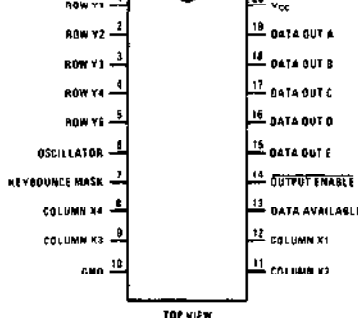
Hex PMOS to TTL/CMOS Interface Buffer (Non-Inverting Output)

Diag. 229 18-Pin DIP See Fig. D10
ECG74C922



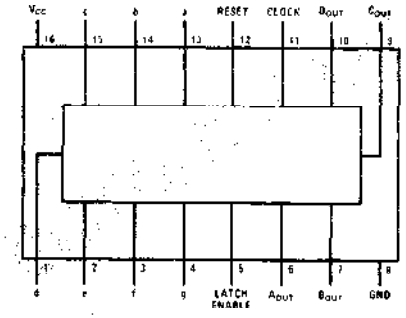
16-Key Keyboard Encoder with 3-State Output

Diag. 230 20-Pin DIP See Fig. D12
ECG74C923



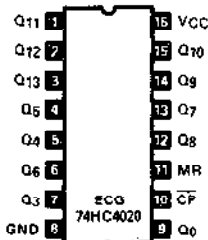
20-Key Keyboard Encoder with 3-State Output

Diag. 231 16-Pin DIP See Fig. D8
ECG74C925



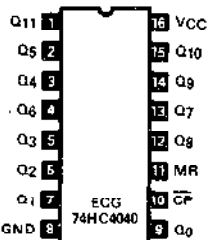
4-Digit Counter with Multiplexed 7-Segment Output

Diag. 232 16-Pin DIP See Fig. D8
ECG74HC4020



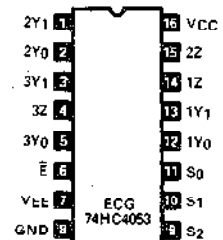
14-Stage Binary/Ripple Counter

Diag. 233 16-Pin DIP See Fig. D8
ECG74HC4040



12-Stage Binary/Ripple Counter

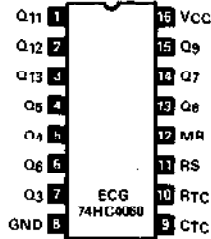
Diag. 234 16-Pin DIP See Fig. D8
ECG74HC4053



Triple 2-Channel Analog Multiplexer

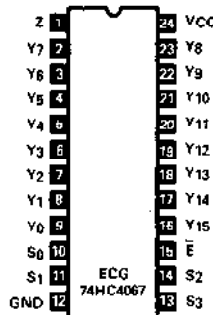
TTL Logic Diagrams (cont'd)

Diag. 235 16-Pin DIP See Fig. D8
ECG74HC4060



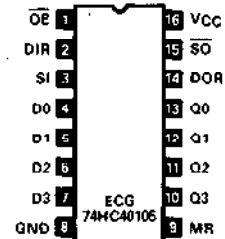
14-Stage Ripple-Carry Binary Counter/
Divider and Oscillator

Diag. 236 24-Pin DIP See Fig. D15
ECG74HC4067



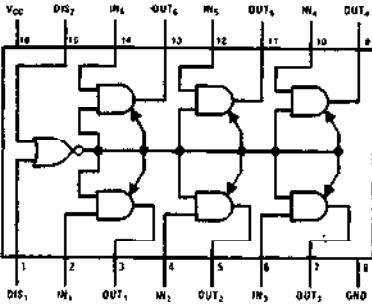
16-Channel Multiplexer/Demultiplexer

Diag. 237 16-Pin DIP See Fig. D8
ECG74HC40105



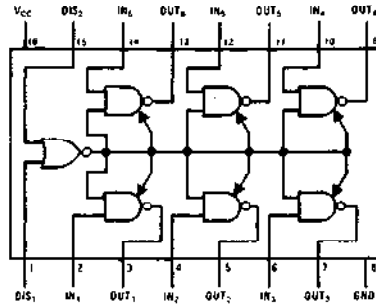
4-Bit x 16-Word FIFO Register

Diag. 238 16-Pin DIP See Fig. D8
ECG80C95



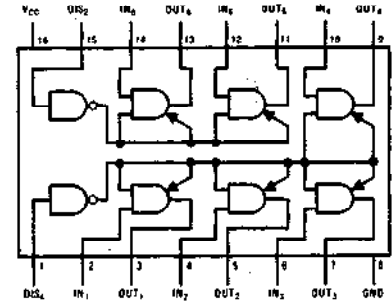
Hex Buffer with 3-State Output (Common
Enable)

Diag. 239 16-Pin DIP See Fig. D8
ECG80C96



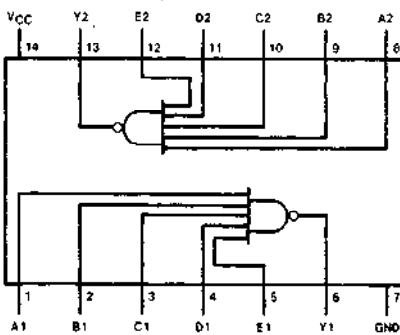
Hex Inverter/Buffer with 3-State Output
(Common Enable)

Diag. 240 16-Pin DIP See Fig. D8
ECG80C97



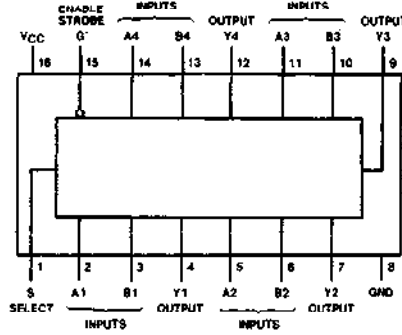
Hex Buffer with 3-State Output (2-Line/
4-Line Enable)

Diag. 241 14-Pin DIP See Fig. D6
ECG8092



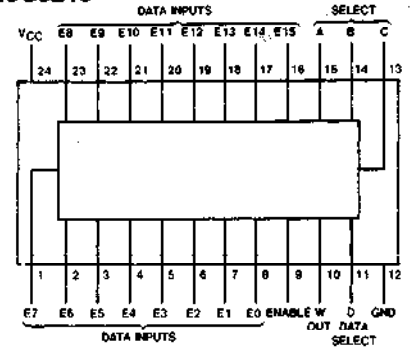
Dual 5-Input NAND Gate

Diag. 242 16-Pin DIP See Fig. D8
ECG8123



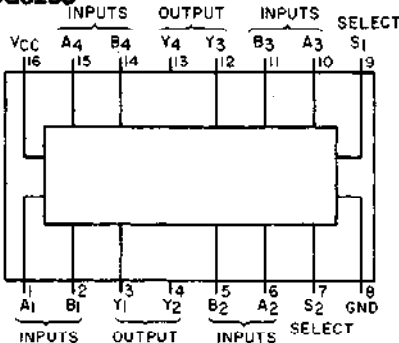
Quad 2-Line-to-1-Line Data Selector/
Multiplexer with 3-State Output

Diag. 243 24-Pin DIP See Fig. D15
ECG8219



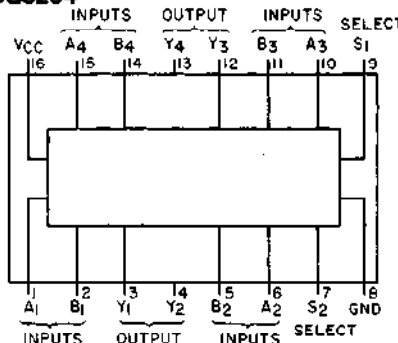
16-Line-to-1-Line Data Selector/Multiplexer
with Inverting 3-State Output

Diag. 244 16-Pin DIP See Fig. D8
ECG8233



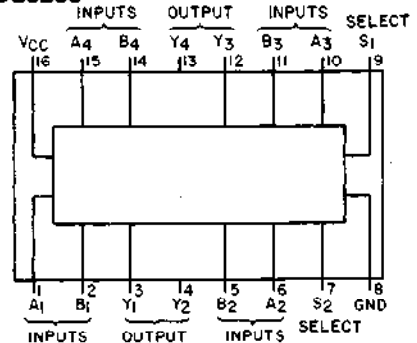
Quad 2-Line-to-1-Line Data Selector/
Multiplexer

Diag. 245 16-Pin DIP See Fig. D8
ECG8234



Quad 2-Line-to-1-Line Data Selector/
Multiplexer with Inverting Output

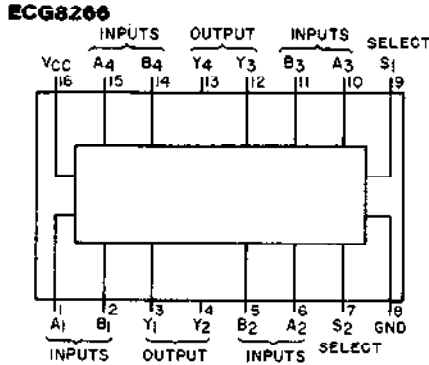
Diag. 246 16-Pin DIP See Fig. D8
ECG8235



Quad 2-Line-to-1-Line Data Selector/
Multiplexer with Open Collector Output

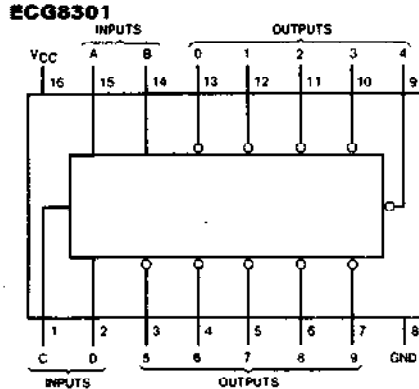
TTL Logic Diagrams (cont'd)

Diag. 247 16-Pin DIP See Fig. D8



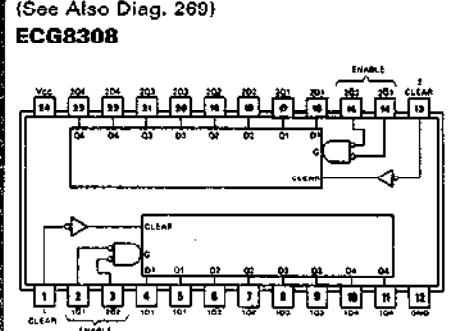
Quad 2-Line-to-1-Line Data Selector/
Multiplexer with Conditional Outputs

Diag. 248 16-Pin DIP See Fig. D8



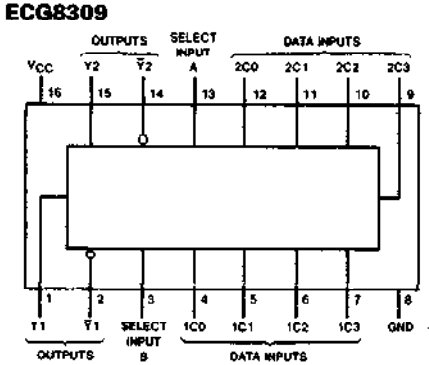
BCD-to-Decimal Decoder

Diag. 249 24-Pin DIP See Fig. D15



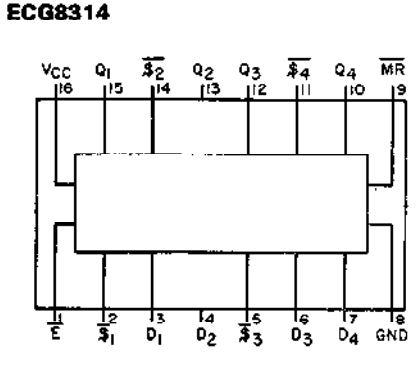
Dual 4-Bit Latch

Diag. 250 16-Pin DIP See Fig. D8



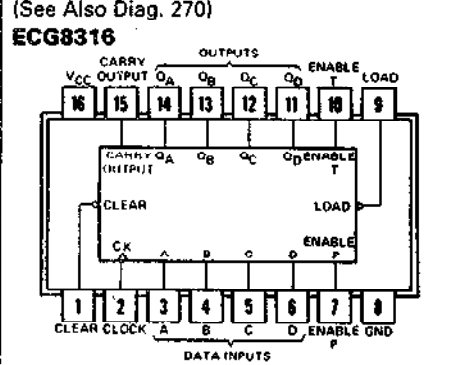
Dual 4-Line-to-1-Line Data Selector/
Multiplexer with Complementary Output

Diag. 251 16-Pin DIP See Fig. D8



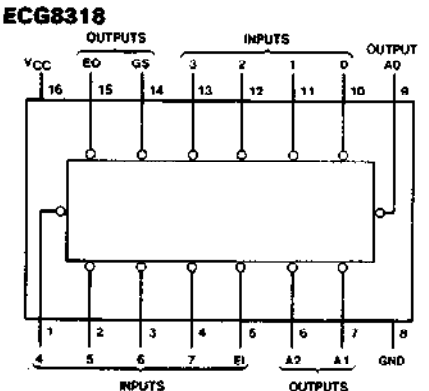
Quad Latch

Diag. 252 16-Pin DIP See Fig. D8



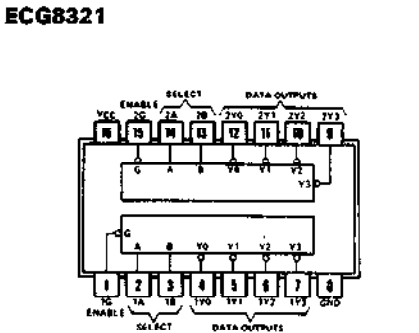
Presettable Synchronous 4-Bit Binary
Counter with Direct Clear

Diag. 253 16-Pin DIP See Fig. D8



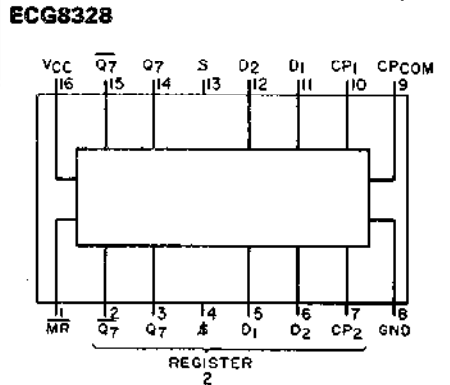
8-Line-to-3-Line Priority Encoder

Diag. 254 16-Pin DIP See Fig. D8



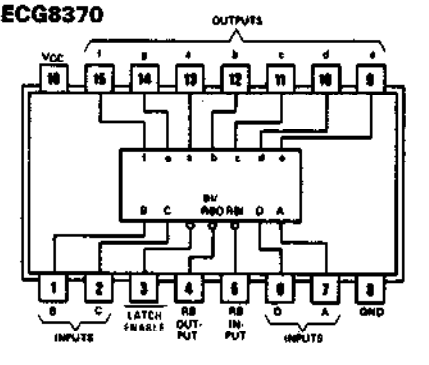
Dual 2-Line-to-4-Line Decoder/Demultiplexer

Diag. 255 16-Pin DIP See Fig. D8



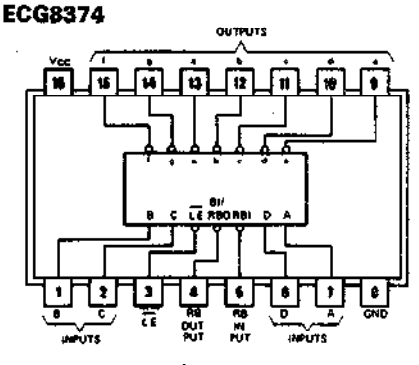
Dual 8-Bit Serial Shift Register

Diag. 257 16-Pin DIP See Fig. D8



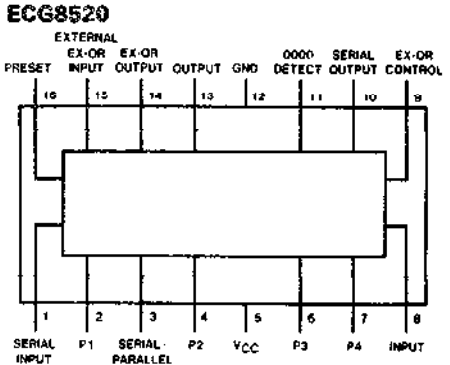
Hexadecimal-to-7-Segment Decoder/Latch/
Driver with Open Collector Output

Diag. 258 16-Pin DIP See Fig. D8



Hexadecimal-to-7-Segment Decoder/Driver/
Latch for Common Anode Displays

Diag. 259 16-Pin DIP See Fig. D8

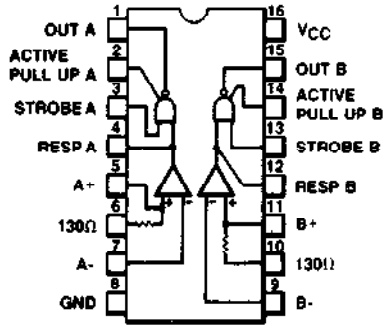


Module "N" Divider

Package Outlines - See Page 1-367

TTL Logic Diagrams (cont'd)

Diag. 274 16-Pin DIP See Fig. D8
ECG9615



Dual Differential Line Receiver

Interface, Display Driver Integrated Circuits

ECG No.	Description	Page No.	Fig. No.
74CA8	IC-CMOS BCD-7-Segment Decoder	1-357	D8
74C925	IC-CMOS 4-Digit Counter, Multiplex 7-Segment Driver - Disc.	1-352	D8
74LS47	IC-TTL Lo Pwr Schottky BCD-to-7-Segment Decoder/Driver	1-337	D8
74SL48	IC-TTL Lo Pwr Schottky BCD-to-7-Segment Decoder/Driver	1-337	D8
74LS49	IC-TTL Lo Pwr Schottky BCD-to-7-Segment Decoder/Driver	1-337	D6
74LS240	IC-TTL Lo Pwr Schottky Octal 3-State Driver	1-347	D12
74LS241	IC-TTL Lo Pwr Schottky Octal 3-State Driver	1-347	D12
74LS242	IC-TTL Lo Pwr Schottky Quad Bus Transceiver	1-347	D6
74LS243	IC-TTL Lo Pwr Schottky Quad Bus Transceiver	1-347	D6
74LS244	IC-TTL Lo Pwr Schottky Octal 3-State Driver	1-347	D12
74LS247	IC-TTL Lo Pwr Schottky BCD-to-7-Segment Decoder/Driver	1-347	D8
74LS248	IC-TTL Lo Pwr Schottky BCD-to-7-Segment Decoder/Driver	1-347	D8
74LS249	IC-TTL Lo Pwr Schottky BCD-to-7-Segment Decoder/Driver	1-347	D8
74LS366A	IC-TTL Lo Pwr Schottky Hex Inverter/Buffer with Common 2-Input NOR Enable	1-349	D8
74LS367	IC-TTL Lo Pwr Schottky Hex 3-State Buffer with Separate 2-Bit and 4-Bit Sections	1-349	D8
74LS368	IC-TTL Lo Pwr Schottky Hex Inverter/Buffer with Separate 2-Bit and 4-Bit Sections	1-350	D8
74LS540	IC-TTL Octal 3-State Inverting Buffer/Driver	1-351	D12
74LS541	Octal 3-State Non-Inverting Buffer/Driver	1-351	D12
916	IC-Transistor Array for Digital Segment Displays	1-197	L111
1500	IC-Voltage Level Ind. Dr, 7-Step Output for LED, Log Scale	1-236	L151
1501	IC-Voltage Level Ind. Dr, 7-Step Output for LED, Linear Scale	1-236	L151
1502	IC-Voltage Level Ind. Dr, 5-Step Output for LED, Linear Scale	1-236	L41
1503	IC-Voltage Level Ind. Dr, 5-Step Output for LED, Log Scale	1-236	L41
1504	IC-Voltage Level Ind. Dr, 5-Step Log, Open Collector Outputs	1-236	L97
1505	IC-Voltage Level Ind. Dr, 5-Step Linear, Open Collector Outputs	1-236	L97
1508	IC-Voltage Level Ind. Dr, 10-Step Linear, Open Collector Outputs	1-236	L115
1509	IC-Voltage Level Ind. Dr, 10-Step Log, Open Collector Outputs	1-236	L115
1519	IC-Voltage Level Ind. Dr, 10-Step Output for LED, Linear Scale	1-236	L111
2015	IC-7 Channel CMOS/TTL Input Driver - Disc.	1-358	D8
2016	IC-8 Channel MOS/TTL Input Driver	1-358	D10
2017	IC-8 Channel PMOS Input Driver	1-358	D10
2018	IC-8 Channel CMOS/TTL Input Driver	1-358	D10
2019	IC-8 Channel CMOS/PMOS Input Driver	1-358	D10
2021	IC-8 Digit/Segment Display Driver	1-358	D10
2022	IC-8 Digit/Segment Display Driver	1-358	D10
2023	IC-7 Segment Display Driver - Disc.	1-358	D8
2024	IC-2 Digit BCD-to-7-Segment Decoder/Driver	1-358	D15
2025	IC-Quad HV Display Driver for Gas Discharge Displays	1-358	D6
2027	IC-Hex LED Digit Driver, MOS Compatible	1-358	D6
2028	IC-7-Segment HV Decoder/Driver for Gas Filled Displays	1-358	D8
2030	IC-HV Segment Driver for Gas Discharge Displays - Disc.	1-359	D10
2031	IC-HV Digit Driver for Gas Discharge Displays (Active Low Inputs)	1-359	D8
2032	IC-BCD-to-7-Segment Decoder/Driver with Constant Current Outputs	1-359	D8
2033	IC-Darlington Array, 4-Unit 1.5 A	1-359	D9
2070	IC-Transistor Array, 7-Unit 150 mA with Clamp Diode and Strobe	1-359	D10
2072	IC-Transistor Array, 6-Unit 320 mA with Clamp Diode and Strobe	1-359	D8
2073	IC-Transistor Array, 6-Unit 320 mA with Clamp Diode and Strobe	1-359	D8
2074	IC-Darlington Array, 7-Unit 400 mA with Clamp Diode	1-358	D8
2075	IC-Transistor Array, 5-Unit 320 mA with Strobe	1-359	D6
2076	IC-Darlington Array, 7-Unit 320 mA with Clamp Diode	1-358	D8
2077	IC-Transistor Array, 6-Unit 150 mA with Clamp Diode	1-359	D6
2078	IC-Darlington Array, 5-Unit 500 mA	1-359	D6

ECG No.	Description	Page No.	Fig. No.
2079	IC-Darlington Array, 7-Unit 400 mA	1-359	D8
2081	IC-Transistor Array, 7-Unit 100 mA Drivers	1-358	D8
2082	IC-Darlington Array, 6-Unit 100 mA	1-359	D7
2083	IC-Darlington Array, 6-Unit 150 mA	1-359	D7
2084	IC-Darlington Array, 5-Unit 500 mA	1-359	D7
2085	IC-Darlington Array, 4-Unit 1.5 A	1-359	D8
2086	IC-Darlington Array, 4-Unit 1.5 A (PMOS Compatible Outputs)	1-359	D8
2087	IC-Darlington Array, 4-Unit 1.5 A with Pre-Driver Stage	1-360	D8
2088	IC-Darlington Array, 4-Unit 1.5 A with Pre-Driver Stage	1-360	D8
2090	IC-Transistor Array, 7-Unit 150 mA with Clamp Diode	1-360	D8
2631	IC-Quad EIA-422 Line Driver	1-360	D9
2632	IC-Quad EIA-422/3 Line Receiver	1-360	D9
4055B	IC-CMOS BCD-to-7-Segment Decoder/Driver	1-312	D8
4056B	IC-CMOS BCD-to-7-Segment Decoder/Driver with Strobed Latch	1-312	D8
4511B	IC-CMOS BCD-to-7-Segment Latch/Decoder/Driver	1-315	D8
4513B	IC-CMOS BCD-to-7-Segment Latch/Decoder/Driver with Ripple Banking	1-315	D8
6880	IC-Schottky Quad 3-State Inverting Bus Transceiver	1-360	D8
6885	IC-Schottky Hex Hi Speed 3-State Non-Inverting Bus/Interface Driver with Common Enable	1-360	D8
6886	IC-Schottky Hex Hi Speed 3-State Inverting Bus/Interface Driver with Common Enable	1-360	D8
6887	IC-Schottky Hex Hi Speed 3-State Non-Inverting Bus/Interface Driver with 2-Line and 4-Line Enable	1-360	D8
6888	IC-Schottky Hex Hi Speed 3-State Inverting Bus/Interface Driver with 2-Line and 4-Line Enable	1-360	D8
6889	IC-Schottky Quad 3-State Non-Inverting Bus Transceiver - Disc.	1-360	D8
7441	IC-TTL 1-of-10 Decoder/Driver for Cold Cathode Tubes	1-336	D8
7445	IC-TTL BCD-to-Decimal Decoder/Driver (30 V)	1-337	D8
7446	IC-TTL BCD-to-7-Segment Decoder/Driver (30 V)	1-337	D8
7447	IC-TTL BCD-to-7-Segment Decoder/Driver (15 V)	1-337	D8
7448	IC-TTL BCD-to-7-Segment Decoder/Driver	1-337	D8
8368	IC-TTL 7-Segment Latch/Decoder/Driver for Common Cathode LED - Disc.		D6
8370	IC-TTL 7-Segment Decoder/Driver/Latch with Open Collector Outputs	1-354	D8
8374	IC-TTL 7-Segment Latch/Decoder/Driver for Common Anode LED	1-354	D8
9380	IC-HLL BCD-to-Decode Decoder/Lamp Driver	1-326	D9
9381	IC-HLL BCD-to-Decode Decoder/Logic Driver	1-326	D8
9382	IC-HLL BCD-to-Decode Decoder/Gas Discharge Tube Driver	1-326	D8
9383	IC-HLL BCD-to-7-Segment Decoder/Driver	1-326	D8
9679	IC-HTL Dual Lamp/Line Driver	1-327	D8
74141	IC-TTL BCD-to-Decimal Decoder/Driver	1-343	D8
74142	IC-TTL BCD Counter/4-Bit Latch/BCD Decoder/Driver	1-343	D8
74145	IC-TTL BCD-to-Decimal Decoder/Driver	1-343	D8
74249	IC-TTL BCD-to-7-Segment Decoder/Driver	1-347	D8
74365	IC-TTL Hex Non-Inverting 3-State Bus Driver with Common Enable	1-349	D8
74366	IC-TTL Hex Inverting 3-State Bus Driver with Common Enable	1-349	D8
74367	IC-TTL Hex Non-Inverting 3-State Bus Driver with 2-Line and 4-Line Enable	1-349	D8
74368	IC-TTL Hex Inverting 3-State Bus Driver with 4-Line and 2-Line Enable	1-360	D8
75188	IC-DTL Quad Line Driver	1-360	D6
75189	IC-DTL Quad Line Receiver	1-360	D6
75450B	IC-Dual Peripheral AND Driver	1-361	D6
75451B	IC-Dual Peripheral AND Driver	1-361	D4
75452B	IC-Dual Peripheral NAND Driver	1-361	D4
75453B	IC-Dual Peripheral OR Driver	1-361	D4
75454B	IC-Dual Peripheral NOR Driver	1-361	D4
75491B	IC-4-Segment MOS to LED Anode Driver	1-361	D6
75493	IC-4-Segment MOS to LED Anode Driver	1-361	D8
75494	IC-6 Digit MOS to LED Cathode Driver	1-361	D8
75497	IC-7 Digit MOS to LED Cathode Driver	1-361	D8

Display Driver Circuits

ECG **I_o Max*** **16-Pin DIP See Fig. D8**

2011#	500 mA
2012#	500 mA
2013#	500 mA
2014#	500 mA
2015	500 mA
2074	400 mA
2076	150 mA
2081	100 mA

7 Unit Darlington Array/Driver ***DISCONTINUED**

ECG **I_o Max*** **18-Pin DIP See Fig. D10**

2016	500 mA
2017	500 mA
2018	500 mA
2019	500 mA
2020#	500 mA

8 Unit Darlington Array/Driver ***DISCONTINUED**

ECG **I_o Max*** **18-Pin DIP See Fig. D10**

2021	40 mA
2022	40 mA

$V_{BB} = +80 V$

8 Digit/Segment, Darlington Array/Driver

ECG **I_o Max*** **16-Pin DIP See Fig. D8**

2023	200 mA
------	--------

7 Segment/LED, Transistor Array/Driver

ECG **I_o Max*** **24-Pin DIP See Fig. D15**

2024	25 mA
------	-------

$V_{CC} = +5 V$

2 Digit BCD-to-7 Segment Decoder/Driver

ECG **I_o Max*** **14-Pin DIP See Fig. D6**

2025	40 mA
------	-------

$V_{BB} = +100 V$

4 HV Digit Driver

ECG **I_o Max*** **16-Pin DIP See Fig. D8**

2026	40 mA
------	-------

$V_{BB} = +100 V$

6 HV Digit Driver

ECG **I_o Max*** **14-Pin DIP See Fig. D6**

2027	350 mA
------	--------

$V_{ES} = +10 V$

6 Digit Driver

ECG **I_o Max*** **16-Pin DIP See Fig. D8**

2028	1.5 mA
------	--------

$V_{CC} = +5 V$

BCD-to-7 Segment Decoder/Driver

ECG **2030** **18-Pin DIP See Fig. D10**

Programming Current

8 HV Segment Driver

* I_o Max = Max Current Per Output

Display Driver Circuits (cont'd)

ECG I_o Max*
2031 50 mA

16-Pin DIP
See Fig. D8

$V_{EE} = -55 V$
 $V_{CC} = GND$

7 HV Digit Driver (Active Low Input)

ECG I_o Max*
2032 30 mA

16-Pin DIP
See Fig. D8

$V^+ = +5 V$

BCD-to-7 Segment Decoder/Driver,
w/Constant Current Outputs

ECG I_o Max*
2033 1.5 A

16-Pin DIP
See Fig. D9

$V_{CC} = +5 V$

4 Unit Darlington Array/Driver (Active Low Input)

ECG I_o Max*
2070 150 mA
2071 150 mA

18-Pin DIP
See Fig. D10

$V_{CC} = +6 V$

7 Unit Transistor Array/Driver, w/Clamp Diode and Strobe

ECG I_o Max*
2072 320 mA
2073 320 mA

16-Pin DIP
See Fig. D6

$V_{CC} = +6 V$

6 Unit Transistor Array/Driver, w/Clamp Diode and Strobe

ECG I_o Max*
2075 320 mA

14-Pin DIP
See Fig. D6

$V_{CC} = +6 V$

5 Unit Transistor Array/Driver, w/Strobe

ECG I_o Max*
2077 150 mA
2082 100 mA

14-Pin DIP
See Fig. D6
See 14-Pin DIP-ET See Fig. D7

$V_{CC} = +6 V$

6 Unit Darlington Array/Driver, w/Clamp Diode

ECG I_o Max*
2078 500 mA
2084 500 mA

14-Pin DIP
See Fig. D6
See 14-Pin DIP-ET See Fig. D7

$V_{CC} = +6 V$

5 Unit Darlington Array/Driver

ECG I_o Max*
2079 400 mA

16-Pin DIP
See Fig. D8

$V_{CC} = +6 V$

7 Unit Darlington Array/Driver

ECG I_o Max*
2080 100 mA

18-Pin DIP
See Fig. D10

$V_{CC} = +8 V$

7 Unit Transistor Array/Driver, w/strobe

ECG I_o Max*
2083 150 mA

14-Pin DIP-ET
See Fig. D7

$V_{CC} = +6 V$

6 Unit Darlington Array/Driver

ECG I_o Max*
2085 1.5 A
2086 1.5 A

16-Pin DIP
See Fig. D8

$V_{CC} = +5 V$

4 Unit Darlington Array/Driver

* I_o Max = Current Per Transistor

Package Outlines - See Page 1-367

Display Driver Circuits (cont'd)

ECG **10 Max***
2087 1.5 A
2088 1.5 A

16-Pin DIP
 See Fig. D8

4 Unit Darlington Array/Driver, w/Pre-Driver

ECG **10 Max***
2090 150 mA

16-Pin DIP
 See Fig. D8

7 Unit Transistor Array/Driver, w/Clamp Diode

ECG
2631

16-Pin DIP See Fig. D9

$V_{CC} = +5 V$

Quad EIA-422 Line Driver

ECG
2632

16-Pin DIP See Fig. D9

$V_{CC} = +5 V$

Quad EIA-422/3 Line Receiver

ECG
6880

16-Pin DIP See Fig. D8

$V_{CC} = +5 V$

Schottky Quad 3-State Bus Transceiver (Inverting)

ECG
6885

16-Pin DIP See Fig. D8

$V_{CC} = +5 V$

Schottky Hex 3-State Bus/IF Driver with Common Enable (Non-Inverting)

ECG
6886

16-Pin DIP See Fig. D8

$V_{CC} = +5 V$

Schottky Hex 3-State Bus/IF Driver, with Common Enable (Inverting)

ECG
6887

16-Pin DIP See Fig. D8

$V_{CC} = +5 V$

Schottky Hex 3-State Bus/IF Driver, w/2 & 4 Line Enable (Non-Inverting)

ECG
6888

16-Pin DIP See Fig. D8

$V_{CC} = +5 V$

Schottky Hex 3-State Bus/IF Driver, w/2 & 4 Line Enable (Inverting)

ECG
75186

14-Pin DIP See Fig. D6

$V_{CC} = +9 V$
 $V_{EE} = -9 V$

DTL Quad Line Driver

ECG
75189

14-Pin DIP See Fig. D6

$V_{CC} = +5 V$

DTL Quad Line Receiver

* I_O Max = Max Current Per Output

Package Outlines - See Page 1-367

Display Driver Circuits (cont'd)

<p>ECG 75450B 14-Pin DIP See Fig. D6 $V_{CC} = +5 V$</p> <p>Dual Peripheral (NAND) AND Driver</p>	<p>ECG 75451B 8-Pin DIP See Fig. D4 $V_{CC} = +5 V$</p> <p>Dual Peripheral AND Driver</p>	<p>ECG 75452B 8-Pin DIP See Fig. D4 $V_{CC} = +5 V$</p> <p>Dual Peripheral NAND Driver</p>
<p>ECG 75453B 8-Pin DIP See Fig. D4 $V_{CC} = +5 V$</p> <p>Dual Peripheral OR Driver</p>	<p>ECG 75454B 8-Pin DIP See Fig. D4 $V_{CC} = +5 V$</p> <p>Dual Peripheral NOR Driver</p>	<p>ECG $I_o \text{ Max}^*$ 75491B 50 mA 14-Pin DIP See Fig. D6 $V_{SS} = +20 V, V_{DD} = \text{GND}$</p> <p>4 Unit Darlington LED Segment Driver</p>
<p>ECG $I_o \text{ Max}^*$ 75493 25 mA 16-Pin DIP See Fig. D8 $V_{CC} = +5 V$ $V_{SS} = +8 V$ $V_{DD} = \text{GND}$</p> <p>4 Unit LED Segment Driver, w/Blanking</p>	<p>ECG $I_o \text{ Max}^*$ 75494 150 mA 16-Pin DIP See Fig. D8 $V_{CC} = +5 V$ $V_{DD} = \text{GND}$</p> <p>6 Unit LED Digit Driver, w/Blanking</p>	
<p>ECG $I_o \text{ Max}^*$ 75497 100 mA $V_{CC} = +6 V$ 16-Pin DIP See Fig. D8</p> <p>7 Unit LED Digit Driver</p>		

* $I_o \text{ Max}$ = Current Per Transistor

Microprocessor and Memory Circuits

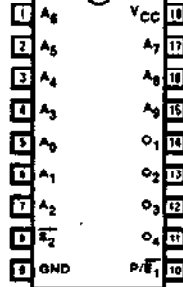
<p>ECG74S188 16-Pin DIP See Fig. D8 Schottky TTL 256 Bit (32 x 8) PROM, Open Collector Output, 35 nsec Max Access Time $V_{CC} = +5V$</p>	<p>ECG74S287 16-Pin DIP See Fig. D8 Schottky TTL 1K (256 x 4) PROM, 3-State Output, 50 nsec Max Access Time $V_{CC} = +5V$</p>	<p>ECG74S288 16-Pin DIP See Fig. D8 Schottky TTL 256 Bit (32 x 8) PROM, 3-State Output, 35 nsec Max Access Time $V_{CC} = +5V$</p>
<p>ECG74S387 16-Pin DIP See Fig. D8 Schottky TTL 1K (256 x 4) PROM, Open Collector Outputs, 50 nsec Max Access Time $V_{CC} = +5V$</p>	<p>ECG74S454 18-Pin DIP See Fig. D10 Schottky TTL 8K (2048 x 4) PROM, 3-State Output, 55 nsec Max Access Time $V_{CC} = +5V$</p>	<p>ECG74S472 20-Pin DIP See Fig. D12 Schottky TTL 4K (512 x 8) PROM, 3-State Output, 60 nsec Max Access Time $V_{CC} = +5V$</p>
<p>ECG74S473 20-Pin DIP See Fig. D12 Schottky TTL 4K (512 x 8) PROM, Open Collector Output, 60 nsec Max Access Time $V_{CC} = +5V$</p>	<p>ECG74S474 24-Pin DIP See Fig. D15 Schottky TTL 4K (512 x 8) PROM, 3-State Output, 65 nsec Max Access Time $V_{CC} = +5V$</p>	<p>ECG74S475 24-Pin DIP See Fig. D15 Schottky TTL 4K (512 x 8) PROM, Open Collector Output, 65 nsec Max Access Time $V_{CC} = +5V$</p>
<p>ECG74S478 24-Pin DIP See Fig. D15 Schottky TTL 8K (1024 x 8) PROM, 3-State Output, 60 nsec Max Access Time $V_{CC} = +5V$</p>	<p>ECG74S479 24-Pin DIP See Fig. D15 Schottky TTL 8K (1024 x 8) PROM, Open Collector Output, 60 nsec Max Access Time $V_{CC} = +5V$</p>	<p>ECG74S570 16-Pin DIP See Fig. D8 Schottky TTL 2K (512 x 4) PROM, Open Collector Output, 55 nsec Max Access Time $V_{CC} = +5V$</p>

Microprocessor and Memory Circuits (cont'd)

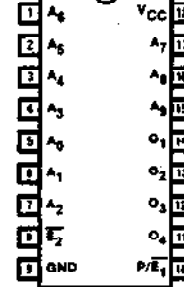
ECG74S571 16-Pin DIP See Fig. D8
Schottky TTL 2K (512 x 4) PROM, 3-State Output, 55 nsec Max Access Time
 $V_{CC} = +5V$



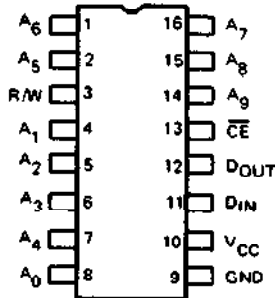
ECG74S572 18-Pin DIP See Fig. D10
Schottky TTL 4K (1024 x 4) PROM, Open Collector Output, 60 nsec Max Access Time
 $V_{CC} = +5V$



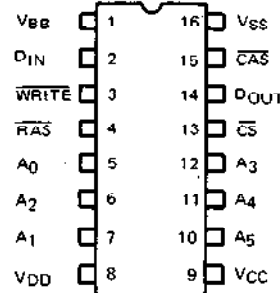
ECG74S573 18-Pin DIP See Fig. D10
Schottky TTL 4K (1024 x 4) PROM, 3-State Output, 60 nsec Max Access Time
 $V_{CC} = +5V$



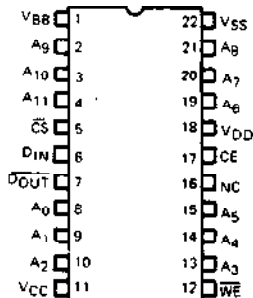
ECG2102 16-Pin DIP See Fig. D8
NMOS 1K Static RAM (SRAM), Organized 1K by 1 Bit, 350 nsec Max Access Time.
Single supply: $V_{CC} = +5V$



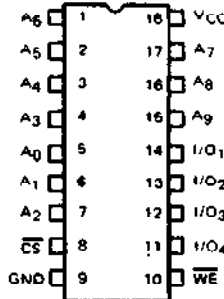
ECG2104 16-Pin DIP See Fig. D8
NMOS 4K Dynamic RAM (DRAM), Organized 4K by 1 Bit, 200 nsec Max Access Time. Triple Supply: $V_{CC} = +5V$, $V_{BB} = -5V$, $V_{DD} = +12V$, $V_{SS} = GND$



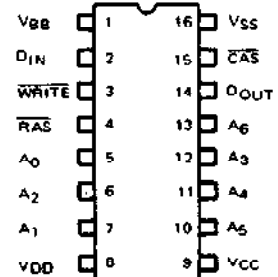
ECG2107 22-Pin DIP See Fig. D13
NMOS 4K Dynamic RAM (DRAM), Organized 4K by 1 Bit, 200 nsec Max Access Time. Triple Supply: $V_{CC} = +5V$, $V_{BB} = -5V$, $V_{DD} = +12V$, $V_{SS} = GND$



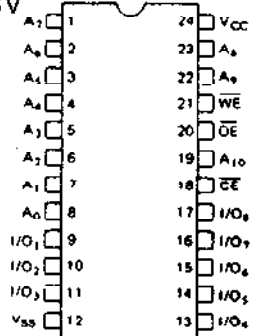
ECG2114 18-Pin DIP See Fig. D10
NMOS 4K Static RAM (SRAM), Organized 1K by 4 Bits, 300 nsec Max Access Time
Single Supply: $V_{CC} = +5V$



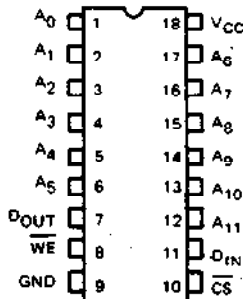
ECG2117 16-Pin DIP See Fig. D8
NMOS 16K Dynamic RAM (DRAM), Organized 16K by 1 Bit, 200 nsec Max Access Time. Triple Supply: $V_{CC} = +5V$, $V_{BB} = -5V$, $V_{DD} = +12V$, $V_{SS} = GND$



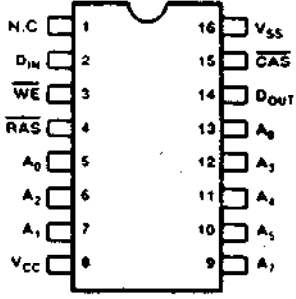
ECG2128 24-Pin DIP See Fig. D15
NMOS 16K Static RAM (SRAM), Organized 2K by 8 Bits, 150 nsec Max Access Time
 $V_{CC} = +5V$



ECG2147 18-Pin DIP See Fig. D10
NMOS 4K Static RAM (SRAM), Organized 4K by 1 Bit, 55 nsec Max Access Time.
Single Supply: $V_{CC} = +5V$



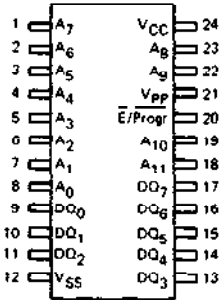
ECG2164 16-Pin DIP See Fig. D8
NMOS 64K Dynamic RAM (DRAM) Organized 64K by 1 Bit, 150 nsec Max Access Time, $V_{CC} = +5V$



Microprocessor and Memory Circuits (cont'd)

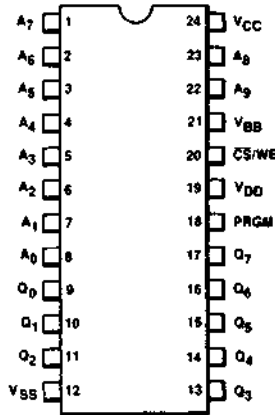
ECG2532 24-Pin DIP See Fig. D16

NMOS 32K UV EPROM, Organized 4K by 8 Bits, 300 nsec Max Access Time. Single Supply: $V_{CC} = +5V$, $V_{PP} = +25V$



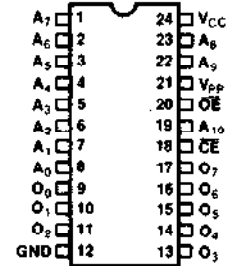
ECG2708 24-Pin DIP See Fig. D16

NMOS 8K UV EPROM, Organized 1K by 8 Bits, 450 nsec Max Access Time. Triple Supply: $V_{CC} = +5V$, $V_{BB} = -5V$, $V_{DD} = +12V$, $V_{SS} = GND$



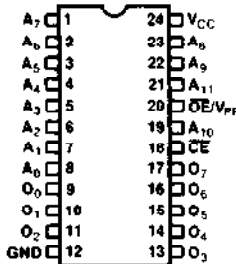
ECG2716 24-Pin DIP See Fig. D16

NMOS 16K UV EPROM, Organized 2K by 8 Bits, 450 nsec Max Access Time. Single Supply: $V_{CC} = +5V$, $V_{PP} = +25V$



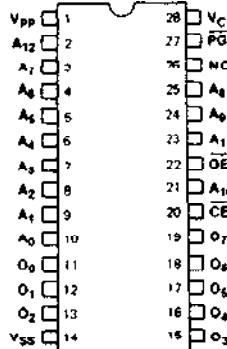
ECG2732 24-Pin DIP See Fig. D16

NMOS 32K UV EPROM, Organized 4K by 8 Bits, 200 nsec Max Access Time. Single Supply: $V_{CC} = +5V$, $V_{PP} = +21V$



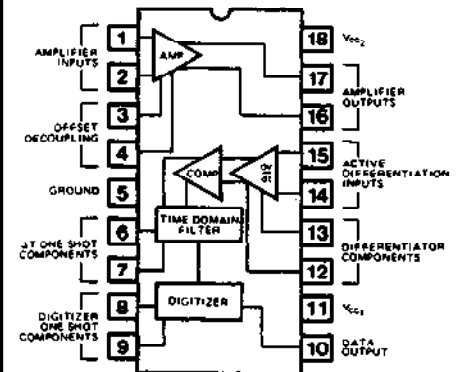
ECG2764 28-Pin DIP See Fig. D18-1

NMOS 64K EPROM, Organized 8K by 8 Bits, 200 nsec Max Access Time. $V_{CC} = +5V$, $V_{PP} = +12V$



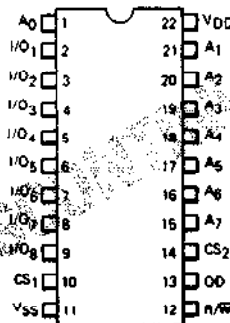
ECG3470 18-Pin DIP See Fig. D11

Floppy Disk Read Amplifier System. $V_{CC1} = +5V$, $V_{CC2} = +10V$ to $+14V$



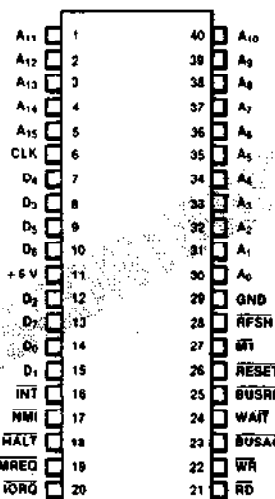
ECG3539 22-Pin DIP See Fig. D13

NMOS 2K Static RAM (SRAM), Organized 256 Words by 8 Bits, 500 nsec Max Access Time. Single Supply: $V_{CC} = +5V$



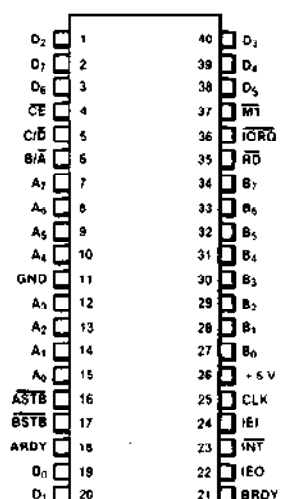
ECG3880 40-Pin DIP See Fig. D19

NMOS 8-Bit Microprocessor (MPU), 4 MHz Max Clock Rate. $V_{CC} = +5V$



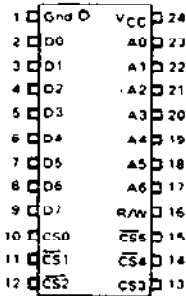
ECG3881 40-Pin DIP See Fig. D19

NMOS Parallel I/O Interface Adapter (PIO), 4 MHz Max Clock Rate. $V_{CC} = +5V$

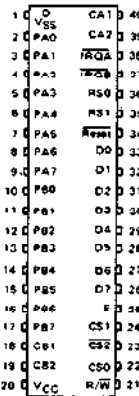


Microprocessor and Memory Circuits (cont'd)

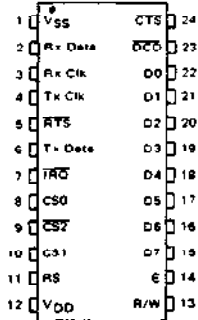
ECG6810 24-Pin DIP See Fig. D15
 NMOS 1K Static RAM (SRAM), Organized
 128 Words by 8 Bits, 450 nsec Max Access
 Time, $V_{CC} = +5 V$



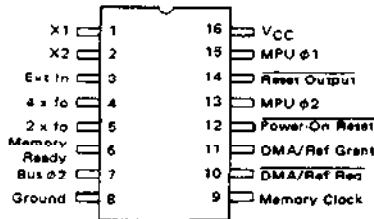
ECG6821 40-Pin DIP See Fig. D19
 NMOS Peripheral Interface Adapter (PIA),
 1 MHz Max Clock Rate,
 $V_{CC} = +5 V$



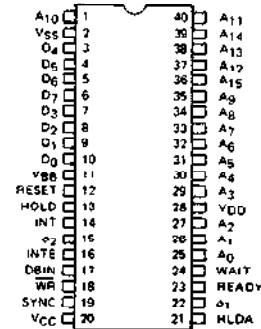
ECG6850 24-Pin DIP See Fig. D15
 NMOS Asynchronous Communications Inter-
 face Adapter (ACIA), 1 MHz Max Clock
 Rate, $V_{CC} = +5 V$



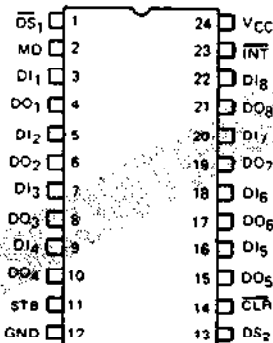
ECG6875 16-Pin DIP See Fig. D8
 Schottky Two-Phase Clock Generator/Driver, $V_{CC} = +5 V$



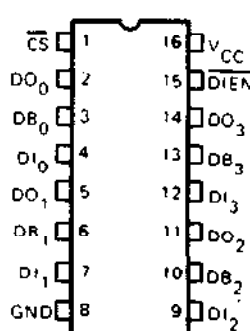
ECG8080A 40-Pin DIP See Fig. D19
 NMOS 8-Bit Microprocessor (MPU), 2 MHz Max Clock Rate,
 $V_{CC} = +5 V$, $V_{BB} = -5 V$, $V_{DD} = +12 V$



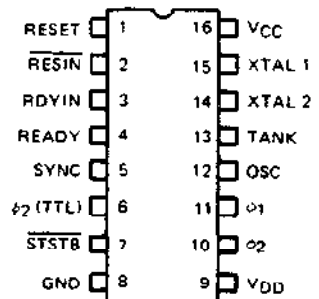
ECG8212 24-Pin DIP See Fig. D15
 Schottky 8-Bit Input/Output Port.
 $V_{CC} = +5 V$



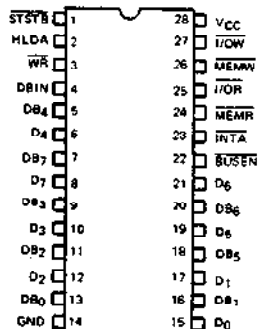
ECG8216 16-Pin DIP See Fig. D8
 Schottky 4-Bit Parallel Bidirectional Non-
 Inverting Bus Driver, $V_{CC} = +5 V$



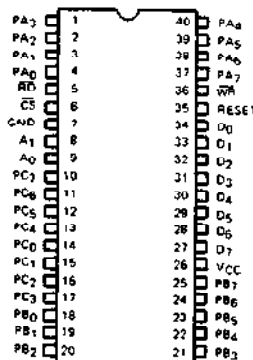
ECG8224 16-Pin DIP See Fig. D8
 Schottky Clock Generator/Driver for 8080A
 MPU Systems, $V_{CC} = +5 V$



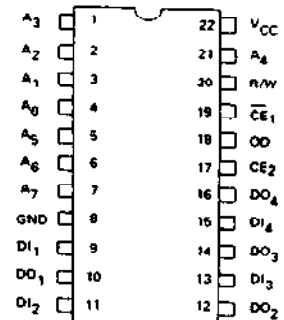
ECG8228 28-Pin DIP See Fig. D17
 Schottky System Controller and Bus Driver
 for 8080A MPU Systems, $V_{CC} = +5 V$



ECG8255 40-Pin DIP See Fig. D19
 NMOS Programmable Peripheral Interface,
 $V_{CC} = +5 V$

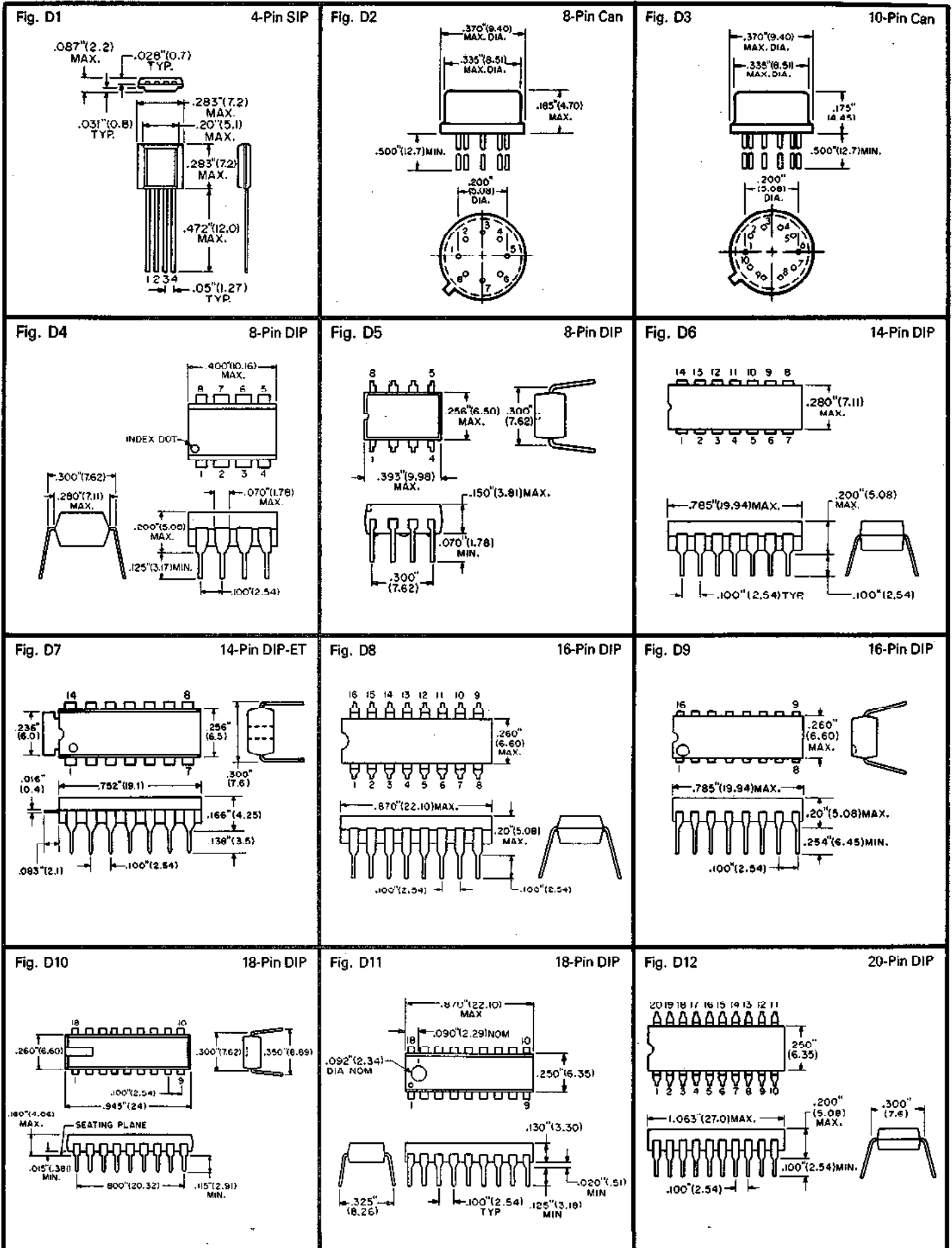


ECG85101 22-Pin DIP See Fig. D13
 CMOS Static 1K RAM, Organized 256
 Words by 4 Bits, 450 nsec Max Access
 Time, $V_{CC} = +5 V$



Package Outlines - See Page 1-367

Digital, Display Driver, Microprocessor and Memory IC Outlines



Dual inline plastic cases may have a round indentation on top surface for indexing in place of notched edge.

Digital, Display Driver, Microprocessor and Memory IC Outlines (cont'd)

Fig. D13

22-Pin DIP

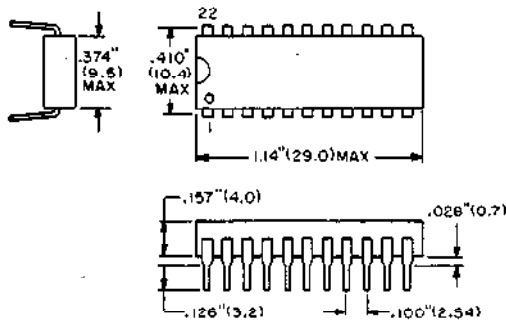


Fig. D14

24-Pin DIP

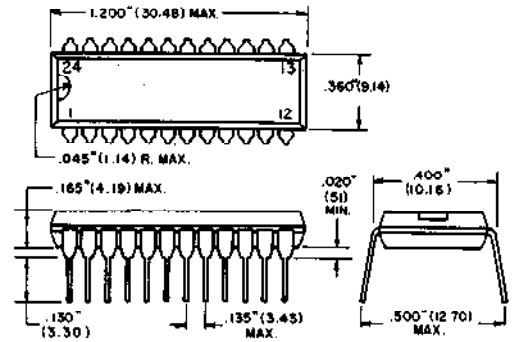
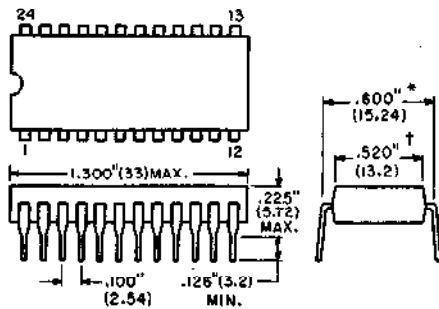


Fig. D15

24-Pin DIP



Note: ECG74HC154 * .300 (7.62), † .260 (6.6)

Fig. D16

24-Pin DIP

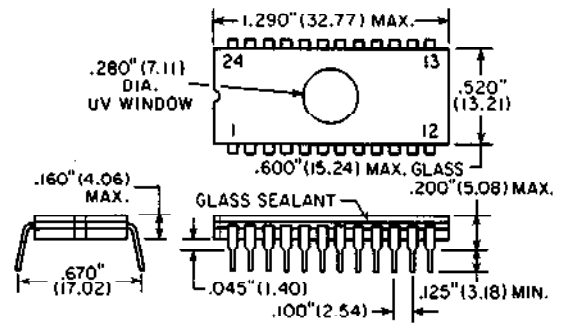


Fig. D17

28-Pin DIP

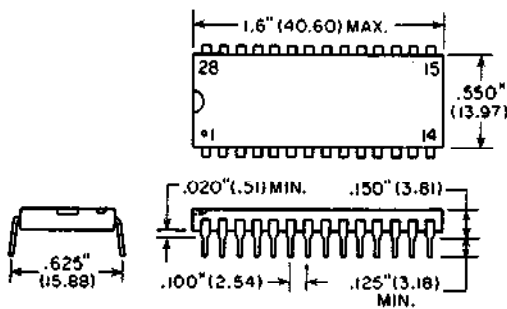


Fig. D18

28-Pin DIP

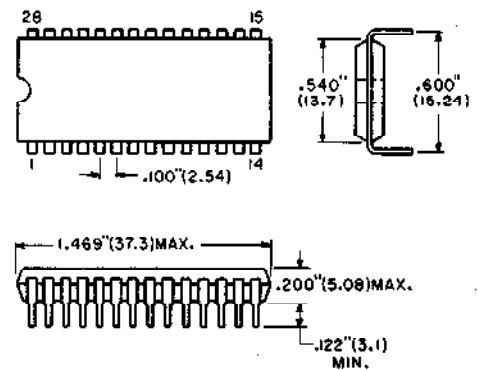


Fig. D18-1

28-Pin DIP

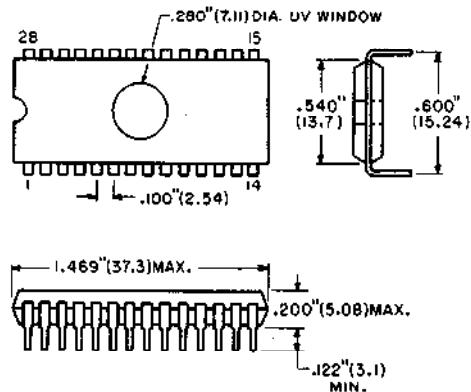
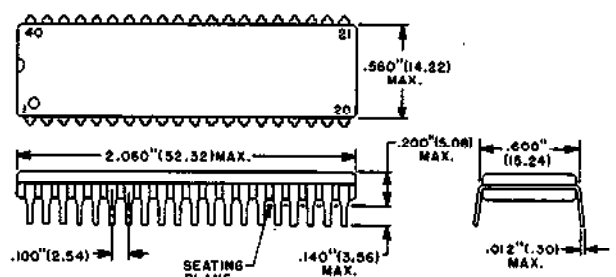


Fig. D19

40-Pin DIP



Dual inline plastic cases may have a round indentation on top surface for indexing in place of notched edge.

Digital, Display Driver, Microprocessor and Memory IC Outlines (cont'd)

Fig. D21

16-Pin SOIC

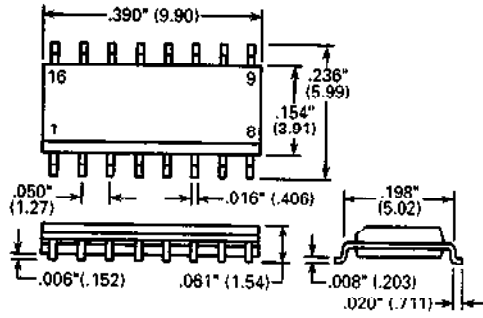
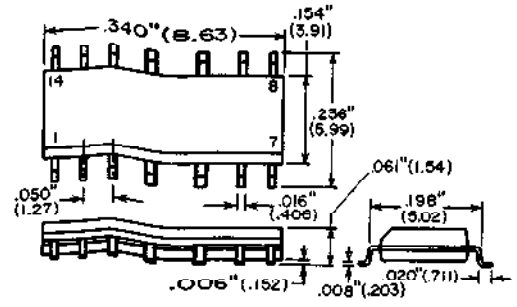


Fig. D22

14-Pin SOIC



Accessories

Antistatic Conductive Foam

A-Stat™ 2 3' x 5' x 1/4" (2/Pkg)
A-Stat™ 12 12' x 12' x 1/4"

Hardware

ECG426	Metric Hardware Kit of 3mm, Nuts, Bolts, etc.	---
ECG432	Thread Converter, 3/8"-24 to 1/2"-20, for Stud Type Packages	AW1
ECG433	HV Splice for CRT Anode Leads, 40 kV Insulation, Does Require Soldering. (Requires no additional insulators or tape.)	AW2
ECG447A	Heat Sink Clamp Assembly for ECG446A	AH21
ECG447B	Heat Sink Clamp Assembly for ECG446A	AH21
ECG447C	Heat Sink Clamp Assembly for ECG446C	AH22
ECG449	Mounting Clip for TO-220 Case Style	AW3
ECG449A	Mounting Clip for TO-126 and SOT-82 Case Styles	AW3-1

Heat Sinks and Mounting Clamps

ECG400	Heat Sink for TO-5 Style Package (2/Pkg)	AH6
ECG401	Heat Sink for TO-5 Style Package (2/Pkg)	AH7
ECG402	Heat Sink for Plastic Power Packages (2/Pkg)	AH12
ECG403	Heat Sink for Plastic Power Packages (2/Pkg)	AH11
ECG404	Heat Sink Kit for TO-66 Style Package - Includes Base, Top Piece, 2 - 6/32 Screws and Nuts	AH9
ECG405	Heat Sink Kit for TO-3 Style Package - Includes Base, Top Piece, 2 - 6/32 Screws and Nuts	AH10
ECG406	Heat Sink for TO-202 Style Package (2/Pkg)	AH2
ECG411	Stud-Mount Heat Sink for TO-5 and TO-39 Style Package (2/Pkg)	AH4
ECG412	Heat Sink for TO-18 Style Package (2/Pkg)	AH5
ECG427	Heat Sink Kit for TO-5 and TO-39 Style Package - Includes Heat Sink, 2 Bushings, 1 Mica	AH1
ECG440A	Heat Sink, Undrilled Mounting Surface	AH13
ECG440B	Heat Sink, Drilled for TO-3, TO-48, TO-66, TO-126, TO-127, TO-220, DO-5	AH13
ECG440C	Heat Sink, Drilled for TO-3, TO-15, TO-6, TO-36, TO-64, DO-4	AH13
ECG440D	Heat Sink, Undrilled Mounting Surface	AH13-1
ECG441A	Heat Sink, Drilled for a Solid State Relay and 1 and 2 Thyristor Mod, Bridge Rectifier	AH14
ECG441B	Heat Sink, Undrilled Mounting Surface	AH14
ECG442A	Heat Sink, Undrilled Mounting Surface, for PCB Mounting	AH15
ECG442B	Heat Sink, Undrilled Mounting Surface, for PCB Mounting	AH15-1
ECG442C	Heat Sink, Undrilled Mounting Surface, for PCB Mounting	AH16
ECG443	Heat Sink, Undrilled Mounting Surface, for PCB Mounting (TO-3, TO-36, TO-66)	AH17
ECG444	Heat Sink, Undrilled Mounting Surface, for Stud Mounted Devices	AH18
ECG445	Heat Sink TO-92 Style (2/Pkg)	AH8
ECG446A	Heat Sink for 1.65" Dia. and 2.29" Dia. Hockey Puck Packages, 2 Required	AH19
ECG446C	Heat Sink for 2.90" Dia. Hockey Puck Packages, 2 Required	AH20
ECG447A	Heat Sink Clamp Assembly for ECG446A	AF21
ECG447B	Heat Sink Clamp Assembly for ECG446A	AH21
ECG447C	Heat Sink Clamp Assembly for ECG446C	AH22
ECG448B	Heat Sink for 14/16-Pin DIP (2/Pkg)	AH23
ECG448E	Heat Sink for 24-Pin DIP (2/Pkg)	AH24

ECG448G	Heat Sink for 40-Pin DIP (2/Pkg)	AH25
ECG449	Mounting Clip for TO-220 Case Style (2/Pkg)	AW3
ECG449A	Mounting Clip for TO-126 and SOT-82 Case Styles	AW3-1
ECG450A	Heat Sink for 14 or 16-Pin DIP	AH26
ECG493	Heat Sink for TO-126 Style	AH27
ECG494	Heat Sink for TO-220 Style	AH28
ECG495	Heat Sink for TO-3P, TO-3PJ, TO-3PL, TO-3PM, TO-202M, TO-218, TO-220, TO-220F, TO-220J, TO-247 Style	AH29
ECG496	Heat Sink for TO-220, TO-220F, TO-220J, TO-220FM Style	AH30
ECG497	Heat Sink for TO-3P, TO-3PJ, TO-3PM, TO-202M, TO-218, TO-220, TO-220J, TO-247 Style	AH31
ECG498	Heat Sink for TO-3P, TO-3PJ, TO-3PM, TO-202M, TO-220, TO-220F, TO-220J, TO-247 Style	AH32

Semiconductor Insulators and Kits (Kit Includes Mica Insulator and Nylon Bushings)

ECG413	Insulator Kit for TO-3 Style Package
ECG414	Insulator Kit for TO-36 Style Package with Flat Washer, Shaker Proof Lug, Nut and Plastic Insulating Tube
ECG415	Insulator Kit for TO-66 Style Package
ECG422	Insulator Kit for TO-220 Style Package
ECG425A-H, J-L	Thermal Conductive Insulators for TO-3, TO-66, TO-126, TO-220, TO-36, TO-3P, TIP-36, DO-4, and DO-5
ECG438	Insulator Kit for DO-4 and TO-64. Contents are: DO4 MICA; DO4 Shoulder Bushing; #10 Flat Washer; #10 Lock Washer*; #10 Solder Lug; 10-32 Hex Nut
ECG439	Insulator Kit for DO-5 and TO-48. Contents are: DO5 MICA; DO5 Shoulder Bushing; 1/4" Flat Washer; 1/4" Lock Washer*; 1/4" Solder Lug; 1/4-28 Hex Nut

Semiconductor Sockets

ECG201	Connector for Cartridge LED/Lamp Indicator (2/Pkg)	AS8
ECG209	Standard Socket for TO-3 Package (2/Pkg)	AS9
ECG407	8-Pin Can, IC Socket (2/Pkg)	AS6
ECG408	10-Pin Can, IC Socket (2/Pkg)	AS7
ECG409	14-Pin DIP, IC Socket (2/Pkg)	AS14
ECG416	16-Pin DIP, IC Socket (2/Pkg)	AS15
ECG417	3-Pin Transistor Socket for TO-18 Package (2/Pkg)	AS2
ECG419	3-Pin Transistor Socket for TO-5, TO-39 Package (2/Pkg)	AS3
ECG421	Standard Socket for TO-66 Package (2/Pkg)	AS10
ECG423	8-Pin DIP, IC Socket (2/Pkg)	AS13
ECG428	24-Pin DIP, IC Socket (2/Pkg)	AS19
ECG429	28-Pin DIP, IC Socket (2/Pkg)	AS20
ECG430	40-Pin DIP, IC Socket (1/Pkg)	AS21
ECG431	Japanese Style Socket for TC-9 Package (2/Pkg)	AS11
ECG435K28	28-Pin DIP, IC Socket, .070" Centers (2/Pkg)	AS35
ECG435K30	30-Pin DIP, IC Socket, .070" Centers (2/Pkg)	AS36
ECG435K42	42-Pin DIP, IC Socket, .070" Centers (1/Pkg)	AS37
ECG435K52	52-Pin DIP, IC Socket, .070" Centers (1/Pkg)	AS39
ECG435K64	64-Pin DIP, IC Socket, .070" Centers (1/Pkg)	AS38
ECG435P6	6-Pin DIP, IC Socket (2/Pkg)	AS12
ECG435P18	18-Pin DIP, IC Socket (2/Pkg)	AS16
ECG435P20	20-Pin DIP, IC Socket (2/Pkg)	AS17
ECG435P22	22-Pin DIP, IC Socket (2/Pkg)	AS18
ECG435P42	42-Pin DIP, IC Socket (1/Pkg)	AS40
ECG435Q14	14-Pin DIP, IC Socket for PC Board with Staggered Holes (2/Pkg)	AS22
ECG435Q16	16-Pin DIP, IC Socket for PC Board with Staggered Holes (2/Pkg)	AS23
ECG436W8	8-Pin DIP, IC Socket, Wire Wrap Leads (2/Pkg)	AS24
ECG436W14	14-Pin DIP, IC Socket, Wire Wrap Leads (2/Pkg)	AS25
ECG436W16	16-Pin DIP, IC Socket, Wire Wrap Leads (2/Pkg)	AS26

* Alternate: Solder Lug with Internal Lock
™ A-Stat is a trademark of Philips ECG

Accessories (cont'd)

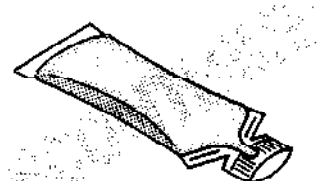
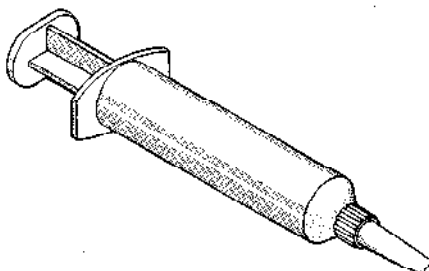
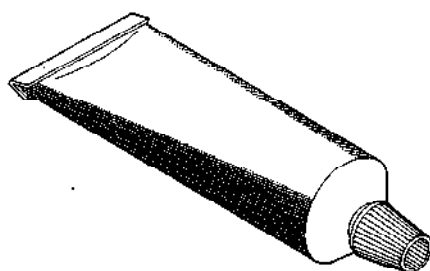
Semiconductor Sockets (cont'd)

Part No.	Description	Fig. No.	Part No.	Description	Fig. No.
ECG436W18	18-Pin DIP, IC Socket, Wire Wrap Leads (2/Pkg)	AS27	ECG437X18	Crystal Socket for HC-18 Case with .017" Diameter Cut Leads	AS33
ECG436W20	20-Pin DIP, IC Socket, Wire Wrap Leads (1/Pkg)	AS28	ECG437X33	Crystal Socket for HC-33 Case with .030" Diameter Cut Leads	AS34
ECG436W22	22-Pin DIP, IC Socket, Wire Wrap Leads (1/Pkg)	AS29	ECG600L68	68-Pin, PLCC Socket (1/Pkg)	AS41
ECG436W24	24-Pin DIP, IC Socket, Wire Wrap Leads (1/Pkg)	AS30			
ECG436W26	26-Pin DIP, IC Socket, Wire Wrap Leads (2/Pkg)	AS31			
ECG436W40	40-Pin DIP, IC Socket, Wire Wrap Leads (1/Pkg)	AS32			

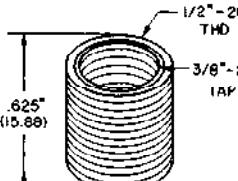
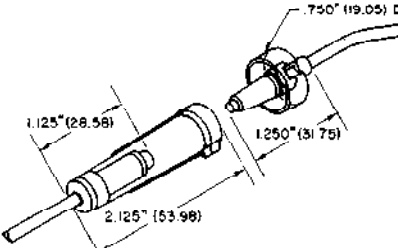
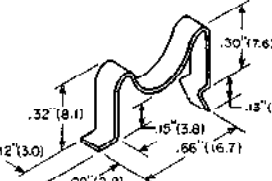
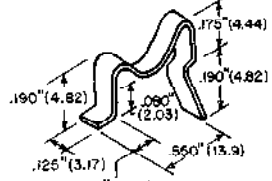
Thermal Compound and Adhesive/Sealant

Part No.	Description	Fig. No.
ECG424	Heat Sink Compound, 1-oz., in Plunger Tube	AC2
ECG434	Non-Corrosive Adhesive/Sealant, 2-oz., Squeeze Tube	AC3

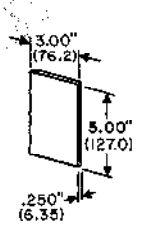
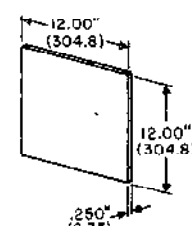
Accessory Outlines Accessories

<p>ECG303 Fig. AC1 Single Application, Non-Silicone Heat Sink Compound, 1 gram (Zinc Oxide Filler)</p> 	<p>ECG424 Fig. AC2 Non-Silicone Heat Sink Compound, 1-oz., in Plunger Tube (Zinc Oxide Filler)</p> 	<p>ECG434 Fig. AC3 Non-Corrosive Adhesive/Sealant, 2-oz., Squeeze Tube</p> 
---	---	--

Hardware

<p>ECG432 Fig. AW1 Thread Converter for Stud Type Packages</p> 	<p>ECG433 Fig. AW2 HV Splice for CRT Anode Leads (40 kV Insulated)</p> 	<p>ECG449 Fig. AW3 Mounting Clip for TO-220 Case Style</p> 	<p>ECG449A Fig. AW3-1 Mounting Clip for TO-126 and SOT-82 Case Styles</p> 
---	---	--	---

Foam

<p>A-STAT™ 2 Fig. AF1 Antistatic Conductive Foam for Storage of Static Sensitive Semiconductors —</p> <ul style="list-style-type: none"> • Carbon Impregnated • High Density • Non-Corrosive <p>Surface Resistivity = 5 Ohms per Sq. Foot Static Decay = 3 μsec to less than 1 V Dimensions = 3" x 5" x 1/4" 2 Pieces Per Package</p>  <p>TM - A-STAT is a trademark of Philips ECG</p>	<p>A-STAT™ 12 Fig. AF2 Antistatic Conductive Foam for Storage of Static Sensitive Semiconductors —</p> <ul style="list-style-type: none"> • Carbon Impregnated • High Density • Non-Corrosive <p>Surface Resistivity = 5 Ohms per Sq. Foot Static Decay = 3 μsec to less than 1 V Dimensions = 12" x 12" x 1/4"</p>  <p>TM - A-STAT is a trademark of Philips ECG</p>
---	---

Accessory Outlines (cont'd)

Heat Sinks

ECG400 Fig. AH6
Heat Sink for TO-5 Style, $R\theta = 46^{\circ}\text{C/W}$

ECG401 Fig. AH7
Heat Sink Kit for TO-5 Style, $R\theta = 35^{\circ}\text{C/W}$

ECG402 Fig. AH12
Heat Sink for Plastic Power Transistor (TO-220, TO-202, TO-126, TO-127), $R\theta = 17^{\circ}\text{C/W}$

ECG403 Fig. AH11
Heat Sink for Plastic Power Transistor (TO-220, TO-202, TO-126, TO-127), $R\theta = 20^{\circ}\text{C/W}$

ECG404 Fig. AH9
Heat Sink Kit for TO-66 Style (Base, Top Piece, 2-6/32 Screws and Nuts), $R\theta = 14.5^{\circ}\text{C/W}$

ECG405 Fig. AH10
Heat Sink Kit for TO-3 Style (Base, Top Piece, 2-6/32 Screws and Nuts), $R\theta = 11^{\circ}\text{C/W}$

ECG406 Fig. AH2
Heat Sink for TO-202 Style, $R\theta = 25^{\circ}\text{C/W}$

ECG412 Fig. AH5
Heat Sink for TO-18 and TO-92 Style, $R\theta = 92^{\circ}\text{C/W}$

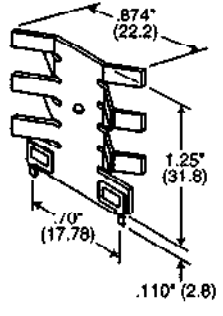
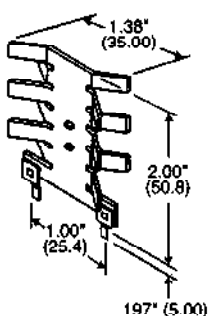
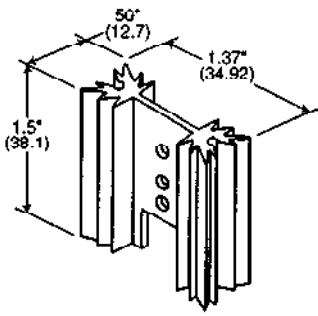
ECG445 Fig. AH8
Heat Sink for TO-92 Style, $R\theta = 80^{\circ}\text{C/W}$

ECG493 Fig. AH27
Heat Sink for TO-126 Style

ECG494 Fig. AH28
Heat Sink for TO-220 Style, $R\theta = 7^{\circ}\text{C/W}$

ECG495 Fig. AH29
Heat Sink for TO-3P, TO-3PJ, TO-3PL, TO-3PM, TO-202M, TO-218, TO-220, TO-220F, TO-220J, TO-247 Style, $R\theta = 5^{\circ}\text{C/W}$

Accessory Outlines (cont'd) Heat Sinks (cont'd)

<p>ECG496 Fig. AH30 Heat Sink for TO-220, TO-220F, TO-220J, TO-220FM Style, $RO = 8^{\circ}C/W$</p> 	<p>ECG497 Fig. AH31 Heat Sink for TO-3P, TO-3PJ, TO-3PM, TO-202M, TO-218, TO-220, TO-220J, TO-247 Style, $RO = 10^{\circ}C/W$</p> 	<p>ECG498 Fig. AH32 Heat Sink for TO-3P, TO-3PJ, TO-3PM, TO-202M, TO-220, TO-220F, TO-220J, TO-247 Style, $RO = 5^{\circ}C/W$</p> 

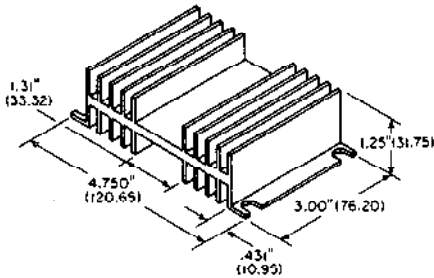
Accessory Outlines (cont'd)

Heat Sinks (cont'd)

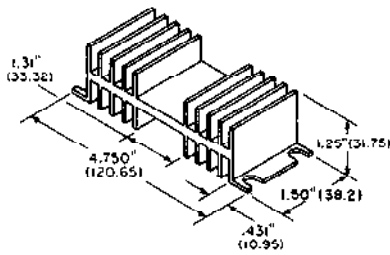
ECG440A Fig. AH13
Heat Sink, Undrilled Mounting Surface

ECG440B
Heat Sink, Drilled for TO-3, TO-48, TO-66,
TO-126, TO-127, TO-220, DO-5

ECG440C
Heat Sink, Drilled for TO-3, TO-15, TO-6,
TO-36, TO-64, DO-4
 $R\theta = 1.8^\circ\text{C/W}$

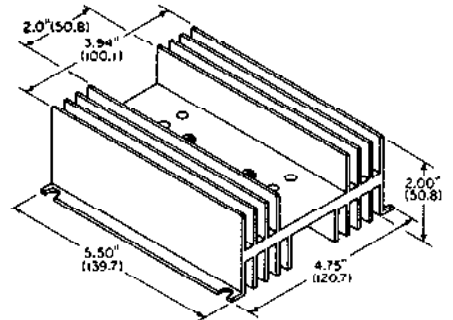


ECG440D Fig. AH13-1
Heat Sink, Undrilled Mounting Surface,
 $R\theta = 2.5^\circ\text{C/W}$

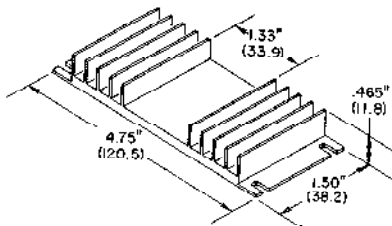


ECG441A Fig. AH14
Heat Sink, Drilled for a Solid State Relay
and 1 or 2 Thyristor Mod, Bridge Rectifier

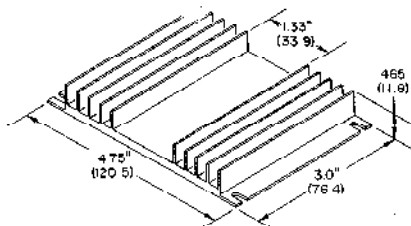
ECG441B
Heat Sink, Undrilled Mounting Surface,
 $R\theta = 1.0^\circ\text{C/W}$



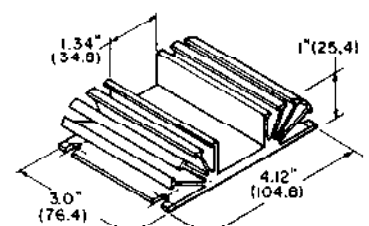
ECG442A Fig. AH15
Heat Sink, Undrilled for PCB Mounting,
 $R\theta = 4.5^\circ\text{C/W}$
Mounting Slots .093"R (2.42)
1.00" (25.4) C_L to C_L



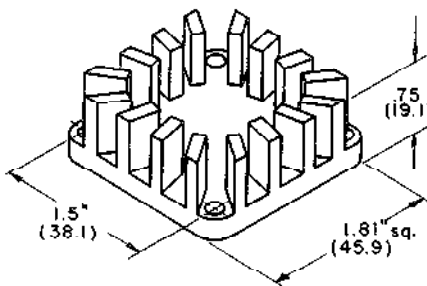
ECG442B Fig. AH15-1
Heat Sink, Undrilled for PCB Mounting,
 $R\theta = 3.5^\circ\text{C/W}$
Mounting Slots .093"R (2.42)
2.50" (63.5) C_L to C_L



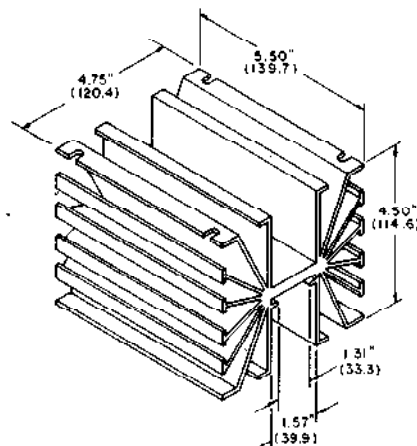
ECG442C Fig. AH16
Heat Sink, Undrilled for PCB Mounting,
 $R\theta = 2^\circ\text{C/W}$
Mounting Slots .095"R (2.42)
2.50" (63.5) C_L to C_L



ECG443 Fig. AH17
Heat Sink, Undrilled for PCB Mounting,
 $R\theta = 6.25^\circ\text{C/W}$
Mounting Holes, .15"R (3.8)
1.5" (38.1) C_L to C_L



ECG444 Fig. AH18
Heat Sink, Undrilled for Stud Mounted
Devices, $R\theta = .55^\circ\text{C/W}$
Mounting Slots .14"R (3.5)
4.52" (114.3) C_L to C_L



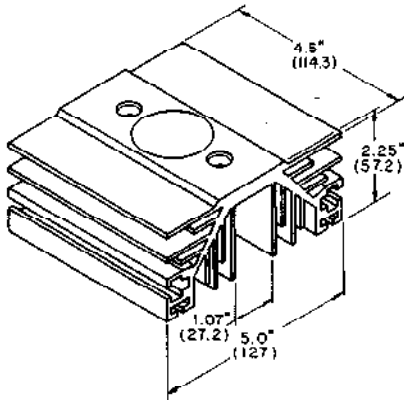
Accessory Outlines (cont'd)

Heat Sinks (cont'd)

ECG446A

Fig. AH19

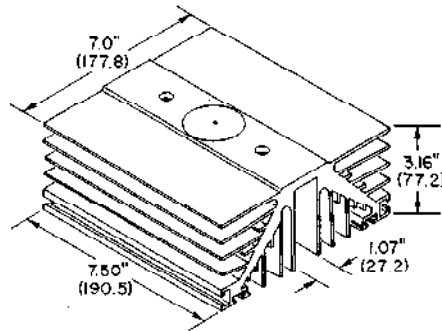
Heat Sink for 1.65" Dia. and 2.29" Dia. Hockey Puck Packages, $R\theta = .5^{\circ}\text{C/W}$, Package Mount .128 (3.25) Dia. Thru Chamfer 1.87 (4.75) Dia., .031 (.762) Deep Mounting Clamp Holes .437" (11.07) Dia. 2.75" (69.8) C_L to C_L



ECG446C

Fig. AH20

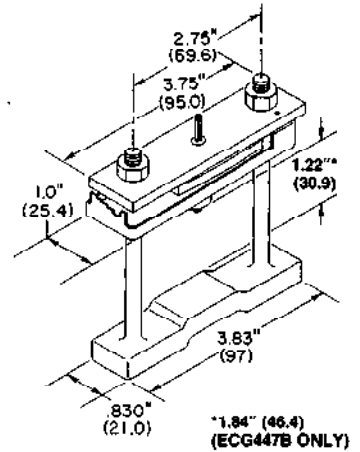
Heat Sink for 2.90" Dia. Hockey Puck Packages, $R\theta = .24^{\circ}\text{C/W}$ Package Mount .128 (3.25) Dia. Thru Chamfer 1.87 (4.75) Dia., .031 (.762) Deep Mounting Clamp Holes .437" (11.07) Dia. 4.0" (101.6) C_L to C_L



ECG447A, ECG447B*

Fig. AH21

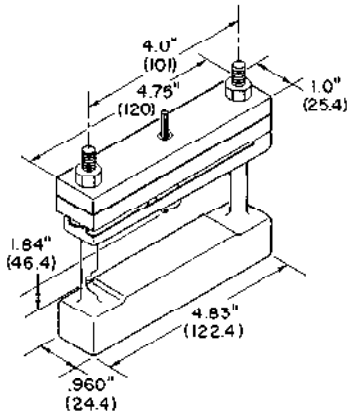
Heat Sink Clamp Assembly for ECG446A



ECG447C

Fig. AH22

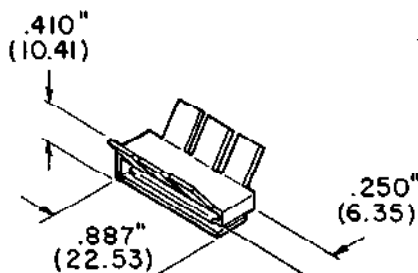
Heat Sink Clamp Assembly for ECG446C



ECG448B

Fig. AH23

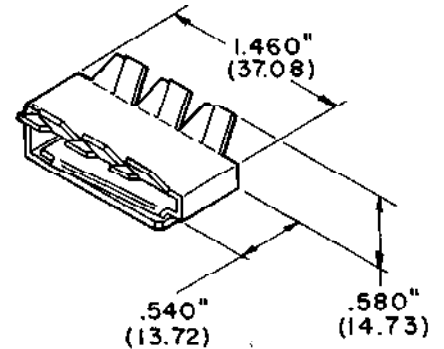
Heat Sink for 14/16-Pin DIP, $R\theta = 20^{\circ}\text{C/W}$



ECG448E

Fig. AH24

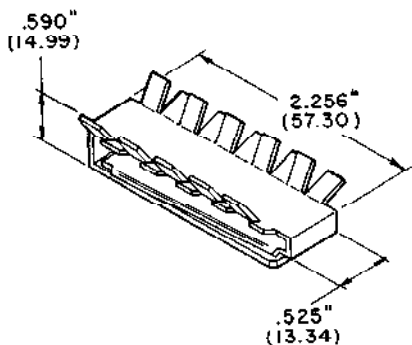
Heat Sink for 24-Pin DIP, $R\theta = 20^{\circ}\text{C/W}$



ECG448G

Fig. AH25

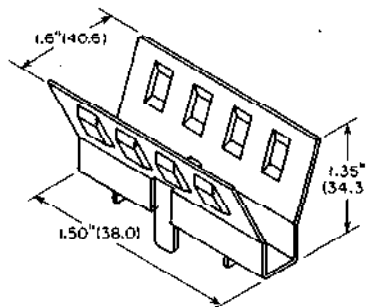
Heat Sink for 40-Pin DIP, $R\theta = 18^{\circ}\text{C/W}$



ECG450A

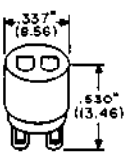
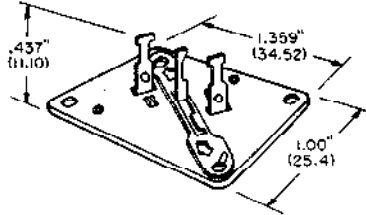
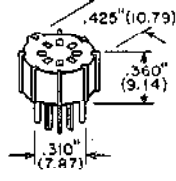
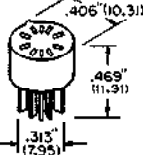
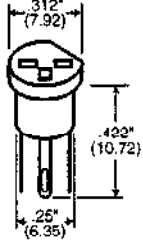
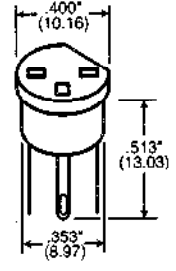
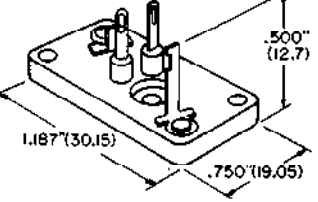
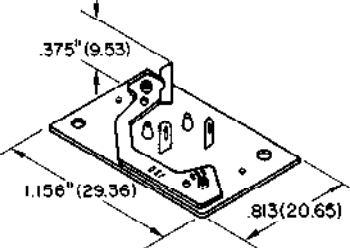
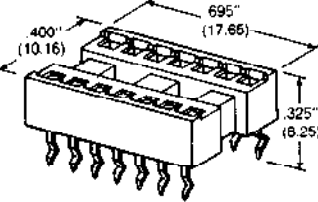
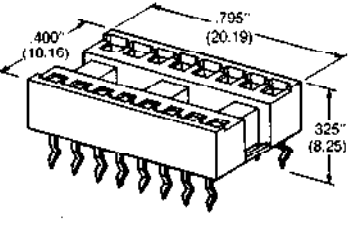
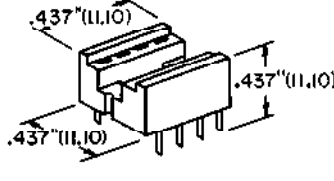
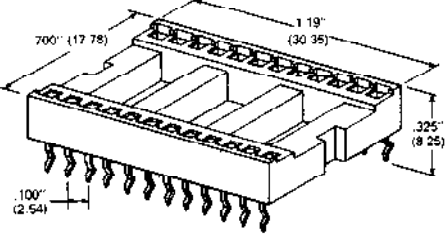
Fig. AH26

Heat Sink for:
ECG740A
ECG804
ECG810A
ECG862
ECG990
 $R\theta = 14^{\circ}\text{C/W}$



Accessory Outlines (cont'd)

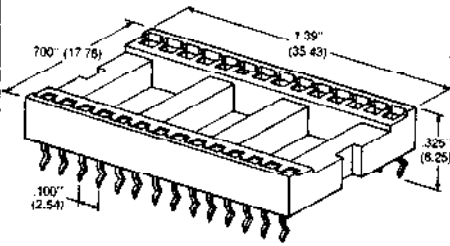
Sockets

<p>ECG201 Fig. AS6 Connector for Cartridge LED/Lamp Indicator</p>  <p>Dimensions: .337" (8.56) width, .530" (13.46) height.</p>	<p>ECG209 Fig. AS9 Standard Socket for TO-3 Package</p>  <p>Dimensions: .437" (11.10) height, 1.359" (34.52) width, 1.00" (25.4) length.</p>	<p>ECG407 Fig. AS6 8-Pin Can, IC Socket</p>  <p>Dimensions: .425" (10.79) width, .360" (9.14) height, .310" (7.87) length.</p>
<p>ECG408 Fig. AS7 10-Pin Can, IC Socket</p>  <p>Dimensions: .406" (10.31) width, .469" (11.91) height, .313" (7.95) length.</p>	<p>ECG417 Fig. AS2 3-Pin Transistor Socket for TO-18 Package</p>  <p>Dimensions: .312" (7.92) width, .429" (10.72) height, .25" (6.35) length. PIN WIDTH .072" (1.83)</p>	<p>ECG419 Fig. AS3 3-Pin Transistor Socket for TO-5 Package</p>  <p>Dimensions: .400" (10.16) width, .513" (13.03) height, .353" (8.97) length. PIN WIDTH .072" (1.83)</p>
<p>ECG421 Fig. AS10 Standard Socket for TO-66 Package</p>  <p>Dimensions: 1.187" (30.15) width, .750" (19.05) length, .500" (12.7) height.</p>	<p>ECG431 Fig. AS11 Japanese Style TC-9 Socket</p>  <p>Dimensions: .375" (9.53) height, 1.156" (29.36) width, .813" (20.65) length.</p>	<p>ECG409 Fig. AS14 14-Pin DIP, IC Socket</p>  <p>Dimensions: .400" (10.16) width, .695" (17.65) length, .325" (8.25) height.</p>
<p>ECG416 Fig. AS15 16-Pin DIP, IC Socket</p>  <p>Dimensions: .400" (10.16) width, .795" (20.19) length, .325" (8.25) height.</p>	<p>ECG423 Fig. AS13 8-Pin DIP, IC Socket</p>  <p>Dimensions: .437" (11.10) width, .437" (11.10) height.</p>	<p>ECG426 Fig. AS19 24-Pin DIP, IC Socket, .100" Centers</p>  <p>Dimensions: .700" (17.78) width, .119" (30.35) length, .325" (8.25) height, .100" (2.54) pin spacing.</p>

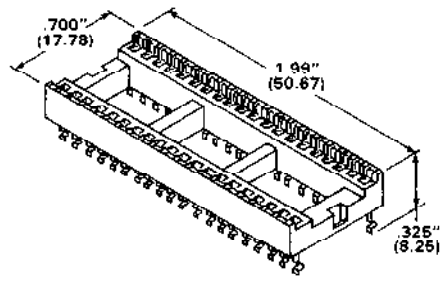
Accessory Outlines (cont'd)

Sockets (cont'd)

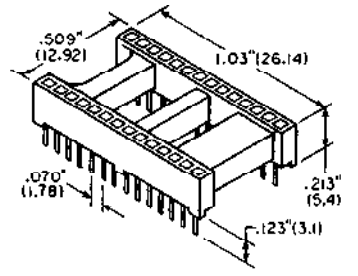
ECG429 Fig. AS20
28-Pin DIP, IC Socket, .100" Centers



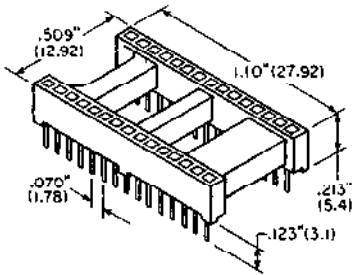
ECG430 Fig. AS21
40-Pin DIP, IC Socket, .100" Centers



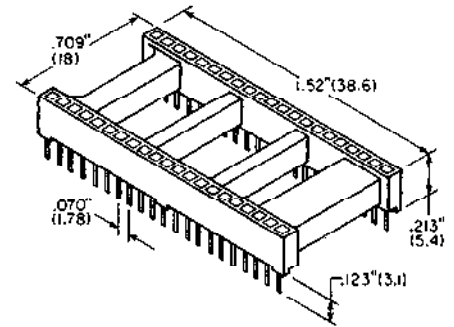
ECG435K28 Fig. AS35
28-Pin DIP, IC Socket, .070" Centers



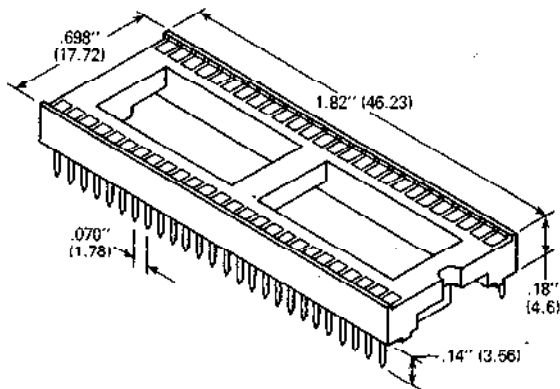
ECG435K30 Fig. AS36
30-Pin DIP, IC Socket, .070" Centers



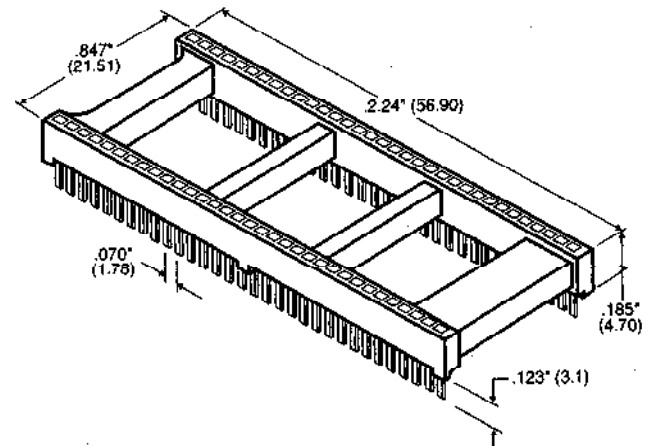
ECG435K42 Fig. AS37
42-Pin DIP, IC Socket, .070" Centers



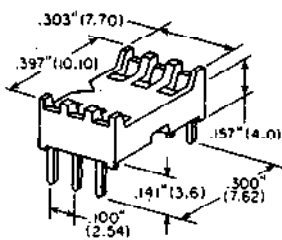
ECG435K52 Fig. AS39
52-Pin DIP, IC Socket, .070" Centers



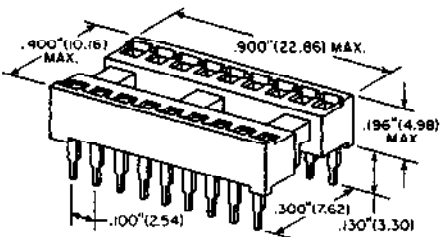
ECG435K64 Fig. AS38
64-Pin DIP, IC Socket, .070" Centers



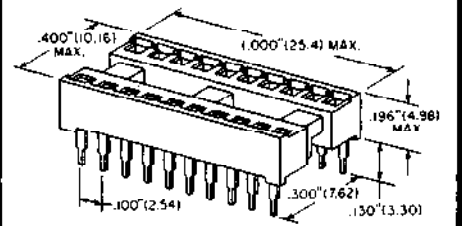
ECG435P6 Fig. AS12
6-Pin DIP, IC Socket



ECG435P18 Fig. AS16
18-Pin DIP, IC Socket



ECG435P20 Fig. AS17
20-Pin DIP, IC Socket

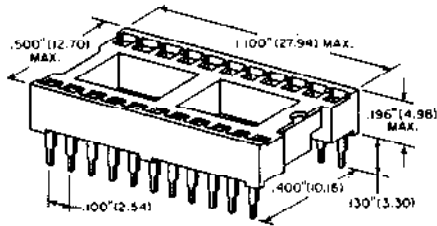


Accessory Outlines (cont'd)

Sockets (cont'd)

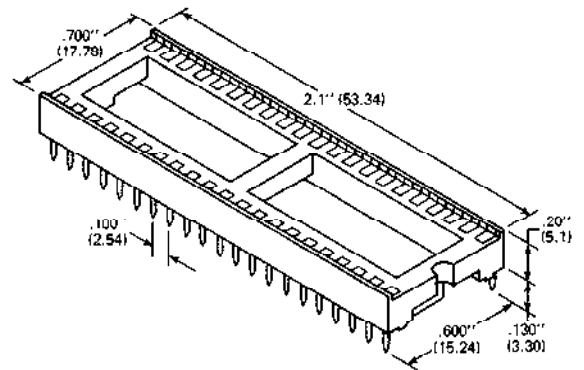
ECG435P22
22-Pin DIP, IC Socket

Fig. AS18



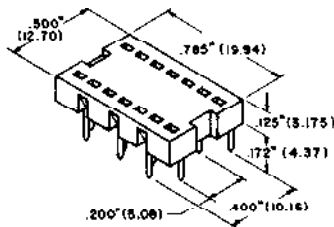
ECG436P42
42-Pin DIP, IC Socket

Fig. AS40



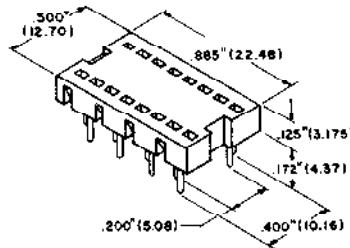
ECG435Q14
14-Pin DIP, IC Socket for PC Board with Staggered Holes

Fig. AS22



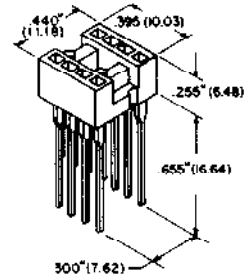
ECG435Q16
16-Pin DIP, IC Socket for PC Board with Staggered Holes

Fig. AS23



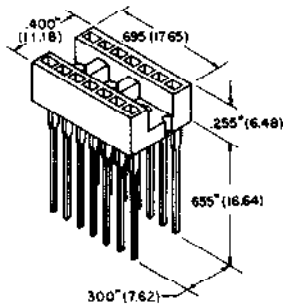
ECG436W8
8-Pin DIP, IC Socket, Wire Wrap Leads

Fig. AS24



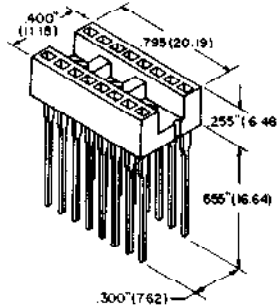
ECG436W14
14-Pin DIP, IC Socket, Wire Wrap Leads

Fig. AS25



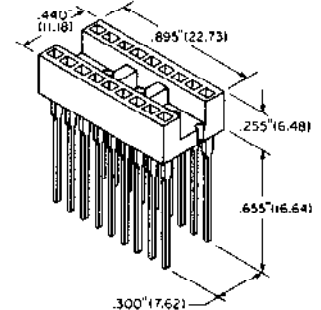
ECG436W16
16-Pin DIP, IC Socket, Wire Wrap Leads

Fig. AS26



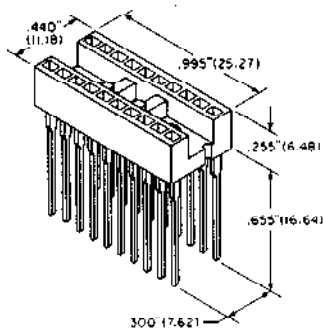
ECG436W18
18-Pin DIP, IC Socket, Wire Leads

Fig. AS27



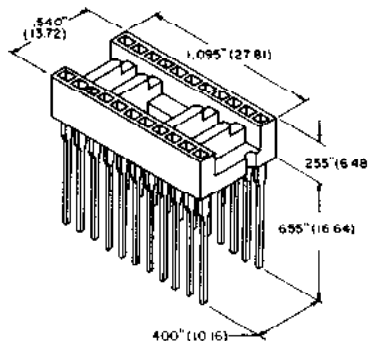
ECG436W20
20-Pin DIP, IC Socket, Wire Wrap Leads

Fig. AS28



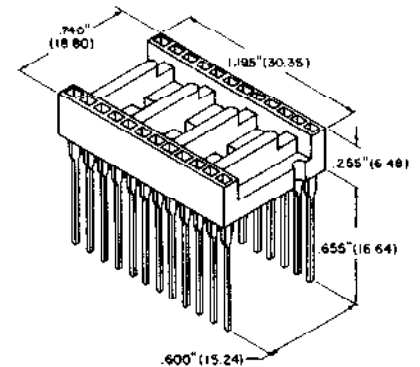
ECG436W22
22-Pin DIP, IC Socket, Wire Wrap Leads

Fig. AS29



ECG436W24
24-Pin DIP, IC Socket, Wire Wrap Leads

Fig. AS30



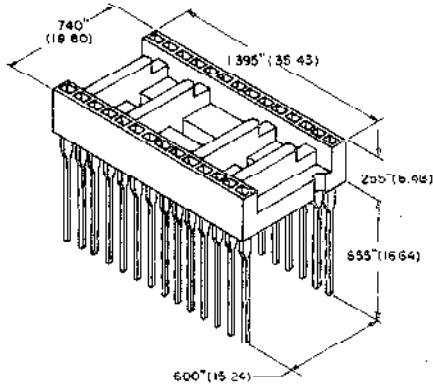
Accessory Outlines (cont'd)

Sockets (cont'd)

ECG436W28

28-Pin DIP, IC Socket, Wire Wrap Leads

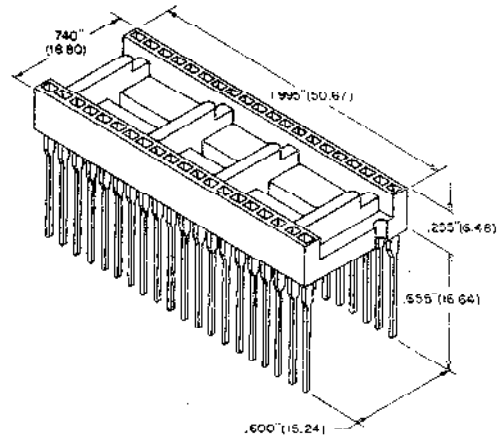
Fig. AS31



ECG436W40

40-Pin DIP, IC Socket, Wire Wrap Leads

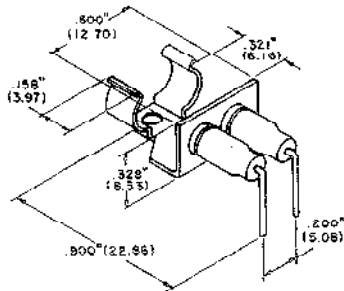
Fig. AS32



ECG437X18

Crystal Socket for HC-18 Case with .017" Diameter Cut Leads

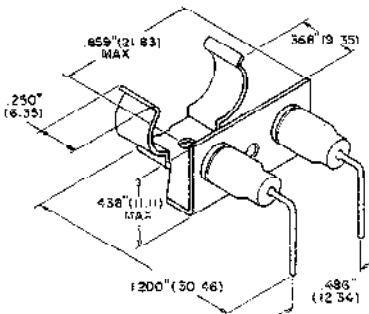
Fig. AS33



ECG437X33

Crystal Socket for HC-33 Case with .030" Diameter Cut Leads

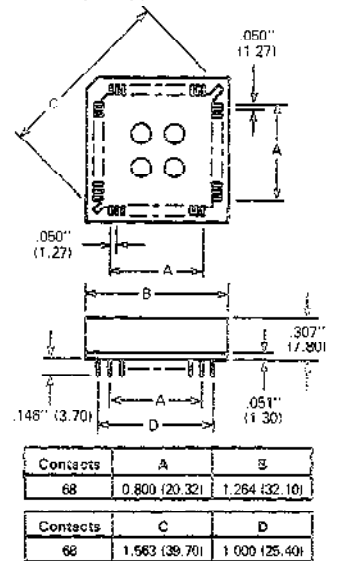
Fig. AS34



ECG601L68

68-Pin PLCC Socket

Fig. AS41



Accessories (cont'd)

Thermal Conductive Insulators

- Thermal Grease or Mica Wafer Not Required
- Thermally Stable
- Non-Toxic
- Flame Retardant
- Solvent Resistant
- Withstands Solder Process Temperatures
- Mounting Pressure: 300-600 PSI Typ

ECG thermal conductive insulators are made of a silicone rubber and fiberglass composite which is non-toxic and will resist cleaning agents. These flame retardant insulators are primarily used to electrically isolate power sources from heatsinks.

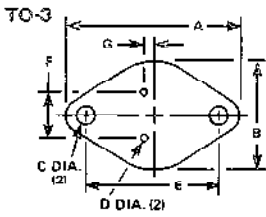
The surfaces of the ECG425 series insulators are pliable and allow complete surface contact to insure maximum heat conduction. They will not chip or fracture under high compressive stress and their thermal resistance improves the longer they are used. The ECG425 insulators have excellent cut-through resistance and contain no organic materials which will support fungal growth.

Characteristics (.008" Thickness)

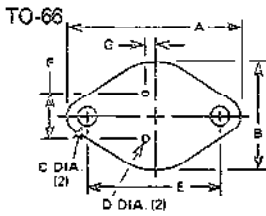
Breaking Strength	100 Lbs./In.
Elongation	4%
Volume Resistance	
Normal	$1.0 \times 10^{12} \Omega/\text{Meter Min.}$
Moist	$1.5 \times 10^{10} \Omega/\text{Meter Min.}$
Breakdown Voltage	
Normal	5000 V Min.
Moist	2500 V Min.
Dielectric Constant (K)	5.5
Continuous Use Temperature	-60 to +180°C
Thermal Conductivity	$0.7 \frac{W}{m-k}$
Specific Gravity	2.0-2.1
Thermal Resistance (TO-3)	0.50°C/Watt

Dimensions

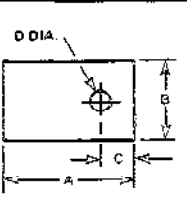
Type	A	B	C	D	E	F	G
ECG425A	1.650	1.140	.140	.093	1.187	.430	.072
ECG425B	1.650	1.140	.165	.062	1.187	.430	.072
ECG425C	1.650	1.140	.140	.046	1.187	.430	.072



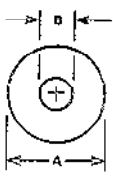
Type	A	B	C	D	E	F	G
ECG425D	1.312	.762	.140	.062	.983	.200	.100



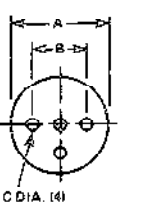
Type	A	B	C	D	Style
ECG425E	.750	.500	.187	.147	TO-220
ECG425F	.437	.312	.140	.093	TO-126



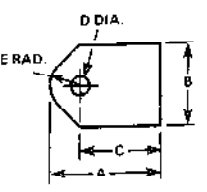
Type	A	B	Style
ECG425G	.510	.200	DO-4
ECG425H	.800	.260	DO-5



Type	A	B	C	D	Style
ECG425J	1.063	.690	.190	.190	TO-36




Type	A	B	C	D	E	Style
ECG425K	.865	.650	.650	.140	.205	TIP-36
ECG425L	1.260	.787	.984	.142	.205	TO-3P



Note: All dimensions are in inches.

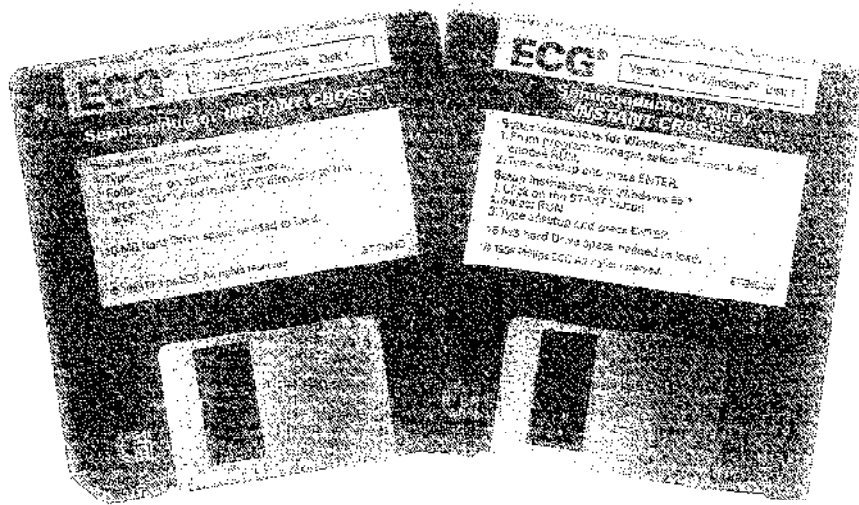
Notes

ING. FABIAN GARZA
13-007/95


Notes

Cross Reference

Industry's Largest Semiconductor and Relay Cross Reference on Diskettes



ECG now offers its **INSTANT CROSS™** for Windows®, with both the Semiconductors and Relays, in one program. Two Cross References in one. Now approximately 300,000 industry part numbers crossed in one data base. Totally IBM® compatible. Both the Semiconductor and Relay Cross Programs are available in separate DOS versions.

INSTANT CROSS is a trademark of Philips Electronics North America Corporation. All other trademarks and registered trademarks are the property of their respective holders.

R

Cross Reference Section — Special Notes

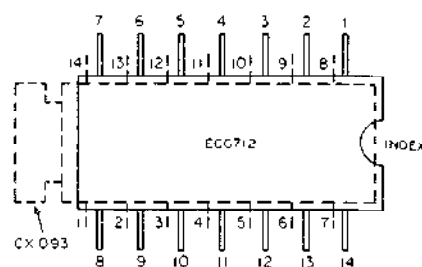
- ⊙ Same number is used for two different parts - check schematic or original part.
- # When replacing this part it is necessary to use the insulating hardware supplied.
- ◆ May not be an exact mechanical or electrical equivalent. However, it will provide an acceptable substitute in the majority of typical applications.
- + The device being replaced has internal MOV transient protection. When using the ECG replacement, connect the recommended ECG MOV across the output terminals.
- § Type is obsolete and no longer available from Philips ECG. Cross reference is retained for information only.
- ‡ Original part had metric threads.
- **ECG539**
When replacing part numbers 530165-12, MH1011B01 and MH1031C01 with ECG539 cut "G" lead at surface of failed multiplier. Strip and connect to "G" terminal of replacement.
- **ECG779A**
Use of the ECG779A may require modification of external circuitry - see data packed with device.
- **ECG995 & ECG995iv**
When replacing CS2907 or LM2907 a 470-ohm resistor must be added between the IC's V_{CC} and the actual supply voltage.
- **ECG1081A**
Following modifications are required in order to replace UPC563H by ECG1081A:
 1. Remove 680-ohm resistor on pin #3 and #4 as well as SD46 or 1S953 diode.
 2. Remove 10 K-ohm resistor on pin #9.
 3. Change 220 pF capacitor between pin #4 and pin #5 to 47 pF to get same frequency response.
 4. Ground heat sink fin.

The ECG1081A is a direct replacement for the UPC563H2 by grounding the heat sink fin.
- **ECG1086**
When replacing type UPC49C with ECG1086 pin #7 should be connected to nearest ground through a 3.3 K-ohm, 1/2 watt resistor.

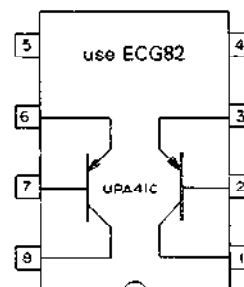
- **ECG1089**
Devices marked ECG1089-3, when used to replace a UPC29C, may require the addition of a .01 μF capacitor between pins #13 and #17 for optimum performance.
- **ECG1091**
When using ECG1091 to replace UPC48C, ground pin #15 through a 5.6 K-ohm, 1/2 watt resistor.
- **ECG1140**
The ECG1140 is an improved replacement for type UPC575C. The following circuit changes must be made for proper operation.
 1. Remove any resistor between pins #5 and #8 (typically this will be 22,000 ohms).
 2. Remove any resistor between pin #8 and ground (typically this will be 8200 ohms).
 3. By-pass pin #8 directly to ground through a 47 μF capacitor.

Note: No circuit modifications are necessary to replace type UPC575C2 with ECG1140.
- **ECG1640/MN3001**
When replacing ECG1640 or MN3001 with ECG1642, cut all circuit trace connections to pin #1. Solder a jumper between pin #1 and pin #7.
- **ECG1323**
When used to replace STK5481 or Zenith 905-1224 solder a jumper between pin #1 and pin #8.
- **13-17-6**
Use ECG123A plus 15 K-ohm resistor base to ground.
- **15-43251-1**
The Sylvania Integrated Circuit part number 15-43251-1 can be replaced with the ECG747. When installing the ECG747, a 470-ohm resistor should be connected in parallel with the existing 470-ohm resistor, between pins #5 and #3. This is to maintain the proper DC level at the output on pin #4 when measured with no signal output.

- **CX093**
When replacing CX093 with ECG712 insert as shown in diagram. No heatsinking is required. (ECG712 index is opposite of original part.)



- **HA11441**
When replacing HA11441 with ECG1471, Pin #16 is to be grounded.
- **TBA810S-H**
When replacing TBA810S-H with ECG1115A connect 100-ohm, 1/4 watt resistor between pins #1 and #4.
- **UPA41C**
When replacing UPA41C, use ECG82 as illustrated below.



- **UPC1154H**
When replacing UPC1154H with ECG1194 the resistor connected to pin #5 must be eliminated and replaced by a jumper wire to prevent a loss in gain.

General Cross Reference Section Notes:

- (1) Numbers in () indicates the number of replacement devices required to replace original type.
- (2) / numbers indicate more than one ECG type required for this application.
- (3) (CP) - Complementary Pair.
- (4) When a specific device part number is not listed in the directory, refer to the technical data for the ECG device of that type to find an equivalent replacement.
- (5) OBS-NLA - ECG replacement for this part is obsolete and no known substitute is available.
- (6) When basing of original part differs from ECG replacement, basing for original part is shown in parentheses () after the part number. For example, the 2SA509A(ECB) is replaced by ECG159 which has "EBC" basing.

Table with 12 columns: To Be Replaced, ECG Replacement, To Be Replaced, ECG Replacement, To Be Replaced, ECG Replacement, To Be Replaced, ECG Replacement, To Be Replaced, ECG Replacement, To Be Replaced, ECG Replacement. Contains numerous part numbers and their corresponding replacements.

When basing of original part differs from ECG replacement, basing for original part is shown in parentheses () after the part number. For example, the 2SA509A(ECB) is replaced by ECG159 which has "EBC" basing.

Table with 12 columns: To Be Replaced, ECG Replacement, To Be Replaced, ECG Replacement, To Be Replaced, ECG Replacement, To Be Replaced, ECG Replacement, To Be Replaced, ECG Replacement, To Be Replaced, ECG Replacement. Contains numerous part numbers and their corresponding ECG equivalents.

* , # , @ , ! , \$, + See Special Notes on Page 2

Table with 16 columns: To Be Replaced, ECC Replacement, To Be Replaced, ECC Replacement, To Be Replaced, ECC Replacement, To Be Replaced, ECC Replacement, To Be Replaced, ECC Replacement, To Be Replaced, ECC Replacement, To Be Replaced, ECC Replacement, To Be Replaced, ECC Replacement. Rows list various semiconductor part numbers and their equivalents.

When basing of original part differs from ECG replacement, basing for original part is shown in parentheses () after the part number. For example, the 2SA508A(508A) is replaced by ECG159 which has "EBC" basing.

Table with 12 columns: To Be Replaced, ECG Replacement, To Be Replaced, ECG Replacement, To Be Replaced, ECG Replacement, To Be Replaced, ECG Replacement, To Be Replaced, ECG Replacement, To Be Replaced, ECG Replacement. Contains numerous part numbers and their equivalents.

* , # , @ , + , \$, † - See Special Notes on Page 2-2

Table with 16 columns: To Be Replaced, ECG Replacement, To Be Replaced, ECG Replacement, To Be Replaced, ECG Replacement, To Be Replaced, ECG Replacement, To Be Replaced, ECG Replacement, To Be Replaced, ECG Replacement, To Be Replaced, ECG Replacement, To Be Replaced, ECG Replacement. It lists various semiconductor components and their equivalent part numbers.

When basing of original part differs from ECG replacement, basing for original part is shown in parentheses () after the part number. For example, the 2SA09A(BC) is replaced by ECG159 which has "EBC" basing.

To Be Replaced	ECG Replacement	To Be Replaced	ECG Replacement	To Be Replaced	ECG Replacement	To Be Replaced	ECG Replacement	To Be Replaced	ECG Replacement	To Be Replaced	ECG Replacement	To Be Replaced	ECG Replacement
023754	384	082025	2976	0573022	102A	0575019	110MP	06120087	198	06200088	552	06300554	4052B
023762	130	082028	2596	0573022H	102A	0575019H	110MP	06120088	198	06200089	552	06300554	920A
025026	116	082028	2596	0573023	102A	0575047	506	06120108	198	06200090	125	06300574	172B
025056	116	082028	2596	0573023A	102A	0575047H	506	06120109	198	06200091	5092A	06300616	1845
025072	125	084001	169	0673023H	102A	0575049	506	06120110	198	06200092	109	06300621	7015
025237	123AP	084001C	121	0573024	102A	0575049H	506	06120111	289A	06200093	109	06300626	7413221
030001	123A	084700402	15020	0573024-14	102A	0575050	116	06120112	399	06200094	552	06300635	1742
030010-1	123A	094700402	15022			0575051	116	06120113	399	06200095	552	06300638	4066B
030011	125	085002	109	0573030	131	0575054	506	06120119	399	06200103	552	06300761	859
030011-2	125	085003	109	0573031	14	0473056	506	06120120	399	06200104	552	06300761	5404
030254	289A	085004	109	0573031	131MP	0575057	109	06120134	399	06200105	552	06400002	290
030387	5455	085005	109	0573032	102A	0575059	109	06120141	198	06200106	506	06500004	605A
030512-1	123A	085006	109	0573033	102A	0576001	102A	06120144	157	06200107	125	07009502	290A
030512-2	123A	085016	109	0573036	102A	05760054	116	06120145	375	06200108	5013A	07011751	290A
030515	123A	085026	110MP	0573037H	103A	0577001	109	06120148	375	06200109	558	07011752	290A
030515-4	123A	085033	102A			0578003	290A	06120149	376	06200112	5013A	07011757	290A
030527	123A	094013	121	0573040	121	06120161	399	06120150	376	06200113	5018A	07012611	378
030531	106	0112945(Elgin)	166	0573055	158	06120151	399	06120151	399	06200114	5020A	07010771	197
030536	123A	0170301	177	0573056	102A	06120152	399	06120152	399	06200115	177	07010751	378
030537	123A	0201101	1003	0573056	123A	0620017	109	06120153	238	06200116	177	07010825	262
030537-1	123A	0207046	1108	0573103	102	0620076	503	06120155	157	06200117	177	07010841	262
030537-2	123A	0207120	1087	0573114	102A	0622070	116	06120156	157	06200118	116	07010974	262
030539	123A	0207205	1155	0573114H	102A	0622072	116	06120161	399	06200119	116	07110891	262
		0220100N	5562	0673117	102A	0690403A47	2V150	06120162	399	06200120	526	07111681	165
						0620027	2138						
030539-1	190	0220200L	5517	0573117-14	102A	0820220	233	06120163	85	06200121	503	07220031	85
030542	123A	0220200N	5562	0573119	102A	0890224	5912	06120165	123AP	06200122	552	0722795	85
030543	123A	0220300N	5517	0573123	102A	01030710	123A	06120166	85	06200123	552	0722795	85
030543-1	123A	0220400N	5564	0573131	102A	0129102	123A	06120167	116	06200124	5011A	07228002	85
030543-2	123A	0220400N	5564	0573139	103A	01891187	229	06120169	85	06200125	142A	07309631	382
030811	103A	0220500L	5519	0573142H	102A	02600043	109	06120170	85	06200129	5013A	07309661	253
031033	109	0220500N	5566	0573152	102A	04040501-1	909D	06120171	85	06200130	519	07311961	263
						04040503-1	91D	06120172	85	06200131	5074A	07312371	54
031040	109	0220600L	5519	0573153	102A	04040505-01	941D	06120173	289A	06200149	5074A	07312771	261
031450	5802	0230100N	5562	0573153H	102A	04040505-001	941D	06120174	289A	06200150	519	07313081	2326
031497	5457	0230200N	5562	0573166	104	04040751-001	923D	06120177	2501	06200159	552	07317251	184
033563	325	0230300N	5562	0573184	158	0410025-001	519	06120181	186A	06200160	5011A	07320002	2355
033771	129	0230300L	5518	0573185	158	0410025-002	519	06120182	186A	06200167	519	08000101	519
033771(ELECTRO)	193A	0230300N	5564	0573187	102A	0410042-001	519	06120182	198	06200168	125	09000015	518
033589	193A	0230400L	5518	0573199	127	04440028-001	123A	06120187	198	06200170	5020A	0900016	5801
						04440028-003	123A	06120194	382	06200177	5020A	0900017	5801
036001	703	0230400N	5564	0573200	102A	04440032-006	123A	06120200	157	06200179	519	0900028	519
037077	175	0230500L	5519	0573202	123A	04440032-008	123A	06120201	375	06120210	5021A	0900039	519
037085	130	0230500N	5566	0573204	158	04440032-013	123A	06120202	375	06200181	552	0900040	587
040001	107	0230600L	5519	0573205	121	04440032-002	159	06120203	375	06200182	552	0900044	116
040094	130	0300510	290A	0573205	121	04440032-003	159	06120204	375	06200183	552	0900045	507
041616	177	0300510	290A	0573212H	102A	04440032-004	159	06120207	375	06200187	109	0900048	587
043001	108	0300511	290A	0573228	102A	04440032-005	159	06120208	399	06200188	5021A	0900050	5074A
044883	284	0301080	91	0573330	126A	04440032-006	159	06120212	382	06200189	552	0900052	5082A
046127	100	0301091	91	0573335	180	04440032-007	159	06120217	399	06200189	5074A	0900055	116
053492	123A	0301201	1003	0573366	180	04440032-008	159	06120218	399	06200202	552	0900058	5022A
055210	5809	0305951	85	0573398	126A	04440032-009	159	06120220	375	06200203	552	0900060	5009A
055210H	116	0306952	85	0573415	124	04440032-010	159	06120221	375	06200206	5020A	0900062	5014A
055229	125	0306953	85	0573418	123A	04440032-002	123A	06120224	123AP	06200207	552	0900063	5002A
055239H	125	0307041	707	0573421	102A	04440032-001	123A	06120225	123AP	06200208	552	0900064	5001A
055259	109	0308342	107	0573422H	102A	04450002-004	123A	06120229	23AP	06200225	519	0900065	5011A
057001	109	0308740	90	0573427	126A	04450002-005	123A	06120230	123AP	06200228	5020A	0900067	147A
057001H	109	0308741	90	0573428	160	04450011-001	159	06120231	159	06200239	116	0900068	146A
057005	109	0308391	196	0573429	102A	04450011-002	159	06120233	123AP	06200239	558	0900069	501971
057005H	109	0308392	196	0573430	123A	04450011-003	129	06120236	399	06200241	552	0900073	501171
057040	104	0308393	196	0573460	123A	04450023-001	130	06120240	399	06200232	552	0900075	5009A
057293	177	0310340	116	0573468	123A	04450023-005	130	06120243	290A	06200233	5020A	0900077	5016A
058385	109	0311180	519	0573468(Hitachi)	107	04450023-006	181	06120249	96	06200235	109	0900081	586
058452	154B	0314460	530	0573468	123A	04450023-007	181	06120254	375	06200237	5074A	0900085	586
061966	289A	0318900	6018A	0573469H	123A	04450023-002	159	06130017	375	06200240	50107	0900086	146B
067561	5635	0316400	5013A	0573471	126A	05320064	289A	06130018	375	06210207	375	0900043	960
071818	139	0320021	125	0573472	126A	05320065	289A	06200205	509	06200205	509	0900044	960
072055A	530S	0320051	154	0573475	161	0573481	85	06130033	152	06200202	580	0900048	1903
075005	109	0320064	289A	0573474H	161	05750011	109	06130034	192	06200222	5801	0900059	977
080001	126A	0320302	142A	0573475	161	06100007	289A	06130036	375	06200209	116	0900070	1848
080003	102A	0340120	605A	0573479	289A	06100008	292	06130037	165	06220070	116	0900077	1848
080006	106	0340150											

To Be Replaced	ECG Replacement	To Be Replaced	ECG Replacement	To Be Replaced	ECG Replacement	To Be Replaced	ECG Replacement	To Be Replaced	ECG Replacement	To Be Replaced	ECG Replacement	To Be Replaced	ECG Replacement
0301201150	373#	0N2171	3098	1/4A62A	5044A	1/4M4.7A2	5009A	1/4M130Z5	5053A	1/4Z140D10	5054A	25T15A	5024A
0301201150	107	0N2900	3046	1/4A62B	5044A	1/4M4.7A25	5009A	1/4M130Z10	5053A	1/4Z140D10	5054A	25T15B	5024A
0303452162	1206	0N47204-1	125A	1/4A68	5045A	1/4M4.7A210	5009A	1/4M130Z10	5053A	1/4Z140D10	5054A	25T16A	5025A
0303452170	1206	0N143285	519	1/4A68B	5045A	1/4M5.1A2	5010A	1/4M140Z10	5054A	1/4Z140D10	5054A	25T16B	5025A
0303452177	1206	0N187840	941	1/4A75	5046A	1/4M5.1A22	5010T1	1/4M150Z	5055A	1/4Z160D5	5056A	25T18	5027A
090003020020	6400B	0N20608	519	1/4A75A	5046A	1/4M5.1A25	5010A	1/4M150Z25	5055A	1/4Z160D10	5056A	25T18A	5027A
090003020021	200A	0P130	3028	1/4A75B	5046A	1/4M5.1A210	5010A	1/4M150Z10	5055A	1/4Z180D	5058A	25T18B	5027A
090003040072	107	0P131	3028	1/4A82	5047A	1/4M5.6A2	5011A	1/4M160Z	5056A	1/4Z180D5	5058A	25T20	5029A
090003040082	85	0P12151	3040	1/4A82A	5047A	1/4M5.6A21	5011T1	1/4M160Z25	5056A	1/4Z180D10	5058A	25T20A	5029A
090003040141	107	0P12252	3040	1/4A82B	5047A	1/4M5.6A22	5011T1	1/4M180Z10	5056A	1/4Z200D	5060A	25T20B	5029A
090003040152	85	0P12251	3100	1/4A81	5047A	1/4M5.6A23	5011T1	1/4M175Z	5057A	1/4Z200D5	5060A	25T21A	5029A
090003040240	85	0P12252	3100	1/4A81B	5047A	1/4M5.6A24	5011T1	1/4M175Z10	5057A	1/4Z200D10	5060A	25T21B	5029A
090003040280	152	0P12100	3041	1/4A91B	5049A	1/4M6.2A2	5013A	1/4M182Z10	5057A	1/4Z220D	5062A	25T22A	5030A
090003040310	85	0P12153	3041	1/4A100	5050A	1/4M6.2A21	5013T1	1/4M182Z	5058A	1/4Z23.3T5	5006A	25T24	5031A
090003040310	85	0P12154	3040	1/4A100A	5050A	1/4M6.2A22	5013T1	1/4M180Z5	5058A	1/4Z23.3T5	5006A	25T24A	5031A
090003040400	85	0P12155	3040	1/4A100B	5050A	1/4M6.2A25	5013A	1/4M180Z10	5058A	1/4Z23.9T5	5007A	25T24B	5031A
090003040480	229	0P12250	3040	1/4A110	5051A	1/4M6.2A210	5013A	1/4M200Z	5060A	1/4Z24.3T5	5008A	25T27	5033A
090003040490	85	0P12251	3040	1/4A110A	5051A	1/4M6.2A2	5014A	1/4M200Z25	5060A	1/4Z24.7T5	5009A	25T27A	5033A
090003050020	116	0P12253	3041	1/4A110B	5051A	1/4M6.2A25	5014A	1/4M200Z10	5060A	1/4Z25.1T5	5010A	25T27B	5033A
090003050030	116	0P12254	3041	1/4A120A	5052A	1/4M6.2A210	5014A	1/4M200Z25	5060A	1/4Z25.5T5	5011A	25T28	5034A
090003050050	177	0P12255	3041	1/4A120A	5052A	1/4M6.2A2	5014A	1/4M200Z10	5060A	1/4Z28.8T5	5013A	25T30A	5035A
090003050080	611	0P13150	3084	1/4A120B	5052A	1/4M6.2A25	5014A	1/4Z6.8D10	5014A	1/4Z28.8T5	5014A	25T30B	5035A
090003050090	519	0P13151	3084	1/4A130	5053A	1/4M6.2A210	5014A	1/4Z7.5D	5015A	1/4Z27.5T5	5015A	25T30C	5036A
090003050180	109	0P13152	3083	1/4A130A	5053A	1/4M7.5A25	5015A	1/4Z7.5D5	5015A	1/4Z28.2T5	5016A	25T33A	5036A
090003060030	611	0P13153	3084	1/4A130B	5053A	1/4M7.5Z	5015A	1/4Z8.2D	5015A	1/4Z28.2T5	5016A	25T33B	5036A
090003060040	613	0P13250	3084	1/4A140	5054A	1/4M7.5Z25	5015A	1/4Z8.2D10	5016A	1/4Z210T5	5019A	25T36	5037A
090003070010	139A	0P13251	3084	1/4A140A	5054A	1/4M7.5Z10	5016A	1/4Z8.2D5	5016A	1/4Z211T5	5020A	25T36A	5037A
090003070050	5012A	0P13252	3083	1/4A140B	5054A	1/4M8.2Z	5016A	1/4Z8.2D10	5016A	1/4Z212T5	5021A	25T36B	5037A
090003070120	5013A	0P13253	3084	1/4A150	5055A	1/4M8.2Z5	5016A	1/4Z8.2D5	5016A	1/4Z212T5	5021A	25T36C	5037A
090003070150	5018A	0P1500A	3040	1/4A150A	5055A	1/4M9.1Z	5018A	1/4Z8.2D10	5016A	1/4Z216T5	5025A	25T39A	5038A
090003120010	1170	0P15010A	3040	1/4A150B	5055A	1/4M9.1Z5	5018A	1/4Z9.1D10	5018A	1/4Z216T5	5025A	25T39B	5038A
090003120070	1248	0PL-209A-A	3008	1/4A200	5060A	1/4M9.1Z25	5018A	1/4Z10D	5019A	1/4Z18T5	5027A	25T43	5039A
090003120080	930	0PL-270	3008	1/4A200A	5060A	1/4M9.1Z10	5018A	1/4Z10D5	5019A	1/4Z220T5	5028A	25T43A	5039A
090003120620	1226	0PL-270.50	3008	1/4A200B	5060A	1/4M10Z	5019A	1/4Z10D10	5019A	1/4Z220T5	5028A	25T43B	5039A
090003120550	1194	0PT-2252	3042	1/4A22.4D	5000A	1/4M10Z1	5019T1	1/4Z11D	5020A	1/4Z224T5	5031A	25T47	5040A
090003120580	1217	0RDU041	587	1/4A22.4D5	5000A	1/4M10Z2	5019T1	1/4Z11D5	5020A	1/4Z227T5	5033A	25T47A	5040A
090003120660	1166	0S-30	109	1/4A22.4D10	5000A	1/4M10Z3	5019A	1/4Z11D10	5020A	1/4Z230T5	5035A	25T47B	5040A
190501300330	5018A	0S250NR	524V15	1/4A25.0D	5002A	1/4M10Z4	5019A	1/4Z11D5	5020A	1/4Z231T5	5036A	25T48	5041A
0A01-08R	5072A	0S250NR25	524V15	1/4A25.0D5	5002A	1/4M11Z	5020A	1/4Z12D	5021A	1/4Z238T5	5037A	25T49A	5041A
0A01-11SE	5074A	0S492	176	1/4A22.7D10	5002A	1/4M11Z5	5020A	1/4Z12D10	5021A	1/4Z239T5	5038A	25T51B	5041A
0A02	109	1/4A25.0D	5002A	1/4A23.6D10	5006A	1/4M12Z	5021A	1/4Z12D5	5021A	1/4Z240T5	5039A	25T51C	5041A
0A02-1	160	0X-0135	3007	1/4A23.0D5	5004A	1/4M12Z1	5021T1	1/4Z13D5	5022A	1/4Z247T5	5040A	25T56A	5042A
0A02-1-12	160	0X-0475	116	1/4A23.3D	5005A	1/4M12Z2	5021T1	1/4Z13D10	5022A	1/4Z247T5	5040A	25T56B	5042A
0A02-1-12.7	160	0X-0513	801	1/4A23.3D5	5005A	1/4M12Z5	5021A	1/4Z14D	5023A	1/4Z256T5	5042A	25T62	5044A
0A03	110A	0Z1215	142A	1/4A23.3D10	5005A	1/4M12Z10	5021A	1/4Z14D5	5023A	1/4Z262T5	5045A	25T62A	5044A
0A03M	110A	0Z1215	142A	1/4A23.6D	5006A	1/4M12Z25	5022A	1/4Z15D	5024A	1/4Z267T5	5046A	25T68	5045A
0A26	501	0Z1217	142A	1/4A23.6D5	5006A	1/4M13Z5	5022A	1/4Z15D10	5024A	1/4Z282T5	5047A	25T68A	5045A
0A70	110A	1/4A6.8	5014A	1/4A23.6D10	5006A	1/4M13Z10	5022A	1/4Z15D5	5024A	1/4Z282T5	5047A	25T68B	5045A
0A73	110A	1/4A6.8B	5014A	1/4A23.9D	5007A	1/4M14Z	5023A	1/4Z16D	5025A	1/4Z287T5	5048A	25T69	5046A
0A73	110A	1/4A6.8B	5014A	1/4A23.9D5	5007A	1/4M14Z5	5023A	1/4Z16D10	5025A	1/4Z287T5	5048A	25T69A	5046A
0A81	110A	1/4A7.5	5015A	1/4A23.9D10	5007A	1/4M14Z10	5023A	1/4Z17D	5026A	1/4Z291D	5049A	25T76B	5046A
0A85	109	1/4A7.5A	5015A	1/4A24.3D	5008A	1/4M15Z	5024A	1/4Z17D5	5026A	25N6.8	5014A	25T82	5047A
0A86	109	1/4A7.5B	5015A	1/4A24.3D5	5008A	1/4M15Z5	5024A	1/4Z17D10	5026A	25N7.5	5015A	25T82A	5047A
0A89C	109	1/4A8.2	5016A	1/4A24.3D10	5008A	1/4M16Z	5025A	1/4Z18D	5027A	25N8.2	5016A	25T82B	5047A
0A90	110A	1/4A8.2A	5016A	1/4A24.7D	5009A	1/4M16Z5	5025A	1/4Z18D5	5027A	25N9.1	5018A	25T87	5048A
0A90A-G	110A	1/4A8.2B	5016A	1/4A24.7D5	5009A	1/4M16Z10	5025A	1/4Z18D10	5027A	25N10	5019A	25T87A	5048A
0A90AM	110A	1/4A8.2D	5016A	1/4A24.7D10	5009A	1/4M17Z	5026A	1/4Z19D	5028A	25N11	5020A	25T87B	5048A
0A90B	110A	1/4A9.1A	5018A	1/4A25.0D	5010A	1/4M17Z5	5026A	1/4Z19D5	5028A	25N12	5021A	25T91	5049A
0A90FV	110A	1/4A9.1B	5018A	1/4A25.1D5	5010A	1/4M17Z10	5026A	1/4Z19D10	5028A	25N13	5022A	25T91A	5049A
0A90G	109	1/4A10	5019A	1/4A25.1D10	5010A	1/4M18Z	5027A	1/4Z20D5	5029A	25N14	5023A	25T91B	5049A
0A90GA	110A	1/4A10A	5019A	1/4A25.6D	5011A	1/4M18Z5	5027A	1/4Z20D10	5029A	25N15	5024A	25T100	5050A
0A90LF	110A	1/4A10B	5019A	1/4A25.6D5	5011A	1/4M18Z10	5027A	1/4Z22D	5030A	25N16	5025A	25T100A	5050A
0A90M	110A	1/4A11	5020A	1/4A25.6D10	5011A	1/4M19Z	5028A	1/4Z22D5	5030A	25N17	5026A	25T100B	5050A
0A90MPV	110A	1/4A11A	5020A	1/4A26.2D	5012A	1/4M19Z5	5028A	1/4Z22D10	5030A	25N18	5027A	25T110	5051A
0A90MLF	110A	1/4A11B	5020A	1/4A26.2D5	5012A	1/4M19Z10	5028A	1/4Z24D	5031A	25N19	5028A	25T110A	5051A
0A90Z	110A	1/4A12	5021A	1/4A26.2D10	5012A	1/4M20Z	5029A	1/4Z24D5	5031A	25N20	5029A	25T110B	5051A
0A91	109	1/4A12A	5021A	1/4A26.8D	5014A	1/4M20Z5	5029A	1/4Z24D10	5031A	25N22	5030A	25T120	5052A
0A91A	109	1/4A12B											

Table with 16 columns: To Be Replaced, ECG Replacement, To Be Replaced, ECG Replacement, To Be Replaced, ECG Replacement, To Be Replaced, ECG Replacement, To Be Replaced, ECG Replacement, To Be Replaced, ECG Replacement, To Be Replaced, ECG Replacement, To Be Replaced, ECG Replacement. Contains numerous part numbers and their equivalents.

• # . @ . + . \$. ! - See Special Notes on Page 2-2

To Be Replaced	ECG Replacement	To Be Replaced	ECG Replacement	To Be Replaced	ECG Replacement	To Be Replaced	ECG Replacement	To Be Replaced	ECG Replacement	To Be Replaced	ECG Replacement		
1-801-005-23	102A	1A05627	290A	1B6	169	1D02341	152	1E3210	147A	1E219D5	5078A	1FWJ42	595
1-801-006	158	1A06720	159	1B8	170	1D02351	152	1E622	149A	1E219D10	5078A	1FWJ43	595
1-801-009-12	102A	1A06720	159	1D10	170	1D02360	152	1E6225	149A	1E220D	5079A	1G001240	40116
1-801-009-14	102A	1A06720	159	1E10J20	116	1D02391	291	1E62210	149A	1E220D5	5079A	1G002380	40236
1-801-009-11	505	1A07633	232	1E3210	152	1D02410	231	1E6225	149A	1E220D10	5079A	1G02	169
1-801-301-13	124	1A08721	234	1B12421	1582	1D02420	294	1E6225	150A	1E220T10	5079A	1G028200	132
1-801-301-14	124	1A1	118	1D162	552	1D04250	294	1E62210	150A	1E222D	5080A	1G028500	1150
1-801-301-15	124			1D162	552	1D04250	294	1E1102Z	151A	1E222D5	5080A	1G028800	1387
1-801-304-15	107	1A2	118	1B141	587	1D05250	321	1E1102Z5	151A	1E222D10	5080A	1G2C1	116
1-801-302-10	106	1A3	116	1B142	587	1D1	119	1C1102T10	151A	1E222T10	5080A	1G221	110
1-801-306	108	1A4	116	1B261	229	1D2	129	1E335A	229	1E224D	5081A	1G4B1	5304
1-801-306-13	106	1A5	116	1C0009	116	1D2C1	125	1E335A/7825B	229	1E224D5	5081A	1G4B41	168
1-801-306-14	108	1A6	125	1C0017	177	1D2C1LC2	125	1E335B	107	1E224D10	5081A	1G4B42	5332
1-801-306-15	108	1A7	116	1C0020	136A	1D3Z1	125	1E335C	703	1E224T10	5081A	1G4C	125
1-801-308	108A	1A7 5M	138A	1C0023	116	1D3Z1	116	1E335D	218	1E224T5	5081A	1G4C100	103
1-801-308-24	102A	1A7 5MA	138A	1C0026	116	1D3 3A	5066A	1E98001	312	1E227D5	5081A	1GA	116
1-801-309	103A	1A8-1A82	160	1C0029	109	1D3 3B	5066A	1E98002	5809	1E227D10	5081A	1GD2	109
1-801-310	158	1A9 1M	139A	1C0031	116	1D3 8	134A	1E98003	5809	1E227T10	5081A	1GD2H	109
1-801-314	123A	1A9 1MA	139A	1C0038	137A	1D3 6A	134A	1E98004	5809	1E230D	5084A	1GD4	109
1-801-314-15	123A	1A10M	140A	1C0039	109	1D3 6B	134A	1E98005	5809	1E230D5	5084A	1GD6	109
1-801-314-16	123A	1A10MA	140A	1C05	116	1D3 9A	5067A	1E98006	5809	1E230D10	5084A	1GH2	552
1-808-985-11	1429	1A12M	148A	1C04390	289A	1D3 9B	5067A	1E98007	5809	1E230T10	5084A	1GU42	552
1-808-103-11	1429	1A12MA	148A	1C04391	289A	1D4	116	1E98008	147A	1E230T5	5084A	1GU44	552
1-808-127-11	2406	1A13M	143A	1C04582	289A	1D4B1	5304	1E98009	125	1E233D5	5084A	1GWJ43	595
1-808-549-41	558	1A13MA	143A	1C04585	289A	1D4B41	167	1EA100A	125	1E233D10	5084A	1GZ81	116
1-808-574-11	1450	1A15M	145A	1C04586	289A	1D4 3A	5068A	1EA101A	5089	1E236D	5085A	1H00001	116
1-808-672-11	1055	1A15MA	145A	1C04944	324	1D4 3B	5068A	1E236D5	5085A	1E236D10	5085A	1H00003	116
1-808-782-11	1825	1A27M	146A	1C04948	324	1D4 3C	5068A	1E236D5	5085A	1E236D10	5085A	1H00004	116
1-808-901-11	1707	1A27MA	146A	1C04952	324	1D4 7B	5069A	1E236D	5086A	1E236D10	5086A	1H00005	150
1-808-915-11	1365	1A33M	147A	1C04954	324	1D5	116	1E236D5	5086A	1E236D10	5086A	1H00006	116
1-808-926-11	2406	1A33MA	147A	1C04977	128	1D5 1	135A	1E236D10	5086A	1E236D10	5086A	1H00013	159
1-808-929-11	2402	1A34	128	1C05092	289A	1D5 1A	135A	1E236D5	5086A	1E236D10	5086A	1H00014	116
1-806-832-11	2408	1A34R	128	1C06443	199	1D5 1B	135A	1E236D5	5086A	1E236D10	5086A	1H00015	116
1-807-194	1350	1A50	519	1C07095	289A	1D5 6A	136A	1E236D10	5086A	1E236D10	5086A	1H00016	116
1-807-108-11	2357	1A52	5000A	1C07324	199	1D5 6B	136A	1E236D10	5086A	1E236D10	5086A	1H00017	116
1-807-107-11	1729	1A55	5002A	1C07342	289A	1D5 6C	136A	1E236D10	5086A	1E236D10	5086A	1H00018	5803
1-807-717-11	1873	1A55	5005A	1C07352	289A	1D5 6D	136A	1E236D10	5086A	1E236D10	5086A	1H00019	5882
1-2114-0	128	1A56	5006A	1C07523	123AP	1D5 2	137A	1E236D10	5086A	1E236D10	5086A	1H00020	5324
1-8259	116	1A56M	149A	1C07523	286S	1D5 2A	137A	1E236D10	5086A	1E236D10	5086A	1H00021	116
1-12889	109			1C07532	286S	1D5 2B	137A	1E236D10	5086A	1E236D10	5086A	1H00022	6026
1-13989	519	1A58MA	148A	1C06281	289A	1D5 2S	137A	1E236D10	5086A	1E236D10	5086A	1H1	575
1-16549	177	1A57	5007A	1C06282	289A	1D5 2SB	137A	1E236D10	5086A	1E236D10	5086A	1H2	575
1-20335	139A	1A58	5009A	1C06390	289A	1D5 3A	125	1E236D10	5086A	1E236D10	5086A	1H3	374
1-20398	140A	1A59	5009A	1C06391	289A	1D10	125	1E236D10	5086A	1E236D10	5086A	1H4	575
1-22489	139A	1A60	5010A	1C06390	289A	1D10	125	1E236D10	5086A	1E236D10	5086A	1H5	575
1-22518	116	1A61	5011A	1C06848	123A	1D100	5400	1E236D10	5086A	1E236D10	5086A	1H6	575
1-22519	135A	1A62	5013A	1C1	116	1D101	5401	1E236D10	5086A	1E236D10	5086A	1H7	575
1-22221011	102A	1A62M	149A	1C2	116	1D102	5402	1E236D10	5086A	1E236D10	5086A	1H8	575
1-22221011	102A	1A62MA	149A	1C2	116	1D103	5404	1E236D10	5086A	1E236D10	5086A	1H98002	156
1-22221013	160	1A62M	150A	1C6	711	1D104	5404	1E236D10	5086A	1E236D10	5086A	1H98003	116
1-22221030	180	1A63MA	150A	1C6(1C)	711	1D105	5405	1E236D10	5086A	1E236D10	5086A	1H98004	116
1-22221031	160	1A63M	150A	1C6(1C)	711	1D106	5406	1E236D10	5086A	1E236D10	5086A	1H98005	116
1-22221021	160	1A110M	151A	1C8	748A	1D281	125	1E236D10	5086A	1E236D10	5086A	1H98006	110MP
1-22221120	102A	1A110MA	151A	1C8(1C)	748A	1D18000	98	1E236D10	5086A	1E236D10	5086A	1HY40	116
1-22221320	102A	1A120FG	558	1C8(1C)	123	1D18001	98	1E236D10	5086A	1E236D10	5086A	1HY50	110
1-22221921	160	1A140FG	558	1C10	125	1D18002	98	1E236D10	5086A	1E236D10	5086A	1HY90	125
1-22221400	160	1A34S	128	1C12Z	142A	1D18003	97	1E236D10	5086A	1E236D10	5086A	1HY100	123
1-22221441	160	1A348R	128	1C12ZA	142A	1D18005	97	1E236D10	5086A	1E236D10	5086A	1J1	123A
1-222214435	160	1A741NC	941	1C15Z	145A	1DA126 8B	5071A	1E236D10	5086A	1E236D10	5086A	1J1ST	451
1-222214821	160	1A7457-1	123A	1C15ZA	145A	1DA126 2B	5072A	1E236D10	5086A	1E236D10	5086A	1J4B1	5305
1-222214831	160	1A10425	116	1C15ZB	146A	1DA127 4B	5073A	1E236D10	5086A	1E236D10	5086A	1J4B1	169
1-222216500	102A	1A1116	116	1C27Z	146A	1DA1218B	5077A	1E236D10	5086A	1E236D10	5086A	1J4H2	5332
1-222216600	160	1A11306	109	1C27ZA	146A	1DA1222B	5080A	1E236D10	5086A	1E236D10	5086A	1J4H2	552
1-222217400	160	1A11671	116	1C33Z	147A	1DA12B	140A	1E236D10	5086A	1E236D10	5086A	1J4J2	552
1-222223720	123A	1A12214	116	1C33ZA	147A	1DAZ229B	5078A	1E236D10	5086A	1E236D10	5086A	1JX61	116
1-8147191229	123A	1A12407	116	1C62Z	149A	1DAZ2P4C	137A	1E236D10	5086A	1E236D10	5086A	1JZ6	116
1-8171191368	123A	1A12688	139A	1C62ZA	149A	1DAZ3400B	5071A	1E236D10	5086A	1E236D10	5086A	1JZ61	125
1-8207190405	102A	1A12889	109	1C82Z	150A	1DAZ3401B	5072A	1E236D10	5086A	1E236D10	5086A	1K2	5802
1-8501180010	110	1A12890	116	1C82ZA	150A	1DAZ3402B	140A	1E236D10	5086A	1E236D10	5086A	1K2A	109
1 735 0060	159	1A13219	116	1C110Z	151A	1DAZ3403B	145A	1E236D10	5086A	1E236D10	5086A	1K3A-TA	109
1 735 0061	159	1A13719	116	1C110ZA	151A	1DAZ3404B	145A	1E236D10	5086A	1E236D10	5086A	1K60	110A
1 735 0066	159	1A13720	116	1C357Z	129A	1DAZ3405B	5077A	1E236D10	5086A	1E236D10	5086A	1K60A	110A
1 735 0068	129	1A14384	109	1C10001	199	1DAZ3406B	5080A	1E236D10	5086A	1E236D10	5086A	1K60P	

To Be Replaced	ECG Replacement	To Be Replaced	ECG Replacement	To Be Replaced	ECG Replacement	To Be Replaced	ECG Replacement	To Be Replaced	ECG Replacement	To Be Replaced	ECG Replacement	To Be Replaced	ECG Replacement
1M3ZS5	5067A	1M2ZS5	146A	1M5603	745387	1N60-TF1	110A	1N192	109	1N319	116	1N434	177
1M3ZS10	5067A	1M2ZS10	146A	1M5603CDE	745387	1N60TF1	110A	1N193	116	1N319A	116	1N434A	177
1M4ZS5	5068A	1M3ZS5	146A	1M5603CJE	745387	1N60-TF1	110A	1N194	116	1N320	116	1N434B	177
1M4ZS10	5068A	1M3ZS10	146A	1M5603CPE	745387	1N60TV	110A	1N194A	116	1N320A	116	1N435	110A
1M4ZS5	5068A	1M3ZS5	5084A	1M5604	745570	1N60TVGL	110A	1N195	116	1N321	116	1N440	116
1M4ZS10	5068A	1M3ZS10	5084A	1M5604CJE	745570	1N60TV-TOGL	110A	1N196	117	1N321A	125	1N440B	116
1M4ZS5	5068A	1M3ZS5	5084A	1M5604CJE	745570	1N60TV-TPGL	110A	1N198	109	1N322	125	1N441	116
1M4ZS10	5068A	1M3ZS10	5084A	1M5604CPE	745570	1N60-Z	110A	1N198A	109	1N322A	125	1N441B	116
1M4ZS5	5069A	1M3ZS5	147A	1M5605	745475	1N62	109	1N198B	109	1N323	116	1N442	116
1M4ZS10	5069A	1M3ZS10	147A	1M5605CJG	745475	1N62	109	1N200	177	1N323A	116	1N442B	116
1M4ZS5	5069A	1M3ZS5	147A	1M5605CJE	745475	1N63A	109	1N201	178MP	1N324	116	1N443	116
1M4ZS10	5069A	1M3ZS10	147A	1M5605CPE	745475	1N64	110A	1N202	177	1N324A	116	1N443B	116
1M5ZS5	5069A	1M3ZS5	5085A	1M5606	745572	1N64A	110A	1N203	177	1N325	116	1N444	116
1M5ZS10	5069A	1M3ZS10	5085A	1M5606CJN	745572	1N64B	110A	1N203CA	140A	1N325A	519	1N444A	519
1M5ZS5	5069A	1M3ZS5	5085A	1M5606CJE	745572	1N64C	110A	1N204	177	1N326	116	1N444B	116
1M5ZS10	5069A	1M3ZS10	5085A	1M5606CPE	745572	1N64GA	110A	1N204-2	5179A	1N326A	116	1N445	116
1M5ZS5	5085A	1M3ZS5	5085A	1M5610CJE	745288	1N65	109	1N205	177	1N327	116	1N445B	116
1M5ZS10	5085A	1M3ZS10	5085A	1M5610CPE	745288	1N65A	109	1N206	178MP	1N327A	116	1N446	110A
1M5ZS5	5085A	1M3ZS5	5086A	1M5623	745287	1N66	109	1N207	178MP	1N328	125	1N447	110A
1M5ZS10	5085A	1M3ZS10	5086A	1M5623CDE	745287	1N66A	109	1N208	177	1N328A	125	1N448	116
1M5ZS5	5086A	1M3ZS5	5086A	1M5623CJE	745287	1N67	109	1N209	178MP	1N329	125	1N449	110A
1M5ZS10	5086A	1M3ZS10	5086A	1M5623CPE	745287	1N67A	109	1N210	177	1N329A	125	1N450	116
1M5ZS5	5086A	1M3ZS5	5086A	1M5624	745571	1N68	109	1N211	177	1N330	178MP	1N451	116
1M5ZS10	5086A	1M3ZS10	5086A	1M5624CDE	745571	1N68A	109	1N212	177	1N331	177	1N452	110A
1M5ZS5	5087A	1M3ZS5	5087A	1M5524CJE	745571	1N69	109	1N213	177	1N331	177	1N453	116
1M5ZS10	5087A	1M3ZS10	5087A	1M5524CPE	745571	1N69A	109	1N214	177	1N332P	5839	1N454	109
1M5ZS5	5087A	1M3ZS5	5087A	1M5525	745474	1N70	109	1N215	5832	1N332P	5839	1N455	110A
1M5ZS10	5087A	1M3ZS10	5087A	1M5525CDG	745474	1N70A	109	1N216	177	1N333P	5839	1N456	116
1M5ZS5	5088A	1M3ZS5	5088A	1M5525CJG	745474	1N71	110A	1N217	177	1N334	5839	1N456A	177
1M5ZS10	5088A	1M3ZS10	5088A	1M5525CJE	745474	1N72	109	1N218	5833	1N335	5834	1N457	177
1M5ZS5	5088A	1M3ZS5	5088A	1M5525CPE	745474	1N72C	109	1N218	5830	1N335	5838	1N457A	177
1M5ZS10	5088A	1M3ZS10	5088A	1M5525CJN	745474	1N73	109	1N218A	5830	1N335P	5839	1N457M	177
1M5ZS5	5088A	1M3ZS5	5088A	1M5526CJN	745474	1N74	109	1N248AR	5861	1N336	5834	1N458	177
1M5ZS10	5088A	1M3ZS10	5088A	1M5526CJE	745474	1N75A	109	1N248B	5861	1N337	5834	1N458A	177
1M5ZS5	5088A	1M3ZS5	5088A	1M5526CPE	745474	1N76	110A	1N248C	5861	1N337	5834	1N458B	177
1M5ZS10	5088A	1M3ZS10	5088A	1M5526CJN	745474	1N76A	110A	1N248D	5861	1N337P	5839	1N459	177
1M5ZS5	5088A	1M3ZS5	5088A	1M5526CJE	745474	1N76C	110A	1N248E	5861	1N338	5834	1N459A	177
1M5ZS10	5088A	1M3ZS10	5088A	1M5526CPE	745474	1N76G	110A	1N248F	5861	1N338P	5835	1N459M	177
1M5ZS5	5088A	1M3ZS5	5088A	1M5526CJN	745474	1N77	109	1N248G	5861	1N339	5834	1N460	177
1M5ZS10	5088A	1M3ZS10	5088A	1M5526CJE	745474	1N77C	109	1N248H	5861	1N339P	5835	1N460A	177
1M5ZS5	5088A	1M3ZS5	5088A	1M5526CPE	745474	1N78	109	1N248J	5861	1N340	5834	1N460B	177
1M5ZS10	5088A	1M3ZS10	5088A	1M5526CJN	745474	1N78A	109	1N248K	5861	1N340R	5835	1N461	177
1M5ZS5	5088A	1M3ZS5	5088A	1M5526CJE	745474	1N79	109	1N248L	5861	1N341	5838	1N461A	177
1M5ZS10	5088A	1M3ZS10	5088A	1M5526CPE	745474	1N79A	109	1N248M	5861	1N341R	5839	1N462	177
1M5ZS5	5088A	1M3ZS5	5088A	1M5526CJN	745474	1N80	109	1N248N	5861	1N342	5838	1N462A	177
1M5ZS10	5088A	1M3ZS10	5088A	1M5526CJE	745474	1N80A	109	1N248P	5861	1N342R	5839	1N463	177
1M5ZS5	5088A	1M3ZS5	5088A	1M5526CPE	745474	1N81	109	1N248Q	5861	1N343	5838	1N463A	177
1M5ZS10	5088A	1M3ZS10	5088A	1M5526CJN	745474	1N81A	109	1N248R	5861	1N343R	5839	1N464	177
1M5ZS5	5088A	1M3ZS5	5088A	1M5526CJE	745474	1N82	112	1N248S	5861	1N344	5838	1N464A	177
1M5ZS10	5088A	1M3ZS10	5088A	1M5526CPE	745474	1N82A	112	1N248T	5861	1N344R	5839	1N465	5009A
1M5ZS5	5088A	1M3ZS5	5088A	1M5526CJN	745474	1N82AG	112	1N248U	5861	1N345	5838	1N465A	5009A
1M5ZS10	5088A	1M3ZS10	5088A	1M5526CJE	745474	1N82G	112	1N248V	5861	1N345R	5839	1N466	5009A
1M5ZS5	5088A	1M3ZS5	5088A	1M5526CPE	745474	1N82D	112	1N248W	5861	1N346	5838	1N466A	5009A
1M5ZS10	5088A	1M3ZS10	5088A	1M5526CJN	745474	1N82E	112	1N248X	5861	1N346R	5839	1N467	5007A
1M5ZS5	5088A	1M3ZS5	5088A	1M5526CJE	745474	1N82F	112	1N248Y	5861	1N347	5838	1N467A	5007A
1M5ZS10	5088A	1M3ZS10	5088A	1M5526CPE	745474	1N82G	112	1N248Z	5861	1N347R	5839	1N468	5009A
1M5ZS5	5088A	1M3ZS5	5088A	1M5526CJN	745474	1N82H	112	1N249A	5861	1N348	5838	1N468A	5009A
1M5ZS10	5088A	1M3ZS10	5088A	1M5526CJE	745474	1N82J	112	1N249B	5861	1N349	5838	1N469	5009A
1M5ZS5	5088A	1M3ZS5	5088A	1M5526CPE	745474	1N82K	112	1N249C	5861	1N350	5838	1N469A	5009A
1M5ZS10	5088A	1M3ZS10	5088A	1M5526CJN	745474	1N82L	112	1N249D	5861	1N350R	5838	1N470A	5014A
1M5ZS5	5088A	1M3ZS5	5088A	1M5526CJE	745474	1N82M	112	1N249E	5861	1N351	5838	1N470	5014A
1M5ZS10	5088A	1M3ZS10	5088A	1M5526CPE	745474	1N82N	112	1N249F	5861	1N352	177	1N471	109
1M5ZS5	5088A	1M3ZS5	5088A	1M5526CJN	745474	1N82P	112	1N249G	5861	1N353	178MP	1N472	109
1M5ZS10	5088A	1M3ZS10	5088A	1M5526CJE	745474	1N82Q	112	1N249H	5861	1N354	116	1N473	109
1M5ZS5	5088A	1M3ZS5	5088A	1M5526CPE	745474	1N82R	112	1N249J	5861	1N355	109	1N474	109
1M5ZS10	5088A	1M3ZS10	5088A	1M5526CJN	745474	1N82S	112	1N249K	5861	1N355A	5839	1N475	109
1M5ZS5	5088A	1M3ZS5	5088A	1M5526CJE	745474	1N82T	112	1N249L	5861	1N356	5838	1N476	109
1M5ZS10	5088A	1M3ZS10	5088A	1M5526CPE	745474	1N82U	112	1N249M	5861	1N357	5838	1N477	109
1M5ZS5	5088A	1M3ZS5	5088A	1M5526CJN	745474	1N82V	112	1N249N	5861	1N358	5838	1N478	109
1M5ZS10	5088A	1M3ZS10	5088A	1M5526CJE	745474	1N82W	112	1N249P	5861	1N359	5838	1N479	109
1M5ZS5	5088A	1M3ZS5	5088A	1M5526CPE	745474	1N82X	112	1N249Q	5861	1N359R	5839	1N480	109
1M5ZS10	5088A	1M3ZS10	5088A	1M5526CJN	745474	1N82Y	112	1N249R	5861	1N360	5838	1N480B	177
1M5ZS5	5088A	1M3ZS5	5088A	1M5526CJE	745474	1N82Z	112	1N249S	5861	1N360A	5838	1N482B	177
1M5ZS10	5088A	1M3ZS10	5088A	1M5526CPE	745474	1N82A	112	1N249T	5861	1N361	5838	1N482C	177
1M5ZS5	5088A												

To Be Replaced	ECG Replacement	To Be Replaced	ECG Replacement	To Be Replaced	ECG Replacement	To Be Replaced	ECG Replacement	To Be Replaced	ECG Replacement	To Be Replaced	ECG Replacement	To Be Replaced	ECG Replacement
1N530	116	1N660	177	1N737B	5049A	1N792M	177	1N914A	519	1N981B-F	5045A	1N1202A	5867
1N531	116	1N660A	177	1N738	5050A	1N793	177	1N914B	5046A	1N982	5046A	1N1203A	5867
1N532	116	1N681	177	1N738A	5050A	1N793A	177	1N914M	510	1N982A	5046A	1N1204A	5867
1N533	116	1N681A	177	1N738B	5050A	1N794	177	1N914M	510	1N982B-F	5046A	1N1205A	5867
1N534	116	1N682	177	1N739	5051A	1N795	177	1N914S	519	1N982B-F	5046A	1N1206A	5867
1N535	116	1N682A	177	1N739A	5051A	1N796	177	1N915	519	1N983	5047A	1N1207A	5867
1N536	116	1N683	177	1N739B	5051A	1N797	177	1N916	519	1N983A	5047A	1N1208A	5867
1N537	116	1N683A	177	1N740	5052A	1N798	177	1N916A	519	1N983B	5047A	1N1209A	5867
1N538	116	1N663M	177	1N740A	5052A	1N799	177	1N916B	519	1N984	5048A	1N1210A	5867
1N539	116	1N684	5016A	1N740B	5052A	1N800	177	1N917	177	1N984A	5049A	1N1211A	5867
1N540	116	1N685	5021A	1N741	5053A	1N801	177	1N919	177	1N984B	5049A	1N1212A	5867
1N541	110MP	1N686	5024A	1N741A	5053A	1N802	177	1N920	177	1N985	5050A	1N1213A	5867
1N542	110MP	1N687	5027A	1N741B	5053A	1N803	177	1N921	177	1N985A	5050A	1N1214A	5867
1N542MP	110MP	1N688	5030A	1N742	5054A	1N804	177	1N922	177	1N985B	5050A	1N1215A	5867
1N543	506	1N689	5034A	1N743A	5055A	1N805	110A	1N923	506	1N986	5051A	1N1216A	5867
1N543A	506	1N690	5045A	1N742B	5055A	1N806	177	1N924	177	1N986A	5051A	1N1217A	5867
1N547	116	1N671	5050A	1N743	5056A	1N807	177	1N925	177	1N986B	5051A	1N1218A	5867
1N548	125	1N672	5055A	1N743A	5056A	1N808	177	1N926	177	1N987	5052A	1N1219A	5867
1N549	506	1N673	116	1N743B	5056A	1N809	177	1N927	177	1N987A	5052A	1N1220A	5867
1N550	583A	1N674	5009A	1N744	5058A	1N810	177	1N928	177	1N987B	5052A	1N1221A	5867
1N550R	583S	1N675	5013A	1N744A	5058A	1N811	177	1N929	178MP	1N988	5053A	1N1222A	5867
1N551	586	1N676	5014A	1N744B	5058A	1N811M	177	1N930	177	1N988A	5053A	1N1223A	5867
1N551R	586S	1N677	116	1N745	5060A	1N812	177	1N931	177	1N988B	5053A	1N1224A	5867
1N552	583B	1N678	116	1N745A	5060A	1N812M	177	1N932	177	1N989	5055A	1N1225A	5867
1N552R	583B	1N679	116	1N745B	5060A	1N813	177	1N933	177	1N989A	5055A	1N1226A	5867
1N553	583B	1N681	116	1N746	5065A	1N813M	177	1N934	177	1N989B	5055A	1N1227A	5867
1N553R	583B	1N682	116	1N746A	5065A	1N814	116	1N937	177	1N989B	5055A	1N1228A	5867
1N554	5842	1N683	116	1N747	5066A	1N814M	177	1N946	177	1N990A	5056A	1N1229A	5867
1N554R	5842	1N684	116	1N747A	5066A	1N815	177	1N949	100	1N990B	5056A	1N1230A	5867
1N555	5842	1N685	116	1N747B	5066A	1N815M	177	1N957	5014A	1N991	5058A	1N1231A	5867
1N555R	5842	1N686	116	1N748	5067A	1N817	177	1N957A	5014A	1N991A	5058A	1N1232A	5867
1N560	125	1N687	116	1N748A	5067A	1N818	177	1N957B	5014A	1N991B	5058A	1N1233A	5867
1N561	25	1N688	116	1N749	5068A	1N818M	177	1N97B-F	5014A	1N992	5060A	1N1234A	5867
1N562	584B	1N689	116	1N750	5069A	1N819	116	1N97B-F	5014A	1N992A	5060A	1N1235A	5867
1N562R	584B	1N690	116	1N750A	5069A	1N835	110A	1N958A	5015A	1N992B	5060A	1N1236A	5867
1N563	584B	1N693	506	1N750A	5069A	1N937	177	1N958B	5015A	1N993	177	1N1237A	5867
1N563R	584B	1N695	110A	1N751	5010A	1N937A	177	1N958B-F	5015A	1N994	110A	1N1238A	5867
1N564	109	1N695A	110A	1N751A	5010A	1N938	177	1N959	5016A	1N995	177	1N1239A	5867
1N565	177	1N696	177	1N752	5011A	1N939	177	1N959A	5016A	1N996	110A	1N1240A	5867
1N565R	110A	1N697	177	1N752A	5011A	1N940M	177	1N959B	5016A	1N997	177	1N1241A	5867
1N571	110A	1N698	110A	1N752A-F	5011A	1N941	177	1N959B-F	5016A	1N998	177	1N1242A	5867
1N571R	589A	1N700	5019A	1N753	5013A	1N941M	177	1N960	5018A	1N999	116	1N1243A	5867
1N572	125	1N702A	5002A	1N753A	5013A	1N942	177	1N960A	5018A	1N1000	116	1N1244A	5867
1N573	125	1N703	5006A	1N753A-F	5013A	1N943	177	1N960B	5018A	1N1002	116	1N1245A	5867
1N574	116	1N704	5008A	1N754	5014A	1N944	177	1N960B-F	5018A	1N1009	116	1N1246A	5867
1N575	116	1N704A	5008A	1N754A	5014A	1N945	177	1N961	5019A	1N1010	116	1N1247A	5867
1N576	116	1N705	5009A	1N755	5015A	1N946	116	1N961A	5019A	1N1031	116	1N1248A	5867
1N577	116	1N705A	5009A	1N755A	5015A	1N947	116	1N961B	5019A	1N1032	116	1N1249A	5867
1N578	116	1N706	5009A	1N756	5016A	1N948	116	1N961B-F	5019A	1N1033	116	1N1250A	5867
1N579	116	1N706A	5009A	1N756A	5016A	1N949	116	1N962	5020A	1N1052	125	1N1251A	5867
1N580	116	1N707	5012A	1N757	5017A	1N950	116	1N962A	5020A	1N1053	125	1N1252A	5867
1N581	116	1N707A	5012A	1N757A-F	5017A	1N951	116	1N962B	5020A	1N1055	125	1N1253A	5867
1N582	116	1N708	5011A	1N758	5018A	1N952	116	1N962B-F	5020A	1N1056	125	1N1254A	5867
1N583	116	1N708A	5011A	1N758A	5018A	1N953	125	1N963	5021A	1N1057	125	1N1255A	5867
1N584	116	1N709	5013A	1N759	5019A	1N954	125	1N963A	5021A	1N1058	5860	1N1256A	5867
1N585	116	1N709A	5013A	1N760	5020A	1N955	125	1N963B	5021A	1N1059	5860	1N1257A	5867
1N586	116	1N709B	5013A	1N761	5021A	1N956	116	1N963B-F	5021A	1N1060	5860	1N1258A	5867
1N587	116	1N710	5014A	1N761A	5021A	1N957	116	1N964	5022A	1N1061	5860	1N1259A	5867
1N588	116	1N710A	5014A	1N762	5022A	1N958	116	1N964A	5022A	1N1062	5860	1N1260A	5867
1N589	116	1N711	5015A	1N762A	5022A	1N959	116	1N964B	5022A	1N1063	5860	1N1261A	5867
1N590	116	1N712	5016A	1N763	5023A	1N960	116	1N964B-F	5022A	1N1065	125	1N1262A	5867
1N591	116	1N713	5018A	1N763A	5023A	1N961	116	1N965	5024A	1N1066	5860	1N1263A	5867
1N592	116	1N713A	5018A	1N764	5024A	1N962	116	1N965A	5024A	1N1067	5860	1N1264A	5867
1N593	116	1N714	5019A	1N764A	5024A	1N963	116	1N965B	5024A	1N1068	5860	1N1265A	5867
1N594	116	1N714A	5019A	1N765	5025A	1N964	116	1N966	5025A	1N1069	5860	1N1266A	5867
1N595	116	1N715	5020A	1N765A	5025A	1N965	116	1N966A	5025A	1N1070	5860	1N1267A	5867
1N596	116	1N716	5021A	1N766	5026A	1N966	116	1N966B	5025A	1N1071	5860	1N1268A	5867
1N597	116	1N717	5022A	1N767	5027A	1N967	116	1N966B-F	5025A	1N1072	5860	1N1269A	5867
1N598	116	1N718	5023A	1N768	5028A	1N968	116	1N967	5027A	1N1073	5860	1N1270A	5867
1N599	116	1N718A	5024A	1N769	5029A	1N969	116	1N967A	5027A	1N1074	5860	1N1271A	5867
1N600	116	1N719	5025A	1N770	5030A	1N970	116	1N967B	5027A	1N1075	5860	1N1272A	5867
1N601	116	1N720	5026A	1N771	5031A	1N971	116	1N967B-F	5027A	1N1076	5860	1N1273A	5867
1N602	116	1N721	5027A	1N772	5032A	1N972	116	1N968	5028A	1N1077	5860	1N1274A	5867
1N603	116	1N722	5028A	1N773	5033A	1N973	116	1N968A	5028A	1N1078	5860	1N1275A	5867
1N604	116	1N723	5031A	1N774	5034A	1N974	116	1N968B	5028A	1N1079	5860	1N1276A	5867
1N605	116	1N724	5033A	1N775	5035A	1N975	116	1N969	5030A	1N1080	5860	1N1277A	5867
1N606	116	1N725	5034A	1N776	5036A	1N976	116	1N969A	5030A	1N1081	5860	1N1278A	5867
1N607	5830	1N726	5035A	1N777	5037A	1N977	116	1N969B	5030A	1N1082	5860	1N1279A	5867
1N607A	5830	1N727	5037A	1N778	5038A	1N978	116	1N970	5031A	1N1083	5860	1N1280A	5867
1N607R	5831	1N728	5038A	1N779	5039A	1N979	116	1N970A	5031A	1N1084	5860	1N1281A	5867
1N608	5834	1N729	5040A	1N780	5040A	1N980	116	1N970B	5031A	1N1085	5860	1N1282A	5867
1N608A	5834	1N730	5041A	1N781	5041A	1N981	116	1N970B-F	5031A	1N1086	5860	1N1283A	5867
1N609	5835	1N731	5041A	1N782	5042A	1N982	116	1N971	5033A	1N1087	5860	1N1284A	5867
1N609A	5835	1N732	5042A	1N783	5043A	1N983	116	1N971A	5033A	1N1088	5860	1N1285A	5867
1N610	5835	1N733	5043A	1N784	5044A	1N984	116	1N971B	5033A	1N1089	5860		

Table with 16 columns: To Be Replaced, ECG Replacement, To Be Replaced, ECG Replacement, To Be Replaced, ECG Replacement, To Be Replaced, ECG Replacement, To Be Replaced, ECG Replacement, To Be Replaced, ECG Replacement, To Be Replaced, ECG Replacement, To Be Replaced, ECG Replacement. Rows list various diode part numbers and their equivalents.

* , @ , + , \$, ! - See Special Notes on Page 2-2

To Be Replaced	ECG Replacement	To Be Replaced	ECG Replacement	To Be Replaced	ECG Replacement	To Be Replaced	ECG Replacement	To Be Replaced	ECG Replacement	To Be Replaced	ECG Replacement	To Be Replaced	ECG Replacement
1N1833	5215A	1N1948	5055A	1N2033-2	5070A	1N2069	116	1N2172R	6155	1N2256RA	5883	1N2432	6154
1N1834	5215A	1N1948A	5055A	1N2033A	5070A	1N2069A	116	1N2173R	6154	1N2257RA	5889	1N2432R	6155
1N1834A	5215A	1N1947	5054A	1N2034	5071A	1N2070	116	1N2173R	6155	1N2257RA	5889	1N2433	6154
1N1834A	5215A	1N1947A	5054A	1N2034-2	5071A	1N2070A	116	1N2174	6154	1N2257RA	5889	1N2433R	6155
1N1835	5217A	1N1954	5007A	1N2034-3	5071A	1N2071	116	1N2174R	6155	1N2258A	5882	1N2434	6156
1N1835A	5217A	1N1954A	5007A	1N2034A	5071A	1N2071A	116	1N2175	6154	1N2258R	5883	1N2434R	6157
1N1836	5219A	1N1955	5009A	1N2035	5072A	1N2072	116	1N2175R	6155	1N2258RA	5883	1N2435	6156
1N1836A	5219A	1N1955A	5009A	1N2035-1	5073A	1N2073	116	1N2176	5830	1N2259R	5883	1N2435R	6157
1N1839	177	1N1956	5011A	1N2035-2	139A	1N2074	116	1N2177R	5831	1N2260RA	5883	1N2436	6150
1N1840	177	1N1956A	5011A	1N2035-3	140A	1N2075	116	1N2178	5842	1N2260RA	5886	1N2436R	6155
1N1841	177	1N1957	5014A	1N2036A	139A	1N2076	116	1N2178R	5843	1N2260RA	5886	1N2437	6154
1N1842	178MP	1N1957A	5014A	1N2036A-2	139A	1N2076A	116	1N2179	5849	1N2260RA	5886	1N2437R	6155
1N1843	177	1N1958	5016A	1N2036A-3	139A	1N2077	116	1N2179R	5849	1N2261A	5887	1N2438	6154
1N1844	177	1N1958A	5016A	1N2036-2	140A	1N2077R	116	1N2180	5842	1N2261A	5887	1N2438R	6155
1N1845	177	1N1959	5019A	1N2036-3	5074A	1N2078	116	1N2180R	5842	1N2261RA	5887	1N2439	6154
1N1846	177	1N1959A	5019A	1N2036A	140A	1N2079	116	1N2181	5842	1N2262	5890	1N2439R	6155
1N1847	177	1N1960	5021A	1N2037	143A	1N2080	116	1N2181R	5843	1N2262A	5890	1N2440	6154
1N1875	5072A	1N1960A	5021A	1N2037-1	143A	1N2081	116	1N2182	5804	1N2262R	5891	1N2440R	6155
1N1875A	5072A	1N1960B	5021T1	1N2037-2	143A	1N2082	116	1N2182R	5804	1N2262RA	5891	1N2441	6154
1N1876	140A	1N1961	5023A	1N2037-3	143A	1N2083	116	1N2183	5847	1N2262RA	5891	1N2441R	6155
1N1876A	140A	1N1961A	5023A	1N2037A	143A	1N2084	116	1N2183R	5847	1N2263A	5891	1N2442	6154
1N1877	142A	1N1962	5027A	1N2038	5075A	1N2085	116	1N2184	5847	1N2263A	5891	1N2442R	6155
1N1877A	142A	1N1962A	5027A	1N2038-1	145A	1N2086	116	1N2184R	5847	1N2263RA	5891	1N2443	6154
1N1878	145A	1N1963	5030A	1N2038-2	5075A	1N2086	116	1N2185	5806	1N2263RA	5891	1N2443R	6155
1N1878A	145A	1N1963A	5030A	1N2038-3	5076A	1N2090	116	1N2185R	5806	1N2264A	5843	1N2444	6156
1N1879	5077A	1N1964	5033A	1N2038A	5076A	1N2091	116	1N2186	5843	1N2264A	5843	1N2444R	6157
1N1880	5080A	1N1965	5036A	1N2039	5078A	1N2092	116	1N2186R	5843	1N2264RA	5843	1N2445	6156
1N1880A	5080A	1N1965A	5036A	1N2039-1	5077A	1N2093	116	1N2187	5847	1N2264RA	5843	1N2445R	6157
1N1881	5080A	1N1966	5039A	1N2039-2	5078A	1N2094	116	1N2187R	5847	1N2265A	5847	1N2446	6020
1N1881A	5080A	1N1966A	5039A	1N2039-3	5079A	1N2095	116	1N2188	5806	1N2265A	5847	1N2446R	6021
1N1882	147A	1N1967	5040A	1N2039A	5078A	1N2096	116	1N2188R	5806	1N2266	5830	1N2447	6022
1N1882A	147A	1N1968	5042A	1N2040	5081A	1N2097	116	1N2189	5849	1N2266A	5831	1N2447R	6023
1N1882A	147A	1N1968A	5042A	1N2040-1	5080A	1N2103	116	1N2189R	5849	1N2266RA	5831	1N2448	6026
1N1883	5086A	1N1969	5047A	1N2040-2	5081A	1N2105	116	1N2190	5811	1N2266RA	5831	1N2448R	6027
1N1883A	5086A	1N1970	5047A	1N2040-3	5082A	1N2106	116	1N2190R	5811	1N2267A	5843	1N2449	6026
1N1884	5088A	1N1971	5050A	1N2040A	5082A	1N2107	116	1N2191	5808	1N2267A	5843	1N2449R	6027
1N1884A	5088A	1N1971A	5050A	1N2040-1	5081A	1N2108	116	1N2191R	5808	1N2267RA	5843	1N2450	6034
1N1885	5090A	1N1972	5053A	1N2040A	5081A	1N2109	116	1N2192	5808	1N2267RA	5843	1N2450R	6035
1N1885A	5090A	1N1973	5053A	1N2041-1	5176A	1N2115	116	1N2192R	5808	1N2268A	5843	1N2451	6034
1N1886	5092A	1N1974	5056A	1N2041-2	5177A	1N2116	116	1N2193	5849	1N2268A	5843	1N2451R	6035
1N1886A	5092A	1N1974A	5056A	1N2041A	5176A	1N2117	116	1N2193R	5849	1N2268RA	5843	1N2452	6034
1N1887	120A	1N1975	5177A	1N2041B	5177A	1N2118	116	1N2194	5808	1N2268RA	5843	1N2452R	6035
1N1887A	120A	1N1975A	5177A	1N2041C	5177A	1N2119	6020	1N2194R	5808	1N2269A	5843	1N2453	6034
1N1888	5096A	1N1976	5178A	1N2042	5178A	1N2128A	6020	1N2195	5808	1N2269A	5843	1N2453R	6035
1N1888A	5096A	1N1977	5178A	1N2042-1	5178A	1N2128A	6021	1N2195R	5808	1N2270A	5843	1N2454	6040
1N1889	5223A	1N1978	5191A	1N2042-2	5179A	1N2129A	6021	1N2196	5851	1N2270A	5843	1N2454R	6041
1N1889A	5223A	1N1978A	5191A	1N2042-3	5179A	1N2129A	6022	1N2196R	5851	1N2271A	5843	1N2455	6040
1N1890	5226A	1N1979	5021A	1N2042B	5179A	1N2129A	6022	1N2197	5850	1N2271A	5843	1N2455R	6041
1N1890A	5226A	1N1979A	5021A	1N2042C	5179A	1N2129A	6022	1N2197R	5850	1N2272A	5843	1N2456	6042
1N1891	5183A	1N1980	5021A	1N2043	5181A	1N2130A	6022	1N2198	5851	1N2272A	5843	1N2456R	6043
1N1891A	5183A	1N1980A	5021A	1N2043-1	5181A	1N2130A	6023	1N2198R	5851	1N2273A	5843	1N2457	6042
1N1892	5186A	1N1981	5024A	1N2043-2	5181A	1N2131	6022	1N2199	5851	1N2273A	5843	1N2457R	6043
1N1892A	5186A	1N1981A	5024A	1N2043-3	5181A	1N2131R	6022	1N2199R	5851	1N2274A	5843	1N2458	6020
1N1893	5191A	1N1982	5027A	1N2044	5182A	1N2131A	6022	1N2200	5851	1N2274A	5843	1N2458R	6021
1N1893A	5191A	1N1982A	5027A	1N2044-1	5182A	1N2131A	6023	1N2200R	5851	1N2275A	5843	1N2459	6022
1N1894	5191A	1N1983	5030A	1N2044-2	5182A	1N2132A	6023	1N2201	5851	1N2275A	5843	1N2459R	6023
1N1894A	5191A	1N1983A	5030A	1N2044-3	5182A	1N2132A	6024	1N2201R	5851	1N2276A	5843	1N2460	6026
1N1895	5194A	1N1984	5040A	1N2045	5184A	1N2132A	6024	1N2202	5851	1N2276A	5843	1N2460R	6027
1N1895A	5194A	1N1984A	5040A	1N2045-1	5184A	1N2132A	6025	1N2202R	5851	1N2277A	5843	1N2461	6026
1N1896	5197A	1N1985	5033A	1N2045-2	5184A	1N2133A	6025	1N2203	5851	1N2277A	5843	1N2461R	6027
1N1896A	5197A	1N1985A	5033A	1N2045-3	5184A	1N2133A	6026	1N2203R	5851	1N2278A	5843	1N2462	6035
1N1897	5200A	1N1986	5036A	1N2046	5185A	1N2133A	6026	1N2204	5851	1N2278A	5843	1N2462R	6036
1N1897A	5200A	1N1986A	5036A	1N2046-1	5185A	1N2134	6026	1N2204R	5851	1N2279A	5843	1N2463	6034
1N1898	5203A	1N1987	5038A	1N2046-2	5185A	1N2134A	6026	1N2205	5851	1N2279A	5843	1N2463R	6035
1N1898A	5203A	1N1987A	5038A	1N2046-3	5185A	1N2134A	6027	1N2205R	5851	1N2280A	5843	1N2464	6042
1N1899	5205A	1N1988	5040A	1N2047	5186A	1N2135A	6027	1N2205R	5851	1N2280A	5843	1N2464R	6043
1N1899A	5205A	1N1988A	5040A	1N2047-1	5186A	1N2135A	6028	1N2206	5851	1N2280A	5843	1N2465	6042
1N1900	5208A	1N1989	5042A	1N2047-2	5186A	1N2136A	6028	1N2206R	5851	1N2281A	5843	1N2465R	6043
1N1900A	5208A	1N1989A	5042A	1N2047-3	5186A	1N2136A	6029	1N2207	5851	1N2281A	5843	1N2466	6041
1N1901	5212A	1N1990	5045A	1N2048	5187A	1N2137A	6029	1N2207R	5851	1N2282A	5843	1N2466R	6042
1N1901A	5212A	1N1990A	5045A	1N2048-1	5187A	1N2137A	6030	1N2208	5851	1N2282A	5843	1N2467	6040
1N1902	5215A	1N1991	5047A	1N2048-2	5187A	1N2138A	6030	1N2208R	5851	1N2283A	5843	1N2467R	6041
1N1902A	5215A	1N1991A											

To Be Replaced	ECG Replacement	To Be Replaced	ECG Replacement	To Be Replaced	ECG Replacement	To Be Replaced	ECG Replacement	To Be Replaced	ECG Replacement	To Be Replaced	ECG Replacement		
1N2516	5842	1N2794	5944	1N2980BR	5192AK	1N2996BR	5210AK	1N3012RB	5227AK	1N3050A	5103A	1N3171RA	6359
1N2516R	5843	1N2794R	5945	1N2980R	5192AK	1N2997	5210A	1N3013	5229A	1N3050B	5103A	1N3172	6358
1N2517	5842	1N2795	5944	1N2980A	5192AK	1N2997A	5210A	1N3013A	5229A	1N3051	5105A	1N3172A	6358
1N2517R	5843	1N2795R	5945	1N2980RB	5192AK	1N2997AR	5210AK	1N3013AR	5229A	1N3051A	5105A	1N3172AR	6359
1N2519	5834	1N2796	5944	1N2981	5193A	1N2997B	5210A	1N3013B	5229A	1N3051B	5105A	1N3172B	6359
1N2519R	5835	1N2796R	5945	1N2981A	5193A	1N2997BR	5210AK	1N3013BR	5229A	1N3062	5107	1N3172RA	6359
1N2521	5938	1N2797	5948	1N2981AR	5193AK	1N2997T	5210AK	1N3013R	5228AK	1N3063	177	1N3173	6358
1N2522	5942	1N2797R	5949	1N2981B	5193A	1N2997TR	5210AK	1N3013RA	5228AK	1N3064	177	1N3173A	6358
1N2523	5842	1N2798	5948	1N2981BR	5193AK	1N2997TB	5210AK	1N3013RB	5228AK	1N3065	177	1N3173AR	6359
1N2524	5930	1N2798A	5949	1N2981R	5193AK	1N2998	5211A	1N3014	5230A	1N3066	177	1N3173B	6359
1N2525	5834	1N2798R	5948	1N2981RA	5193AK	1N2998A	5211A	1N3014A	5230A	1N3067	177	1N3173RA	6358
1N2529	5842	1N2799	5949	1N2981RB	5193AK	1N2998AR	5211AK	1N3014AR	5230AK	1N3068	177	1N3174	6358
1N2530	5842	1N2799R	5949	1N2982	5194A	1N2998B	5211A	1N3014B	5230A	1N3069	177	1N3174A	6358
1N2531	5846	1N2800	5949	1N2982A	5194A	1N2998BR	5211AK	1N3014BR	5230AK	1N3069M	177	1N3174AR	6359
1N2532	5846	1N2800R	5949	1N2982AR	5194AK	1N2998R	5211A	1N3014BR	5230AK	1N3070	177	1N3174A	6359
1N2533	5846	1N2801	5949	1N2982B	5194AK	1N2998RA	5211A	1N3014RB	5230AK	1N3071	177	1N3182	614
1N2534	5848	1N2846	5834	1N2982RA	5194AK	1N2998RB	5211AK	1N3014RB	5230AK	1N3072	116	1N3189	116
1N2535	5830	1N2849	5838	1N2983	5195A	1N2999	5212A	1N3015	5232A	1N3073	116	1N3190	116
1N2536	5834	1N2850	5838	1N2983A	5195A	1N2999A	5212A	1N3015A	5232A	1N3074	116	1N3191	116
1N2537	5834	1N2851	5842	1N2983AR	5195AK	1N2999AR	5212AK	1N3015AR	5232AK	1N3075	116	1N3193	116
1N2538	5838	1N2852	5842	1N2983B	5195A	1N2999B	5212A	1N3015B	5232A	1N3076	116	1N3194	116
1N2539	5838	1N2853	116	1N2983BR	5195AK	1N2999BR	5212AK	1N3015BR	5232AK	1N3077	116	1N3196	116
1N2540	5842	1N2854	116	1N2983R	5195AK	1N2999R	5212AK	1N3016	5232AK	1N3078	116	1N3196	125
1N2541	5846	1N2855	116	1N2983RA	5195AK	1N2999RA	5212AK	1N3016A	5232AK	1N3079	116	1N3197	177
1N2542	5846	1N2856A	116	1N2984	5196A	1N3000	5214A	1N3016B	5071A	1N3080	116	1N3203	116
1N2543	5848	1N2861	116	1N2984A	5196AK	1N3000A	5214A	1N3016BR	5071A	1N3081	116	1N3206	116
1N2544	5848	1N2861A	116	1N2984AR	5196AK	1N3000AR	5214AK	1N3017	138A	1N3082	116	1N3207	177
1N2545	5848	1N2862	116	1N2984B	5196AK	1N3000B	5214A	1N3017A	138A	1N3083	116	1N3208	5940
1N2546	5830	1N2862A	116	1N2984BR	5196AK	1N3000BR	5214AK	1N3017AR	138A	1N3085	432/6154	1N3209	5941
1N2547	5834	1N2863	116	1N2984R	5196AK	1N3000R	5214AK	1N3017B	138A	1N3085R	432/6155	1N3209R	5944
1N2548	5834	1N2863A	116	1N2984RA	5196AK	1N3000RA	5214AK	1N3018	5072A	1N3085RA	432/6155	1N3209R	5945
1N2549	5838	1N2864	116	1N2984RB	5196AK	1N3000RB	5214AK	1N3019	5072A	1N3086	116	1N3210	5944
1N2550	5838	1N2865	116	1N2984R	5196AK	1N3000R	5214A	1N3019A	5072A	1N3086R	432/6155	1N3210R	5945
1N2551	5838	1N2866	116	1N2985	5197A	1N3001	5215A	1N3019B	139A	1N3087	432/6154	1N3211	5944
1N2552	5842	1N2867	5808	1N2985A	5197AK	1N3001A	5215A	1N3019BR	139A	1N3088	432/6154	1N3211A	5949
1N2553	5846	1N2868	5808	1N2985AR	5197AK	1N3001AR	5215AK	1N3019B	139A	1N3088R	432/6154	1N3212	5948
1N2554	5846	1N2869	5809	1N2985B	5197A	1N3001B	5215A	1N3019BR	139A	1N3089	432/6154	1N3212R	5948
1N2555	5848	1N2870	125	1N2985BR	5197AK	1N3001BR	5215AK	1N3020	140A	1N3089R	432/6155	1N3212R	5949
1N2556	5848	1N2871	125	1N2985R	5197AK	1N3001R	5215AK	1N3020A	140A	1N3090	432/6155	1N3213	5952
1N2557	5866	1N2872	125	1N2985RA	5197AK	1N3001RA	5215AK	1N3020B	140A	1N3090R	432/6157	1N3213R	5953
1N2558	5866	1N2873	125	1N2985RB	5197AK	1N3001RB	5215AK	1N3021	5074A	1N3091	432/6156	1N3214	5952
1N2559	5868	1N2874	125	1N2986	5198A	1N3002	5216A	1N3021A	5074A	1N3091R	432/6157	1N3214R	5952
1N2560	5868	1N2875	125	1N2986A	5198A	1N3002A	5216A	1N3021AR	5074A	1N3092	432/6158	1N3215	125
1N2561	5866	1N2876	125	1N2986AR	5198AK	1N3002AR	5216AK	1N3021B	5074A	1N3092R	432/6159	1N3215R	116
1N2562	5866	1N2877	125	1N2986B	5198A	1N3002B	5216A	1N3022	142A	1N3093	432/6158	1N3216	116
1N2563	5866	1N2878	125	1N2986BR	5198AK	1N3002BR	5216AK	1N3022A	142A	1N3093R	432/6158	1N3216R	116
1N2564	5868	1N2879	125	1N2986R	5198AK	1N3002R	5216AK	1N3022B	142A	1N3094	116	1N3229	116
1N2565	5830	1N2880	116	1N2986RA	5198AK	1N3002RA	5216AK	1N3023	143A	1N3098	5097A	1N3230	116
1N2566	5830	1N2881	116	1N2986RB	5198AK	1N3002RB	5216AK	1N3023A	143A	1N3098A	5097A	1N3231	116
1N2567	5834	1N2882	116	1N2987	5199A	1N3003	5217A	1N3023B	143A	1N3099	5100A	1N3231	125
1N2568	5834	1N2883	116	1N2987A	5199A	1N3003A	5217A	1N3024	143A	1N3099R	5100A	1N3232	125
1N2569	5834	1N2884	116	1N2987AR	5199AK	1N3003AR	5217AK	1N3024A	145A	1N3100	5100A	1N3233	506
1N2570	5834	1N2885	116	1N2987B	5199A	1N3003B	5217A	1N3024A	145A	1N3100R	5100A	1N3233R	116
1N2571	5834	1N2886	116	1N2987BR	5199AK	1N3003BR	5217AK	1N3024B	145A	1N3101	5100A	1N3233R	116
1N2572	5834	1N2887	116	1N2987R	5199AK	1N3003R	5217AK	1N3025	5075A	1N3102	5223A	1N3239	116
1N2573	5834	1N2888	116	1N2987RA	5199AK	1N3003RA	5217AK	1N3025A	5075A	1N3102	5223A	1N3239	116
1N2574	5838	1N2889	116	1N2987RB	5199AK	1N3003RB	5217AK	1N3025B	5075A	1N3104	5230A	1N3240	116
1N2575	5838	1N2890	116	1N2988	5200A	1N3004	5219A	1N3026	5077A	1N3109	506	1N3241	116
1N2576	5870	1N2891	116	1N2988A	5200A	1N3004A	5219A	1N3026A	5077A	1N3110	506	1N3242	116
1N2577	5874	1N2892	116	1N2988AR	5200AK	1N3004AR	5219AK	1N3027	5079A	1N3111	110A	1N3244	506
1N2578	5874	1N2893	116	1N2988B	5200A	1N3004B	5219A	1N3027A	5079A	1N3111R	432/6154	1N3246	116
1N2579	5874	1N2894	116	1N2988BR	5200AK	1N3004BR	5219AK	1N3027B	5079A	1N3111R	432/6155	1N3247	116
1N2580	5878	1N2895	116	1N2988R	5200AK	1N3004R	5219AK	1N3028	5080A	1N3112	116	1N3247R	116
1N2581	5878	1N2896	116	1N2988RA	5200AK	1N3004RA	5219AK	1N3028A	5080A	1N3121	116	1N3249	116
1N2582	5882	1N2897	116	1N2988RB	5200AK	1N3004RB	5219AK	1N3028B	5080A	1N3122	110A	1N3249	116
1N2583	5886	1N2898	116	1N2989	5202A	1N3005	5220A	1N3029	5081A	1N3123	177	1N3251	125
1N2584	5886	1N2899	116	1N2989A	5202A	1N3005A	5220A	1N3029A	5081A	1N3124	177	1N3252	125
1N2585	5890	1N2900	116	1N2989AR	5202AK	1N3005AR	5220AK	1N3029B	5081A	1N3125	110A	1N3253	116
1N2586	5890	1N2901	116	1N2989B	5202A	1N3005B	5220A	1N3030	148A	1N3126	110A	1N3254	116
1N2587	5890	1N2902	116	1N2989BR	5202AK	1N3005BR	5220AK	1N3030A	148A	1N3127	110A	1N3255	116
1N2588	5890	1N2903	116	1N2989R	5202AK	1N3005R	5220AK	1N3030B	148A	1N3128	110A	1N3255	116
1N2589	5874	1N2904	116	1N2989RA	5202AK	1N3005RA	5220AK	1N3031	5084A	1N3129	110A	1N3256	116
1N2590	5878	1N2905	116	1N2989RB	5202AK	1N3005RB	5220AK	1N3031A	5084A	1N3130	110A	1N3257	116
1N2591	5878	1N2906	116	1N2990	5203A	1N3006	5221A	1N3031B	5084A	1N3131	110A	1N3258	116
1N2592	5882	1N2907	116	1N2990A	5203A	1N3006A	5221A	1N3032	147A	1N3147	177	1N3260	6355
1N2593	5882	1N2908	116	1N2990AR	5203AK	1N3006AR	5221AK	1N3032A	147A	1N3160	116	1N3260R	6355
1N2594	5886	1N2909	116	1N2990B	5203A	1N3006B	5221A	1N3032B	147A	1N3161	6354	1N3261	6354
1N2595	5886	1N2910	116	1N2990BR	5203AK	1N3006BR	5221AK	1N3032C	147A	1N3161A	6354	1N3261R	6355
1N2596	5874	1N2911	116	1N2990R	5203AK	1N3006R	5221A	1N3033	5085A	1N3161AR	6355	1N3262	6354
1N2597	5890	1N2912	116	1N2990RA	5203AK	1N3006RA	5221AK	1N3033A	5085A	1N3161R	6355	1N3262R	6355
1N2598	5890	1N2913	116	1N2990RB	5203AK	1N3006RB	5221AK	1N3033B	5				

To Be Replaced	ECG Replacement	To Be Replaced	ECG Replacement	To Be Replaced	ECG Replacement	To Be Replaced	ECG Replacement	To Be Replaced	ECG Replacement	To Be Replaced	ECG Replacement
IN3291	6154	IN3320B	5263A	IN3341RA	5286AK	IN3527	5031A	IN3677A	5072A	IN3742R	6363
IN3291A	6154	IN3320C	5263AK	IN3341RB	5286AK	IN3528	5033A	IN3677B	5072A	IN3744	6362
IN3291AR	6155	IN3320FA	5263AK	IN3342A	5287A	IN3529	5035A	IN3678	5073A	IN3744R	6363
IN3291R	6155	IN3320RB	5263AK	IN3342B	5287A	IN3530	5036A	IN3678A	5073A	IN3745	6364
IN3292	6156	IN3321	5264A	IN3342C	5287A	IN3531	5037A	IN3678B	5073A	IN3745R	6364
IN3292A	6156	IN3321A	5264A	IN3342D	5287AK	IN3532	5038A	IN3679	5074A	IN3746	6365
IN3292AR	6157	IN3321B	5264A	IN3342E	5287AK	IN3533	5039A	IN3679A	5074A	IN3746R	6365
IN3292B	6156	IN3321R	5264AK	IN3342F	5287AK	IN3534	5040A	IN3679B	5074A	IN3747	6366
IN3292R	6157	IN3321RA	5264AK	IN3343	5288A	IN3535	5041A	IN3680	5074A	IN3747R	6366
IN3292RB	6157	IN3321RB	5264AK	IN3343A	5288AK	IN3536	5042A	IN3680A	5074A	IN3748	6367
IN3293	6158	IN3322	5265A	IN3343B	5288AK	IN3537	5043A	IN3680B	5074A	IN3748R	6367
IN3293A	6158	IN3322A	5265A	IN3343C	5288AK	IN3538	5044A	IN3681	5074A	IN3749	6368
IN3293AR	6159	IN3322B	5265A	IN3343D	5288AK	IN3539	5045A	IN3681A	5074A	IN3749R	6368
IN3293B	6158	IN3322C	5265AK	IN3343E	5288AK	IN3540	5046A	IN3682	5075A	IN3750	6369
IN3293R	6159	IN3322D	5265AK	IN3343F	5288AK	IN3541	5047A	IN3682A	5075A	IN3750R	6369
IN3294	6159	IN3322E	5265AK	IN3344	5289A	IN3542	5048A	IN3682B	5075A	IN3751	6370
IN3294A	6159	IN3322FA	5265AK	IN3344A	5289AK	IN3543	5049A	IN3682C	5075A	IN3751R	6370
IN3294AR	6159	IN3322FB	5265AK	IN3344B	5289AK	IN3544	5050A	IN3682D	5075A	IN3752	6371
IN3294B	6159	IN3322C	5265AK	IN3344C	5289AK	IN3545	5051A	IN3682E	5075A	IN3752R	6371
IN3294R	6159	IN3322D	5265AK	IN3344D	5289AK	IN3546	5052A	IN3682F	5075A	IN3753	6372
IN3295	6159	IN3323	5266A	IN3344E	5289AK	IN3547	5053A	IN3682G	5075A	IN3753R	6372
IN3295A	6159	IN3323A	5266A	IN3344F	5289AK	IN3548	5054A	IN3682H	5075A	IN3754	6373
IN3295AR	6159	IN3323B	5266AK	IN3344G	5289AK	IN3549	5055A	IN3682I	5075A	IN3754R	6373
IN3295B	6159	IN3323C	5266AK	IN3344H	5289AK	IN3550	5056A	IN3682J	5075A	IN3755	6374
IN3295R	6159	IN3323D	5266AK	IN3344I	5289AK	IN3551	5057A	IN3682K	5075A	IN3755R	6374
IN3296	6162	IN3324	5268A	IN3344J	5289AK	IN3552	5058A	IN3682L	5075A	IN3756	6375
IN3296A	6162	IN3324A	5268A	IN3344K	5289AK	IN3553	5059A	IN3682M	5075A	IN3756R	6375
IN3296AR	6162	IN3324B	5268A	IN3344L	5289AK	IN3554	5060A	IN3682N	5075A	IN3757	6376
IN3296B	6162	IN3324C	5268A	IN3344M	5289AK	IN3555	5061A	IN3682P	5075A	IN3757R	6376
IN3296R	6162	IN3324D	5268A	IN3344N	5289AK	IN3556	5062A	IN3682Q	5075A	IN3758	6377
IN3297	6162	IN3324E	5268A	IN3344O	5289AK	IN3557	5063A	IN3682R	5075A	IN3758R	6377
IN3297A	6162	IN3324F	5268A	IN3344P	5289AK	IN3558	5064A	IN3682S	5075A	IN3759	6378
IN3297AR	6162	IN3324G	5268A	IN3344Q	5289AK	IN3559	5065A	IN3682T	5075A	IN3759R	6378
IN3297B	6162	IN3324H	5268A	IN3344R	5289AK	IN3560	5066A	IN3682U	5075A	IN3760	6379
IN3297R	6162	IN3324I	5268A	IN3344S	5289AK	IN3561	5067A	IN3682V	5075A	IN3760R	6379
IN3298	6162	IN3324J	5268A	IN3344T	5289AK	IN3562	5068A	IN3682W	5075A	IN3761	6380
IN3298A	6162	IN3324K	5268A	IN3344U	5289AK	IN3563	5069A	IN3682X	5075A	IN3761R	6380
IN3298AR	6162	IN3324L	5268A	IN3344V	5289AK	IN3564	5070A	IN3682Y	5075A	IN3762	6381
IN3298B	6162	IN3324M	5268A	IN3344W	5289AK	IN3565	5071A	IN3682Z	5075A	IN3762R	6381
IN3298R	6162	IN3324N	5268A	IN3344X	5289AK	IN3566	5072A	IN3683	5076A	IN3763	6382
IN3299	6162	IN3324O	5268A	IN3344Y	5289AK	IN3567	5073A	IN3683A	5076A	IN3763R	6382
IN3299A	6162	IN3324P	5268A	IN3344Z	5289AK	IN3568	5074A	IN3683B	5076A	IN3764	6383
IN3299AR	6162	IN3324Q	5268A	IN3345A	5290A	IN3569	5075A	IN3683C	5076A	IN3764R	6383
IN3299B	6162	IN3324R	5268A	IN3345B	5290A	IN3570	5076A	IN3683D	5076A	IN3765	6384
IN3299R	6162	IN3324S	5268A	IN3345C	5290A	IN3571	5077A	IN3683E	5076A	IN3765R	6384
IN3300	6406	IN3325	5269A	IN3345D	5290A	IN3572	5078A	IN3683F	5076A	IN3766	6385
IN3300A	6406	IN3325A	5269A	IN3345E	5290A	IN3573	5079A	IN3683G	5076A	IN3766R	6385
IN3300AR	6407	IN3325B	5269AK	IN3345F	5290A	IN3574	5080A	IN3683H	5076A	IN3767	6386
IN3300B	6407	IN3325C	5269AK	IN3345G	5290A	IN3575	5081A	IN3683I	5076A	IN3767R	6386
IN3300R	6407	IN3325D	5269AK	IN3345H	5290A	IN3576	5082A	IN3683J	5076A	IN3768	6387
IN3301	6407	IN3325E	5269AK	IN3345I	5290A	IN3577	5083A	IN3683K	5076A	IN3768R	6387
IN3301A	6407	IN3325F	5269AK	IN3345J	5290A	IN3578	5084A	IN3683L	5076A	IN3769	6388
IN3301AR	6407	IN3325G	5269AK	IN3345K	5290A	IN3579	5085A	IN3683M	5076A	IN3769R	6388
IN3301B	6407	IN3325H	5269AK	IN3345L	5290A	IN3580	5086A	IN3683N	5076A	IN3770	6389
IN3301R	6407	IN3325I	5269AK	IN3345M	5290A	IN3581	5087A	IN3683O	5076A	IN3770R	6389
IN3302	6407	IN3325J	5269AK	IN3345N	5290A	IN3582	5088A	IN3683P	5076A	IN3771	6390
IN3302A	6407	IN3325K	5269AK	IN3345O	5290A	IN3583	5089A	IN3683Q	5076A	IN3771R	6390
IN3302AR	6407	IN3325L	5269AK	IN3345P	5290A	IN3584	5090A	IN3683R	5076A	IN3772	6391
IN3302B	6407	IN3325M	5269AK	IN3345Q	5290A	IN3585	5091A	IN3683S	5076A	IN3772R	6391
IN3302R	6407	IN3325N	5269AK	IN3345R	5290A	IN3586	5092A	IN3683T	5076A	IN3773	6392
IN3303	6407	IN3325O	5269AK	IN3345S	5290A	IN3587	5093A	IN3683U	5076A	IN3773R	6392
IN3303A	6407	IN3325P	5269AK	IN3345T	5290A	IN3588	5094A	IN3683V	5076A	IN3774	6393
IN3303AR	6407	IN3325Q	5269AK	IN3345U	5290A	IN3589	5095A	IN3683W	5076A	IN3774R	6393
IN3303B	6407	IN3325R	5269AK	IN3345V	5290A	IN3590	5096A	IN3683X	5076A	IN3775	6394
IN3303R	6407	IN3325S	5269AK	IN3345W	5290A	IN3591	5097A	IN3683Y	5076A	IN3775R	6394
IN3304	6407	IN3325T	5269AK	IN3345X	5290A	IN3592	5098A	IN3683Z	5076A	IN3776	6395
IN3304A	6407	IN3325U	5269AK	IN3345Y	5290A	IN3593	5099A	IN3684	5077A	IN3776R	6395
IN3304AR	6407	IN3325V	5269AK	IN3345Z	5290A	IN3594	5100A	IN3684A	5077A	IN3777	6396
IN3304B	6407	IN3325W	5269AK	IN3346A	5291A	IN3595	5101A	IN3684B	5077A	IN3777R	6396
IN3304R	6407	IN3325X	5269AK	IN3346B	5291A	IN3596	5102A	IN3684C	5077A	IN3778	6397
IN3305	6407	IN3325Y	5269AK	IN3346C	5291A	IN3597	5103A	IN3684D	5077A	IN3778R	6397
IN3305A	6407	IN3326	5270A	IN3346D	5291A	IN3598	5104A	IN3684E	5077A	IN3779	6398
IN3305AR	6407	IN3326A	5270A	IN3346E	5291A	IN3599	5105A	IN3684F	5077A	IN3779R	6398
IN3305B	6407	IN3326B	5270A	IN3346F	5291A	IN3600	5106A	IN3684G	5077A	IN3780	6399
IN3305R	6407	IN3326C	5270A	IN3346G	5291A	IN3601	5107A	IN3684H	5077A	IN3780R	6399
IN3306	6407	IN3326D	5270A	IN3346H	5291A	IN3602	5108A	IN3684I	5077A	IN3781	6400
IN3306A	6407	IN3326E	5270A	IN3346I	5291A	IN3603	5109A	IN3684J	5077A	IN3781R	6400
IN3306AR	6407	IN3326F	5270A	IN3346J	5291A	IN3604	5110A	IN3684K	5077A	IN3782	6401
IN3306B	6407	IN3326G	5270A	IN3346K	5291A	IN3605	5111A	IN3684L	5077A	IN3782R	6401
IN3306R	6407	IN3326H	5270A	IN3346L	5291A	IN3606	5112A	IN3684M	5077A	IN3783	6402
IN3307	6407	IN3326I	5270A	IN3346M	5291A	IN3607	5113A	IN3684N	5077A	IN3783R	6402
IN3307A	6407	IN3326J	5270A	IN3346N	5291A	IN3608	5114A	IN3684O	5077A	IN3784	6403
IN3307AR	6407	IN3326K	5270A	IN3346O	5291A	IN3609	5115A	IN3684P	5077A	IN3784R	6403
IN3307B	6407	IN3326L	5270A	IN3346P	5291A	IN3610	5116A	IN3684Q	5077A	IN3785	6404
IN3307R	6407	IN3326M	5270A	IN3346Q	5291A	IN3611	5117A	IN3684R	5077A	IN3785R	6404
IN3308	6407	IN3326N	5270A	IN3346R	5291A	IN3612	5118A	IN3684S	5077A	IN3786	6405

To Be Replaced	ECG Replacement	To Be Replaced	ECG Replacement	To Be Replaced	ECG Replacement	To Be Replaced	ECG Replacement	To Be Replaced	ECG Replacement	To Be Replaced	ECG Replacement	To Be Replaced	ECG Replacement
IN3902M	6008	IN4002GP	116	IN4042B	5220A	IN4180A	5090A	IN4237A	5229A	IN4330	143A	IN4404A	140A
IN3903MR	6009	IN4002D	116	IN4043	5220B	IN4180B	5090B	IN4238	5230A	IN4330A	143A	IN4404B	140A
IN3903R	6009	IN4002E	116	IN4044	5220C	IN4181	5091A	IN4238A	5230A	IN4330B	143A	IN4405A	5074A
IN3903M	6009	IN4002S	116	IN4044R	5220D	IN4181A	5091A	IN4239	5232A	IN4331	145A	IN4405B	5074A
IN3903R	6009	IN4002T	116	IN4045	5220E	IN4181B	5091B	IN4239A	5232A	IN4331A	145A	IN4405C	5074A
IN3903R	6009	IN4002G	116	IN4045R	5220F	IN4182	5092A	IN4240	5177A	IN4331B	145A	IN4406	142A
IN3903R	6009	IN4003	116	IN4046	5220G	IN4182A	5092A	IN4241	5179A	IN4332	5075A	IN4406A	142A
IN3903R	6006	IN4003G	116	IN4046R	5220H	IN4182B	5092A	IN4242	177	IN4332A	5075A	IN4406B	142A
IN3909M	6006	IN4003P	116	IN4047	5220I	IN4183	5093A	IN4243	177	IN4332B	5075A	IN4407	142A
IN3909MR	6007	IN4003D	116	IN4047R	5220J	IN4183A	5093A	IN4244	177	IN4333	5077A	IN4407A	143A
IN3909R	6007	IN4003F	116	IN4048	5220K	IN4183B	5093B	IN4245	116	IN4333A	5077A	IN4407B	143A
IN3910	6008	IN4003P	116	IN4048R	5220L	IN4184	5094A	IN4245GP	116	IN4333B	5077A	IN4408	145A
IN3910M	6006	IN4003RL	116	IN4049	5220M	IN4184A	5094A	IN4246	116	IN4334	5079A	IN4408A	145A
IN3910MR	6007	IN4003S	116	IN4049R	5220N	IN4184B	5094B	IN4246GP	116	IN4334A	5079A	IN4408B	145A
IN3910R	6007	IN4003SG	116	IN4050	5220O	IN4185	5095A	IN4247	116	IN4334B	5079A	IN4409	145A
IN3911	6006	IN4003TA	116	IN4050R	5220P	IN4185A	5095A	IN4247GP	116	IN4335	5080A	IN4409A	5075A
IN3911M	6006	IN4003Z	116	IN4051	5220Q	IN4185B	5095A	IN4248	125	IN4335A	5080A	IN4409B	5075A
IN3911MR	6007	IN4004	116	IN4051R	5220R	IN4186	5096A	IN4248GP	125	IN4335B	5080A	IN4410	5077A
IN3911R	6007	IN4004D	116	IN4052	5220S	IN4186A	5096A	IN4249	125	IN4336	5081A	IN4410A	5077A
IN3912	6008	IN4004GP	116	IN4052R	5220T	IN4186B	5096B	IN4249GP	125	IN4336A	5081A	IN4410B	5077A
IN3912M	6009	IN4004J	116	IN4053	5220U	IN4187	5100A	IN4250	125	IN4336B	5081A	IN4411	5079A
IN3912MR	6009	IN4004S	116	IN4053R	5220V	IN4187A	5101A	IN4251	125	IN4337	146A	IN4411A	5079A
IN3912R	6009	IN4004SG	116	IN4054	5220W	IN4187B	5101A	IN4252	506	IN4337A	146A	IN4411B	5079A
IN3913	6008	IN4004TA	116	IN4054R	5220X	IN4188	5097A	IN4253	5181A	IN4337B	146A	IN4412	5080A
IN3913M	6008	IN4005	116	IN4055	5220Y	IN4188A	5097A	IN4256A	5181A	IN4338	5084A	IN4412A	5080A
IN3913MR	6009	IN4005B	116	IN4055R	5220Z	IN4188B	5097A	IN4256B	5182A	IN4338A	5084A	IN4412B	5080A
IN3913R	6009	IN4005G	116	IN4056	5220AA	IN4189	5098A	IN4256C	5182A	IN4338B	5084A	IN4413	5081A
IN3914	507	IN4005GP	116	IN4056R	5220AB	IN4189A	5098A	IN4256D	5183A	IN4339	147A	IN4413A	5081A
IN3915	506	IN4005D	116	IN4057	5220AC	IN4189B	5098A	IN4256E	5183A	IN4339A	147A	IN4413B	5081A
IN3915R	5888	IN4005S	116	IN4057R	5220AD	IN4190	5100A	IN4256F	5184A	IN4339B	147A	IN4414	146A
IN3915R	5889	IN4005SG	116	IN4058	5220AE	IN4190A	5100A	IN4256G	5185A	IN4340	5085A	IN4414A	146A
IN3924	5890	IN4006	125	IN4058R	5220AF	IN4190B	5100A	IN4256H	5186A	IN4340A	5085A	IN4414B	146A
IN3924M	5891	IN4006G	125	IN4059	5220AG	IN4191	5101A	IN4262A	5186A	IN4340B	5085A	IN4415	5084A
IN3929	125	IN4006GP	125	IN4060	5220AH	IN4191A	5101A	IN4262B	5187A	IN4341	5086A	IN4415A	5084A
IN3947	137A	IN4006D	125	IN4061	5220AI	IN4191B	5101A	IN4262C	5187A	IN4341A	5086A	IN4415B	5084A
IN3948	5196A	IN4006S	125	IN4062	5220AJ	IN4192	5103A	IN4262D	5187A	IN4341B	5086A	IN4416	147A
IN3950	5135A	IN4006SG	125	IN4063	5220AK	IN4192A	5103A	IN4262E	5188A	IN4342	5087A	IN4416A	147A
IN3951	5136A	IN4007	125	IN4064	5220AL	IN4193	5105A	IN4262F	5189A	IN4342A	5087A	IN4417	5085A
IN3952	116	IN4007G	125	IN4065	5220AM	IN4193A	5105A	IN4262G	5189A	IN4343	5088A	IN4417A	5085A
IN3953	177	IN4007GP	125	IN4066	5220AN	IN4194	5106A	IN4262H	5191A	IN4343A	5088A	IN4417B	5085A
IN3954	177	IN4007D	125	IN4067	5220AO	IN4194A	5106A	IN4262I	5191A	IN4343B	5088A	IN4418	5086A
IN3956	177	IN4007S	125	IN4068	5220AP	IN4195	5108A	IN4262J	5192A	IN4344	5089A	IN4418A	5086A
IN3957	5809	IN4007SG	125	IN4069	5220AQ	IN4195A	5108A	IN4262K	5192A	IN4344A	5089A	IN4418B	5086A
IN3957GP	125	IN4009	519	IN4070	5220AR	IN4196	5109A	IN4262L	5194A	IN4344B	5089A	IN4419	5087A
IN3959M	5917	IN4011	125	IN4071	5220AS	IN4196A	5109A	IN4262M	5194A	IN4345	5090A	IN4419A	5087A
IN3959MR	5820	IN4012	586	IN4072	5220AT	IN4197	5110A	IN4262N	5196A	IN4345A	5090A	IN4419B	5087A
IN3959R	5921	IN4013	586	IN4073	5220AU	IN4197A	5110A	IN4262O	5196A	IN4345B	5090A	IN4420	5088A
IN3967R	5929	IN4013R	586	IN4074	5220AV	IN4198	5111A	IN4262P	5198A	IN4346	5091A	IN4420A	5088A
IN3968	6026	IN4014	5890	IN4075	5220AW	IN4198A	5111A	IN4262Q	5198A	IN4346A	5091A	IN4420B	5088A
IN3968R	6027	IN4014R	5891	IN4076	5220AX	IN4199	5112A	IN4262R	5199A	IN4346B	5091A	IN4421	5089A
IN3969	6034	IN4015	5890	IN4077	5220AY	IN4199A	5112A	IN4262S	5199A	IN4347	5092A	IN4421A	5089A
IN3969R	6035	IN4015R	5891	IN4078	5220AZ	IN4199B	5112A	IN4262T	5200A	IN4347A	5092A	IN4421B	5089A
IN3970	6040	IN4016	5183A	IN4079	5220BA	IN4200	5113A	IN4262U	5200A	IN4347B	5092A	IN4422	5090A
IN3970R	6041	IN4016A	5183A	IN4080	5220BB	IN4200A	5113A	IN4262V	5200A	IN4348	5093A	IN4422A	5090A
IN3971	6043	IN4016B	5183A	IN4081	5220BC	IN4201	5114A	IN4262W	5202A	IN4348A	5093A	IN4422B	5090A
IN3971R	6045	IN4016S	5183A	IN4082	5220BD	IN4201A	5114A	IN4262X	5203A	IN4348B	5093A	IN4423	148A
IN3972	6154	IN4017	5185A	IN4083	5220BE	IN4202	5115A	IN4262Y	5203A	IN4349	5094A	IN4423A	148A
IN3972R	6155	IN4017A	5185A	IN4084	5220BF	IN4202A	5115A	IN4262Z	5204A	IN4349A	5094A	IN4424	149A
IN3973	6155	IN4017B	5185A	IN4085	5220BG	IN4203	5116A	IN4263	5204A	IN4349B	5094A	IN4424A	149A
IN3973R	6155	IN4017C	5185A	IN4086	5220BH	IN4203A	5116A	IN4264	5205A	IN4349C	5094A	IN4424B	149A
IN3974	6158	IN4018	5186A	IN4087	5220BI	IN4204	5117A	IN4265	5206A	IN4350	5095A	IN4425	5093A
IN3974R	6157	IN4018A	5186A	IN4088	5220BJ	IN4204A	5117A	IN4266	5206A	IN4350A	5095A	IN4425A	5093A
IN3975	6158	IN4018B	5186A	IN4089	5220BK	IN4205	5118A	IN4267	5207A	IN4351	5096A	IN4426	5094A
IN3975R	6159	IN4018R	5187A	IN4090	5220BL	IN4205A	5118A	IN4268	5208A	IN4351A	5096A	IN4426A	5094A
IN3976	6354	IN4019	5187A	IN4091	5220BM	IN4206	5119A	IN4269	5209A	IN4351B	5096A	IN4426B	5094A
IN3976R	6355	IN4019A	5187A	IN4092	5220BN	IN4206A	5119A	IN4270	5210A	IN4352	5097A	IN4427	5095A
IN3977	6355	IN4020	5188A	IN4093	5220BO	IN4207	5120A	IN4271	5210A	IN4352A	5097A	IN4427A	5095A
IN3977R	6355	IN4020A	5188A	IN4094	5220BP	IN4207A	5120A	IN4272	5211A	IN4352B	5097A	IN4427B	5095A
IN3978	6357	IN4021	5189A	IN4095	5220BQ	IN4208	5121A	IN4273	5212A	IN4353	5097A	IN4428	5095A
IN3981	5802	IN4021B	5189A	IN4096	5220BQ	IN4208A	5121A	IN4274	5213A	IN4353A	5097A	IN4428A	5095A
IN3982	5804	IN4022	5191A	IN4097	5220BR	IN4209	5122A	IN4275	5214A	IN4353B	5097A	IN4429	5096A
IN3983	5808	IN4022A	5191A	IN4098	5220BS	IN4209A	5122A	IN4276	5215A	IN4354	5098A	IN4429A	5096A
IN3984	5178AK	IN4022B	5191A	IN4099	5220BT	IN4210	5123A	IN4277	5216A	IN4354A	5098A	IN4429B	5096A
IN3984A	5178AK	IN4023	5192A	IN4100	5220BU	IN4210A	5123A	IN4278	5217A	IN4354B	5098A	IN4430	5097A
IN3985	5178AK	IN4023A	5192A	IN4101	5220BV	IN4211	5124A	IN4279	5218A	IN4355	5100A	IN443	

To Be Replaced	ECG Replacement	To Be Replaced	ECG Replacement	To Be Replaced	ECG Replacement	To Be Replaced	ECG Replacement	To Be Replaced	ECG Replacement	To Be Replaced	ECG Replacement	To Be Replaced	ECG Replacement
1N4482	5147A	1N4613	5084A	1N4834B	5127A	1N4951	178MF	1N5047A	5151A	1N5219	177	1N5283	5042A
1N4483	5148A	1N4614	5085A	1N4835B	5128A	1N4952	179MF	1N5048A	5152A	1N5220	177	1N5284	5043A
1N4484	5150A	1N4615	5086A	1N4836B	5129A	1N4953	5120A	1N5049A	5153A	1N5221A	5000A	1N5285B	5042A
1N4485	5151A	1N4616	5087A	1N4837B	5130A	1N4954	5121A	1N5050A	5154A	1N5222A	5000A	1N5286A	5043A
1N4486	5152A	1N4617	5088A	1N4838B	5131A	1N4955	5122A	1N5051A	5155A	1N5223A	5000A	1N5287A	5043A
1N4487	5153A	1N4618	5089A	1N4839B	5132A	1N4956	5123A	1N5052A	5156A	1N5224A	5000A	1N5288A	5044A
1N4488	5154A	1N4619	5090A	1N4840B	5133A	1N4957	5124A	1N5053A	5157A	1N5225A	5000A	1N5289A	5044A
1N4489	5155A	1N4620	5091A	1N4841B	5134A	1N4958	5125A	1N5054A	5158A	1N5226A	5000A	1N5290A	5044A
1N4490	5156A	1N4621	5092A	1N4842B	5135A	1N4959	5126A	1N5055A	5159A	1N5227A	5000A	1N5291A	5044A
1N4491	5157A	1N4622	5093A	1N4843B	5136A	1N4960	5127A	1N5056A	5160A	1N5228A	5000A	1N5292A	5044A
1N4492	5158A	1N4623	5094A	1N4844B	5137A	1N4961	5128A	1N5057A	5161A	1N5229A	5000A	1N5293A	5044A
1N4493	5159A	1N4624	5095A	1N4845B	5138A	1N4962	5129A	1N5058A	5162A	1N5230A	5000A	1N5294A	5044A
1N4494	5160A	1N4625	5096A	1N4846B	5139A	1N4963	5130A	1N5059A	5163A	1N5231A	5000A	1N5295A	5044A
1N4495	5161A	1N4626	5097A	1N4847B	5140A	1N4964	5131A	1N5060A	5164A	1N5232A	5000A	1N5296A	5044A
1N4496	5162A	1N4627	5098A	1N4848B	5141A	1N4965	5132A	1N5061A	5165A	1N5233A	5000A	1N5297A	5044A
1N4497	5163A	1N4628	5099A	1N4849B	5142A	1N4966	5133A	1N5062A	5166A	1N5234A	5000A	1N5298A	5044A
1N4498	5164A	1N4629	5100A	1N4850B	5143A	1N4967	5134A	1N5063A	5167A	1N5235A	5000A	1N5299A	5044A
1N4499	5165A	1N4630	5101A	1N4851B	5144A	1N4968	5135A	1N5064A	5168A	1N5236A	5000A	1N5300A	5044A
1N4500	5166A	1N4631	5102A	1N4852B	5145A	1N4969	5136A	1N5065A	5169A	1N5237A	5000A	1N5301A	5044A
1N4501	5167A	1N4632	5103A	1N4853B	5146A	1N4970	5137A	1N5066A	5170A	1N5238A	5000A	1N5302A	5044A
1N4502	5168A	1N4633	5104A	1N4854B	5147A	1N4971	5138A	1N5067A	5171A	1N5239A	5000A	1N5303A	5044A
1N4503	5169A	1N4634	5105A	1N4855B	5148A	1N4972	5139A	1N5068A	5172A	1N5240A	5000A	1N5304A	5044A
1N4504	5170A	1N4635	5106A	1N4856B	5149A	1N4973	5140A	1N5069A	5173A	1N5241A	5000A	1N5305A	5044A
1N4505	5171A	1N4636	5107A	1N4857B	5150A	1N4974	5141A	1N5070A	5174A	1N5242A	5000A	1N5306A	5044A
1N4506	5172A	1N4637	5108A	1N4858B	5151A	1N4975	5142A	1N5071A	5175A	1N5243A	5000A	1N5307A	5044A
1N4507	5173A	1N4638	5109A	1N4859B	5152A	1N4976	5143A	1N5072A	5176A	1N5244A	5000A	1N5308A	5044A
1N4508	5174A	1N4639	5110A	1N4860B	5153A	1N4977	5144A	1N5073A	5177A	1N5245A	5000A	1N5309A	5044A
1N4509	5175A	1N4640	5111A	1N4861B	5154A	1N4978	5145A	1N5074A	5178A	1N5246A	5000A	1N5310A	5044A
1N4510	5176A	1N4641	5112A	1N4862B	5155A	1N4979	5146A	1N5075A	5179A	1N5247A	5000A	1N5311A	5044A
1N4511	5177A	1N4642	5113A	1N4863B	5156A	1N4980	5147A	1N5076A	5180A	1N5248A	5000A	1N5312A	5044A
1N4512	5178A	1N4643	5114A	1N4864B	5157A	1N4981	5148A	1N5077A	5181A	1N5249A	5000A	1N5313A	5044A
1N4513	5179A	1N4644	5115A	1N4865B	5158A	1N4982	5149A	1N5078A	5182A	1N5250A	5000A	1N5314A	5044A
1N4514	5180A	1N4645	5116A	1N4866B	5159A	1N4983	5150A	1N5079A	5183A	1N5251A	5000A	1N5315A	5044A
1N4515	5181A	1N4646	5117A	1N4867B	5160A	1N4984	5151A	1N5080A	5184A	1N5252A	5000A	1N5316A	5044A
1N4516	5182A	1N4647	5118A	1N4868B	5161A	1N4985	5152A	1N5081A	5185A	1N5253A	5000A	1N5317A	5044A
1N4517	5183A	1N4648	5119A	1N4869B	5162A	1N4986	5153A	1N5082A	5186A	1N5254A	5000A	1N5318A	5044A
1N4518	5184A	1N4649	5120A	1N4870B	5163A	1N4987	5154A	1N5083A	5187A	1N5255A	5000A	1N5319A	5044A
1N4519	5185A	1N4650	5121A	1N4871B	5164A	1N4988	5155A	1N5084A	5188A	1N5256A	5000A	1N5320A	5044A
1N4520	5186A	1N4651	5122A	1N4872B	5165A	1N4989	5156A	1N5085A	5189A	1N5257A	5000A	1N5321A	5044A
1N4521	5187A	1N4652	5123A	1N4873B	5166A	1N4990	5157A	1N5086A	5190A	1N5258A	5000A	1N5322A	5044A
1N4522	5188A	1N4653	5124A	1N4874B	5167A	1N4991	5158A	1N5087A	5191A	1N5259A	5000A	1N5323A	5044A
1N4523	5189A	1N4654	5125A	1N4875B	5168A	1N4992	5159A	1N5088A	5192A	1N5260A	5000A	1N5324A	5044A
1N4524	5190A	1N4655	5126A	1N4876B	5169A	1N4993	5160A	1N5089A	5193A	1N5261A	5000A	1N5325A	5044A
1N4525	5191A	1N4656	5127A	1N4877B	5170A	1N4994	5161A	1N5090A	5194A	1N5262A	5000A	1N5326A	5044A
1N4526	5192A	1N4657	5128A	1N4878B	5171A	1N4995	5162A	1N5091A	5195A	1N5263A	5000A	1N5327A	5044A
1N4527	5193A	1N4658	5129A	1N4879B	5172A	1N4996	5163A	1N5092A	5196A	1N5264A	5000A	1N5328A	5044A
1N4528	5194A	1N4659	5130A	1N4880B	5173A	1N4997	5164A	1N5093A	5197A	1N5265A	5000A	1N5329A	5044A
1N4529	5195A	1N4660	5131A	1N4881B	5174A	1N4998	5165A	1N5094A	5198A	1N5266A	5000A	1N5330A	5044A
1N4530	5196A	1N4661	5132A	1N4882B	5175A	1N4999	5166A	1N5095A	5199A	1N5267A	5000A	1N5331A	5044A
1N4531	5197A	1N4662	5133A	1N4883B	5176A	1N5000	5167A	1N5096A	5200A	1N5268A	5000A	1N5332A	5044A
1N4532	5198A	1N4663	5134A	1N4884B	5177A	1N5001	5168A	1N5097A	5201A	1N5269A	5000A	1N5333A	5044A
1N4533	5199A	1N4664	5135A	1N4885B	5178A	1N5002	5169A	1N5098A	5202A	1N5270A	5000A	1N5334A	5044A
1N4534	5200A	1N4665	5136A	1N4886B	5179A	1N5003	5170A	1N5099A	5203A	1N5271A	5000A	1N5335A	5044A
1N4535	5201A	1N4666	5137A	1N4887B	5180A	1N5004	5171A	1N5100A	5204A	1N5272A	5000A	1N5336A	5044A
1N4536	5202A	1N4667	5138A	1N4888B	5181A	1N5005	5172A	1N5101A	5205A	1N5273A	5000A	1N5337A	5044A
1N4537	5203A	1N4668	5139A	1N4889B	5182A	1N5006	5173A	1N5102A	5206A	1N5274A	5000A	1N5338A	5044A
1N4538	5204A	1N4669	5140A	1N4890B	5183A	1N5007	5174A	1N5103A	5207A	1N5275A	5000A	1N5339A	5044A
1N4539	5205A	1N4670	5141A	1N4891B	5184A	1N5008	5175A	1N5104A	5208A	1N5276A	5000A	1N5340A	5044A
1N4540	5206A	1N4671	5142A	1N4892B	5185A	1N5009	5176A	1N5105A	5209A	1N5277A	5000A	1N5341A	5044A
1N4541	5207A	1N4672	5143A	1N4893B	5186A	1N5010	5177A	1N5106A	5210A	1N5278A	5000A	1N5342A	5044A
1N4542	5208A	1N4673	5144A	1N4894B	5187A	1N5011	5178A	1N5107A	5211A	1N5279A	5000A	1N5343A	5044A
1N4543	5209A	1N4674	5145A	1N4895B	5188A	1N5012	5179A	1N5108A	5212A	1N5280A	5000A	1N5344A	5044A
1N4544	5210A	1N4675	5146A	1N4896B	5189A	1N5013	5180A	1N5109A	5213A	1N5281A	5000A	1N5345A	5044A
1N4545	5211A	1N4676	5147A	1N4897B	5190A	1N5014	5181A	1N5110A	5214A	1N5282A	5000A	1N5346A	5044A
1N4546	5212A	1N4677	5148A	1N4898B	5191A	1N5015	5182A	1N5111A	5215A	1N5283A	5000A	1N5347A	5044A
1N4547	5213A	1N4678	5149A	1N4899B	5192A	1N5016	5183A	1N5112A	5216A	1N5284A	5000A	1N5348A	5044A
1N4548	5214A	1N4679	5150A	1N4900B	5193A	1N5017	5184A	1N5113A	5217A	1N5285A	5000A	1N5349A	5044A
1N4549	5215A	1N4680	5151A	1N4901B	5194A	1N5018	5185A	1N5114A	5218A	1N5286A	5000A	1N5350A	5044A
1N4550	5216A	1N4681	5152A	1N4902B	5195A	1N5019	5186A	1N5115A	5219A	1N5287A	5000A	1N5351A	5044A
1N4551	5217A	1N4682	5153A	1N4903B	5196A	1N5020	5187A	1N5116A	5220A	1N5288A	5000A	1N5352A	5044A
1N4552	5218A	1N4683	5154A	1N4904B	5197A	1N5021	5188A	1N5117A	5221A	1N5289A	5000A	1N5353A	5044A
1N4553	5219A	1N4684	5155A	1N4905B	5198A	1N5022	5189A	1N5118A	5222A	1N5290A	5000A	1N5354A	5044A
1N4554	5220A	1N4685	5156A	1N4906B	5199A	1N5023	5190A	1N5119A	5223A	1N5291A	5000A	1N5355A	5044A
1N4555	5221A	1N4686	5157A	1N4907B	5200A	1N5024	5191A	1N5120A	5224A	1N5292A	5000A	1N5356A	5044A
1N4556	5222A	1N4687	5158A	1N4908B	5201A	1N5025	5192A	1N5121A	5225A	1N5293A	5000A	1N5357A	5044A
1N4557	5223A	1N4688	5159A	1N4909B	5202A	1N5026	5193A	1N5122A	5226A	1N5294A	5000A	1N5358A	5044A
1N4558	5224A	1N4689	5160A	1N4910B	5203A	1N5027	5194A	1N5123A	5227A	1N5295A	5000A	1N5359A	5044A
1N4559	5225A	1N4690	5161A	1N4911B	5204A	1N5028	5195A	1N5124A	5228A</				

To Be Replaced	ECG Replacement	To Be Replaced	ECG Replacement	To Be Replaced	ECG Replacement	To Be Replaced	ECG Replacement	To Be Replaced	ECG Replacement	To Be Replaced	ECG Replacement
1N5353B	5131A	1N5390GP	5808	1N5541	5030A	1N5594	5109A	1N5731B	5013A	1N5864B	5027A
1N5354B	5132A	1N5399	5809	1N5541A	5030A	1N5594A	5109A	1N5732	5014A	1N5865A	5028A
1N5354B	5132A	1N5399GP	5809	1N5541B	5030A	1N5594B	5109A	1N5732B	5014A	1N5865B	5028A
1N5355B	5133A	1N5400	5809	1N5542	5031A	1N5595	5110A	1N5733	5015A	1N5866A	5029A
1N5355B	5133A	1N5400G	5809	1N5542B	5031A	1N5595B	5110A	1N5734	5016A	1N5867A	5030A
1N5356B	5134A	1N5401	5809	1N5543	5032A	1N5596	5111A	1N5735	5017A	1N5868A	5031A
1N5356B	5134A	1N5401G	5809	1N5543B	5032A	1N5596B	5111A	1N5736	5018A	1N5869A	5032A
1N5357A	5135A	1N5402	5809	1N5544	5033A	1N5597	5112A	1N5737	5019A	1N5870A	5033A
1N5357B	5136A	1N5403	5809	1N5544B	5033A	1N5597B	5112A	1N5738	5020A	1N5871A	5034A
1N5358A	5136A	1N5404	5809	1N5545	5034A	1N5598	5113A	1N5739	5021A	1N5872A	5035A
1N5358B	5136A	1N5404G	5809	1N5545B	5034A	1N5598B	5113A	1N5740	5022A	1N5873A	5036A
1N5359A	5137A	1N5405	5809	1N5546	5035A	1N5599	5114A	1N5741	5023A	1N5874A	5037A
1N5359B	5137A	1N5405G	5809	1N5547	5036A	1N5600	5115A	1N5742	5024A	1N5875A	5038A
1N5360A	5138A	1N5406	5809	1N5548	5037A	1N5601	5116A	1N5743	5025A	1N5876A	5039A
1N5360B	5138A	1N5406G	5809	1N5549	5038A	1N5602	5117A	1N5744	5026A	1N5877A	5040A
1N5361	5139A	1N5407	5809	1N5550	580	1N5603	5118A	1N5745	5027A	1N5878A	5041A
1N5361A	5139A	1N5407G	5809	1N5551	580	1N5604	5119A	1N5746	5028A	1N5879A	5042A
1N5362	5140A	1N5408	5809	1N5552	580	1N5605	5120A	1N5747	5029A	1N5880A	5043A
1N5362A	5140A	1N5408G	5809	1N5553	580	1N5606	5121A	1N5748	5030A	1N5881A	5044A
1N5363	5141A	1N5409	5809	1N5554	580	1N5607	5122A	1N5749	5031A	1N5882A	5045A
1N5363A	5141A	1N5409G	5809	1N5555	580	1N5608	5123A	1N5750	5032A	1N5883A	5046A
1N5364	5142A	1N5410	5809	1N5556	580	1N5609	5124A	1N5751	5033A	1N5884A	5047A
1N5364A	5142A	1N5410G	5809	1N5557	580	1N5610	5125A	1N5752	5034A	1N5885A	5048A
1N5365	5143A	1N5411	5809	1N5558	580	1N5611	5126A	1N5753	5035A	1N5886A	5049A
1N5365A	5143A	1N5411G	5809	1N5559	580	1N5612	5127A	1N5754	5036A	1N5887A	5050A
1N5366	5144A	1N5412	5809	1N5560	580	1N5613	5128A	1N5755	5037A	1N5888A	5051A
1N5366A	5144A	1N5412G	5809	1N5561	580	1N5614	5129A	1N5756	5038A	1N5889A	5052A
1N5367	5145A	1N5413	5809	1N5562	580	1N5615	5130A	1N5757	5039A	1N5890A	5053A
1N5367A	5145A	1N5413G	5809	1N5563	580	1N5616	5131A	1N5758	5040A	1N5891A	5054A
1N5368	5146A	1N5414	5809	1N5564	580	1N5617	5132A	1N5759	5041A	1N5892A	5055A
1N5368A	5146A	1N5414G	5809	1N5565	580	1N5618	5133A	1N5760	5042A	1N5893A	5056A
1N5369	5147A	1N5415	5809	1N5566	580	1N5619	5134A	1N5761	5043A	1N5894A	5057A
1N5369A	5147A	1N5415G	5809	1N5567	580	1N5620	5135A	1N5762	5044A	1N5895A	5058A
1N5370B	5148A	1N5416	5809	1N5568	580	1N5621	5136A	1N5763	5045A	1N5896A	5059A
1N5371	5149A	1N5417	5809	1N5569	580	1N5622	5137A	1N5764	5046A	1N5897A	5060A
1N5371A	5149A	1N5417G	5809	1N5570	580	1N5623	5138A	1N5765	5047A	1N5898A	5061A
1N5372	5150A	1N5418	5809	1N5571	580	1N5624	5139A	1N5766	5048A	1N5899A	5062A
1N5372A	5150A	1N5418G	5809	1N5572	580	1N5625	5140A	1N5767	5049A	1N5900A	5063A
1N5373	5151A	1N5419	5809	1N5573	580	1N5626	5141A	1N5768	5050A	1N5901A	5064A
1N5373A	5151A	1N5419G	5809	1N5574	580	1N5627	5142A	1N5769	5051A	1N5902A	5065A
1N5374	5152A	1N5420	5809	1N5575	580	1N5628	5143A	1N5770	5052A	1N5903A	5066A
1N5374A	5152A	1N5420G	5809	1N5576	580	1N5629	5144A	1N5771	5053A	1N5904A	5067A
1N5375	5153A	1N5421	5809	1N5577	580	1N5630	5145A	1N5772	5054A	1N5905A	5068A
1N5375A	5153A	1N5421G	5809	1N5578	580	1N5631	5146A	1N5773	5055A	1N5906A	5069A
1N5376	5154A	1N5422	5809	1N5579	580	1N5632	5147A	1N5774	5056A	1N5907A	5070A
1N5376A	5154A	1N5422G	5809	1N5580	580	1N5633	5148A	1N5775	5057A	1N5908A	5071A
1N5377	5155A	1N5423	5809	1N5581	580	1N5634	5149A	1N5776	5058A	1N5909A	5072A
1N5377A	5155A	1N5423G	5809	1N5582	580	1N5635	5150A	1N5777	5059A	1N5910A	5073A
1N5378	5156A	1N5424	5809	1N5583	580	1N5636	5151A	1N5778	5060A	1N5911A	5074A
1N5378A	5156A	1N5424G	5809	1N5584	580	1N5637	5152A	1N5779	5061A	1N5912A	5075A
1N5379	5157A	1N5425	5809	1N5585	580	1N5638	5153A	1N5780	5062A	1N5913A	5076A
1N5379A	5157A	1N5425G	5809	1N5586	580	1N5639	5154A	1N5781	5063A	1N5914A	5077A
1N5380	5158A	1N5426	5809	1N5587	580	1N5640	5155A	1N5782	5064A	1N5915A	5078A
1N5380A	5158A	1N5426G	5809	1N5588	580	1N5641	5156A	1N5783	5065A	1N5916A	5079A
1N5381	5159A	1N5427	5809	1N5589	580	1N5642	5157A	1N5784	5066A	1N5917A	5080A
1N5381A	5159A	1N5427G	5809	1N5590	580	1N5643	5158A	1N5785	5067A	1N5918A	5081A
1N5382	5160A	1N5428	5809	1N5591	580	1N5644	5159A	1N5786	5068A	1N5919A	5082A
1N5382A	5160A	1N5428G	5809	1N5592	580	1N5645	5160A	1N5787	5069A	1N5920A	5083A
1N5383	5161A	1N5429	5809	1N5593	580	1N5646	5161A	1N5788	5070A	1N5921A	5084A
1N5383A	5161A	1N5429G	5809	1N5594	580	1N5647	5162A	1N5789	5071A	1N5922A	5085A
1N5384	5162A	1N5430	5809	1N5595	580	1N5648	5163A	1N5790	5072A	1N5923A	5086A
1N5384A	5162A	1N5430G	5809	1N5596	580	1N5649	5164A	1N5791	5073A	1N5924A	5087A
1N5385	5163A	1N5431	5809	1N5597	580	1N5650	5165A	1N5792	5074A	1N5925A	5088A
1N5385A	5163A	1N5431G	5809	1N5598	580	1N5651	5166A	1N5793	5075A	1N5926A	5089A
1N5386	5164A	1N5432	5809	1N5599	580	1N5652	5167A	1N5794	5076A	1N5927A	5090A
1N5386A	5164A	1N5432G	5809	1N5600	580	1N5653	5168A	1N5795	5077A	1N5928A	5091A
1N5387	5165A	1N5433	5809	1N5601	580	1N5654	5169A	1N5796	5078A	1N5929A	5092A
1N5387A	5165A	1N5433G	5809	1N5602	580	1N5655	5170A	1N5797	5079A	1N5930A	5093A
1N5388	5166A	1N5434	5809	1N5603	580	1N5656	5171A	1N5798	5080A	1N5931A	5094A
1N5388A	5166A	1N5434G	5809	1N5604	580	1N5657	5172A	1N5799	5081A	1N5932A	5095A
1N5389	5167A	1N5435	5809	1N5605	580	1N5658	5173A	1N5800	5082A	1N5933A	5096A
1N5389A	5167A	1N5435G	5809	1N5606	580	1N5659	5174A	1N5801	5083A	1N5934A	5097A
1N5390	5168A	1N5436	5809	1N5607	580	1N5660	5175A	1N5802	5084A	1N5935A	5098A
1N5390A	5168A	1N5436G	5809	1N5608	580	1N5661	5176A	1N5803	5085A	1N5936A	5099A
1N5391	5169A	1N5437	5809	1N5609	580	1N5662	5177A	1N5804	5086A	1N5937A	5100A
1N5391A	5169A	1N5437G	5809	1N5610	580	1N5663	5178A	1N5805	5087A	1N5938A	5101A
1N5392	5170A	1N5438	5809	1N5611	580	1N5664	5179A	1N5806	5088A	1N5939A	5102A
1N5392A	5170A	1N5438G	5809	1N5612	580	1N5665	5180A	1N5807	5089A	1N5940A	5103A
1N5393	5171A	1N5439	5809	1N5613	580	1N5666	5181A	1N5808	5090A	1N5941A	5104A
1N5393A	5171A	1N5439G	5809	1N5614	580	1N5667	5182A	1N5809	5091A	1N5942A	5105A
1N5394	5172A	1N5440	5809	1N5615	580	1N5668	5183A	1N5810	5092A	1N5943A	5106A
1N5394A	5172A	1N5440G	5809	1N5616	580	1N5669	5184A	1N5811	5093A	1N5944A	5107A
1N5395	5173A	1N5441	5809	1N5617	580	1N5670	5185A	1N5812	5094A	1N5945A	5108A
1N5395A	5173A	1N5441G	5809	1N5618	580	1N5671	5186A	1N5813	5095A	1N5946A	

To Be Replaced	ECG Replacement	To Be Replaced	ECG Replacement	To Be Replaced	ECG Replacement	To Be Replaced	ECG Replacement	To Be Replaced	ECG Replacement	To Be Replaced	ECG Replacement	To Be Replaced	ECG Replacement
1N6005A	5025A	1N6003B	6009A	1N7006P3	125	1R5DL41	588	1R130A	5082A	1S60	110MP	1S186C	110A
1N6005B	5025A	1N6004	5010A	1N7007	125	1R5DU41	588	1R130B	5082A	1S60P	110MP	1S186MPX	110MP
1N6006A	5027A	1N6004A	5010A	1N7007P1	125	1R5DZ41	125	1R140	5099A	1S68(SCR)	5419	1S188P	110MP
1N6006B	5027A	1N6004B	5010A	1N7007P2	125	1R5E201	125	1R140A	5099A	1S70	110A	1S188PM	110A
1N6007A	5029A	1N6005	5011A	1N7007P3	125	1R5G	116	1R140B	5099A	1S71	116	1S188S	110A
1N6007B	5029A	1N6005A	5011A	1N8001	116	1R5GL41	576*	1R150	5100A	1S72	109*	1S188TV-M	110A
1N6008A	5030A	1N6005B	5011A	1N8001P1	116	1R5GZ41	125	1R150A	5100A	1S73	109	1S189	110A
1N6008B	5030A	1N6006	5013A	1N8001P2	116	1R5GZ61	125	1R150B	5100A	1S74	109	1S189FM	110MP
1N6009A	5031A	1N6006A	5013A	1N8001P3	116	1R5GZ61FA-1	125	1R160	5101A	1S75	110A	1S189FM	110MP
1N6009B	5031A	1N6006B	5013A	1N8002	116	1R5GZ61FA-1	125	1R160A	5101A	1S76	109	1S190	5010A
1N6010A	5032A	1N6007	5014A	1N8002P1	116	1R2A	5072A	1R160B	5101A	1S77	110A	1S191	3012A
1N6010B	5032A	1N6007A	5014A	1N8002P2	116	1R5JU41	577	1R161	5102A	1S78	110A	1S192	5014A
1N6011A	5033A	1N6007B	5014A	1N8002P3	116	1R5JZ41	125	1R180	5103A	1S79	110A	1S193	5072A
1N6011B	5033A	1N6008	5015A	1N8003	116	1R5JZ61	125	1R180A	5103A	1S81	116	1S194	5018A
1N6012A	5034A	1N6008A	5015A	1N8003P1	116	1R5LZ41	125	1R180B	5103A	1S82	109	1S195	140A
1N6012B	5034A	1N6008B	5015A	1N8003P2	116	1R5NZ41	125	1R200	5105A	1S83	116	1S196	5074A
1N6013A	5037A	1N6009	5018A	1N8003P3	116	1R5TH61	559	1R200A	5105A	1S84	177	1S197	142A
1N6013B	5037A	1N6009A	5018A	1N8004	116	1R2A	5072A	1R200B	5105A	1S85	612	1S198	144A
1N6014A	5038A	1N6009B	5018A	1N8004P1	116	1R2B	5072A	1R21	5089	1S85H	612	1S199	5077A
1N6014B	5038A	1N6010	5018A	1N8004P2	116	1R2B	5072A	1R1600	5483S	1S86	612	1S200	116
1N6015A	5039A	1N6010A	5018A	1N8004P3	116	1R9	116	1R1601	5483S	1S88	110A	1S205	116
1N6015B	5039A	1N6010B	5018A	1N8005	116	1R9H	116	1R1602	5483S	1S89	177	1S206	116
1N6016A	5040A	1N6011	5019A	1N8005P1	116	1R9J	116	1R1771	5483S	1S90	116	1S207	116
1N6016B	5040A	1N6011A	5019A	1N8005P2	116	1R9J	116	1R1772	5483S	1S91	116	1S207SK	177
1N6016C	5040A	1N6011B	5019A	1N8005P3	116	1R9J	116	1R1773	5483S	1S92	116	1S208	116
1N6017A	5041A	1N6012	5020A	1N8006P1	125	1R9JA	139A	1R1774	5483S	1S93	116	1S208/2S12A	5809
1N6017B	5041A	1N6013	5020A	1N8006P2	125	1R9JB	140A	1R1775	5483S	1S94	116	1S209	116
1N6018A	5042A	1N6014	5021A	1N8006P3	125	1R9JC	140A	1R1776	5483S	1S95	116	1S209/2S14A	5909
1N6018B	5042A	1N6015	5021A	1N8007	125	1R9JD	140A	1R1777	5483S	1S96	125	1S210	125
1N6019A	5044A	1N6016	5022A	1N8007P1	125	1R9JE	140A	1R1778	5483S	1S97	125	1S210(Rec)	125
1N6019B	5044A	1N6017	5022A	1N8007P2	125	1R9JF	140A	1R1779	5483S	1S98	125	1S210(SCR)	5552
1N6020A	5045A	1N6018	5023A	1N8007P3	125	1R9JG	140A	1R1780	5483S	1S99	125	1S210/2S16A	125
1N6020B	5045A	1N6019	5023A	1N8008	125	1R9JH	140A	1R1781	5483S	1S100	116	1S211	125
1N6021A	5046A	1N6020	5024A	1N8009	116	1R9JI	140A	1R1782	5483S	1S101	116	1S211/2S18A	125
1N6021B	5046A	1N6021	5024A	1N8010	116	1R9JJ	140A	1R1783	5483S	1S102	116	1S211A	136A
1N6022A	5047A	1N6022	5025A	1N8011	116	1R9JK	140A	1R1784	5483S	1S103	116	1S211A	140A
1N6022B	5047A	1N6023	5025A	1N8012	116	1R9JL	140A	1R1785	5483S	1S104	116	1S211A	140A
1N6023A	5048A	1N6024	5026A	1N8013	116	1R9JM	140A	1R1786	5483S	1S105	116	1S212	5068A
1N6023B	5048A	1N6025	5026A	1N8014	116	1R9JN	140A	1R1787	5483S	1S106	116	1S220(SCR)	5552
1N6024A	5050A	1N6026	5027A	1N8015	116	1R9JO	140A	1R1788	5483S	1S107	116	1S220(Zener)	5068A
1N6024B	5050A	1N6027	5027A	1N8016	116	1R9JP	140A	1R1789	5483S	1S108	116	1S221	136A
1N6025A	5051A	1N6028	5028A	1N8017	116	1R9JQ	140A	1R1790	5483S	1S109	116	1S222	5071A
1N6025B	5051A	1N6029	5028A	1N8018	116	1R9JR	140A	1R1791	5483S	1S110	116	1S223	138A
1N6026A	5052A	1N6030	5029A	1N8019	116	1R9JS	140A	1R1792	5483S	1S111	116	1S224	5073A
1N6026B	5052A	1N6031	5029A	1N8020	116	1R9JT	140A	1R1793	5483S	1S112	116	1S225	140A
1N6027A	5053A	1N6032	5030A	1N8021	116	1R9JU	140A	1R1794	5483S	1S113	116	1S226	5074A
1N6027B	5053A	1N6033	5030A	1N8022	116	1R9JV	140A	1R1795	5483S	1S114	116	1S227	142A
1N6028A	5055A	1N6034	5031A	1N8023	116	1R9JW	140A	1R1796	5483S	1S115	116	1S228	143A
1N6028B	5055A	1N6035	5031A	1N8024	116	1R9JX	140A	1R1797	5483S	1S116	116	1S229	144A
1N6029A	5056A	1N6036	5032A	1N8025	116	1R9JY	140A	1R1798	5483S	1S117	116	1S230	145A
1N6029B	5056A	1N6037	5032A	1N8026	116	1R9JZ	140A	1R1799	5483S	1S118	116	1S231	5075A
1N6030A	5058A	1N6038	5033A	1N8027	116	1R9KA	140A	1R1800	5483S	1S119	116	1S232	5076A
1N6030B	5058A	1N6039	5033A	1N8028	116	1R9KB	140A	1R1801	5483S	1S120	116	1S233	5077A
1N6031A	5059A	1N6040	5034A	1N8029	116	1R9KC	140A	1R1802	5483S	1S121	116	1S234	5078A
1N6031B	5059A	1N6041	5034A	1N8030	116	1R9KD	140A	1R1803	5483S	1S122	116	1S235	5079A
1N6032A	4905	1N6042	4905	1N8031	116	1R9KE	140A	1R1804	5483S	1S123	116	1S236	5080A
1N6032B	4905	1N6043	4905	1N8032	116	1R9KF	140A	1R1805	5483S	1S124	116	1S237	5081A
1N6033A	4907	1N6044	4907	1N8033	125	1R9KG	140A	1R1806	5483S	1S125	116	1S238	5082A
1N6033B	4907	1N6045	4907	1N8034	125	1R9KH	140A	1R1807	5483S	1S126	116	1S239	146A
1N6034A	4911	1N6046	4911	1N8035	125	1R9KI	140A	1R1808	5483S	1S127	116	1S240	5084A
1N6034B	4911	1N6047	4911	1N8036	125	1R9KJ	140A	1R1809	5483S	1S128	116	1S241	147A
1N6035A	4915	1N6048	4915	1N8037	125	1R9KK	140A	1R1810	5483S	1S129	116	1S242	5085A
1N6035B	4915	1N6049	4915	1N8038	125	1R9KL	140A	1R1811	5483S	1S130	116	1S243	5086A
1N6036A	4919	1N6050	4919	1N8039	125	1R9KM	140A	1R1812	5483S	1S131	116	1S244	5087A
1N6036B	4919	1N6051	4919	1N8040	125	1R9KN	140A	1R1813	5483S	1S132	116	1S245	5088A
1N6037	4907	1N6052	4907	1N8041	125	1R9KO	140A	1R1814	5483S	1S133	116	1S246	5089A
1N6037A	4911	1N6053	4911	1N8042	125	1R9KP	140A	1R1815	5483S	1S134	116	1S247	5090A
1N6037B	4911	1N6054	4911	1N8043	125	1R9KQ	140A	1R1816	5483S	1S135	116	1S248	5090A
1N6038A	4915	1N6055	4915	1N8044	125	1R9KR	140A	1R1817	5483S	1S136	116	1S249	5090A
1N6038B	4915	1N6056	4915	1N8045	125	1R9KS	140A	1R1818	5483S	1S137	116	1S250	149A
1N6039A	4923	1N6057	4923	1N8046	125	1R9KT	140A	1R1819	5483S	1S138	116	1S251	5092A
1N6039B	4923	1N6058	4923	1N8047	125	1R9KU	140A	1R1820	5483S	1S139	116	1S252	5093A
1N6040A	4927	1N6059	4927	1N8048	125	1R9KV	140A	1R1821	5483S	1S140	116	1S253	150A
1N6040B	4927	1N6060	4927	1N8049	125	1R9KW	140A	1R1822	5483S	1S141	116	1S254	5095A
1N6041A	4931	1N6061	4931	1N8050	125	1R9KX	140A	1R1823	5483S	1S142	116	1S255	5096A
1N6041B	4931	1N6062	4931	1N8051	125	1R9KY	14						

To Be Replaced	ECG Replacement	To Be Replaced	ECG Replacement	To Be Replaced	ECG Replacement	To Be Replaced	ECG Replacement	To Be Replaced	ECG Replacement	To Be Replaced	ECG Replacement	To Be Replaced	ECG Replacement
1S311	5809	1S487	5083A	1S990S	145A	1S1555-S	177	1S1887A(FA-1)	118	1S2088	612	1S2340	611
1S312	116	1S488	5085A	1S990S(Diode)	177	1S1555TP	177	1S1887AFA	116	1S2088A	612	1S2350	5804
1S312(Hitachi)	508	1S489	5089A	1S990S(Zener)	145A	1S1555P3	177	1S1887AFA-1	118	1S2089	611	1S2351	116
1S313	116	1S490	5179AK	1S993	5014A	1S1555TV	177	1S1887ALC	116	1S2090	610	1S2352	116
1S314	116	1S491	5120A	1S994	5067A	1S1555V	177	1S1887ALC-7	116	1S2091	177	1S2353	125
1S315	116	1S492	5185AK	1S994A	177	1S1555V(TV)	177	1S1887A-Z	116	1S2091(Diode)	177	1S2354	125
1S315(Hitachi)	508	1S493	5126A	1S994S	5069A	1S1555V(TV)	177	1S1887A	116	1S2091(Zener)	5018A	1S2355	558
1S318	109	1S494	5190A	1S994Y	138A	1S1555V	116	1S1887FA-1	116	1S2091A	5018A	1S2356	116
1S320	135A	1S495	5194AK	1S995	611	1S1555	617	1S1888	116	1S2091-BK	177	1S2357	116
1S320(Rec)	135A	1S496	5107A	1S1000	112	1S1575	5878	1S1888A	118	1S2091-EL	177	1S2361	116
1S320(SCR)	555A	1S497	5201AK	1S1000A	112	1S1576	5882	1S1888V	116	1S2091-W	177	1S2362	116
1S322	177	1S498	5204AK	1S1001	177	1S1577	5886	1S1890	177	1S2092	177	1S2363	116
1S330	5010A	1S499	5145A	1S1002	116	1S1578	5890	1S1891	5893	1S2093	1S1878	5893	125
1S330A	5010A	1S510	5556	1S1007	109	1S1579	178MP	1S1892	5893	1S2094	611	1S2365	125
1S330A1	135A	1S520	5556	1S1007S	109	1S1580	177	1S1893	611	1S2095	519	1S2367	116
1S331	137A	1S543	112	1S1029	601	1S1582	610	1S1894	614	1S2095A	519	1S2370	558
1S331A	137A	1S544	5896	1S1033	6354A	1S1585	177	1S1895	612	1S2097	177	1S2371	166
1S331AZ	137A	1S545	5890	1S1034	6354A	1S1585(TPE3)	177	1S1906	116	1S2098	177	1S2371A	116
1S332	138A	1S546	5928	1S1035	6354A	1S1586	177	1S1910	552	1S2100	5019A	1S2372	116
1S332M	5071A	1S547	6002	1S1036	6356A	1S1587	177	1S1911	552	1S2100A	5019A	1S2373	116
1S333	5072A	1S552	519	1S1037	6358A	1S1588	519	1S1920	506	1S2110	5020A	1S2374	116
1S333A	5072A	1S553	613	1S1038	6358A	1S1589	606	1S1921	506	1S2110A	5020A	1S2375	116
1S334	139A	1S553T	177	1S1052	177	1S1589S	177	1S1921B	506	1S2111A	136A	1S2376	116
1S334K	139A	1S554	614	1S1053	116	1S1614	5068	1S1921C	506	1S2112A	137A	1S2377	156
1S334N	139A	1S554T	614	1S1061	177	1S1615	5072	1S1921D	608	1S2113A	5071A	1S2378	594
1S335	140A	1S555	613	1S1062	116	1S1621	177	1S1921E	506	1S2114A	138A	1S2378R	5835
1S335S	5019A	1S556	614	1S1063	116	1S1621-U	177	1S1921F	506	1S2115A	5072A	1S2379	5804
1S336	5074A	1S557	125	1S1064	112	1S1621-Y	177	1S1922	112	1S2116A	139A	1S2380	5806
1S337	142A	1S558	116	1S1065	125	1S1621-R	177	1S1923	611	1S2117	140A	1S2381	116
1S337A	142A	1S559	177	1S1066	125	1S1622	616	1S1924	5875	1S2117A	140A	1S2382	116
1S337E	142A	1S560	177	1S1067	125	1S1623	612	1S1924A	5875	1S2118A	5074A	1S2403	116
1S337F	142A	1S563	177	1S1071	156	1S1624	116	1S1925	112	1S2118A	5074A	1S2403	116
1S338	5023A	1S568	118	1S1073	5804	1S1625	116	1S1926	112	1S2119A	5021A	1S2404	116
1S338U	143A	1S570	5566	1S1100	306	1S1625	5969	1S1926A	112	1S2120A	5021A	1S2405	125
1S338UJ	144A	1S572	177	1S1075	5808	1S1627	5968	1S1926M	112	1S2121A	145A	1S2408	5800
1S339	5027A	1S585	116	1S1076	5846	1S1629	5982	1S1934	5982	1S2122A	5075A	1S2409	156
1S347	5070A	1S586	125	1S1096	116	1S1630	5948	1S1934R	5983	1S2123A	5077A	1S2410	5802
1S351B	612	1S587	125	1S1124	177	1S1634R	5955	1S1935	5983	1S2130	5022A	1S2411	5804
1S351M	613	1S588	177	1S1146	177	1S1644R	5955	1S1935A	5983	1S2130A	5022A	1S2412	5804
1S351R	613	1S589	136A	1S1146S	177	1S1650	177	1S1936	5980	1S2130B	143A	1S2413	5806
1S351S	611	1S589S	142A	1S1155	177	1S1651	177	1S1936R	5991	1S2130C	519	1S2414	5806
1S352	612	1S590	601	1S1155A	177	1S1652	5944	1S1937	5991	1S2133	611	1S2415	5801
1S352N	612	1S590	148A	1S1209	575	1S1652R	5975	1S1937R	5991	1S2138A	610	1S2416	5801
1S353	613	1S591	558	1S1210	601	1S1653	5948	1S1938	5991	1S2139B	611	1S2417	5802
1S353M	614	1S592	558	1S1211	601	1S1653R	5979	1S1938R	5991	1S2139C	612	1S2418	5804
1S354	109	1S593	112	1S1212	601	1S1654	5986	1S1939	6003	1S2142	611	1S2419	5804
1S355	110A	1S593GR	112	1S1212A	601	1S1654R	5987	1S1939R	6003	1S2143	611	1S2420	5806
1S355	110A	1S594	5002A	1S1213	177	1S1655	5988	1S1941	116	1S2144	177	1S2421	5806
1S357	109	1S595	5006A	1S1214	177	1S1655R	5989	1S1942	116	1S2144A	177	1S2422	5862
1S358	116	1S596	5008A	1S1215	177	1S1656	614	1S1943	116	1S2144Z	177	1S2422R	5963
1S358S	116	1S597	5009A	1S1216	177	1S1656A	5834	1S1944	116	1S2145	177	1S2423	5963
1S359	116	1S598	5011A	1S1217	177	1S1660	5834	1S1951	147A	1S2147	610	1S2423R	5963
1S359S	116	1S599	5014A	1S1218	177	1S1660R	5839	1S1953	177	1S2147A	612	1S2424	5962
1S366	116	1S599A	139A	1S1218GR	177	1S1661	5838	1S1955	5070A	1S2147B	612	1S2424R	5963
1S367	125	1S599S	5017A	1S1219	177	1S1661R	5839	1S1957	5071A	1S2147C	612	1S2425	5962
1S368	125	1S599SGS	139A	1S1220	177	1S1662	5854	1S1958	5072A	1S2147D	612	1S2425R	5963
1S390	116	1S750	6010A	1S1221	116	1S1662R	5856	1S1959	139A	1S2150A	5024A	1S2426	6082
1S400	116	1S760	5022A	1S1222	116	1S1663	5858	1S1960	140A	1S2160A	5025A	1S2426R	5963
1S401	125	1S761	5025A	1S1223	125	1S1663R	5859	1S1961	5074A	1S2160	5027A	1S2427	5966
1S402	125	1S762	5026A	1S1224	116	1S1664	5860	1S1962	144A	1S2160A	5027A	1S2427A	5966
1S410	5834	1S763	5031A	1S1225	125	1S1665	5809	1S1963	144A	1S2166	553	1S2434	5940
1S410(RECT)	5834	1S764	5033A	1S1226A	125	1S1666	116	1S1964	145A	1S2166R	177	1S2434R	5944
1S410(SCR)	5834	1S766	611	1S1226	506	1S1668	116	1S1965	5075A	1S2167	112	1S2435	5944
1S411	5834	1S767	611	1S1230	116	1S1668R	116	1S1966	5077A	1S2188	611	1S2435R	5945
1S413	5838	1S767A	611	1S1231	116	1S1690	110A	1S1967	5079A	1S2197	614	1S2436	5944
1S415	5842	1S769	611	1S1231(Stud)	6154A	1S1691	116	1S1968	5080A	1S2197A	614	1S2436R	5945
1S417	5846	1S777	127209	1S1232	116	1S1692	5809	1S1969	5081A	1S2198	112	1S2437	5945
1S419	5845	1S768	109	1S1232(Stud)	6154A	1S1693	116	1S1970	146A	1S2200	5099A	1S2437R	5949
1S420	5847	1S769	109	1S1233	116	1S1694	5809	1S1971	146A	1S2200A	5099A	1S2438	5949
1S420(RECT)	5847	1S769A	109	1S1233(Stud)	6154A	1S1695	125	1S1993	177	1S2206	612	1S2438R	5949
1S420(SCR)	5847	1S769S	116	1S1234	125	1S1697	116	1S1994	177	1S2207	616	1S2439	5882
1S421	5847	1S769SGS	116	1S1234(Stud)	6154A	1S1698	116	1S1995	177	1S2207-9	611	1S2439R	5883
1S423	5878	1S768	125	1S1235(Stud)	6156A	1S1701	178MP	1S1998	5842	1S2208	616	1S2446	5980
1S425	5882	1S769	116	1S1236(Stud)	6158A	1S1715	616	1S1998R	5843	1S2209	616	1S2446R	5981
1S426	109	1S769R	116	1S1237	506	1S1717	5073A	1S2011A	5074A	1S2220	5030A	1S2447	5986
1S426FM	109	1S769S	126	1S1237(Stud)	6158A	1S1717L	139A	1S2030A	5004A	1S2220A	5030A	1S2447R	5987

To Be Replaced	ECG Replacement	To Be Replaced	ECG Replacement	To Be Replaced	ECG Replacement	To Be Replaced	ECG Replacement	To Be Replaced	ECG Replacement	To Be Replaced	ECG Replacement	To Be Replaced	ECG Replacement
IS2638	611	IS4012	5127A	IS6006A	5181A	IS17176	138A	IS133	519	IT9.1B	139A	ITA6.8A	5071A
IS2675	552	IS4012A	5127A	IS6007A	5182A	IS17412	116	IS133T	519	IT10	5645	ITA6.8B	5071A
IS2676	558	IS4013	5128A	IS6008	5183A	IS17075C	177	IS133V	519	IT10B	140A	IT7.5	138A
IS2677	558	IS4013A	5128A	IS6008	5183A	IS1701-02	116	IS133	519	IT11.5	141A	IT7.5A	138A
IS2678	558	IS4015	5130A	IS6008A	5183A	IS15505	614	IS1335	519	IT11.5B	141A	IT7.5B	138A
IS2679	558	IS4015A	5130A	IS6009A	5185A	IS1569-06	612	IS1336	519	IT12	142A	IT7.5C	138A
IS2686	611	IS4016	5131A	IS6010	5186A	IS152387	177	IS1337	519	IT12B	142A	IT8.2A	5072A
IS2687	614	IS4016A	5131A	IS6010A	5186A	ISD2	116	IS1338	519	IT12.8	143A	IT8.2B	5072A
IS2687AA	614	IS4018	5132A	IS6011	5187A	ISF1	581B	IS1339	587	IT12.8B	143A	IT9.1	139A
IS2687D	614	IS4018A	5132A	IS6011A	5187A	ISF1R	581B	IS1340	587	IT13	112	IT9.1A	139A
IS2687S-1	614	IS4020	5135A	IS6012	5188A	ISF2	581B	IS1341	587	IT13A	112	IT9.1B	139A
IS2687T	614	IS4020A	5135A	IS6012A	5188A	ISF2R	581B	IS1342	587	IT13B	112	IT9.1C	139A
IS2688	614	IS4022	5138A	IS6013	5189A	ISF4	582	IS1343	587	IT14	144A	IT10A	140A
IS2688AA	116	IS4022A	5138A	IS6013A	5189A	ISF4R	582	IS1344	587	IT14R	144A	IT10R	140A
IS2688B	614	IS4024	5137A	IS6015	5191A	IS1209	116	IS1345	552	IT15	145A	IT11	5074A
IS2688EA	614	IS4024A	5137A	IS6015A	5191A	ISL211	601	IS1346	552	IT15B	145A	IT11A	5074A
IS2688EB	613	IS4027	5139A	IS6016	5192A	ISL1885	116	IS1346-Y	552	IT16	5645	IT11B	5074A
IS2688EP	613	IS4027A	5139A	IS6016A	5192A	IS-M2511-80105-0358	519	IS1347	552	IT18	5645	IT11.5	141A
IS2689	614	IS4036	5141A	IS6018	5194A	ISO30	116	IS1348	519	IT18(DIODE)	510	IT11.5A	141A
IS2692	555A	IS4030A	5141A	IS6018A	5194A	ISO31	116	IS1349	519	IT18(TFIAC)	5645	IT12	142A
IS2693A	555A	IS4032	5142A	IS6019	5195A	ISO32	116	IS1350	519	IT19	145A	IT12A	142A
IS2693-AB	519	IS4033A	5142A	IS6020A	5196A	ISO34	116	IS1355	555A	IT19-15D	145A	IT12.8	143A
IS2693B	177	IS4036	5143A	IS6022	5197A	ISO36	116	IS1376	519	IT22	109	IT12.8A	143A
IS2706	177	IS4036A	5143A	IS6022A	5197A	ISO38	125	IS1376FA	519	IT22A	109	IT13	143A
IS2711	506	IS4039	5144A	IS6024	5198A	ISO54	116	IS1377	519	IT22AJ	109	IT13A	143A
IS2745	519	IS4039A	5144A	IS6024A	5198A	ISO58	125	IS1378	519	IT22AM	109	IT13B	143A
IS2746	515	IS4043	5145A	IS6027	5200A	ISR1K	116	IS1378FA	519	IT22B	109	IT14	144A
IS2756	506	IS4043A	5145A	IS6027A	5200A	ISR30-200	116	IS1378-Y	519	IT22C	109	IT14A	144A
IS2776	514	IS4047A	5148A	IS6030A	5202A	ISR30-400	116	IS1381	536	IT23	110A	IT14.5	145A
IS2775FA-1	552	IS4047A	5148A	IS6030A	5202A	ISR30-600	125	IS1382	595	IT23A	110A	IT15A	145A
IS2775TPA2	552	IS4051	5147A	IS6033	5203A	ISR31-600	125	IS1384-TE55L	950	IT23A	110A	IT16	5075A
IS2776	552	IS4051A	5147A	IS6033A	5203A	ISR31-1000	125	IS1388	584	IT23B	110A	IT16A	5075A
IS2711	506	IS4056	5148A	IS6036	5204A	ISR32-1200	506	IS1390	591	IT23C	110A	IT16B	5075A
IS2787	519	IS4056A	5148A	IS6036A	5204A	ISR32-1400	506	IS1391	590	IT23G	110A	IT18	5077A
IS2789	177	IS4058	5150A	IS6039	5205A	ISR34-100	5802	IS1392	593	IT23J	110A	IT18A	5077A
IS2788B	177	IS4062A	5150A	IS6039A	5205A	ISR34-200	116	IS1393	593	IT23M	110A	IT18B	5077A
IS2789	616	IS4068	5151A	IS6043	5206A	ISR35-10	116	IS1394	593	IT23S	110MP	IT18C	5079A
IS2790	614	IS4068A	5151A	IS6043A	5206A	ISR35-100	116	IS1395	593	IT25	512	IT19	5079A
IS2790W	613	IS4075	5152A	IS6047	5208A	ISR35-100	116	IS1396	590	IT26	5645	IT19A	5079A
IS2790WT	613	IS4075A	5152A	IS6047A	5208A	ISR35-100A	116	IS1397	591	IT26(Diode)	109	IT22	5080A
IS2790YL	614	IS4082	5153A	IS6051	5210A	ISR35-100A-Y	116	IS1398	591	IT26(Triac)	5645	IT22A	5080A
IS2827A	125	IS4082A	5153A	IS6051A	5210A	ISR35-100-F	116	IS1399	590	IT26.2	109	IT22B	5080A
IS2828A	125	IS4091	5155A	IS6056	5212A	ISR35-100-HT	116	IS1399F	590	IT27	146A	IT24	5081A
IS2830A	125	IS4091A	5155A	IS6056A	5212A	ISR35-100-Z	116	IS1399A	590	IT27B	146A	IT24A	5081A
IS2831A	125	IS4100	5156A	IS6062	5214A	ISR35-200	116	IS1399B	591	IT28	5645	IT24B	5081A
IS2835	596	IS4100A	5156A	IS6062A	5214A	ISR35-200A	116	IS1399C	591	IT28(Zener)	147A	IT24C	146A
IS2836	596	IS4110	5157A	IS6068	5215A	ISR35-400	558	IS1399D	147A	IT28B	147A	IT24D	146A
IS2837	595	IS4110A	5157A	IS6068A	5215A	ISR35-400A	116	IS1399E	177	IT36	5645	IT24E	146A
IS2838	595	IS4120	5158A	IS6075	5218A	ISR71-30	609A	IS1399F	592	IT38	5645	IT24F	5084A
IS2838A	595	IS4120A	5158A	IS6075A	5218A	ISR71-40	609A	IS1399G	516	IT40	177	IT24G	5084A
IS3008	5071A	IS4130	5159A	IS6082	5217A	ISR72-30	609A	IS1399H	519	IT46	5645	IT24H	5084A
IS3007A	5121A	IS4130A	5159A	IS6082A	5217A	ISR72-40	609A	IS1399I	519	IT48	5645	IT24I	147A
IS3008	5072A	IS4150	5161A	IS6091	5219A	ISR73-30	609A	IS1399J	519	IT55	148A	IT24J	147A
IS3008A	5122A	IS4180	5162A	IS6100	5220A	ISR73-200	569	IS1399K	519	IT55B	5645	IT24K	5085A
IS3009	139A	IS4180A	5162A	IS6100A	5220A	ISR77-400	569	IS1399L	519	IT55C	5645	IT24L	5085A
IS3009A	5124A	IS4180	5162A	IS6110	5222A	ISR77-600	569	IS1399M	587	IT62	148A	IT24M	5085A
IS3010	140A	IS4180A	5162A	IS6110A	5222A	ISR91-100	587	IS1399N	587	IT62B	149A	IT24N	5085A
IS3010A	5074A	IS4190	5163A	IS6120	5223A	ISR91-200	580	IS1399O	587	IT62C	149A	IT24O	5085A
IS3011	5074A	IS4200A	5166A	IS6120A	5223A	ISR91-400	580	IS1399P	593	IT68	5645	IT24P	5085A
IS3011A	5126A	IS4268FM	109	IS6130	5224A	ISR100-200	116	IS1399Q	517	IT76	56010#	IT24Q	5087A
IS3012	142A	IS4735	5010A	IS6130A	5224A	ISR100-400	116	IS1399R	517	IT78	56010#	IT24R	5087A
IS3012A	5127A	IS6006A	5181A	IS6150	5226A	ISR100-600	116	IS1399S	614	IT82	150A	IT24S	5087A
IS3013	143A	IS6007A	5182A	IS6150A	5226A	ISR100-800	116	IS1399T	614	IT82B	150A	IT24T	5088A
IS3013A	5128A	IS6008A	5183A	IS6160	5227A	ISR100-1200	525	IS1399U	614	IT86	56010#	IT24U	5088A
IS3013B	5130A	IS6009A	5185A	IS6180A	5227A	ISR100-1500	525	IS1399V	614	IT88	56010#	IT24V	5088A
IS3013C	116	IS6010A	5186A	IS6180	5228A	ISR123-100	558	IS1399W	614	IT110	5645	IT24W	5089A
IS3013D	5071A	IS6011A	5187A	IS6180A	5228A	ISR123-200	558	IS1399X	614	IT110(Triac)	147A	IT24X	5089A
IS3013E	5131A	IS6012A	5188A	IS6180A	5228A	ISR123-400	558	IS1399Y	614	IT110(Zener)	151A	IT24Y	5089A
IS3013F	177	IS6013A	5189A	IS6200A	5232A	ISR124-100	552	IS1399Z	614	IT108	151A	IT24Z	148A
IS3013G	5077A	IS6014	5191A	IS6200A	5232A	ISR124-100A	552	ISV68-04	614	IT115	56000#	IT24AA	148A
IS3013H	5133A	IS6015A	5191A	IS6200A	5232A	ISR124-200A	552	ISV68-08	614	IT118	109	IT24AB	5090A
IS3020	5079A	IS6016	5192A	IS6200A	5232A	ISR124-400A	552	ISV69-03	612	IT120	5645	IT24AC	5090A
IS3020A	5135A	IS6018	5194A	IS6200A	5232A	ISR124-400Z	552	ISV69-06	612	IT121	109	IT24AD	5090A
IS3022	5080A	IS6019	5195A	IS6200A	5232A	ISR124-400V-Z	552	ISV69-07	612	IT121B	56000#	IT24AE	149A
IS3022A	5139A	IS6020A	5196A	IS6200A	5232A	ISR139-100	116	ISV70	618	IT236	109	IT24AF	149A
IS3024	5081A	IS6020A	5196A	IS6200A	5232A	ISR139-100	116	ISV70-06	618	IT240	109	IT24AG	5092A
IS3024A	5137A	IS6022A	5197A	IS6200A	5232A	ISR139-200	116	ISV77	611	IT240A	109	IT24AH	5092A
IS3027													

To Be Replaced	ECC Replacement	To Be Replaced	ECC Replacement	To Be Replaced	ECC Replacement	To Be Replaced	ECC Replacement	To Be Replaced	ECC Replacement	To Be Replaced	ECC Replacement		
1TT3064C	780	1Z82T20	5072A	1Z82D10	150A	1ZM6.1T5	139A	15DKZ12	5127A	15JZ16B	5131A	15JZ160	5162A
1TT3064P	783E	1Z9	139A	1Z91	5095A	1ZM6.1T10	139A	15DKZ12A	5127A	15JZ16C	5131A	15JZ160A	5162A
1TT3065	712	1Z8.1	139A	1Z81	5095A	1ZM6.1T20	139A	15DKZ12B	5127A	15JZ16D	5131A	15JZ160B	5162A
1TT3065P	712	1Z9.1A	139A	1Z910	5096A	1ZM10T5	140A	15DKZ13	5128A	15JZ17	5132A	15JZ160C	5162A
1TT9112	9112E	1Z9.1B	139A	1Z910A	5096A	1ZM10T10	140A	15DKZ13B	5128A	15JZ17B	5132A	15JZ160D	5162A
1TV2427	120	1Z9.1C	139A	1Z911	151A	1ZM10T20	140A	15DKZ14	5129A	15JZ17C	5132A	15JZ200	5166A
1US85	123A	1Z9.1D	139A	1Z910A	151A	1ZM12T5	142A	15DKZ15	5130A	15JZ17D	5132A	15JZ200A	5166A
1US85F/825B	123A	1Z8.1D10	139A	1Z10B	151A	1ZM12T10	142A	15DKZ15A	5130A	15JZ17E	5132A	15JZ200B	5166A
1V(SOT-23)	2412	1Z9.1T5	139A	1Z110C	151A	1ZM12T20	142A	15DKZ15B	5130A	15JZ17F	5132A	15JZ200C	5166A
1V3074A20	116	1Z9.1T10	139A	1Z110D	151A	1ZM13T5	143A	15DKZ16	5131A	15JZ17G	5132A	15JZ200D	5166A
1V3074A21	116	1Z9.1T20	139A	1Z110D5	151A	1ZM15T5	145A	15DKZ16A	5131A	15JZ17H	5132A	15JZ200E	5166A
1V8002	109	1Z10	140A	1Z110D10	151A	1ZM15T10	145A	15DKZ16B	5131A	15JZ17I	5132A	15K6.8	4902
1V86811A47	159	1Z10A	140A	1Z120	5097A	1ZM16T20	145A	15DKZ18	5133A	15JZ18D	5133A	15K6.8A	4902
1V86811A47A	159	1Z10T5	140A	1Z130	5098A	1ZM16T5	5075A	15DKZ18A	5133A	15JZ19	5134A	15K7.5	4904
1V910	116	1Z10T10	140A	1Z140	5098A	1ZM17T5	5075A	15DKZ18B	5133A	15JZ19B	5134A	15K7.5A	4904
1W(SOT-23)	2413	1Z10T20	140A	1Z150	5100A	1ZM20T5	5079A	15DKZ20	5135A	15JZ19B	5134A	15K7.5A	4906
1W055	530A	1Z11	5074A	1Z160	5101A	1ZM22T5	5080A	15DKZ20A	5135A	15JZ19C	5134A	15K8.2	4906
1W055S	530A	1Z11A	5074A	1Z170	5102A	1ZM24T5	5081A	15DKZ20B	5135A	15JZ19D	5134A	15K8.2A	4906
1W01	530A	1Z11T5	5074A	1Z180	5103A	1ZM27T5	145A	15DKZ22	5136A	15JZ20	5135A	15K8.2C	4907
1W01-08J	5074A	1Z11T10	5074A	1Z200	5105A	1ZM30T5	5084A	15DKZ22A	5136A	15JZ20A	5135A	15K8.2CA	4907
1W01G	530A	1Z11T20	5074A	1Z261-02(Zenith)	177	1ZM33T5	147A	15DKZ22B	5136A	15JZ20B	5135A	15K10	4910
1W02	530A	1Z12	142A	1ZB12	142A	1ZM30T5	5083A	15DKZ22C	5136A	15JZ20C	5135A	15K10A	4910
1W02G	530A	1Z12A	142A	1ZB12B	142A	1ZM33T5	5083A	15DKZ22D	5136A	15JZ20D	5135A	15K10CA	4911
1W04	530A	1Z12B	142A	1ZB15	145A	1ZM37T5	5087A	15DKZ24B	5137A	15JZ22	5136A	15K10CA	4911
1W04G	530A	1Z12C	142A	1ZB15B	145A	1ZM47T5	5088A	15DKZ27	5139A	15JZ22A	5136A	15K12	4914
1W06	530A	1Z12D	142A	1ZB15C	145A	1ZM67T5	5092A	15DKZ27B	5139A	15JZ22B	5136A	15K12C	4915
1W06G	530A	1Z12T10	142A	1ZB23	147A	1ZM62T5	149A	15DKZ30	5141A	15JZ22D	5136A	15K12CA	4915
1W08	530A	1Z13	143A	1ZB33B	147A	1ZM69T5	5092A	15DKZ30A	5141A	15JZ22E	5136A	15K13	4915
1W08G	530A	1Z13A	143A	1ZB2	150A	1ZM75T5	5093A	15DKZ30B	5141A	15JZ22F	5136A	15K13A	4915
1W10	530A	1Z13T5	143A	1ZB2B	150A	1ZM82T5	150A	15DKZ30C	5141A	15JZ22G	5136A	15K13A	4918
1W10G	530A	1Z13T10	143A	1ZC3.3T5	5069A	1ZM91T5	5095A	15DKZ33A	5142A	15JZ24E	5137A	15K15	4920
1W1632	289A	1Z13T20	143A	1ZC3.6	143A	1ZM100T5	5096A	15DKZ33A	5142A	15JZ24F	5137A	15K15A	4920
1W835E	129A	1Z13T30	143A	1ZC3.6T5	134A	1ZM110T5	151A	15DKZ39R	5142A	15JZ24F	5137A	15K15C	4921
1W8537	159	1Z15	145A	1ZC3.6T10	134A	1ZM110T5	151A	15DKZ36	5143A	15JZ25	5138A	15K15CA	4921
1W9095A	128	1Z15B	145A	1ZC3.9T5	5067A	1ZM120T5	5098A	15DKZ36A	5143A	15JZ25A	5138A	15K16	4922
1W9148	59	1Z15C	145A	1ZC3.9T10.5	5068A	1ZM130T5	5098A	15DKZ36B	5143A	15JZ25B	5138A	15K16A	4922
1W9179	177	1Z15D	145A	1ZC4.3T10.5	5068A	1ZM150T5	5100A	15DKZ39	5144A	15JZ25D	5138A	15K16C	4923
1W9640	159	1Z15E	145A	1ZC4.7T5	5069A	1ZM160T5	5101A	15DKZ39A	5144A	15JZ27	5139A	15K16CA	4923
1W9640A	159	1Z15D5	145A	1ZC5.1	135A	1ZM180T5	5103A	15DKZ39B	5144A	15JZ27A	5139A	15K18	4926
1W9723	123A	1Z15D10	145A	1ZC6.1T5	5116A	1ZM200T5	5105A	15DKZ43	5145A	15JZ27B	5139A	15K18A	4926
1W9728	159	1Z15T5	145A	1ZC5.6	136A	1ZS3.9A	5069A	15DKZ43A	5145A	15JZ27C	5139A	15K20	4928
1W9728A	159	1Z15T10	145A	1ZC6.6T5	5069A	1ZS4.3A	5139A	15DKZ43B	5145A	15JZ27D	5139A	15K20A	4928
1W9732	159	1Z15T20	145A	1ZC6.6T10.5	136A	1ZS4.7A	5116A	15DKZ47	5146A	15JZ30	5141A	15K24	4932
1W9732A	159	1Z15T5	145A	1ZC6.8	137A	1ZS4.7A	5116A	15DKZ47A	5146A	15JZ30A	5141A	15K24A	4932
1W9787	123A	1Z16	5075A	1ZC6.8T5	137A	1ZS5.8A	147A	15DKZ47B	5146A	15JZ30B	5141A	15K24C	4933
1W9810	159	1Z16T5	5075A	1ZC6.8T10	5071A	1ZS6.2A	5071A	15DKZ51	5147A	15JZ30C	5141A	15K24CA	4933
1W9810A	159	1Z16T10	5075A	1ZC7.5T5	138A	1ZS6.8A	138A	15DKZ51A	5147A	15JZ30D	5141A	15K27	4934
1W9810S	159	1Z16T20	5075A	1ZC8.2T5	5072A	1ZS7.5A	5072A	15DKZ51B	5147A	15JZ33	5142A	15K27A	4934
1W9810SA	159	1Z18	139A	1ZC8.2T10	5072A	1ZS8.2A	139A	15DKZ56	5148A	15JZ33A	5142A	15K30	4936
1W11700	159	1Z18A	5077A	1ZC8.2T20	5072A	1ZS9.1A	139A	15DKZ56A	5148A	15JZ33B	5142A	15K30A	4936
1W11700A	159	1Z18T5	5077A	1ZC9.1	139A	1ZS10A	140A	15DKZ56B	5148A	15JZ33C	5142A	15K30C	4937
1W11700S	159	1Z18T10	5077A	1ZC9.1T5	139A	1ZS11A	5075A	15DKZ56C	5148A	15JZ33D	5142A	15K30CA	4937
1W1702A	159	1Z18T20	5077A	1ZC9.1T10	139A	1ZS12A	145A	15DKZ62A	5150A	15JZ33E	5143A	15K33	4939
1W11706	312	1Z20	5079A	1ZC10T5	140A	1ZS13A	143A	15DKZ62B	5150A	15JZ36A	5143A	15K33A	4938
1W11706-1	123A	1Z20A	5079A	1ZC11T5	5074A	1ZS13A	145A	15DKZ66	5151A	15JZ36B	5143A	15K33C	4938
1W11706-2	123A	1Z20T5	5079A	1ZC11T10	5074A	1ZS16A	5075A	15DKZ66A	5151A	15JZ36C	5143A	15K33CA	4939
1W11711	119	1Z20T10	5079A	1ZC12	142A	1ZS18A	5077A	15DKZ68B	5151A	15JZ36D	5143A	15K36	4940
1W1M6	156	1Z20T20	5079A	1ZC12T5	142A	1ZS20A	5079A	15DKZ75	5152A	15JZ39	5144A	15K36A	4940
1WS1	156	1Z22	5080A	1ZC12T10	142A	1ZS22A	5080A	15DKZ75A	5152A	15JZ39A	5144A	15K36CA	4941
1WS2	156	1Z22A	5080A	1ZC12T20	142A	1ZS24A	5081A	15DKZ75B	5152A	15JZ39B	5144A	15K36CA	4941
1WS4	580A	1Z22T5	5080A	1ZC13T5	143A	1ZS27A	146A	15E05	5900	15JZ39C	5144A	15K39	4942
1WS6	580A	1Z22T10	5080A	1ZC13T10	143A	1ZS27A	146A	15E05A	5900	15JZ39D	5144A	15K39A	4942
1WS8	156	1Z22T20	5080A	1ZC15	145A	1ZS33A	147A	15E2	5902	15JZ43	5145A	15K39C	4943
1WS10	156	1Z24	5081A	1ZC15T5	145A	1ZS36A	5085A	15E4	5904	15JZ43A	5145A	15K39CA	4943
1X(SOT-23)	2412	1Z24A	5081A	1ZC15T10	145A	1ZS39A	5086A	15E5	5906	15JZ43B	5145A	15K43	4944
1X0001PA	1187	1Z24T5	5081A	1ZC16T5	5075A	1ZS43A	5087A	15E6	5906	15JZ43C	5145A	15K43A	4944
1X0001TA	712	1Z24T10	5081A	1ZC16T10	5075A	1ZS47A	5088A	15E12	506	15JZ43D	5145A	15K43C	4945
1X0017AZZ	712	1Z24T20	5081A	1ZC18T5	5077A	1ZS51A	5089A	15E140	5160A	15JZ47	5146A	15K43CA	4945
1X0039CE	615A	1Z27	146A	1ZC18T10	5077A	1ZS59A	5090A	15E07	5900	15JZ47A	5146A	15K47	4946
1X0087TA	1515	1Z30	148A	1ZC20T5	5078A	1ZS61A	5091A	15E12A	506	15JZ47B	5146A	15K47A	4946
1X0137CE	1616	1Z27B	146A	1ZC20T10	5078A	1ZS69A	5092A	15E2	5902	15JZ47C	5146A	15K47CA	4947
1X0219CE	1616	1Z27C	146A	1ZC22T5	5080A	1ZS75A	5093A	15E3	5904	15JZ47D	5146A	15K47CA	4947
1X0214CE	1576	1Z27D	146A	1ZC22T10	5080A	1ZS83A	150A	15E4					

To Be Replaced	ECG Replacement	To Be Replaced	ECG Replacement	To Be Replaced	ECG Replacement	To Be Replaced	ECG Replacement	To Be Replaced	ECG Replacement	To Be Replaced	ECG Replacement	To Be Replaced	ECG Replacement
1.5K200A	4088	1.5KE39CP	4943	1.5KE320	4992	1.5R160A	5162A	1.5SE120A	4970	1.5Z21C	5137A	2.8R19	3042
1.5K200B	4992	1.5KE39D	4942	1.5K210A	4993	1.5R160B	5162A	1.5Z21D	4971	1.5Z21E	5137A	2.8R20	3045
1.5K200C	4993	1.5KE43	4944	1.5KE320C	4993	1.5R18	5184A	1.5Z22B	4971	1.5Z22C	5138A	2A01G	5803
1.5K220C	4993	1.5KE43A	4944	1.5KE320CA	4993	1.5R180A	5164A	1.5Z22Z	4972	1.5Z23	5139A	2.5004-8	5895
1.5K220CA	4993	1.5KE43C	4945	1.5KE320CP	4993	1.5R180B	5164A	1.5Z27A	4972	1.5Z27B	5139A	2.5004-14	5697
1.5K230	4984	1.5KE43CA	4945	1.5KE320P	4992	1.5R200	5166A	1.5Z27C	4973	1.5Z27D	5139A	2.5184-11	5675
1.5K250A	4984	1.5KE43D	4945	1.5KE350	4994	1.5R200A	5166A	1.5Z27E	4973	1.5Z27F	5139A	2.8454-031	123A
1.5K250C	4985	1.5KE43P	4944	1.5KE350A	4994	1.5R200B	5166A	1.5Z27G	4974	1.5Z27H	5139A	2.64701508	125
1.5K250CA	4985	1.5KE47	4946	1.5KE350C	4995	1.5R1208	5158A	1.5Z28	4974	1.5Z28A	5141A	2A	126A
1.5K300	4990	1.5KE47A	4946	1.5KE350CA	4995	1.5S220	4993	1.5Z28B	4975	1.5Z28C	5141A	2A01	5800
1.5K300A	4990	1.5KE47C	4947	1.5KE350CP	4994	1.5S240	4994	1.5Z28D	4976	1.5Z28E	5141A	2A01G	5801
1.5K300CA	4991	1.5KE47CA	4947	1.5KE400	4996	1.5S250A	4994	1.5Z28F	4976	1.5Z28G	5141A	2A02G	5801
1.5K320	4992	1.5KE47P	4947	1.5KE400A	4996	1.5S300	4990	1.5Z28H	4977	1.5Z28I	5141A	2A03	5802
1.5K320A	4992	1.5KE51	4950	1.5KE400C	4997	1.5S300A	4990	1.5Z28J	4977	1.5Z28K	5142A	2A03G	5802
1.5K320C	4993	1.5KE51A	4950	1.5KE400CA	4997	1.5S350	4994	1.5Z28L	4978	1.5Z28M	5142A	2A04	5804
1.5K320CA	4993	1.5KE51C	4951	1.5KE400CP	4997	1.5S350A	4994	1.5Z28N	4978	1.5Z28O	5142A	2A04G	5804
1.5K320P	4992	1.5KE51CA	4951	1.5KE440	4998	1.5S400	4996	1.5Z28P	4979	1.5Z28Q	5142A	2A05	5806
1.5K350A	4994	1.5KE51CTA	4951	1.5KE440C	4999	1.5S400A	4996	1.5Z28R	4980	1.5Z28S	5142A	2A05G	5806
1.5K350C	4995	1.5KE56	4952	1.5KE440CA	4999	1.5S500	4998	1.5Z28T	4980	1.5Z28U	5142A	2A06	5808
1.5K350CA	4995	1.5KE56A	4952	1.5KE440CP	4999	1.5S500A	4998	1.5Z28V	4981	1.5Z28W	5143A	2A07	5809
1.5K400	4996	1.5KE56CA	4953	1.5KE440P	4998	1.5S550	4994	1.5Z28X	4982	1.5Z28Y	5143A	2A07G	5809
1.5K400A	4996	1.5KE56C	4953	1.5KE440P	4998	1.5S550A	4994	1.5Z28Z	4982	1.5Z29	5143A	2A12	129
1.5K400C	4997	1.5KE56CP	4953	1.5M14Z	5129A	1.5S350A	4994	1.5Z29A	4982	1.5Z29B	5144A	2A12G	129
1.5K400CA	4997	1.5KE56P	4952	1.5M14Z10	5129A	1.5S400	4996	1.5Z29C	4983	1.5Z29D	5144A	2A13	130
1.5K410	4999	1.5KE62	4954	1.5M14Z100	5129A	1.5S400A	4996	1.5Z29E	4983	1.5Z29F	5144A	2A13G	130
1.5K440A	4999	1.5KE62A	4954	1.5M14Z1000	5129A	1.5S450	4998	1.5Z29G	4983	1.5Z29H	5144A	2A14	131
1.5K440C	4999	1.5KE62CA	4955	1.5M19Z	5134A	1.5S500	4998	1.5Z29I	4983	1.5Z29J	5144A	2A14G	131
1.5K440CA	4999	1.5KE62CP	4955	1.5M19Z10	5134A	1.5S500A	4998	1.5Z29K	4983	1.5Z29L	5144A	2A15	132
1.5KE6.0CTA	4901	1.5KE62P	4954	1.5M25Z	5138A	1.5S550	4994	1.5Z29M	4983	1.5Z29N	5144A	2A15G	132
1.5KE6.8	4902	1.5KE62P	4954	1.5M25Z10	5138A	1.5S600	4996	1.5Z29O	4983	1.5Z29P	5144A	2A16	133
1.5KE6.8A	4902	1.5KE68	4958	1.5M30Z	5141A	1.5S600A	4996	1.5Z29Q	4983	1.5Z29R	5144A	2A17	134
1.5KE6.8C	4903	1.5KE68A	4958	1.5M61Z	5147A	1.5S600CA	4996	1.5Z29S	4983	1.5Z29T	5144A	2A18	135
1.5KE6.8CA	4903	1.5KE68C	4959	1.5M100Z	5156A	1.5S650	4998	1.5Z29U	4983	1.5Z29V	5144A	2A19	136
1.5KE6.8CT	4902	1.5KE68CA	4959	1.5M40Z	5160A	1.5S650A	4998	1.5Z29W	4983	1.5Z29X	5144A	2A20	137
1.5KE7.15A	4904	1.5KE75	4959	1.5M40Z10	5160A	1.5S650CA	4998	1.5Z29Y	4983	1.5Z29Z	5144A	2A21	138
1.5KE7.15CA	4905	1.5KE75A	4960	1.5R2.2A	5122A	1.5S68.8A	4902	1.5Z30	4983	1.5Z30A	5145A	2A22	139
1.5KE7.15CP	4905	1.5KE75CA	4960	1.5R2.2B	5122A	1.5S68.8CA	4903	1.5Z30B	4983	1.5Z30C	5145A	2A23	140
1.5KE7.15P	4904	1.5KE75CA	4960	1.5R2.2C	5122A	1.5S68.8CA	4903	1.5Z30D	4983	1.5Z30E	5145A	2A24	141
1.5KE7.5A	4904	1.5KE75C	4961	1.5R2.2D	5122A	1.5S68.8CA	4903	1.5Z30F	4983	1.5Z30G	5145A	2A25	142
1.5KE7.5CA	4905	1.5KE75CP	4960	1.5R2.2E	5122A	1.5S68.8CA	4903	1.5Z30H	4983	1.5Z30I	5145A	2A26	143
1.5KE7.5CA	4905	1.5KE75P	4960	1.5R2.2F	5122A	1.5S68.8CA	4903	1.5Z30J	4983	1.5Z30K	5145A	2A27	144
1.5KE7.5CA	4905	1.5KE75P	4960	1.5R2.2G	5122A	1.5S68.8CA	4903	1.5Z30L	4983	1.5Z30M	5145A	2A28	145
1.5KE7.5CA	4905	1.5KE75P	4960	1.5R2.2H	5122A	1.5S68.8CA	4903	1.5Z30N	4983	1.5Z30O	5145A	2A29	146
1.5KE7.5CA	4905	1.5KE75P	4960	1.5R2.2I	5122A	1.5S68.8CA	4903	1.5Z30P	4983	1.5Z30Q	5145A	2A30	147
1.5KE7.5CA	4905	1.5KE75P	4960	1.5R2.2J	5122A	1.5S68.8CA	4903	1.5Z30R	4983	1.5Z30S	5145A	2A31	148
1.5KE7.5CA	4905	1.5KE75P	4960	1.5R2.2K	5122A	1.5S68.8CA	4903	1.5Z30T	4983	1.5Z30U	5145A	2A32	149
1.5KE7.5CA	4905	1.5KE75P	4960	1.5R2.2L	5122A	1.5S68.8CA	4903	1.5Z30V	4983	1.5Z30W	5145A	2A33	150
1.5KE7.5CA	4905	1.5KE75P	4960	1.5R2.2M	5122A	1.5S68.8CA	4903	1.5Z30X	4983	1.5Z30Y	5145A	2A34	151
1.5KE7.5CA	4905	1.5KE75P	4960	1.5R2.2N	5122A	1.5S68.8CA	4903	1.5Z30Z	4983	1.5Z30A	5145A	2A35	152
1.5KE7.5CA	4905	1.5KE75P	4960	1.5R2.2P	5122A	1.5S68.8CA	4903	1.5Z30B	4983	1.5Z30C	5145A	2A36	153
1.5KE7.5CA	4905	1.5KE75P	4960	1.5R2.2Q	5122A	1.5S68.8CA	4903	1.5Z30D	4983	1.5Z30E	5145A	2A37	154
1.5KE7.5CA	4905	1.5KE75P	4960	1.5R2.2R	5122A	1.5S68.8CA	4903	1.5Z30F	4983	1.5Z30G	5145A	2A38	155
1.5KE7.5CA	4905	1.5KE75P	4960	1.5R2.2S	5122A	1.5S68.8CA	4903	1.5Z30H	4983	1.5Z30I	5145A	2A39	156
1.5KE7.5CA	4905	1.5KE75P	4960	1.5R2.2T	5122A	1.5S68.8CA	4903	1.5Z30J	4983	1.5Z30K	5145A	2A40	157
1.5KE7.5CA	4905	1.5KE75P	4960	1.5R2.2U	5122A	1.5S68.8CA	4903	1.5Z30L	4983	1.5Z30M	5145A	2A41	158
1.5KE7.5CA	4905	1.5KE75P	4960	1.5R2.2V	5122A	1.5S68.8CA	4903	1.5Z30N	4983	1.5Z30O	5145A	2A42	159
1.5KE7.5CA	4905	1.5KE75P	4960	1.5R2.2W	5122A	1.5S68.8CA	4903	1.5Z30P	4983	1.5Z30Q	5145A	2A43	160
1.5KE7.5CA	4905	1.5KE75P	4960	1.5R2.2X	5122A	1.5S68.8CA	4903	1.5Z30R	4983	1.5Z30S	5145A	2A44	161
1.5KE7.5CA	4905	1.5KE75P	4960	1.5R2.2Y	5122A	1.5S68.8CA	4903	1.5Z30T	4983	1.5Z30U	5145A	2A45	162
1.5KE7.5CA	4905	1.5KE75P	4960	1.5R2.2Z	5122A	1.5S68.8CA	4903	1.5Z30V	4983	1.5Z30W	5145A	2A46	163
1.5KE7.5CA	4905	1.5KE75P	4960	1.5R2.2A	5122A	1.5S68.8CA	4903	1.5Z30X	4983	1.5Z30Y	5145A	2A47	164
1.5KE7.5CA	4905	1.5KE75P	4960	1.5R2.2B	5122A	1.5S68.8CA	4903	1.5Z30Z	4983	1.5Z30A	5145A	2A48	165
1.5KE7.5CA	4905	1.5KE75P	4960	1.5R2.2C	5122A	1.5S68.8CA	4903	1.5Z30B	4983	1.5Z30C	5145A	2A49	166
1.5KE7.5CA	4905	1.5KE75P	4960	1.5R2.2D	5122A	1.5S68.8CA	4903	1.5Z30D	4983	1.5Z30E	5145A	2A50	167
1.5KE7.5CA	4905	1.5KE75P	4960	1.5R2.2E	5122A	1.5S68.8CA	4903	1.5Z30F	4983	1.5Z30G	5145A	2A51	168
1.5KE7.5CA	4905	1.5KE75P	4960	1.5R2.2F	5122A	1.5S68.8CA	4903	1.5Z30H	4983	1.5Z30I	5145A	2A52	169
1.5KE7.5CA	4905	1.5KE75P	4960	1.5R2.2G	5122A	1.5S68.8CA	4903	1.5Z30J	4983	1.5Z30K	5145A	2A53	170
1.5KE7.5CA	4905	1.5KE75P	4960	1.5R2.2H	5122A	1.5S68.8CA	4903	1.5Z30L	4983	1.5Z30M	5145A	2A54	171
1.5KE7.5CA	4905	1.5KE75P	4960	1.5R2.2I	5122A	1.5S68.8CA	4903	1.5Z30N	4983	1.5Z30O	5145A	2A55	172
1.5KE7.5CA	4905	1.5KE75P	4960	1.5R2.2J	5122A	1.5S68.8CA	4903	1.5Z30P	4983	1.5Z30Q	5145A	2A56	173
1.5KE7.5CA	4905	1.5KE75P	4960	1.5R2.2K	5122A	1.5S68.8CA	4903	1.5Z30R	4983	1.5Z30S	5145A	2A57	174
1.5KE7.5CA	4905	1.5KE75P	4960	1.5R2									

To Be Replaced	ECG Replacement	To Be Replaced	ECG Replacement	To Be Replaced	ECG Replacement	To Be Replaced	ECG Replacement	To Be Replaced	ECG Replacement	To Be Replaced	ECG Replacement	To Be Replaced	ECG Replacement
2D033	289A	2G323	102	2N63	102A	2N176(Wh/Gm)	121	2N289	102A	2N369	102	2N480A	123A
2D096	102A	2G324	102	2N64	102A	2N176(Wh/Red)	121	2N290	102	2N370	126A	2N480B	128
2D038	313	2G339	102	2N65	102	2N176	104	2N270-SE	102	2N370/33	126A	2N481	100
2D039	102	2G339A	101	2N71	102	2N176-BLU	121	2N270A	102	2N371	126A	2N482	100
2D040	102	2G344	102A	2N72	126A	2N176-WHT	121	2N271	100	2N371/33	126A	2N483	100
2D2B41	5313*	2G345	102A	2N73	102	2N176-1YEL	121	2N271A	100	2N372	126A	2N483-5M	102
2D7A	5066A	2G371	102A	2N74	102	2N176-3PUR	121	2N272	102A	2N372/33	126A	2N483B	102
2D41	5400	2G371A	102A	2N75	126A	2N176-4PUR	121	2N273	102A	2N373	126A	2N484	100
2D165	177	2G374	102A	2N76	102	2N176-5WHT	121	2N274	160	2N373/33	126A	2N485	100
2D115	558	2G374A	102A	2N77	102A	2N176-6WHT	121	2N274BLU	160	2N374	126A	2N486	100
2D013-54	102	2G376	102A	2N78	101	2N176A	101	2N274WHT	160	2N375	104	2N486B	100
2D013-109	102	2G377	102A	2N79	102	2N176BLK	121	2N275	126A	2N375/33	126A	2N487	100
2D016	102	2G378	102A	2N79	102	2N176-BLU	121	2N276	160	2N376	104	2N488	100
2E	156A	2G381	102A	2N80	102	2N176-BLU	121	2N277	330	2N377	104	2N489	6400B
2E05	116	2G382	102A	2N81	102	2N176GRN	101	2N278	330	2N378	104	2N495/18	106
2E1	116	2G394	102	2N82	102	2N176M	102	2N282	102	2N379	179	2N496	106
2E1A20A22AAB	128	2G395	100	2N82AG	112	2N176PUR	121	2N283	102A	2N380	104	2N497	128
2E2	156	2G396	100	2N83	100	2N176RED	121	2N285	104	2N384/33	160	2N497A	128
2E4	116	2G397	100	2N85	126A	2N176V	104	2N285A	101	2N385	101	2N498	128
2E6	156	2G401	126A	2N86	126A	2N176WHT	121	2N285B	104	2N392	104	2N499	126A
2E7	156	2G402	126A	2N87	126A	2N176-YEL	121	2N286	104	2N392A	104	2N500	126A
2E10	156	2G404	160	2N88	126A	2N178	104	2N290	213	2N394	100	2N500A	126A
2E10M15	156	2G413	160	2N89	126A	2N179	104	2N291	102A	2N394A	100	2N500BLU	126A
2E23.6D5	5112A	2G414	126A	2N90	126A	2N180	102A	2N292	102A	2N395	100	2N500RED	126A
2E23.9D5	5113A	2G415	126A	2N94	103	2N182	103A	2N292A	101	2N396	100	2N500WHT	126A
2E24.3D5	5114A	2G416	126A	2N94A	101	2N183	103	2N293	101	2N398A	100	2N501	126A
2E24.7D5	5115A	2G417	126A	2N95	103/4116	2N185	126A	2N295	15875	2N397	100	2N501/18	126A
2E25.1D5	5116A	2G508	102	2N96	102	2N185BLU	102A	2N296	104	2N399	104	2N501A	126A
2E25.6D5	5117A	2G509	102	2N97	103	2N186	102A	2N297	121	2N400	104	2N502	126A
2E26.1D5	5118A	2G510	102	2N97A	101	2N187	102A	2N297A	104	2N401	104	2N502A	126A
2E26.3D5	5119A	2G512	100	2N98	102	2N188	102A	2N298	102	2N402	102	2N502B	126A
2E27.5D5	5121A	2G603	100	2N100	101	2N187A	102A	2N300	160	2N403	100	2N503	126A
2E28.2D5	5122A	2G604	100	2N102	101	2N188	102	2N301	102	2N404	100	2N504	126A
2E29.1D5	5124A	2G605	100	2N104	102A	2N188A	102A	2N301A	121	2N405	102A	2N505	100
2E210D5	5125A	2G609	116	2N105	102A	2N189	102	2N301B	121	2N408	102A	2N506	120A
2E211D5	5126A	2G3055	130	2N106	102A	2N190	102	2N301W	121	2N408BLU	102A	2N508	102
2E212D5	5127A	2GA	116	2N107	100	2N191	102	2N302	102	2N408BRN	102A	2N508A	102A
2E213D5	5128A	2GWJ42	586	2N108	102A	2N192	102	2N302A	102A	2N408GRN	102A	2N509	160
2E214D5	5129A	2H134	159	2N109	102A	2N193	103	2N302A-YEL	102A	2N408GRN-YEL	102A	2N510	160
2E215D5	5130A	2H1255	102	2N109/5	102	2N194	103	2N307	104	2N408ORN	102A	2N514	179
2E215DE	5130A	2H1256	106	2N109BLU	102A	2N194A	103	2N307A	104	2N408RED	102A	2N514A	179
2E216D5	5131A	2H127	106	2N109GRN	102A	2N195	102	2N307B	104	2N409	126A	2N515	179
2E217D5	5132A	2H1258	159	2N109M1	102A	2N196	102	2N308	100	2N407BLK	102A	2N515	103
2E218D5	5133A	2H1259	159	2N109M2	102A	2N197	102	2N309	100	2N407GRN	102A	2N516	103
2E219D5	5134A	2HR3J	125	2N109WHT	102A	2N198	102	2N310	102	2N407J	102A	2N517	103
2E220D5	5135A	2HR3M	125	2N109YEL	102A	2N199	102	2N311	102	2N407RED	102A	2N518	100
2E221D5	5136A	2HT6	505	2N111	102	2N200	102	2N312	102	2N407WHT	102A	2N519	100
2E224D5	5137A	2HT16	504	2N111A	102	2N204	102	2N313	101	2N407YEL	102A	2N519A	100
2E227D5	5138A	2J4B41	5015*	2N111B	126A	2N205	102	2N314	101	2N408	102A	2N520	100
2E229D5	5141A	2J72	180	2N111M1	102	2N206	102A	2N315	100	2N408J	102A	2N520A	100
2E230D5	5142A	2K02	152	2N111M2	102	2N207	102	2N316	102	2N408WHT	102A	2N521	100
2E230D5	5143A	2K02	152	2N112	126A	2N207A	102	2N316B	102	2N409	26A	2N521A	100
2E230D5	5144A	2K48	160	2N112A	102	2N207B	102	2N316	100	2N410	126A	2N522	100
2E230D5	5145A	2K73B	2990	2N112M1	126A	2N207BLU	102	2N316A	102	2N411	126A	2N522A	100
2E247D5	5146A	2KBB10R	166	2N117	123AP	2N211	103	2N317	100	2N412	126A	2N523	100
2E251D5	5147A	2KBB20R	167	2N118	123AP	2N212	103	2N317A	100	2N413	100	2N523A	100
2E256D5	5148A	2KBB40R	168	2N118A	123AP	2N213	103	2N318	100	2N413A	100	2N523B	100
2E262D5	5150A	2KBB60R	169	2N119	123AP	2N215	102A	2N319	102	2N414	100	2N530	100
2E263D5	5152A	2KBB100R	170	2N120	123AP	2N216	102	2N320	102A	2N414A	100	2N531	100
2E263D5	5152A	2KBB100R	170	2N123	100	2N219	102A	2N320A	102	2N414B	102	2N532	100
2E291D5	5155A	2KBP005	166	2N123A	126A	2N217A	102A	2N322	102	2N414C	102	2N533	100
2E2100D5	5156A	2KBP005M	166	2N124	101	2N217MP	102A	2N323	102	2N414S	102	2N534	102A
2E2110D5	5157A	2KBP01	166	2N125	101	2N217PRED	102A	2N324	102	2N415A	100	2N535	102A
2E2120D5	5158A	2KBP01M	166	2N126	101	2N217WHT	102A	2N325	104	2N416	100	2N535A	102A
2E2130D5	5159A	2KBP02	167	2N127	101	2N217YEL	102A	2N327	100	2N416B	179	2N535B	102A
2E2140D5	5160A	2KBP02M	167	2N128	126A	2N218	126A	2N327A	100	2N419	104	2N536	102A
2E2150D5	5161A	2KBP04	188	2N129	126A	2N219	160	2N327B	129	2N420	121	2N537	126A
2E2170D5	5163A	2KBP06	109	2N130	102	2N220	102	2N328	129	2N421	126	2N538	126A
2E2170D5	5163A	2KBP06	109	2N131	102	2N222	102A	2N328A	129	2N422	102	2N542	128
2E2180D5	5164A	2KBP06M	189	2N131A	102	2N222A	102A	2N328B	129	2N422A	102	2N542A	123
2E2200D5	5166A	2KBP08	170	2N132	102	2N223	102A	2N329	129	2N425	102	2N543	123A
2F	160	2KBP08M	170	2N132A	102A	2N224	102A	2N329A	129	2N426	100	2N543A	123A
2F05	5800	2KBP10	170	2N133	102	2N225	102A	2N329B	129	2N427	100	2N544	123A
2F2CN1	158	2KBP10M	170	2N133A	102A	2N226	102A	2N330	129	2N427A	102A	2N544/33	126A
2F2CN5	159	2L15	585	2N135	100	2N227	102	2N330A	129	2N428A	100	2N545	126
2F4	116	2M78	101	2N136	100	2N229	103	2N332	123A	2N431	123	2N546	123A
2F49	465	2N137	50A	2N137	103	2N230	103	2N332A	123A	2N432	123	2N547	123A
2FB050	168	2N127	102	2N138	126A	2N231	126A	2N333	123	2N433	123	2N548	123A
2FB100	166	2MA	119	2N138A	102A	2N2							

ECG SEMICONDUCTOR REPLACEMENT GUIDE

2N602 through 2N1604

To Be Replaced	ECG Replacement	To Be Replaced	ECG Replacement	To Be Replaced	ECG Replacement	To Be Replaced	ECG Replacement	To Be Replaced	ECG Replacement	To Be Replaced	ECG Replacement	To Be Replaced	ECG Replacement
2N602	126A	2N700	160	2N811	100	2N977	126A	2N132A46	129	2N1274BLU	102	2N1472	128
2N602A	126A	2N700/18	160	2N812	100	2N978	100	2N132B	129	2N1274BRN	102	2N1474	159
2N603	126A	2N700A	160	2N813	102A	2N979	126A	2N132B46	129	2N1274GRN	102	2N1474A	159
2N603A	126A	2N701	160	2N814	102A	2N980	126A	2N133	129	2N1274PUR	102	2N1475	159
2N604	126A	2N701A/18	160	2N815	102A	2N981	126A	2N136	104	2N1274RED	102	2N1479	102
2N605	126A	2N702	123A	2N818	158	2N982	126A	2N136A	104	2N1274V10	176	2N1480	324
2N606	126A	2N703	123A	2N819	102A	2N983	126A	2N137	104	2N1275	129	2N1481	324
		2N705	126A			2N984	126A						
2N607	126A	2N705A	126A	2N821	101	2N985	126A	2N137A	179	2N1276	129A	2N1482	324
2N608	126A	2N706	123A	2N822	101	2N986	126A	2N138	129	2N1277	123A	2N1487	280
2N609	102	2N706/46	123A	2N823	101	2N988	123A	2N138A	179	2N1278	123A	2N1488	280
2N610	102	2N706A	123A	2N824	101	2N989	123A	2N139	129	2N1279	123A	2N1489	280
2N611	102	2N706B	123A	2N827	126	2N990	126A	2N140	123A	2N1280	100	2N1490	283
2N612	102	2N706/46	123A	2N828	126A	2N991	126A	2N141	123A	2N1281	100	2N1491	128
2N613	102	2N706C	123A	2N829	126A	2N992	126A	2N142	123A	2N1282	100	2N1492	128
2N614	100	2N707	311	2N830	126A	2N993	126A	2N144	179	2N1284	100	2N1493	154
2N615	100	2N707A	123A	2N834	123A	2N994	126A	2N146A	179	2N1289	101	2N1499	126A
2N616	100	2N708	123A	2N834A	123A	2N995	106	2N146B	179	2N1291	104	2N1499A	126A
2N617	100	2N708/46	123A	2N835	123A	2N995A	106	2N148C	121	2N1293	100	2N1499B	126A
2N619	123A	2N708A	123A	2N837	126A	2N996	106	2N147A	179	2N1295	179	2N1500	126A
2N620	123A	2N709	100	2N838	126A	2N997	106	2N147B	179	2N1297	179	2N1501	126A
2N621	123A	2N709/46	123A	2N839	123A	2N998	106	2N147C	179	2N1298	100	2N1502	126A
2N622	126A	2N709/52	108	2N840	123A	2N999	106	2N147D	179	2N1302	101	2N1508A	126A
		2N709A	108	2N841	123A	2N1000	104	2N148	123AP	2N1303	102	2N1507	128
2N624	126A	2N709A46	278	2N842	123A	2N1008	102	2N150	123AP	2N1304	101	2N1510	101
2N625	103	2N710	126A	2N843	123A	2N1010	103A	2N151	123AP	2N1305	102	2N1515	126A
2N627	179	2N710A	126A	2N844	123A	2N1011	179	2N152	123AP	2N1306	101	2N1516	126A
2N628	179	2N711	289A	2N845	128	2N1014	179	2N155	123AP	2N1307	100	2N1517	126A
2N629	179	2N711A	126A	2N846	160	2N1020	121	2N154	194	2N1308	103	2N1517A	160
2N630	179	2N711B	126A	2N846A	126A	2N1021	179	2N155	194	2N1311	104	2N1518	213
2N631	102	2N711C	126A	2N846B	126A	2N1022	179	2N156	194	2N1312	104	2N1519	213
2N632	102	2N716A	123A	2N849	108	2N1022A	179	2N157	213	2N1315	176	2N1520	213
2N633	102	2N717	123A	2N850	108	2N1024	179	2N157A	213	2N1316	100	2N1521	213
2N633B	102	2N717A	123A	2N851	108	2N1025	179	2N158	126A	2N1317	100	2N1522	213
2N634	101	2N719	103A	2N852	108	2N1025A	159	2N158A	126A	2N1318	100	2N1523	80+
2N634A	101	2N718A	123A	2N858	159	2N1026	159	2N159	179	2N1319	100	2N1524	126A
2N637	104	2N719	194	2N859	159	2N1026A	159	2N160	159	2N1325	154	2N1524.1	160
2N637A	104	2N719A	194	2N860	159	2N1027	159	2N162	179	2N1326	154	2N1524.2	160
2N638	104	2N720	159	2N861	159	2N1028	159	2N163A	179	2N1327	154	2N1524/33	160
2N638A	104	2N720A	159	2N862	159	2N1028A	159	2N163B	179	2N1328	154	2N1525	160
2N639	104	2N721	159	2N863	159	2N1029A	179	2N163A	179	2N1339	154	2N1526	126A
2N639A	104	2N721A	159	2N864	159	2N1029B	179	2N164	179	2N1340	154	2N1529/33	160
2N641	126A	2N722	159	2N864A	106	2N1030	179	2N165	154	2N1341	154	2N1531	126A
2N643	126A	2N722A	159	2N865	106	2N1030A	179	2N165A	179	2N1342	100	2N1532	123
2N644	126A	2N723	106	2N865A	106	2N1030B	179	2N166	179	2N1343	100	2N1532A	179
2N645	126A	2N725	126A	2N866	123A	2N1030C	179	2N166A	179	2N1344	100	2N1529A	179
2N646	103A	2N726	106	2N867	123A	2N1030C	179	2N166A	179	2N1345	100	2N1530	179
2N647	103A	2N727	106	2N869	106	2N1031	179	2N167	179	2N1346	100	2N1531	179
2N647/22	103A	2N720	123	2N869A	106	2N1031A	179	2N168	121	2N1347	100	2N1531A	179
2N648	103	2N729	123A	2N870	128	2N1031B	179	2N169	103	2N1352	102	2N1532	179
2N649	103A	2N730	123A	2N871	100	2N1031C	179	2N170	100	2N1353	100	2N1533	179
2N649A	103A	2N731	123A	2N872	5400	2N1032	179	2N171	100	2N1354	100	2N1534	179
2N653	102	2N734	128	2N877	5400	2N1032A	179	2N173W	103A	2N1355	100	2N1536	179
2N654	102	2N735	128	2N878	5401	2N1032B	179	2N174	102	2N1356	100	2N1537	179
2N655	102	2N735A	128	2N879	5402	2N1032C	179	2N174W	176	2N1358	213	2N1537A	179
2N655A	102	2N736	128	2N880	5404	2N1033	121	2N176	100	2N1358A	213	2N1539	179
2N655GRN	102	2N736A	128	2N881	5404	2N1034	129	2N182	213	2N1358M	213	2N1539A	179
2N655RED	102	2N736B	128	2N906	123AP	2N1035	129	2N186	159	2N1359	179	2N1540	179
2N656	128	2N738	154	2N909	123A	2N1036	129	2N187	129	2N1360	121	2N1540A	179
2N657	103	2N739	128	2N910	123A	2N1037	101	2N188	101	2N1361	100	2N1541	179
2N658	103	2N739A	154	2N911	123A	2N1038	176	2N189	123	2N1362	100	2N1541A	179
2N659	100	2N740	154	2N912	128	2N1042	126A	2N189A	123	2N1362A	179	2N1542	179
2N662	100	2N740A	126A	2N913	123A	2N1043	126A	2N190	123	2N1363	100	2N1542A	179
2N663	121	2N741	126A	2N914	123A	2N1044	102	2N191	123	2N1366	179	2N1543A	179
2N665	121	2N741A	160	2N914/51	108	2N1045	102	2N120A	126A	2N1367	101	2N1544	179
2N669	104	2N742	123A	2N914A	123A	2N1046	179	2N120A4	126A	2N1370	102	2N1544A	179
2N672	176	2N742A	123A	2N915	123A	2N1051	128	2N1205	123	2N1372	102	2N1545	179
2N673	179	2N743	123A	2N915A	154	2N1052	154	2N1207	102	2N1373	102	2N1545A	179
2N677A	179	2N743A	123A	2N916	123A	2N1053	154	2N1209	102	2N1374	102	2N1546	179
2N677B	179	2N744	123A	2N916A	154	2N1054	154	2N1209	738	2N1378	102	2N1546A	179
2N677C	179	2N744A	311	2N917	161	2N1055	128	2N1212	738	2N1379	102	2N1547	179
2N678	179	2N745	123A	2N917A	161	2N1056	102	2N1213	126A	2N1380	102	2N1547A	179
2N678A	179	2N746	123A	2N918	106	2N1057	102	2N1214	126A	2N1381	102	2N1549	179
2N678B	179	2N747	123A	2N919	123A	2N1058	101	2N1215	126A	2N1382	102	2N1549A	179
2N679	101	2N748	123A	2N920	123A	2N1060	103	2N1216	126A	2N1383	102	2N1550	179
2N679A	101	2N749	123A	2N921	123A	2N1069	130	2N1217	101	2N1384	126A	2N1550A	179
2N680	102A	2N750	123A	2N922	123A	2N1070	130	2N1219	159	2N1385	123	2N1551	179
2N681	5521	2N751	123A	2N923	159	2N1073	179	2N1220	159	2N1386	123	2N1551A	179
2N681M	5521	2N752	129	2N924	159	2N1073A	179	2N1221	159	2N1388	123A	2N1552	179
2N681X	5521	2N753	123A	2N925	159	2N1075	123A	2N1222	159	2N1389	123A	2N1552A	179
2N682	5521	2N753/46	123A	2N926	159	2N1081	128	2N1223	159	2N1390	103	2N1553	179
2N682A	5521	2N754	123A	2N927	159	2N1082	123	2N1227	104	2N1391	123	2N1553A	179
2N682M	5521	2N755	128	2N928	159	2N1086	101	2N1227-3	104	2N1392	102	2N1554	179
2N682X	5521	2N756	123A	2N929	123A	2N1086A	101	2N1227-4R	104	2N1393	100	2N1554A	179
2N683	5522	2N756A	123A	2N929/46	123A	2N1087	101	2N1227-4R	104	2N1398	126A	2N1555	179
2N683A	5522	2N757	123A	2N929A	123A	2N1089	101	2N1227A	104	2N1399	126A	2N1555A	179

To Be Replaced	ECG Replacement	To Be Replaced	ECG Replacement	To Be Replaced	ECG Replacement	To Be Replaced	ECG Replacement	To Be Replaced	ECG Replacement	To Be Replaced	ECG Replacement		
2N1608	129	2N1784	150	2N1972	128	2N2153	213	2N2303	159	2N2515	123A	2N2717	126A
2N1607	159	2N1785	126A	2N1973	128	2N2153A	213	2N2309	123	2N2516	128	2N2718	126A
2N1608	159	2N1786	126A	2N1974	129	2N2154	213	2N2310	287	2N2517	287	2N2719	123A
2N1613	128	2N1787	126A	2N1975	129	2N2154A	213	2N2311	387	2N2518	287	2N2720	81
2N1613/46	123A	2N1792	5575	2N1980	213	2N2155	213	2N2313	287	2N2519	287	2N2721	81
2N1613	128	2N1793	5575	2N1981	213	2N2155A	213	2N2314	287	2N2520	287	2N2722	81
2N1613	128	2N1794	5575	2N1982	128	2N2156	213	2N2316	287	2N2522	287	2N2727	311
2N1614	158	2N1795	5575	2N1983	128	2N2157	213	2N2317	128	2N2523	123A	2N2771	70
2N1615	128	2N1796	5577	2N1984	128	2N2157A	213	2N2318	123A	2N2524	123A	2N2783	126A
2N1616	738	2N1797	5577	2N1985	128	2N2158	213	2N2319	123A	2N2525	123A	2N2784	108
2N1616A	738	2N1798	5577	2N1986	128	2N2158A	213	2N2320	123A	2N2526	179	2N2784/46	108
2N1617	738	2N1799	5577	2N1987	128	2N2159	213	2N2321	123A	2N2529	123A	2N2784/52	108
2N1617A	738	2N1800	5579	2N1988	128	2N2159A	213	2N2330	123	2N2530	123A	2N2786	160
2N1618	738	2N1801	5579	2N1989	128	2N2159A	213	2N2331	123A	2N2531	123A	2N2788A	160
2N1618A	738	2N1802	5579	2N1990	128	2N2160	6400E	2N2332	159	2N2532	123A	2N2789	128
2N1622	129	2N1803	5579	2N1990R	128	2N2161	128	2N2333	159	2N2533	123A	2N2789	128
2N1624	101	2N1804	5579	2N1990S	128	2N2162	159	2N2334	159	2N2534	123A	2N2789	128
2N1631	126A	2N1805	5579	2N1991	159	2N2163	128	2N2335	159	2N2537	123A	2N2790	123A
2N1632	126A	2N1806	5579	2N1992	128	2N2164	158	2N2336	159	2N2538	123A	2N2791	123A
2N1633	126A	2N1807	5574	2N1993	103	2N2165	159	2N2337	159	2N2539	123A	2N2792	123A
2N1634	126A	2N1807	128	2N1994	101	2N2166	159	2N2347	2347	2N2540	123A	2N2792	123A
2N1635	126A	2N1837A	128	2N1995	101	2N2167	159	2N2349	123A	2N2540A	195A	2N2795	126A
2N1636	128A	2N1838	128	2N1996	101	2N2168	136A	2N2350	128	2N2541	176	2N2796	126A
2N1637	128A	2N1839	128	2N2001	102	2N2169	126A	2N2350A	128	2N2551	289	2N2797	160
2N1637/30	160	2N1840	123A	2N2002	159	2N2170	126A	2N2351	128	2N2560	123A	2N2798	160
2N1638	126A	2N1842	5501	2N2003	159	2N2172	100	2N2352	128	2N2570	123A	2N2799	160
2N1639	126A	2N1843	5501	2N2004	159	2N2173	175	2N2353	128	2N2571	123A	2N2800	123A
2N1639/33	160	2N1843	5501	2N2005	159	2N2175	106	2N2352A	128	2N2572	123A	2N2800/46	158
2N1640	106	2N1843A	5501	2N2006	159	2N2176	108	2N2353	128	2N2586	123A	2N2801	159
2N1641	106	2N1843AX	5501	2N2007	159	2N2177	106	2N2353A	128	2N2587	180	2N2801/48	159
2N1642	106	2N1843B	5501	2N2008	154	2N2178	159	2N2354	103	2N2588	126A	2N2802	82
2N1643	159	2N1843X	5501	2N2017	128	2N2180	126A	2N2363	180	2N2590	129	2N2803	82
2N1644	128	2N1844	5502	2N2022	160	2N2181	159	2N2364	396	2N2591	129	2N2804	82
2N1644A	123A	2N1844A	5502	2N2023	5570	2N2182	159	2N2364A	396	2N2592	129	2N2805	82
2N1647	128	2N1844X	5502	2N2024	5570	2N2183	126A	2N2370	123A	2N2593	128	2N2806	82
2N1648	75	2N1844B	5502	2N2025	5570	2N2184	159	2N2378A	123A	2N2595	128	2N2807	82
2N1648	75	2N1844X	5502	2N2026	5570	2N2185	159	2N2380	123A	2N2596	159	2N2811	738
2N1650	75	2N1845	5504	2N2027	5570	2N2186	159	2N2369/46	123A	2N2596	159	2N2812	738
2N1651	179	2N1845A	5504	2N2028	5572	2N2187	159	2N2369A	123A	2N2597	159	2N2813	738
2N1652	179	2N1845B	5504	2N2029	5572	2N2188	126A	2N2370	159	2N2598	289	2N2814	738
2N1654	129	2N1846	5504	2N2030	5572	2N2189	128A	2N2371	159	2N2599	288	2N2815	71
2N1655	288	2N1846A	5504	2N2032	108	2N2192	128	2N2372	159	2N2599A	288	2N2816	71
2N1656	288	2N1846AX	5504	2N2033	2347	2N2192A	128	2N2373	159	2N2600	288	2N2819	70
2N1659	126	2N1846B	5504	2N2034	2347	2N2193	128	2N2374	159	2N2601	288	2N2820	70
2N1665	160	2N1846C	5504	2N2036	128	2N2193	128	2N2377	159	2N2601	159	2N2821	70
2N1666	179	2N1847	5507	2N2039	128	2N2193A	128	2N2378	159	2N2602	159	2N2823	70
2N1667	121	2N1847A	5507	2N2040	128	2N2193B	128	2N2380	128	2N2603	159	2N2824	70
2N1668	104	2N1847B	5507	2N2041	128	2N2194	128	2N2380A	128	2N2604	159	2N2825	70
2N1669	104	2N1848	5507	2N2048	128	2N2194A	128	2N2381	126A	2N2605	159	2N2831	123A
2N1671	6400E	2N1848A	5507	2N2048A	126A	2N2194B	128	2N2380A	460	2N2606A	159	2N2832	179
2N1673	128	2N1848AX	5507	2N2049	128	2N2195	128	2N2380B	460	2N2609(GD)	806	2N2836	126A
2N1674	123A	2N1848B	5507	2N2059	126A	2N2195A	128	2N2393	159	2N2609	460	2N2837	159
2N1675	159	2N1848C	5507	2N2061	104	2N2196	128	2N2394	159	2N2609	159	2N2838	159
2N1677	128	2N1848X	5507	2N2061A	104	2N2196	128	2N2397	123	2N2612	129	2N2845	123A
2N1681	102	2N1849A	5507	2N2062	104	2N2197	104	2N2400	126A	2N2613	102A	2N2846	123A
2N1682	123	2N1849AX	5507	2N2063A	104	2N2198	128	2N2401	126A	2N2615	100	2N2847	126A
2N1683	126A	2N1849B	5507	2N2063	104	2N2199	126A	2N2402	126A	2N2616	108	2N2848	123A
2N1684	100	2N1849X	5507	2N2063A	104	2N2200	126A	2N2405	2347	2N2617	123A	2N2849	2347
2N1685	101	2N1850	5509	2N2064	104	2N2205	123A	2N2405L	2347	2N2618	154	2N2849-1	2347
2N1694	101	2N1850A	5509	2N2064A	104	2N2206	123A	2N2405S	2347	2N2619	5474	2N2849-2	74
2N1699	126A	2N1850AX	5509	2N2065	104	2N2209	102	2N2406	176	2N2620	126A	2N2850	2347
2N1700	102	2N1850B	5509	2N2065A	104	2N2210	128	2N2407	128	2N2621	126A	2N2850-1	2347
2N1702	159	2N1850C	5509	2N2065A	104	2N2211	128	2N2411	159	2N2622	126A	2N2850 C	2347
2N1703	130	2N1853	126A	2N2066A	104	2N2218	128	2N2412	159	2N2624	126A	2N2851	2347
2N1704	123A	2N1854	126A	2N2069	179	2N2216A	128	2N2413	123A	2N2625	126A	2N2851-1	2347
2N1705	102	2N1859	103	2N2070	179	2N2219	128	2N2415	160	2N2626	126A	2N2851-2	74
2N1706	102	2N1864	126A	2N2075	213	2N2219A	128	2N2416	160	2N2627	126A	2N2852	2347
2N1707	102	2N1865	126A	2N2075A	213	2N2220	123A	2N2417	123A	2N2628	126A	2N2852-1	2347
2N1708	123A	2N1866	126A	2N2076	213	2N2220A	123A	2N2423	179	2N2629	126A	2N2852-2	74
2N1708A	123A	2N1868	129	2N2076A	213	2N2221	126A	2N2425	159	2N2630	126A	2N2853	2347
2N1711	128	2N1869	123	2N2077	213	2N2221A	126A	2N2425	159	2N2631	126A	2N2853-1	2347
2N1711/46	123A	2N1891	101	2N2077A	213	2N2222	123A	2N2427	123A	2N2633	74	2N2854	2347
2N1711A	128	2N1892	102	2N2078	213	2N2222A	123A	2N2428	123A	2N2635	126A	2N2854-1	2347
2N1711B	128	2N1893	154	2N2078A	213	2N2223	123A	2N2428	123A	2N2636	126A	2N2854-2	2347
2N1715	128	2N1893/46	154	2N2079	213	2N2223A	126A	2N2430	103A	2N2637	179	2N2855-1	2347
2N1713	126A	2N1893A	154	2N2079A	213	2N2224	123A	2N2431	158	2N2638	179	2N2856	2347
2N1714	126	2N1893B	120	2N2080	213	2N2225	126A	2N2432	123A	2N2639	81	2N2856-1	2347
2N1715	396	2N1893S	128	2N2080A	213	2N2234	123	2N2433	128	2N2640	81	2N2857	316
2N1716	128	2N1905	179	2N2081	213	2N2235	123A	2N2434	128	2N2641	81	2N2860	160
2N1717	396	2N1907	179	2N2081A	213	2N2236	123A	2N2435	287	2N2642	81	2N2861	159
2N1724	738	2N1907											

To Be Replaced	ECG Replacement	To Be Replaced	ECG Replacement	To Be Replaced	ECG Replacement	To Be Replaced	ECG Replacement	To Be Replaced	ECG Replacement	To Be Replaced	ECG Replacement	To Be Replaced	ECG Replacement
2N2922	289A	2N3093	5574	2N3348	82	2N3582	159	2N3736	324	2N3902	283	2N4135	161
2N2923	289A	2N3094	5574	2N3349	82	2N3583	178	2N3737	324	2N3903	129AP	2N4137	311
2N2924	289A	2N3095	5574	2N3350	82	2N3584	178	2N3738	286	2N3904	123AP	2N4138	123A
2N2924-1B	123A	2N3096	5574	2N3351	82	2N3585	175	2N3739	286	2N3904S(SOT-23)	2406	2N4140	5404
2N2925	289A	2N3097	5574	2N3352	82	2N3587	81	2N3740	292	2N3905	159	2N4141	123A
2N2926	289A	2N3098	5578	2N3371	160	2N3588	160	2N3740A	292	2N3906	159	2N4142	159
2N2926-6	289A	2N3107	128	2N3376	460	2N3597	71	2N3741	292	2N3906S(SOT-23)	2407	2N4143	169
2N2926G	289A	2N3108	128	2N3377	460	2N3598	71	2N3741A	292	2N3907	81	2N4144	5400
2N2926GRN	289A	2N3109	128	2N3378	460	2N3599	71	2N3742	154	2N3908	81	2N4145	5400
2N2926ORN	289A	2N3110	128	2N3379	460	2N3600	159	2N3743	397	2N3913	397	2N4146	5401
2N2927	159	2N3114	154	2N3398	154	2N3605	289A	2N3753	5491	2N3914	159	2N4147	5402
2N2927-746	159	2N3115	123A	2N3399	154	2N3606	289A	2N3754	5491	2N3915	159	2N4148	5404
2N2928	159	2N3116	123A	2N3390	199	2N3606	289A	2N3762	323	2N3919	323	2N4149	5404
2N2929	102	2N3117	190	2N3391	199	2N3606A	289A	2N3763	323	2N3920	323	2N4157	5481.6
2N2930	102	2N3120	129	2N3391A	199	2N3607	289A	2N3764	323	2N3923	323	2N4168	5481.6
2N2931	199	2N3121	159	2N3392	289A	2N3611	179	2N3765	323	2N3926	4759	2N4169	5482.3
2N2932	199	2N3122	128	2N3393	289A	2N3612	179	2N3766	384	2N3926BL	4756	2N4170	5483.6
2N2933	199	2N3123	123A	2N3394	289A	2N3613	179	2N3767	384	2N3927	4768	2N4171	5485.6
2N2934	199	2N3125	179	2N3395	289A	2N3614	179	2N3770	180	2N3927GR	4769	2N4172	5485.6
2N2935	199	2N3127	160	2N3396	289A	2N3615	179	2N3771	181	2N3930	159	2N4173	5487.6
2N2936	123A	2N3128	123AP	2N3396	289A	2N3616	179	2N3772	181	2N3931	159	2N4174	5487.6
2N2939	128	2N3129	123AP	2N3396	199	2N3617	179	2N3772C	181	2N3932	161	2N4175	5481.6
2N2940	396	2N3130	123AP	2N3399	160	2N3618	179	2N3773	284	2N3933	161	2N4176	5481.6
2N2941	396	2N3132	179	2N3400	126A	2N3621	72	2N3774	129	2N3945	128	2N4177	5482.3
2N2943	160	2N3133	129	2N3401	159	2N3622	728	2N3775	129	2N3946	123A	2N4178	5483.6
2N2944	139	2N3134	129	2N3402	85	2N3625	72	2N3776	129	2N3947	129	2N4179	5485.6
2N2944A	159	2N3135	159	2N3402(HS)	192A.6	2N3628	123AP	2N3777	323	2N3948	311	2N4180	5485.6
2N2945	159	2N3136	159	2N3403	8	2N3629	72	2N3778	129	2N3953	311	2N4181	5487.6
2N2946	159	2N3137	159	2N3403(HS)	192A.6	2N3631	459	2N3779	129	2N3954	461	2N4182	5487.6
2N2946A	159	2N3148	160	2N3404	85	2N3633	278	2N3780	129	2N3959	278	2N4208	159
2N2946A	159	2N3153	160	2N3404(HS)	192A.6	2N3633	159	2N3781	323	2N3960	278	2N4209	159
2N2949	195A	2N3209	106	2N3405	85	2N3638A	159	2N3783	160	2N3962	159	2N4210	71
2N2952	123A	2N3210	123A	2N3405(HS)	192A.6	2N3639	159	2N3784	160	2N3963	159	2N4211	71
2N2953	102A	2N3211	123A	2N3407	161	2N3640	159	2N3785	160	2N3964	159	2N4220	456
2N2955	126A	2N3218	159	2N3412	126A	2N3641	123A	2N3789	219	2N3965	159	2N4221	456
2N2956	126A	2N3217	159	2N3413	288	2N3642	123A	2N3790	219	2N3967(S.D.G.C.)	456	2N4221A	456
2N2957	126A	2N3218	159	2N3414	289A	2N3643	123A	2N3791	219	2N3968	312	2N4222	312
2N2958	159	2N3219	159	2N3415	289A	2N3644	159	2N3792	219	2N3968(S.D.G.C.)	456	2N4223	312
2N2959	123A	2N3224	397	2N3416	289A	2N3645	129	2N3792(Gen.Purp.)	285	2N3968A(S.D.G.C.)	456	2N4223A	312
2N2960	123A	2N3225	397	2N3417	192A.6	2N3646	129	2N3793	129AP	2N3969	312	2N4227	123A
2N2961	123A	2N3226	130	2N3418	2347	2N3647	123A	2N3794	123AP	2N3969A	312	2N4228	159
2N2968	106	2N3227	311	2N3419	2347	2N3648	123A	2N3795	323	2N3970	466	2N4231A	331
2N2968A	312	2N3228	5511	2N3420	2347	2N3649	5360.5	2N3796	462	2N3971	466	2N4232A	331
2N2969	106	2N3232	130	2N3421	2347	2N3649M	5360.5	2N3797	462	2N3973	293	2N4233A	331
2N2970	106	2N3233	130	2N3426	193A	2N3650	5360.5	2N3798	159	2N3974	233	2N4234	129
2N2971	106	2N3234	280	2N3426	193A	2N3650M	5360.5	2N3799	159	2N3975	233	2N4235	129
2N2972	81	2N3235	123A	2N3427	312	2N3651	5360.5	2N3799A	159	2N3976	233	2N4236	129
2N2974	81	2N3241	123A	2N3436	312	2N3651M	5360.5	2N3799A	159	2N3977	159	2N4237	128
2N2976	81	2N3241A	123A	2N3439	396	2N3652	5360.5	2N3800	82	2N3978	159	2N4238	128
2N2976	81	2N3242	123A	2N3439S	396	2N3652M	5360.5	2N3800	82	2N3979	159	2N4239	128
2N2983	2347	2N3242A	123A	2N3440	396	2N3653	5360.5	2N3808	82	2N3983	107	2N4240	175
2N2985	2347	2N3244	129	2N3441	384	2N3653M	5360.5	2N3810	82	2N3984	107	2N4241	121
2N2987	324	2N3245	129	2N3442	37	2N3654	5360.5	2N3810A	82	2N3985	107	2N4246	159
2N2988	324	2N3246	123A	2N3443	126A	2N3655	5360.5	2N3819	312	2N3995	160	2N4249	159
2N2989	324	2N3248	159	2N3444	126A	2N3656	5360.5	2N3821	459	2N3996	175	2N4250	159
2N2990	324	2N3248	159	2N3445	385	2N3657	5360.5	2N3822	459	2N3999	75	2N4250A	159
2N2991	95	2N3250	159	2N3446	385	2N3658	5360.5	2N3823	452	2N4000	2347	2N4251	278
2N2992	95	2N3250A	159	2N3447	321	2N3660	323	2N3824	459	2N4001	2347	2N4252	161
2N2993	95	2N3251	159	2N3448	321	2N3661	323	2N3825	283A	2N4002	70	2N4253	181
2N2994	95	2N3251A	159	2N3449	126A	2N3662	107	2N3826	283A	2N4003	70	2N4254	107
2N2996	180	2N3252	128	2N3450	396	2N3663	107	2N3827	289A	2N4013	123A	2N4255	107
2N2997	180	2N3253	128	2N3451	159	2N3665	128	2N3828	123AP	2N4014	123A	2N4256	289A
2N2998	160	2N3259	5401	2N3452	312	2N3666	128	2N3829	159	2N4015	82	2N4257	159
2N2999	160	2N3261	123A	2N3453	312	2N3667	130	2N3830	128	2N4016	82	2N4257A	159
2N3009	123A	2N3262	2347	2N3454	312	2N3668	314	2N3831	2347	2N4018	82	2N4258	159
2N3010	109	2N3265	71	2N3455	312	2N3669	314	2N3832	161	2N4021	82	2N4259	161
2N3011	123	2N3266	71	2N3456	312	2N3670	314	2N3833	316	2N4022	82	2N4260	395
2N3012	159	2N3266	80	2N3457	312	2N3671	323	2N3834	129	2N4023	159	2N4261	159
2N3013	123A	2N3268	123A	2N3462	123A	2N3672	288	2N3835	129	2N4024	129	2N4264	123AP
2N3014	123A	2N3279	160	2N3463	123A	2N3673	159	2N3836	289A	2N4028	129	2N4265	123AP
2N3015	123A	2N3280	160	2N3465	312	2N3677	129	2N3837	289A	2N4029	129	2N4269	154
2N3019	396	2N3281	160	2N3466	312	2N3678	128	2N3843A	289A	2N4030	129	2N4270	154
2N3019S	396	2N3282	180	2N3467	129	2N3681	161	2N3844A	289A	2N4031	129	2N4273	384
2N3020	128	2N3283	160	2N3467S	129	2N3682	108	2N3845	289A	2N4032	129	2N4274	123A
2N3020S	128	2N3284	180	2N3468	129	2N3683	161	2N3845A	289A	2N4033	129	2N4275	123A
2N3023	37	2N3285	160	2N3469	129	2N3684	161	2N3846	129	2N4034	106	2N4276	27
2N3025	37	2N3286	160	2N3475	316	2N3684A	312	2N3851	74	2N4035	106</		

To Be Replaced	ECG Replacement	To Be Replaced	ECG Replacement	To Be Replaced	ECG Replacement	To Be Replaced	ECG Replacement	To Be Replaced	ECG Replacement	To Be Replaced	ECG Replacement	To Be Replaced	ECG Replacement
2N4376	5579	2N4928	129	2N5168	5541	2N5372	159	2N5656	157	2N5941	471♦	2N6140	5667A
2N4377	3579	2N4930	397	2N5169	5543	2N5373	159	2N5657	157	2N5942	471♦	2N6141	5667A
2N4378	5578	2N4931	397	2N5170	5529	2N5374	159	2N5660	369	2N5943	77	2N6145	5602A
2N4381	480	2N4931S	397	2N5171	5547	2N5375	159	2N5661	369	2N5943YG	77	2N6149	5602A
2N4383	128	2N4932	316	2N5172	289A	2N5376	123AP	2N5672	327	2N5944	362	2N6151	5614
2N4385	28	2N4935	311	2N5173	268A	2N5377	123AP	2N5673	327	2N5945	363	2N6151	5614
2N4387	153	2N4936	311	2N5175	194	2N5376	159	2N5679	323	2N5946	364	2N6152	5616
2N4388	153	2N4943	128	2N5176	154	2N5379	159	2N5680	323	2N5947	76	2N6153	5618
2N4389	139	2N4944	128	2N5179	316	2N5380	123AF	2N5681	324	2N5950	312	2N6154	5624
2N4391	466	2N4945	194	2N5180	161	2N5381	123AP	2N5682	324	2N5961	123AP	2N6155	5626
2N4392	466	2N4946	128	2N5181	161	2N5382	159	2N5683	30	2N5962	123AP	2N6156	5618
2N4395	130	2N4948	64096	2N5182	161	2N5383	159	2N5683(PA)	30	2N5963	123AP	2N6157	5688
2N4396	130	2N4951	123AP	2N5183	123	2N5397	452	2N5684	30	2N5965	154	2N6158	5589
2N4398	180	2N4952	123AP	2N5189	153A	2N5390	456	2N5685	30	2N5970	284	2N6159	5693
2N4399	180	2N4953	123AP	2N5187	123A	2N5399	311	2N5686	29	2N5971	284	2N6160	5693
2N4400	123AP	2N4954	268A	2N5188	128	2N5400	288	2N5687	346	2N5972	284	2N6161	5695
2N4401	123AP	2N4957	395	2N5189	2347	2N5401	288	2N5689	337	2N5973	284	2N6162	5697
2N4402	123AP	2N4958	395	2N5190	184	2N5401(SOT-23)	2411	2N5690	338	2N5974	183	2N6163	5602A
2N4403	159	2N4959	395	2N5191	184	2N5417	397	2N5697	486	2N5975	183	2N6164	5602A
2N4404	129	2N4960	128	2N5192	184	2N5415S	397	2N5698	362	2N5976	183	2N6165	5602A
2N4405	129	2N4961	128	2N5193	185	2N5410	397	2N5699	311	2N5977	183	2N6167	5562
2N4406	129	2N4962	128	2N5194	185	2N5411	397	2N5700	357	2N5978	183	2N6168	5562
2N4407	129	2N4971	159	2N5195	547	2N5418	289A	2N5712	359	2N5979	183	2N6169	5564
2N4409	194	2N4964	159	2N5196	461	2N5419	289A	2N5713	359	2N5980	183	2N6170	5566
2N4410	194	2N4965	159	2N5197	461	2N5420	289A	2N5718	457	2N5981	183	2N6171	5562
2N4411	159	2N4966	123A	2N5198	461	2N5421	346	2N5719	2347	2N5982	183	2N6172	5562
2N4412	129	2N4967	199	2N5199	461	2N5427	377	2N5731	72	2N5983	183	2N6173	5564
2N4412A	129	2N4968	123A	2N5200	278	2N5428	377	2N5733	70	2N5984	183	2N6174	5562
2N4413	159	2N4969	123A	2N5201	278	2N5429	377	2N5738	281	2N5985	183	2N6175	228A
2N4413A	159	2N4970	123A	2N5202	284	2N5430	377	2N5745	30	2N5986	183	2N6176	228A
2N4414	129	2N4971	159	2N5204	547	2N5441	569	2N5751	564	2N5989	357	2N6177	228A
2N4414A	129	2N4972	159	2N5205	5569	2N5442	569	2N5755	564	2N5994	350	2N6195	357
2N4415	159	2N4982	159	2N5205M	5569	2N5443	5690	2N5756	564	2N5996	350	2N6199	359
2N4415A	159	2N4983	6404	2N5206	5580	2N5444	5693	2N5757	564	2N5998	289A	2N6200	361
2N4416	452	2N4984	6404	2N5207	5591	2N5445	5695	2N5758	385	2N5999	290A	2N6201	361
2N4416A	452	2N4990	6404	2N5207	5591	2N5446	5697	2N5759	385	2N6000	123AP	2N6212	386
2N4417	452	2N4991	6403	2N5207M	5591	2N5447	5697	2N5760	385	2N6002	123AP	2N6213	386
2N4418	123AP	2N4993	6403	2N5208	395	2N5448	5697	2N5769	123AP	2N6005	159	2N6215	70
2N4419	123AP	2N4994	6403	2N5209	123AP	2N5449	123A	2N5770	108	2N6006	123AP	2N6222	159
2N4420	123AP	2N4995	123AP	2N5210	123AP	2N5450	120	2N5771	117	2N6008	284	2N6222	159
2N4421	123AP	2N4996	108	2N5211	128	2N5451	128	2N5772	123AP	2N6010(EBC)	293	2N6226	285
2N4422	123AP	2N4997	70	2N5212	128	2N5452	461	2N5777	300A♦	2N6012(EBC)	293	2N6227	285
2N4423	123AP	2N5000	72	2N5213	123AP	2N5453	461	2N5778	303A	2N6014(EBC)	293	2N6228	285
2N4425	194	2N5001	72	2N5214	123AP	2N5454	461	2N5779	303A♦	2N6016(EBC)	293	2N6229	285
2N4427	346	2N5022	129	2N5221	290A	2N5455	129	2N5780	303A♦	2N6021	153	2N6230	285
2N4432	123A	2N5023	129	2N5222	229	2N5457	457	2N5784	2347	2N6022	292	2N6231	285
2N4432A	123A	2N5024	316	2N5223	123AP	2N5458	457	2N5785	2347	2N6023	292	2N6233	384
2N4433	161	2N5030	85♦	2N5224	123AP	2N5459	459	2N5786	2347	2N6024	292	2N6234	384
2N4434	161	2N5031	161	2N5225	123AP	2N5460	326	2N5787	5400	2N6025	292	2N6235	384
2N4435	161	2N5032	161	2N5226	159	2N5461	326	2N5788	5401	2N6026	292	2N6236	5411
2N4436	123A	2N5033	268	2N5227	159	2N5462	326	2N5789	5402	2N6027	6402	2N6237	284
2N4437	123A	2N5034	268	2N5228	106	2N5463	326	2N5790	5404	2N6028	6402	2N6238	5413
2N4441	5442	2N5035	390	2N5232	199	2N5464	326	2N5793	81	2N6029	61	2N6239	5414
2N4442	5444	2N5038	390	2N5232A	199	2N5466	283	2N5794	81	2N6030	61	2N6240	5415
2N4443	5446	2N5037	390	2N5233	297	2N5467	283	2N5794G	81	2N6031	61	2N6241	5416
2N4444	5448	2N5038A	797	2N5234	297	2N5477	74	2N5795	82	2N6034	254	2N6246	219
2N4449	311	2N5039-1	327	2N5235	297	2N5478	74	2N5796	82	2N6035	254	2N6247	219
2N4450	123A	2N5039	327	2N5236	311	2N5479	74	2N5796G	82	2N6036	254	2N6248	285
2N4451	106	2N5039-1	327	2N5239	94	2N5480	74	2N5804	283	2N6037	253	2N6249	53
2N4452	159	2N5040	129	2N5240	94	2N5481	94	2N5805	283	2N6038	253	2N6250	394
2N4453	159	2N5041	129	2N5241	283	2N5482	94	2N5806	5693	2N6039	253	2N6251	386
2N4625	123AP	2N5042	129	2N5242	129	2N5485-1	451	2N5807	5693	2N6040	282	2N6252	130
2N4851	6401B	2N5045	312	2N5243	129	2N5486	312	2N5808	5697	2N6041	262	2N6254	284
2N4852	6409B	2N5046	312	2N5245	312	2N5488	2347	2N5809	5697	2N6042	262	2N6257	181
2N4853	6409B	2N5047	461	2N5246	312	2N5488-1	2347	2N5810	123AP	2N6043	261	2N6259	388
2N4856	466	2N5048	735	2N5247	312	2N5490	196	2N5811	159	2N6044	261	2N6260	175
2N4856A	466	2N5049	735	2N5248	312	2N5491	196	2N5812	123AP	2N6045	261	2N6261	384
2N4857	466	2N5050	384	2N5249	199	2N5492	196	2N5814	123A	2N6046	242	2N6262	204
2N4857A	466	2N5051	384	2N5249A	199	2N5493	196	2N5816	123AP	2N6048	242	2N6263	171
2N4858	466	2N5052	384	2N5254	385	2N5494	196	2N5817	159	2N6051	248	2N6264	175
2N4859	466	2N5053	316	2N5272	311	2N5495	196	2N5818	128	2N6052	248	2N6274	387
2N4859A	466	2N5054	316	2N5273	5683	2N5496	196	2N5820	123AP	2N6053	244	2N6275	387
2N4860	466	2N5058	154	2N5274	5685	2N5497	196	2N5820HS	192P	2N6054	244	2N6277	387
2N4860A	466	2N5059	154	2N5275	5697	2N5497	196	2N5821	129	2N6055	243	2N6278	70
2N4861	466	2N5060	5400	2N5277	312	2N5498	172A	2N5822	193	2N6056	243	2N6279	70
2N4861A	466	2N5061	5401	2N5281	397	2N5499	172A	2N5822	193	2N6057	247	2N6280	70
2N4867	312	2N5062	5402	2N5282	397	2N5502	70	2N5824	123AP	2N6058	247	2N6281	70
2N4867A	312	2N5063	5404	2N5283	397	2N5503	70	2N5825	123AP	2N6059	247	2N6282	281
2N4868	15	2N5064	5404	2N5289	726	2N5504	461	2N5826	123AP	2N6067	159	2N6283	281
2N4868A	312	2N5067	260	2N5291	397	2N5507	461	2N5827	123AP	2N6068	5001	2N6284	251
2N4869	459	2N5068	280	2N5292	311	2N5509	351	2N5827A	123AP	2N6069	5601	2N6285	250
2N4869A													

To Be Replaced	ECG Replacement	To Be Replaced	ECG Replacement	To Be Replaced	ECG Replacement	To Be Replaced	ECG Replacement	To Be Replaced	ECG Replacement	To Be Replaced	ECG Replacement	To Be Replaced	ECG Replacement
2N6346A	56004	2N6573	283	2P5MYC	5458	2FA733	290A	2S742	123	2SA83	126A	2SA175	126A
2N6347	56006	2N6574	386	2P5M1	5458	2P8240	116	2S743	116	2SA84	126A	2SA176	126A
2N6348	56008	2N6575	386	2P6MAY	5458	2PC17	123A	2S744	123A	2SA85	126A	2SA180	126A
2N6348A	56008	2N6576	249	2P6MBY	5458	2RC945	85	2S745	123A	2SA86	126A	2SA181	126A
2N6349	56010	2N6577	249	2P6M1Y	5458	2RC1569	474	2S746	123	2SA87	126A	2SA182	100
2N6349A	56010	2N6578	2349	2P6MYA	5458	2S001	123A	2S747	123A	2SA88	160	2SA183	126A
2N6350	56010	2N6579	385	2P6MYB	5458	2S002	123A	2S748	123	2SA89	126A	2SA187TV	102A
2N6351	328	2N6580	385	2P6MYC	5458	2S003	123A	2S749	123	2SA90	126A	2SA188	126A
2N6352	251	2N6581	1716	2P-10W1	15041	2S004	123A	2S750	123	2SA91	126A	2SA189	126A
2N6353	251	2N6582	1716	2P-11W1	15042	2S005	123A	2S751	123	2SA92	126A	2SA190	126A
2N6354	247	2N6583	1716	2P-12W1	15043	2S006	108	2S752	123	2SA93	126A	2SA191	126A
2N6355	254	2N6584	218	2P-13W1	15044	2S007	123	2S753	123	2SA94	126A	2SA192	126A
2N6356	284	2N6585	161	2P-14W1	15045	2S008	123	2S754	123	2SA95	126A	2SA193	126A
2N6357	130	2N6586	295	2P-15W1	15046	2S009	123	2S755	123	2SA96	126A	2SA194	126A
2N6358	384	2N6587	246	2P-23W1	15044	2S010	123	2S756	123	2SA97	126A	2SA195	126A
2N6359	384	2N6588	246	2P-50A231	15044	2S011	123	2S757	123	2SA98	126A	2SA196	126A
2N6360	384	2N6589	246	2P-50A301	15045	2S012	123	2S758	123	2SA99	126A	2SA197	126A
2N6361	384	2N6590	246	2P-50A501	15047	2S013	123	2S759	123	2SA100	126A	2SA198	126A
2N6362	384	2N6591	264	2P-50A900	15041	2S014	123	2S760	123	2SA101	126A	2SA199	126A
2N6363	185A	2N6592	264	2P-5150M	177	2S015	123	2S761	123	2SA102	126A	2SA200	126A
2N6364	245	2N6593	264	2FA733	290A	2S016	123	2S762	123	2SA103	126A	2SA201	126A
2N6365	245	2N6594	231	2FA733R	290A	2S017	123	2S763	123	2SA104	126A	2SA202	126A
2N6366	263	2N6595	231	2FA1015	290A	2S018	123	2S764	123	2SA105	126A	2SA203	126A
2N6367	203	2N6596	2319	2FA1015Y	290A	2S019	123	2S765	123	2SA106	126A	2SA204	126A
2N6368	263	2N6597	2319	2PB197	102A	2S020	123	2S766	123	2SA107	126A	2SA205	126A
2N6369	310	2N6598	2319	2PC945	289A	2S021	123	2S767	123	2SA108	126A	2SA206	126A
2N6370	5550	2N6599	2319	2PC945O	289A	2S022	123	2S768	123	2SA109	126A	2SA207	126A
2N6371	5550	2N6600	2319	2PC945R	289A	2S023	123	2S769	123	2SA110	126A	2SA208	126A
2N6372	5550	2N6601	2319	2PC181	289A	2S024	123	2S770	123	2SA111	126A	2SA209	126A
2N6373	5550	2N6602	2319	2PC1815V	289A	2S025	123	2S771	123	2SA112	126A	2SA210	126A
2N6374	5550	2N6603	2319	2QT222	2321	2S026	123	2S772	123	2SA113	126A	2SA211	126A
2N6375	5550	2N6604	2319	2QT2900	2322	2S027	123	2S773	123	2SA114	126A	2SA212	126A
2N6376	5550	2N6605	2319	2R91	5124A	2S028	123	2S774	123	2SA115	126A	2SA213	126A
2N6377	5550	2N6606	2319	2R91A	5124A	2S029	123	2S775	123	2SA116	126A	2SA214	126A
2N6378	5550	2N6607	2319	2R91B	5124A	2S030	123	2S776	123	2SA117	126A	2SA215	126A
2N6379	5550	2N6608	2319	2R10	5125A	2S031	123	2S777	123	2SA118	126A	2SA216	126A
2N6380	5550	2N6609	2319	2R10A	5125A	2S032	123	2S778	123	2SA119	126A	2SA217	126A
2N6381	5550	2N6610	2319	2R10B	5125A	2S033	123	2S779	123	2SA120	126A	2SA218	126A
2N6382	5550	2N6611	2319	2R11	5126A	2S034	123	2S780	123	2SA121	126A	2SA219	126A
2N6383	5550	2N6612	2319	2R11A	5126A	2S035	123	2S781	123	2SA122	126A	2SA220	126A
2N6384	5550	2N6613	2319	2R11B	5126A	2S036	123	2S782	123	2SA123	126A	2SA221	126A
2N6385	5550	2N6614	2319	2R12	5127A	2S037	123	2S783	123	2SA124	126A	2SA222	126A
2N6386	5550	2N6615	2319	2R12A	5127A	2S038	123	2S784	123	2SA125	126A	2SA223	126A
2N6387	5550	2N6616	2319	2R12B	5127A	2S039	123	2S785	123	2SA126	126A	2SA224	126A
2N6388	5550	2N6617	2319	2R13	5128A	2S040	123	2S786	123	2SA127	126A	2SA225	126A
2N6389	5550	2N6618	2319	2R13A	5128A	2S041	123	2S787	123	2SA128	126A	2SA226	126A
2N6390	5550	2N6619	2319	2R13B	5128A	2S042	123	2S788	123	2SA129	126A	2SA227	126A
2N6391	5550	2N6620	2319	2R14	5130A	2S043	123	2S789	123	2SA130	126A	2SA228	126A
2N6392	5550	2N6621	2319	2R15A	5130A	2S044	123	2S790	123	2SA131	126A	2SA229	126A
2N6393	5550	2N6622	2319	2R15B	5130A	2S045	123	2S791	123	2SA132	126A	2SA230	126A
2N6394	5550	2N6623	2319	2R16	5131A	2S046	123	2S792	123	2SA133	126A	2SA231	126A
2N6395	5550	2N6624	2319	2R16A	5131A	2S047	123	2S793	123	2SA134	126A	2SA232	126A
2N6396	5550	2N6625	2319	2R16B	5131A	2S048	123	2S794	123	2SA135	126A	2SA233	126A
2N6397	5550	2N6626	2319	2R16C	5131A	2S049	123	2S795	123	2SA136	126A	2SA234	126A
2N6398	5550	2N6627	2319	2R18	5133A	2S050	123	2S796	123	2SA137	126A	2SA235	126A
2N6399	5550	2N6628	2319	2R18A	5133A	2S051	123	2S797	123	2SA138	126A	2SA236	126A
2N6400	5550	2N6629	2319	2R18B	5133A	2S052	123	2S798	123	2SA139	126A	2SA237	126A
2N6401	5550	2N6630	2319	2R20	5135A	2S053	123	2S799	123	2SA140	126A	2SA238	126A
2N6402	5550	2N6631	2319	2R20A	5135A	2S054	123	2S800	123	2SA141	126A	2SA239	126A
2N6403	5550	2N6632	2319	2R20B	5135A	2S055	123	2S801	123	2SA142	126A	2SA240	126A
2N6404	5550	2N6633	2319	2R22	5136A	2S056	123	2S802	123	2SA143	126A	2SA241	126A
2N6405	5550	2N6634	2319	2R22A	5136A	2S057	123	2S803	123	2SA144	126A	2SA242	126A
2N6406	5550	2N6635	2319	2R22B	5136A	2S058	123	2S804	123	2SA145	126A	2SA243	126A
2N6407	5550	2N6636	2319	2R24	5137A	2S059	123	2S805	123	2SA146	126A	2SA244	126A
2N6408	5550	2N6637	2319	2R24A	5137A	2S060	123	2S806	123	2SA147	126A	2SA245	126A
2N6409	5550	2N6638	2319	2R24B	5137A	2S061	123	2S807	123	2SA148	126A	2SA246	126A
2N6410	5550	2N6639	2319	2R27	5139A	2S062	123	2S808	123	2SA149	126A	2SA247	126A
2N6411	5550	2N6640	2319	2R27A	5139A	2S063	123	2S809	123	2SA150	126A	2SA248	126A
2N6412	5550	2N6641	2319	2R27B	5139A	2S064	123	2S810	123	2SA151	126A	2SA249	126A
2N6413	5550	2N6642	2319	2R30	5141A	2S065	123	2S811	123	2SA152	126A	2SA250	126A
2N6414	5550	2N6643	2319	2R30A	5141A	2S066	123	2S812	123	2SA153	126A	2SA251	126A
2N6415	5550	2N6644	2319	2R30B	5141A	2S067	123	2S813	123	2SA154	126A	2SA252	126A
2N6416	5550	2N6645	2319	2R33	5142A	2S068	123	2S814	123	2SA155	126A	2SA253	126A
2N6417	5550	2N6646	2319	2R33A	5142A	2S069	123	2S815	123	2SA156	126A	2SA254	126A
2N6418	5550	2N6647	2319	2R33B	5142A	2S070	123	2S816	123	2SA157	126A	2SA255	126A
2N6419	5550	2N6648	2319	2R36	5143A	2S071	123	2S817	123	2SA158	126A	2SA256	126A
2N6420	5550	2N6649	2319	2R36B	5143A	2S072	123	2S818	123	2SA159	126A	2SA257	126A
2N6421	5550	2N6650	2319	2R39	5144A	2S073	123	2S819	123	2SA160	126A	2SA258	126A
2N6422	5550	2N6651	2319	2									

To Be Replaced	ECG Replacement	To Be Replaced	ECG Replacement	To Be Replaced	ECG Replacement	To Be Replaced	ECG Replacement	To Be Replaced	ECG Replacement	To Be Replaced	ECG Replacement	To Be Replaced	ECG Replacement
2SA292	126A	2SA409	126A	2SA495GR	290A	2SA546AK	129	2SA564QR	290A	2SA608NPE(CEB)	159	2SA642-O	290A
2SA293	126A	2SA412	126A	2SA495C-Y	290A	2SA548AL	129	2SA684QR	290A	2SA608NPF(CEB)	159	2SA642R	290A
2SA294	126A	2SA413	126A	2SA495H	290A	2SA549B	129	2SA684R	290A	2SA609NP-T	290A	2SA642V	290A
2SA295	126A	2SA414	126A	2SA495I	290A	2SA549C	129	2SA684RS	290A	2SA609NPE	159	2SA642W	290A
2SA296	126A	2SA415	126A	2SA495O	290A	2SA549E	129	2SA684S	290A	2SA609NPF(CEB)	159	2SA642Y	290A
2SA297	126A	2SA416	126A	2SA495Q	290A	2SA549F	129	2SA684T	290A	2SA609NPF(CEB)	159	2SA643	193A
2SA298	160	2SA417	102+	2SA495R	290A	2SA549H	129	2SA684TAQR	290A	2SA609NPF(CEB)	159	2SA643A	193A
2SA301	126A	2SA419	160	2SA495TM-O	290A	2SA549I	129	2SA684Y	290A	2SA609NPF(CEB)	159	2SA643B	193A
2SA302	102A	2SA420	100	2SA495TM-O	290A	2SA549J	129	2SA684Z	159	2SA609NPF(CEB)	159	2SA643C	193A
2SA303	102A	2SA421	160	2SA495V	290A	2SA549K	129	2SA684AA	129/427	2SA609NPF(CEB)	159	2SA643D	193A
2SA304	100	2SA422	160	2SA495X	290A	2SA549L	129	2SA684AB	129/427	2SA609NPF(CEB)	159	2SA643E	193A
2SA305	100	2SA423	160	2SA495Y	290A	2SA549M	129	2SA684AC	129/427	2SA609NPF(CEB)	159	2SA643F	193A
2SA306	160	2SA424	160	2SA495Z	290A	2SA549N	129	2SA684AD	129/427	2SA609NPF(CEB)	159	2SA643G	193A
2SA307	160	2SA425	160	2SA496-0	374	2SA549O	129	2SA684AE	129/427	2SA609NPF(CEB)	159	2SA643H	193A
2SA308	126A	2SA426	160	2SA496-1	374	2SA549P	129	2SA684AF	129/427	2SA609NPF(CEB)	159	2SA643I	193A
2SA309	126A	2SA427	160	2SA496-2	374	2SA549Q	129	2SA684AG	129/427	2SA609NPF(CEB)	159	2SA643J	193A
2SA310	126A	2SA428(CEB)	288	2SA496-3	374	2SA549R	129	2SA684AH	129/427	2SA609NPF(CEB)	159	2SA643K	193A
2SA311	102A	2SA429(CEB)	288	2SA496-4	374	2SA549S	129	2SA684AI	129/427	2SA609NPF(CEB)	159	2SA643L	193A
2SA312	102A	2SA430	160	2SA496-5	374	2SA549T	129	2SA684AJ	129/427	2SA609NPF(CEB)	159	2SA643M	193A
2SA313	126A	2SA431	160	2SA496-6	374	2SA549U	129	2SA684AK	129/427	2SA609NPF(CEB)	159	2SA643N	193A
2SA314	126A	2SA432	160	2SA496-7	374	2SA549V	129	2SA684AL	129/427	2SA609NPF(CEB)	159	2SA643O	193A
2SA315	126A	2SA433	160	2SA496-8	374	2SA549W	129	2SA684AM	129/427	2SA609NPF(CEB)	159	2SA643P	193A
2SA316	126A	2SA434	160	2SA496-9	374	2SA549X	129	2SA684AN	129/427	2SA609NPF(CEB)	159	2SA643Q	193A
2SA317	126A	2SA435	160	2SA496-10	374	2SA549Y	129	2SA684AO	129/427	2SA609NPF(CEB)	159	2SA643R	193A
2SA318	126A	2SA436	160	2SA500	106+	2SA549Z	129	2SA684AP	129/427	2SA609NPF(CEB)	159	2SA643S	193A
2SA319	126A	2SA437	160	2SA500-1	106+	2SA549A	129	2SA684AQ	129/427	2SA609NPF(CEB)	159	2SA643T	193A
2SA320	126A	2SA438	160	2SA500-2	106+	2SA549B	159	2SA684AR	129/427	2SA609NPF(CEB)	159	2SA643U	193A
2SA321	102A	2SA439	160	2SA500-3	106+	2SA549C	159	2SA684AS	129/427	2SA609NPF(CEB)	159	2SA643V	193A
2SA322	102A	2SA440	160	2SA500-4	106+	2SA549D	159	2SA684AT	129/427	2SA609NPF(CEB)	159	2SA643W	193A
2SA323	160	2SA441	160	2SA500-5	106+	2SA549E	159	2SA684AU	129/427	2SA609NPF(CEB)	159	2SA643X	193A
2SA324	126A	2SA442	160	2SA500-6	106+	2SA549F	159	2SA684AV	129/427	2SA609NPF(CEB)	159	2SA643Y	193A
2SA325	126A	2SA443	160	2SA500-7	106+	2SA549G	159	2SA684AW	129/427	2SA609NPF(CEB)	159	2SA643Z	193A
2SA326	126A	2SA444	160	2SA500-8	106+	2SA549H	159	2SA684AX	129/427	2SA609NPF(CEB)	159	2SA643AA	193A
2SA327	126A	2SA445	160	2SA500-9	106+	2SA549I	159	2SA684AY	129/427	2SA609NPF(CEB)	159	2SA643AB	193A
2SA328	126A	2SA446	160	2SA500-10	106+	2SA549J	159	2SA684AZ	129/427	2SA609NPF(CEB)	159	2SA643AC	193A
2SA329	126A	2SA447	160	2SA500-11	106+	2SA549K	159	2SA684BA	129/427	2SA609NPF(CEB)	159	2SA643AD	193A
2SA330	126A	2SA448	102+	2SA500-12	106+	2SA549L	159	2SA684BB	129/427	2SA609NPF(CEB)	159	2SA643AE	193A
2SA331	126A	2SA449	126A	2SA500-13	106+	2SA549M	159	2SA684BC	129/427	2SA609NPF(CEB)	159	2SA643AF	193A
2SA332	160	2SA450	160	2SA500-14	106+	2SA549N	159	2SA684BD	129/427	2SA609NPF(CEB)	159	2SA643AG	193A
2SA333	160	2SA451	160	2SA500-15	106+	2SA549O	159	2SA684BE	129/427	2SA609NPF(CEB)	159	2SA643AH	193A
2SA334	126A	2SA452	160	2SA500-16	106+	2SA549P	159	2SA684BF	129/427	2SA609NPF(CEB)	159	2SA643AI	193A
2SA335	126A	2SA453	160	2SA500-17	106+	2SA549Q	159	2SA684BG	129/427	2SA609NPF(CEB)	159	2SA643AJ	193A
2SA336	126A	2SA454	160	2SA500-18	106+	2SA549R	159	2SA684BH	129/427	2SA609NPF(CEB)	159	2SA643AK	193A
2SA337	126A	2SA455	160	2SA500-19	106+	2SA549S	159	2SA684BI	129/427	2SA609NPF(CEB)	159	2SA643AL	193A
2SA338	126A	2SA456	160	2SA500-20	106+	2SA549T	159	2SA684BJ	129/427	2SA609NPF(CEB)	159	2SA643AM	193A
2SA339	126A	2SA457	160	2SA500-21	106+	2SA549U	159	2SA684BK	129/427	2SA609NPF(CEB)	159	2SA643AN	193A
2SA340	160	2SA458	160	2SA500-22	106+	2SA549V	159	2SA684BL	129/427	2SA609NPF(CEB)	159	2SA643AO	193A
2SA341	160	2SA459	160	2SA500-23	106+	2SA549W	159	2SA684BM	129/427	2SA609NPF(CEB)	159	2SA643AP	193A
2SA341-0A	160	2SA460	160	2SA500-24	106+	2SA549X	159	2SA684BN	129/427	2SA609NPF(CEB)	159	2SA643AQ	193A
2SA341-0B	160	2SA461	160	2SA500-25	106+	2SA549Y	159	2SA684BO	129/427	2SA609NPF(CEB)	159	2SA643AR	193A
2SA342	160	2SA462	160	2SA500-26	106+	2SA549Z	159	2SA684BP	129/427	2SA609NPF(CEB)	159	2SA643AS	193A
2SA342A	160	2SA463	160	2SA500-27	106+	2SA549A	159	2SA684BQ	129/427	2SA609NPF(CEB)	159	2SA643AT	193A
2SA343	160	2SA464	160	2SA500-28	106+	2SA549B	159	2SA684BR	129/427	2SA609NPF(CEB)	159	2SA643AU	193A
2SA344	126A	2SA465	160	2SA500-29	106+	2SA549C	159	2SA684BS	129/427	2SA609NPF(CEB)	159	2SA643AV	193A
2SA345	160	2SA466	160	2SA500-30	106+	2SA549D	159	2SA684BT	129/427	2SA609NPF(CEB)	159	2SA643AW	193A
2SA346	160	2SA467	160	2SA500-31	106+	2SA549E	159	2SA684BU	129/427	2SA609NPF(CEB)	159	2SA643AX	193A
2SA347	160	2SA468	160	2SA500-32	106+	2SA549F	159	2SA684BV	129/427	2SA609NPF(CEB)	159	2SA643AY	193A
2SA348	160	2SA469	160	2SA500-33	106+	2SA549G	159	2SA684BW	129/427	2SA609NPF(CEB)	159	2SA643AZ	193A
2SA349	160	2SA470	160	2SA500-34	106+	2SA549H	159	2SA684BX	129/427	2SA609NPF(CEB)	159	2SA643BA	193A
2SA350	126A	2SA471	160	2SA500-35	106+	2SA549I	159	2SA684BY	129/427	2SA609NPF(CEB)	159	2SA643BB	193A
2SA350A	126A	2SA472	160	2SA500-36	106+	2SA549J	159	2SA684BZ	129/427	2SA609NPF(CEB)	159	2SA643BC	193A
2SA350B	126A	2SA473	160	2SA500-37	106+	2SA549K	159	2SA684CA	129/427	2SA609NPF(CEB)	159	2SA643BD	193A
2SA351	126A	2SA474	160	2SA500-38	106+	2SA549L	159	2SA684CB	129/427	2SA609NPF(CEB)	159	2SA643BE	193A
2SA351A	126A	2SA475	160	2SA500-39	106+	2SA549M	159	2SA684CC	129/427	2SA609NPF(CEB)	159	2SA643BF	193A
2SA351B	126A	2SA476	160	2SA500-40	106+	2SA549N	159	2SA684CD	129/427	2SA609NPF(CEB)	159	2SA643BG	193A
2SA351C	126A	2SA477	160	2SA500-41	106+	2SA549O	159	2SA684CE	129/427	2SA609NPF(CEB)	159	2SA643BH	193A
2SA351D	126A	2SA478	160	2SA500-42	106+	2SA549P	159	2SA684CF	129/427	2SA609NPF(CEB)	159	2SA643BI	193A
2SA351E	126A	2SA479	160	2SA500-43	106+	2SA549Q	159	2SA684CG	129/427	2SA609NPF(CEB)	159	2SA643BJ	193A
2SA351F	126A	2SA480	160	2SA500-44	106+	2SA549R	159	2SA684CH	129/427	2SA609NPF(CEB)	159	2SA643BK	193A
2SA351G	126A	2SA481	160	2SA500-45	106+	2SA549S	159	2SA684CI	129/427	2SA609NPF(CEB)	159	2SA643BL	193A
2SA351H	126A	2SA482	160	2SA500-46	106+	2SA549T	159	2SA684CJ	129/427	2SA609NPF(CEB)	159	2SA643BM	193A
2SA351I	126A	2SA483	160	2SA500-47	106+	2SA549U	159	2SA684CK	129/427	2SA609NPF(CEB)	159	2SA643BN	193A
2SA351J	126A	2SA484	160	2SA500-48	106+	2SA549V	159	2SA684CL	129/427	2SA609NPF(CEB)	159	2SA643BO	193A
2SA351K	126A	2SA485	160	2SA500-49	106+	2SA549W	159	2SA684CM	129/427	2SA609NPF(CEB)	159	2SA643BP	193A
2SA351L	126A												

To Be Replaced	ECG Replacement	To Be Replaced	ECG Replacement	To Be Replaced	ECG Replacement	To Be Replaced	ECG Replacement	To Be Replaced	ECG Replacement	To Be Replaced	ECG Replacement	To Be Replaced	ECG Replacement
2SA1015Y	290A	2SA1064	285	2SA1146-R	37	2SA1244	2525	2SA1312	2411	2SA1415R	2431	2SA1624(DI-AA)	288
2SA1015Y	290A	2SA1065	285	2SA1146-R	37	2SA1244	2525	2SA1312	2411	2SA1415R	2431	2SA1624(DI-AB)	288
2SA1015Y(SAN)	290A	2SA1066	285	2SA1147	26	2SA1245	2403	2SA1313	2407	2SA1418R	2431	2SA1624(DI-CC)	288
2SA1015Y-FA	290A	2SA1067	281	2SA1150	290A	2SA1245	2403	2SA1313	2407	2SA1420	2360	2SA1634	278
2SA1015V	290A	2SA1068	285	2SA1150-O	290A	2SA1246	290A	2SA1313Y	2407	2SA1421	2358	2SA1635	278#
2SA1015V-TYPE1	290A	2SA1069	285	2SA1150-Y	290A	2SA1246S	290A	2SA1316	91	2SA1423	2356	2SA1641	2523
2SA1016	234	2SA1070	285	2SA1151	290A	2SA1246T	290A	2SA1317	2362	2SA1426	21	2SA1647R	2623
2SA1016F	234	2SA1071	285	2SA1151R	290A	2SA1246U	290A	2SA1317S	2362	2SA1426O	21	2SA1647S	2623
2SA1016G	234	2SA1072	201	2SA1152(CEB)	153	2SA1247	2411	2SA1317T	2362	2SA1427	21	2SA1648	37#
2SA1016K	234	2SA1073	201	2SA1152(CEB)	153	2SA1247C25	2411	2SA1318R	294	2SA1430	21	2SA1657	2368
2SA1016KF	234	2SA1074	201	2SA1153	290A	2SA1248(Audio)	374	2SA1318S	294	2SA1431	12	2SA1658	35#
2SA1016KFG	234	2SA1075	201	2SA1153Y	290A	2SA1248S(Audio)	374	2SA1320(CEB)	288	2SA1441	55#	2SA1659	55#
2SA1017	234	2SA1076	201	2SA1160	25	2SA1248T(Audio)	374	2SA1321(CEB)	288	2SA1441	55#	2SA1666	2407
2SA1018	238	2SA1077	201	2SA1162	209	2SA1249(Audio)	374	2SA1321(TPE)CEB	288	2SA1441M	55#	2SA1667	2577
2SA1018(CEB)	288	2SA1078	201	2SA1162G	2409	2SA1249R(Audio)	374	2SA1327	378#	2SA1442	55#	2SA1670	37#
2SA1018(CEB)	288	2SA1079	201	2SA1162O	2409	2SA1249S(Audio)	374	2SA1331	2407	2SA1442L	55#	2SA1671	37#
2SA1018V(CEB)	288	2SA1080	201	2SA1162Y	2409	2SA1249T(Audio)	374	2SA1331-4	2407	2SA1442M	55#	2SA1672	2329
2SA1018V-Q(CEB)	288	2SA1081	201	2SA1163	2411	2SA1250	2409	2SA1331-5	2407	2SA1450R	283	2SA1673	378#
2SA1019	91	2SA1082	201	2SA1163G	2411	2SA1250D	2409	2SA1331-6	2407	2SA1450S	283	2SA1680	378#
2SA1020	2364	2SA1083	201	2SA1164(CEB)	217	2SA1250E	2409	2SA1333	93	2SA1450T	283	2SA1689	391#
2SA1020-O	25	2SA1084	159	2SA1166	348	2SA1250L	2409	2SA1337	2362	2SA1458	2362	2SA1694	37
2SA1020Y	25	2SA1085	159	2SA1169	59	2SA1252D7	2409	2SA1337C	2362	2SA1458K	2362	2SA1695	37
2SA1021	374	2SA1086	159	2SA1170	59	2SA1253	2362	2SA1339	2407	2SA1458L	2362	2SA1696	2575
2SA1021-O	374	2SA1087	159	2SA1171	2411	2SA1253S	2362	2SA1339AL4	2407	2SA1458M	2362	2SA1696C	2575
2SA1021-Y	374	2SA1088	159	2SA1174	234	2SA1253S	2362	2SA1339ALS	2407	2SA1458N	2362	2SA1696D	2575
2SA1022	2407	2SA1089	159	2SA1174E	234	2SA1254	2413	2SA1339S	2362	2SA1459	363	2SA1697	2575
2SA1022A	2407	2SA1090	159	2SA1174F	234	2SA1255	2409	2SA1339T	2362	2SA1465K	363	2SA1698	2575
2SA1022B	2407	2SA1090-O	159	2SA1174P	234	2SA1256	2409	2SA1341	2419	2SA1465L	363	2SA1699	39
2SA1022C	2407	2SA1090-Y	159	2SA1175	2362	2SA1256E3	2409	2SA1342	2419	2SA1465M	363	2SA1700	2531
2SA1022C	2407	2SA1091(CEB)	288	2SA1175(H)-Y	2362	2SA1256E4	2409	2SA1344	2415	2SA1465N	378#	2SA1700D	2531
2SA1023	290A	2SA1091(CEB)	288	2SA1175(J)-Y	2362	2SA1256E5	2409	2SA1344	2415	2SA1469Q	378#	2SA1700D	2531
2SA1023P	290A	2SA1091-C(CEC)	500	2SA1175C	2362	2SA1257G3	2411	2SA1345	2362	2SA1470	2502	2SA1725	55#
2SA1023Q	290A	2SA1091R(CEB)	288	2SA1175F	2362	2SA1257G4	2411	2SA1346	2362	2SA1470R	2502	2SA1730	2523
2SA1024	159	2SA1092	234	2SA1175FF	2362	2SA1257G5	2411	2SA1348	2362	2SA1471	2502	2SA1731H	2523
2SA1024	2407	2SA1092	234	2SA1175H	2362	2SA1257G5	2411	2SA1350	2362	2SA1471Q	2502	2SA1731S	2523
2SA1024	2407	2SA1092-GR	159	2SA1175H-FE	382	2SA1258	2546	2SA1350C	2362	2SA1471R	2502	2SA1732	2523
2SA1024A	2407	2SA1093	37	2SA1175H-FE	382	2SA1259	2546	2SA1352	2502	2SA1477	374#	2SA1732C	2523
2SA1024B	2407	2SA1094	348	2SA1175HO	2362	2SA1262(Audio)	242	2SA1352D	2502	2SA1477R	374#	2SA1732C	2523
2SA1024C	2407	2SA1094O	348	2SA1175J	2362	2SA1263	37	2SA1352E	2502	2SA1478	2502	2SA1732S	2523
2SA1024D	2407	2SA1094Y	348	2SA1175J-FE	2362	2SA1263R	37	2SA1353	2502	2SA1478C	2502	2SA1732S	2523
2SA1024E	2407	2SA1095	348	2SA1175K	234	2SA1264	290A	2SA1353D	2502	2SA1478D	2502	2SA1732S	2523
2SA1024F	2407	2SA1095O	348	2SA1175L	2362	2SA1264R	37	2SA1354	2502	2SA1478E	2502	2SA1732S	2523
2SA1024G	2407	2SA1096	348	2SA1175M	2362	2SA1264S	37	2SA1355	2502	2SA1478F	2502	2SA1732S	2523
2SA1024H	2407	2SA1096A	348	2SA1175N	2362	2SA1264T	37	2SA1356	2502	2SA1479	2502	2SA1732S	2523
2SA1024I	2407	2SA1096O	348	2SA1175P	2362	2SA1264U	37	2SA1356E	2502	2SA1479C	2502	2SA1732S	2523
2SA1024J	2407	2SA1097	348	2SA1175Q	2362	2SA1265	37	2SA1357	2514	2SA1479D	2502	2SA1732S	2523
2SA1024K	2407	2SA1098	348	2SA1175R	2362	2SA1265N	37	2SA1357-O	2514	2SA1479E	2502	2SA1732S	2523
2SA1024L	2407	2SA1099	348	2SA1175S	2362	2SA1265NFA-1	37	2SA1357-Y	2514	2SA1479F	2502	2SA1732S	2523
2SA1024M	2407	2SA1099A	348	2SA1175T	2362	2SA1265NFA-2	37	2SA1358	2514	2SA1480	2502	2SA1732S	2523
2SA1024N	2407	2SA1099B	348	2SA1175U	2362	2SA1265NFA-3	37	2SA1358A	2514	2SA1480C	2502	2SA1732S	2523
2SA1024O	2407	2SA1099C	348	2SA1175V	2362	2SA1265NFA-4	37	2SA1359	2514	2SA1480D	2502	2SA1732S	2523
2SA1024P	2407	2SA1099D	348	2SA1175W	2362	2SA1265NFA-5	37	2SA1360	2514	2SA1480E	2502	2SA1732S	2523
2SA1024Q	2407	2SA1099E	348	2SA1175X	2362	2SA1265NFA-6	37	2SA1361	2514	2SA1480F	2502	2SA1732S	2523
2SA1024R	2407	2SA1099F	348	2SA1175Y	2362	2SA1265NFA-7	37	2SA1362	2514	2SA1480G	2502	2SA1732S	2523
2SA1024S	2407	2SA1099G	348	2SA1175Z	2362	2SA1265NFA-8	37	2SA1363	2514	2SA1480H	2502	2SA1732S	2523
2SA1024T	2407	2SA1099H	348	2SA1176(H)-Y	2362	2SA1265NFA-9	37	2SA1364	2514	2SA1480I	2502	2SA1732S	2523
2SA1024U	2407	2SA1099I	348	2SA1176(J)-Y	2362	2SA1265NFA-10	37	2SA1365	2514	2SA1480J	2502	2SA1732S	2523
2SA1024V	2407	2SA1099J	348	2SA1176(K)-Y	2362	2SA1265NFA-11	37	2SA1366	2514	2SA1480K	2502	2SA1732S	2523
2SA1024W	2407	2SA1099K	348	2SA1176(L)-Y	2362	2SA1265NFA-12	37	2SA1367	2514	2SA1480L	2502	2SA1732S	2523
2SA1024X	2407	2SA1099L	348	2SA1176(M)-Y	2362	2SA1265NFA-13	37	2SA1368	2514	2SA1480M	2502	2SA1732S	2523
2SA1024Y	2407	2SA1099M	348	2SA1176(N)-Y	2362	2SA1265NFA-14	37	2SA1369	2514	2SA1480N	2502	2SA1732S	2523
2SA1024Z	2407	2SA1099N	348	2SA1176(O)-Y	2362	2SA1265NFA-15	37	2SA1370	2514	2SA1480O	2502	2SA1732S	2523
2SA1025	290A	2SA1099P	348	2SA1176(P)-Y	2362	2SA1265NFA-16	37	2SA1371	2514	2SA1480P	2502	2SA1732S	2523
2SA1025	290A	2SA1099Q	348	2SA1176(Q)-Y	2362	2SA1265NFA-17	37	2SA1372	2514	2SA1480Q	2502	2SA1732S	2523
2SA1025	290A	2SA1099R	348	2SA1176(R)-Y	2362	2SA1265NFA-18	37	2SA1373	2514	2SA1480R	2502	2SA1732S	2523
2SA1025	290A	2SA1099S	348	2SA1176(S)-Y	2362	2SA1265NFA-19	37	2SA1374	2514	2SA1480S	2502	2SA1732S	2523
2SA1025	290A	2SA1099T	348	2SA1176(T)-Y	2362	2SA1265NFA-20	37	2SA1375	2514	2SA1480T	2502	2SA1732S	2523
2SA1025	290A	2SA1099U	348	2SA1176(U)-Y	2362	2SA1265NFA-21	37	2SA1376	2514	2SA1480U	2502	2SA1732S	2523
2SA1025	290A	2SA1099V	348	2SA1176(V)-Y	2362	2SA1265NFA-22	37	2SA1377	2514	2SA1480V	2502	2SA1732S	2523
2SA1025	290A	2SA1099W	348	2SA1176(W)-Y	2362	2SA1265NFA-23	37	2SA1378	2514	2SA1480W	2502	2SA1732S	2523
2SA1025	290A	2SA1099X	348	2SA1176(X)-Y	2362	2SA1265NFA-24	37	2SA1379	2514	2SA1480X	2502	2SA1732S	2523
2SA1025	290A	2SA1099Y	348	2SA1176(Y)-Y	2362	2SA1265NFA-25	37	2SA1380	2514	2SA1480Y	2502	2SA1732S	2523
2SA1025	290A	2SA1099Z	348	2SA1176(Z)-Y	2362	2SA1265NFA-26	37	2SA1381	2514	2SA1480Z	2502	2SA1732S	2523
2SA1026	290A	2SA1100(CEB)	288										

To Be Replaced	ECG Replacement	To Be Replaced	ECG Replacement	To Be Replaced	ECG Replacement	To Be Replaced	ECG Replacement	To Be Replaced	ECG Replacement	To Be Replaced	ECG Replacement
2SB44Y	102A	2SB128A	127	2SB177O	102A	2SB253	127	2SB342	127	2SB415B	158
2SB45	102A	2SB128AA	127	2SB177F	102A	2SB253A	127	2SB343	127	2SB415MP	158
2SB45A	102A	2SB128AB	127	2SB177R	102A	2SB254	127	2SB345	102A	2SB416	100
2SB45B	102A	2SB128AC	127	2SB178	102A	2SB255	127	2SB346	102A	2SB417	100
2SB45C	102A	2SB128AD	127	2SB178A	102A	2SB256	127	2SB347	102A	2SB422	102
2SB45D	102A	2SB128AE	127	2SB178B	102A	2SB257	102A	2SB348	102A	2SB423	102
2SB45E	102A	2SB128AF	127	2SB178C	102A	2SB258	213	2SB349	102A	2SB424	102
2SB45F	158	2SB128AG	127	2SB178D	102A	2SB259	213	2SB348	102A	2SB425	121
2SB45G	102A	2SB128AH	127	2SB178E	102A	2SB260	213	2SB349	102A	2SB426Y	121
2SB45H	102A	2SB128B	127	2SB178F	102A	2SB261	102A	2SB348F	102A	2SB426	121
2SB45I	102A	2SB128C	127	2SB178G	102A	2SB262	102A	2SB349	102A	2SB426L	121
2SB45J	102A	2SB128D	127	2SB178H	102A	2SB263	102A	2SB350	102	2SB426R	121
2SB45K	102A	2SB128E	127	2SB178I	102A	2SB264	102A	2SB351	105	2SB426Y	121
2SB45L	102A	2SB128F	127	2SB178J	102A	2SB265	102A	2SB352	213	2SB427	102
2SB45M	102A	2SB128G	127	2SB178K	102A	2SB266	102A	2SB353	102A	2SB428	102
2SB45N	102A	2SB128H	127	2SB178L	102A	2SB267	102A	2SB354	102A	2SB429	102
2SB45O	102A	2SB128I	127	2SB178M	102A	2SB268	102A	2SB355	104	2SB430	102
2SB45P	102A	2SB128J	127	2SB178N	102A	2SB269	102A	2SB356	104	2SB431	158
2SB45Q	102A	2SB128K	127	2SB178O	102A	2SB270	102A	2SB357	127	2SB432	158
2SB45R	102A	2SB128L	127	2SB178P	102A	2SB271	102A	2SB358	127	2SB433	158
2SB45S	102A	2SB128M	127	2SB178Q	102A	2SB272	102A	2SB359	127	2SB434	158
2SB45T	102A	2SB128N	127	2SB178R	102A	2SB273	102A	2SB360	127	2SB434-O	158
2SB45U	102A	2SB128O	127	2SB178S	102A	2SB274	127	2SB361	102A	2SB434-R	158
2SB45V	102A	2SB128P	127	2SB178T	102A	2SB275	127	2SB362	102A	2SB434-V	158
2SB45W	102A	2SB128Q	127	2SB178U	102A	2SB276	127	2SB363	158	2SB435	158
2SB45X	102A	2SB128R	127	2SB178V	102A	2SB277	102A	2SB364	102A	2SB435-O	158
2SB45Y	102A	2SB128S	127	2SB178W	102A	2SB278	102A	2SB365	158	2SB435-O	158
2SB45Z	102A	2SB128T	127	2SB178X	102A	2SB279	102A	2SB366	158	2SB435-V	158
2SB46	102A	2SB128U	127	2SB178Y	102A	2SB280	102A	2SB367	127	2SB436	158
2SB47	102A	2SB128V	127	2SB178Z	102A	2SB281	102A	2SB368	158	2SB437	158
2SB48	102A	2SB128W	127	2SB179A	102A	2SB282	102A	2SB369	158	2SB438	158
2SB49	102A	2SB128X	127	2SB179B	102A	2SB283	102A	2SB370	102A	2SB439	158
2SB50	102A	2SB128Y	127	2SB179C	102A	2SB284	102A	2SB371	102A	2SB440	158
2SB51	102A	2SB128Z	127	2SB179D	102A	2SB285	102A	2SB372	102A	2SB441	158
2SB52	102A	2SB129A	127	2SB179E	102A	2SB286	102A	2SB373	102A	2SB442	158
2SB53	102A	2SB129B	127	2SB179F	102A	2SB287	102A	2SB374	102A	2SB443	158
2SB54	102A	2SB129C	127	2SB179G	102A	2SB288	102A	2SB375	102A	2SB444	158
2SB55	102A	2SB129D	127	2SB179H	102A	2SB289	102A	2SB376	102A	2SB445	158
2SB56	102A	2SB129E	127	2SB179I	102A	2SB290	102A	2SB377	102A	2SB446	158
2SB57	102A	2SB129F	127	2SB179J	102A	2SB291	102A	2SB378	102A	2SB447	158
2SB58	102A	2SB129G	127	2SB179K	102A	2SB292	102A	2SB379	102A	2SB448	158
2SB59	102A	2SB129H	127	2SB179L	102A	2SB293	102A	2SB380	102A	2SB449	158
2SB60	102A	2SB129I	127	2SB179M	102A	2SB294	102A	2SB381	102A	2SB450	158
2SB61	102A	2SB129J	127	2SB179N	102A	2SB295	102A	2SB382	102A	2SB451	158
2SB62	102A	2SB129K	127	2SB179O	102A	2SB296	102A	2SB383	102A	2SB452	158
2SB63	102A	2SB129L	127	2SB179P	102A	2SB297	102A	2SB384	102A	2SB453	158
2SB64	102A	2SB129M	127	2SB179Q	102A	2SB298	102A	2SB385	102A	2SB454	158
2SB65	102A	2SB129N	127	2SB179R	102A	2SB299	102A	2SB386	102A	2SB455	158
2SB66	102A	2SB129O	127	2SB179S	102A	2SB300	102A	2SB387	102A	2SB456	158
2SB67	102A	2SB129P	127	2SB179T	102A	2SB301	102A	2SB388	102A	2SB457	158
2SB68	102A	2SB129Q	127	2SB179U	102A	2SB302	102A	2SB389	102A	2SB458	158
2SB69	102A	2SB129R	127	2SB179V	102A	2SB303	102A	2SB390	102A	2SB459	158
2SB70	102A	2SB129S	127	2SB179W	102A	2SB304	102A	2SB391	102A	2SB460	158
2SB71	102A	2SB129T	127	2SB179X	102A	2SB305	102A	2SB392	102A	2SB461	158
2SB72	102A	2SB129U	127	2SB179Y	102A	2SB306	102A	2SB393	102A	2SB462	158
2SB73	102A	2SB129V	127	2SB179Z	102A	2SB307	102A	2SB394	102A	2SB463	158
2SB74	102A	2SB129W	127	2SB180A	102A	2SB308	102A	2SB395	102A	2SB464	158
2SB75	102A	2SB129X	127	2SB180B	102A	2SB309	102A	2SB396	102A	2SB465	158
2SB76	102A	2SB129Y	127	2SB180C	102A	2SB310	102A	2SB397	102A	2SB466	158
2SB77	102A	2SB129Z	127	2SB180D	102A	2SB311	102A	2SB398	102A	2SB467	158
2SB78	102A	2SB130A	121	2SB180E	102A	2SB312	102A	2SB399	102A	2SB468	158
2SB79	102A	2SB130B	121	2SB180F	102A	2SB313	102A	2SB400	102A	2SB469	158
2SB80	102A	2SB130C	121	2SB180G	102A	2SB314	102A	2SB401	102A	2SB470	158
2SB81	102A	2SB130D	121	2SB180H	102A	2SB315	102A	2SB402	102A	2SB471	158
2SB82	102A	2SB130E	121	2SB180I	102A	2SB316	102A	2SB403	100	2SB472	158
2SB83	102A	2SB130F	121	2SB180J	102A	2SB317	102A	2SB404	100	2SB473	158
2SB84	102A	2SB130G	121	2SB180K	102A	2SB318	102A	2SB405	100	2SB474	158
2SB85	102A	2SB130H	121	2SB180L	102A	2SB319	102A	2SB406	100	2SB475	158
2SB86	102A	2SB130I	121	2SB180M	102A	2SB320	102A	2SB407	100	2SB476	158
2SB87	102A	2SB130J	121	2SB180N	102A	2SB321	102A	2SB408	100	2SB477	158
2SB88	102A	2SB130K	121	2SB180O	102A	2SB322	102A	2SB409	100	2SB478	158
2SB89	102A	2SB130L	121	2SB180P	102A	2SB323	102A	2SB410	100	2SB479	158
2SB90	102A	2SB130M	121	2SB180Q	102A	2SB324	102A	2SB411	100	2SB480	158
2SB91	102A	2SB130N	121	2SB180R	102A	2SB325	102A	2SB412	100	2SB481	158
2SB92	102A	2SB130O	121	2SB180S	102A	2SB326	102A	2SB413	100	2SB482	158
2SB93	102A	2SB130P	121	2SB180T	102A	2SB327	102A	2SB414	100	2SB483	158
2SB94	102A	2SB130Q	121	2SB180U	102A	2SB328	102A	2SB415	100	2SB484	158
2SB95	102A	2SB130R	121	2SB180V	102A	2SB329	102A	2SB416	100	2SB485	158
2SB96	102A	2SB130S	121	2SB180W	102A	2SB330	102A	2SB417	100	2SB486	158
2SB97	102A	2SB130T	121	2SB180X	102A	2SB331	102A	2SB418	100	2SB487	158
2SB98	102A	2SB130U	121	2SB180Y	102A	2SB332	102A	2SB419	100	2SB488	158
2SB99	102A	2SB130V	121	2SB180Z	102A	2SB333	102A	2SB420	100	2SB489	158
2SB100	102	2SB130W	121	2SB181A	102A	2SB334	102A	2SB421	100	2SB490	158
2SB101	102	2SB130X	121	2SB181B	102A	2SB335	102A	2SB422	100	2SB491	158
2SB102	102	2SB130Y	121	2SB181C	102A	2SB336	102A	2SB423	100	2SB492	158
2SB103	102	2SB130Z	121	2SB181D	102A	2SB337	102A	2SB424	100	2SB493	158
2SB104	150	2SB131A	102A	2SB181E	102A	2SB338	102A	2SB425	100	2SB494	158
2SB105	150	2SB131B	102A	2SB181F	102A	2SB339	102A	2SB426	100	2SB495	158
2SB106	121	2SB131C	102A	2SB181G	102A	2SB340	102A	2SB427	100	2SB496	158
2SB107	121	2SB131D	102A	2SB181H	102A	2SB341	102A	2SB428	100	2SB497	158
2SB108	102A	2SB131E	102A	2SB181I	102A	2SB342	102A	2SB429	100	2SB498	158
2SB109	102A	2SB131F	102A	2SB181J	102A	2SB343	102A	2SB430	100	2SB499	158

To Be Replaced	ECG Replacement	To Be Replaced	ECG Replacement	To Be Replaced	ECG Replacement	To Be Replaced	ECG Replacement	To Be Replaced	ECG Replacement	To Be Replaced	ECG Replacement	To Be Replaced	ECG Replacement
2SB526C	292	2SB562D	294	2SB630KE	185	2SB680O	37	2SB727	234	2SB764F	333	2SB815	2407
2SB526D	292	2SB563	294	2SB632KF	185	2SB688R	37	2SB727K	234	2SB764F	333	2SB815B6	2407
2SB527	292	2SB563A	294	2SB632K	185	2SB689	292	2SB729	159	2SB765K	234	2SB816	2407
2SB527C	292	2SB564	294	2SB632K SA-E	185	2SB690	292	2SB729Q	159	2SB765K	234	2SB816D	2407
2SB527D	292	2SB564A	294	2SB633C	378	2SB690B	292	2SB729R	159	2SB766	2429	2SB816E	2407
2SB527E	292	2SB564A	294	2SB633D	378	2SB690C	292	2SB731	374	2SB766A	2429	2SB817	2407
2SB528	292	2SB564A	294	2SB633E	378	2SB691	37	2SB731L	374	2SB766A	2429	2SB817D	2407
2SB528C	292	2SB564M	294	2SB633F	378	2SB691P	37	2SB733	294	2SB766C	2429	2SB817E	2407
2SB528D	292	2SB564MA	294	2SB633PC	381	2SB691Q	37	2SB733K	294	2SB766C	2429	2SB818	2407
2SB529	153	2SB566	292	2SB633PD	381	2SB691R	37	2SB733L	294	2SB766C	2429	2SB819AUG	2407
2SB529A	153	2SB566M	292	2SB633PE	381	2SB692	37	2SB734	383	2SB766C	2429	2SB819AU	2407
2SB529B	153	2SB566A	292	2SB634	88	2SB692H	37	2SB734-4	383	2SB766C	2429	2SB819AUR	2407
2SB530	281	2SB566AB	292	2SB637	2362	2SB692P	37	2SB734-34	383	2SB767	2429	2SB819-P	2407
2SB531	281	2SB566AC	292	2SB637K	2362	2SB692Q	37	2SB734K	383	2SB767A	2429	2SB819-Q	2407
2SB531-O	281	2SB566AK	292	2SB637KC	2362	2SB692R	37	2SB734L	383	2SB767A	2429	2SB819-R	2407
2SB531-H	281	2SB566AKB	292	2SB637KU	2362	2SB693	292	2SB736	2407	2SB767A	2429	2SB819-T	2407
2SB531-Y	281	2SB566AKC	292	2SB638	248	2SB693H	252	2SB736A	2411	2SB767A	2429	2SB820	2407
2SB532	281	2SB566B	292	2SB638H	248	2SB693H	252	2SB736AB51	2411	2SB767A	2429	2SB820P	2407
2SB532D	281	2SB566B	292	2SB638H	248	2SB693H	252	2SB736AB52	2411	2SB767A	2429	2SB820R	2407
2SB532E	281	2SB566B	292	2SB638H	248	2SB693H	252	2SB736AB53	2411	2SB767A	2429	2SB821	2407
2SB532F	281	2SB566B	292	2SB638H	248	2SB693H	252	2SB736B	2407	2SB767A	2429	2SB821A	2407
2SB532G	281	2SB566B	292	2SB638H	248	2SB693H	252	2SB736B1	2407	2SB767A	2429	2SB821B	2407
2SB532H	281	2SB566B	292	2SB638H	248	2SB693H	252	2SB736B2	2407	2SB767A	2429	2SB821C	2407
2SB532I	281	2SB566B	292	2SB638H	248	2SB693H	252	2SB736B3	2407	2SB767A	2429	2SB821D	2407
2SB532J	281	2SB566B	292	2SB638H	248	2SB693H	252	2SB736B4	2407	2SB767A	2429	2SB821E	2407
2SB532K	281	2SB566B	292	2SB638H	248	2SB693H	252	2SB736B5	2407	2SB767A	2429	2SB821F	2407
2SB532L	281	2SB566B	292	2SB638H	248	2SB693H	252	2SB736B6	2407	2SB767A	2429	2SB821G	2407
2SB532M	281	2SB566B	292	2SB638H	248	2SB693H	252	2SB736B7	2407	2SB767A	2429	2SB821H	2407
2SB532N	281	2SB566B	292	2SB638H	248	2SB693H	252	2SB736B8	2407	2SB767A	2429	2SB821I	2407
2SB532O	281	2SB566B	292	2SB638H	248	2SB693H	252	2SB736B9	2407	2SB767A	2429	2SB821J	2407
2SB532P	281	2SB566B	292	2SB638H	248	2SB693H	252	2SB736B10	2407	2SB767A	2429	2SB821K	2407
2SB532Q	281	2SB566B	292	2SB638H	248	2SB693H	252	2SB736B11	2407	2SB767A	2429	2SB821L	2407
2SB532R	281	2SB566B	292	2SB638H	248	2SB693H	252	2SB736B12	2407	2SB767A	2429	2SB821M	2407
2SB532S	281	2SB566B	292	2SB638H	248	2SB693H	252	2SB736B13	2407	2SB767A	2429	2SB821N	2407
2SB532T	281	2SB566B	292	2SB638H	248	2SB693H	252	2SB736B14	2407	2SB767A	2429	2SB821O	2407
2SB532U	281	2SB566B	292	2SB638H	248	2SB693H	252	2SB736B15	2407	2SB767A	2429	2SB821P	2407
2SB532V	281	2SB566B	292	2SB638H	248	2SB693H	252	2SB736B16	2407	2SB767A	2429	2SB821Q	2407
2SB532W	281	2SB566B	292	2SB638H	248	2SB693H	252	2SB736B17	2407	2SB767A	2429	2SB821R	2407
2SB532X	281	2SB566B	292	2SB638H	248	2SB693H	252	2SB736B18	2407	2SB767A	2429	2SB821S	2407
2SB532Y	281	2SB566B	292	2SB638H	248	2SB693H	252	2SB736B19	2407	2SB767A	2429	2SB821T	2407
2SB532Z	281	2SB566B	292	2SB638H	248	2SB693H	252	2SB736B20	2407	2SB767A	2429	2SB821U	2407
2SB533	176	2SB566C	292	2SB638H	248	2SB693H	252	2SB736B21	2407	2SB767A	2429	2SB821V	2407
2SB533A	102A	2SB566C	292	2SB638H	248	2SB693H	252	2SB736B22	2407	2SB767A	2429	2SB821W	2407
2SB533B	102A	2SB566C	292	2SB638H	248	2SB693H	252	2SB736B23	2407	2SB767A	2429	2SB821X	2407
2SB533C	102A	2SB566C	292	2SB638H	248	2SB693H	252	2SB736B24	2407	2SB767A	2429	2SB821Y	2407
2SB533D	102A	2SB566C	292	2SB638H	248	2SB693H	252	2SB736B25	2407	2SB767A	2429	2SB821Z	2407
2SB533E	102A	2SB566C	292	2SB638H	248	2SB693H	252	2SB736B26	2407	2SB767A	2429	2SB822	2407
2SB533F	102A	2SB566C	292	2SB638H	248	2SB693H	252	2SB736B27	2407	2SB767A	2429	2SB822A	2407
2SB533G	102A	2SB566C	292	2SB638H	248	2SB693H	252	2SB736B28	2407	2SB767A	2429	2SB822B	2407
2SB533H	102A	2SB566C	292	2SB638H	248	2SB693H	252	2SB736B29	2407	2SB767A	2429	2SB822C	2407
2SB533I	102A	2SB566C	292	2SB638H	248	2SB693H	252	2SB736B30	2407	2SB767A	2429	2SB822D	2407
2SB533J	102A	2SB566C	292	2SB638H	248	2SB693H	252	2SB736B31	2407	2SB767A	2429	2SB822E	2407
2SB533K	102A	2SB566C	292	2SB638H	248	2SB693H	252	2SB736B32	2407	2SB767A	2429	2SB822F	2407
2SB533L	102A	2SB566C	292	2SB638H	248	2SB693H	252	2SB736B33	2407	2SB767A	2429	2SB822G	2407
2SB533M	102A	2SB566C	292	2SB638H	248	2SB693H	252	2SB736B34	2407	2SB767A	2429	2SB822H	2407
2SB533N	102A	2SB566C	292	2SB638H	248	2SB693H	252	2SB736B35	2407	2SB767A	2429	2SB822I	2407
2SB533O	102A	2SB566C	292	2SB638H	248	2SB693H	252	2SB736B36	2407	2SB767A	2429	2SB822J	2407
2SB533P	102A	2SB566C	292	2SB638H	248	2SB693H	252	2SB736B37	2407	2SB767A	2429	2SB822K	2407
2SB533Q	102A	2SB566C	292	2SB638H	248	2SB693H	252	2SB736B38	2407	2SB767A	2429	2SB822L	2407
2SB533R	102A	2SB566C	292	2SB638H	248	2SB693H	252	2SB736B39	2407	2SB767A	2429	2SB822M	2407
2SB533S	102A	2SB566C	292	2SB638H	248	2SB693H	252	2SB736B40	2407	2SB767A	2429	2SB822N	2407
2SB533T	102A	2SB566C	292	2SB638H	248	2SB693H	252	2SB736B41	2407	2SB767A	2429	2SB822O	2407
2SB533U	102A	2SB566C	292	2SB638H	248	2SB693H	252	2SB736B42	2407	2SB767A	2429	2SB822P	2407
2SB533V	102A	2SB566C	292	2SB638H	248	2SB693H	252	2SB736B43	2407	2SB767A	2429	2SB822Q	2407
2SB533W	102A	2SB566C	292	2SB638H	248	2SB693H	252	2SB736B44	2407	2SB767A	2429	2SB822R	2407
2SB533X	102A	2SB566C	292	2SB638H	248	2SB693H	252	2SB736B45	2407	2SB767A	2429	2SB822S	2407
2SB533Y	102A	2SB566C	292	2SB638H	248	2SB693H	252	2SB736B46	2407	2SB767A	2429	2SB822T	2407
2SB533Z	102A	2SB566C	292	2SB638H	248	2SB693H	252	2SB736B47	2407	2SB767A	2429	2SB822U	2407
2SB534	102A	2SB566C	292	2SB638H	248	2SB693H	252	2SB736B48	2407	2SB767A	2429	2SB822V	2407
2SB534A	102A	2SB566C	292	2SB638H	248	2SB693H	252	2SB736B49	2407	2SB767A	2429	2SB822W	2407
2SB534B	102A	2SB566C	292	2SB638H	248	2SB693H	252	2SB736B50	2407	2SB767A	2429	2SB822X	2407
2SB534C	102A	2SB566C	292	2SB638H	248	2SB693H	252	2SB736B51	2407	2SB767A	2429	2SB822Y	2407
2SB534D	102A	2SB566C	292	2SB638H	248	2SB693H	252	2SB736B52	2407	2SB767A	2429	2SB822Z	2407
2SB534E	102A	2SB566C	292	2SB638H	248	2SB693H	252	2SB736B53	2407	2SB767A	2429	2SB823	2407
2SB534F	102A	2SB566C	292	2SB638H	248	2SB693H	252	2SB736B54	2407	2SB767A	2429	2SB823A	2407
2SB534G	102A	2SB566C	292	2SB638H	248	2SB693H	252	2SB736B55	2407	2SB767A	2429	2SB823B	2407
2SB534H	102A	2SB566C	292	2SB638H	248	2SB693H	252	2					

To Be Replaced	ECG Replacement	To Be Replaced	ECG Replacement	To Be Replaced	ECG Replacement	To Be Replaced	ECG Replacement	To Be Replaced	ECG Replacement	To Be Replaced	ECG Replacement
2SB887T	2C64	2SB847	378#	2SB1016	332#	2SB1122F	2420#	2SB1232P	2537	2SB1429	2329
2SB888	12	2SB947-A	378#	2SB1016-U	55#	2SB1127	2512	2SB1233	2531	2SB1454	2571
2SB889E	12	2SB947-AP	378#	2SB1016-R	332#	2SB1127F	2512	2SB1233A	2531	2SB1454Q	2571
2SB890	12	2SB947-AQ	378#	2SB1016-V	55#	2SB1133	378#	2SB1233AQ	2531	2SB1454R	2571
2SB891G	17	2SB947-AR	378#	2SB1017	292#	2SB1133Q	378#	2SB1233Q	2531	2SB1455	2571
2SB892	17	2SB947-P	378#	2SB1017-O	292#	2SB1134	378#	2SB1234	2531	2SB1455Q	2571
2SB893A	17	2SB947-Q	378#	2SB1017-Y	292#	2SB1134Q	153#	2SB1235	2531	2SB1455R	2571
2SB894-Q	17	2SB947-R	378#	2SB1018	55#	2SB1134R	153#	2SB1240	21	2SB1467	2563
2SB894-R	17	2SB948	378#	2SB1018-O	55#	2SB1134R-SA	153#	2SB1244	2366	2SB1467Q	2563
2SB894-S	17	2SB948-A	378#	2SB1018-U	55#	2SB1139	378#	2SB1244B	2366	2SB1467R	2563
2SB894-T	17	2SB948-AP	378#	2SB1019	378#	2SB1139Q	378#	2SB1245	2366	2SB1468	2563
2SB896	378#	2SB948-AQ	378#	2SB1019-O	378#	2SB1139R	378#	2SB1257	262#	2SB1468Q	2563
2SB896-A	378#	2SB948-AR	378#	2SB1020	264#	2SB1139S	2567	2SB1258	2344#	2SB1468R	2563
2SB896-AC	378#	2SB948-AS	378#	2SB1021	264#	2SB1143	2518	2SB1259	2344#	2SB1469	2563
2SB896-AR	378#	2SB948-C	378#	2SB1022	262#	2SB1143Q	2518	2SB1267	2565	2SB1472	2565
2SB896-Q	378#	2SB948-R	378#	2SB1024	254#	2SB1144	2512	2SB1267Q	2565	2SB1476	2542
2SB896-R	378#	2SB949	262#	2SB1030	2362	2SB1140R	2512	2SB1267R	2565	2SB1481	252#
2SB897	271#	2SB949-A	262#	2SB1030A	2362	2SB1141	374#	2SB1273	2569	2SB1495	256#
2SB897-2	2409	2SB949-AP	262#	2SB1030AR	2362	2SB1141Q	374#	2SB1273Q	2569	2SB1496	378#
2SB897Q	2409	2SB949-AQ	262#	2SB1030AS	2362	2SB1141R	374#	2SB1273R	2569	2SB1512	262#
2SB897T	2409	2SB949-AR	262#	2SB1030P	2362	2SB1142	2518	2SB1274	153#	2SB1514	262#
2SB897S	2409	2SB949-R	262#	2SB1030S	2362	2SB1142R	2518	2SB1274Q	153#	2SB1514Q	262#
2SB898	2529	2SB949S	262#	2SB1031	254#	2SB1143	2518	2SB1274Q-RA	153#	2SB1515	254#
2SB898-Q	393#	2SB950	262#	2SB1032K	2542	2SB1143S	2518	2SB1274Q-R	153#	2SB1515Q	254#
2SB898-R	393#	2SB950-A	262#	2SB1037	398	2SB1143S	2518	2SB1274R	153#	2SB1586	2560
2SB898S	2529	2SB950-AQ	262#	2SB1037O	398	2SB1143S	2518	2SB1274R-RA	153#	2SB1586Q	2560
2SB898T	2529	2SB950-AP	262#	2SB1037-Q	398	2SB1144	374#	2SB1277	21	2SB1586R	2560
2SB898U	2529	2SB950-AR	262#	2SB1037-R	398	2SB1144H	374#	2SB1277R	21	2SB1586S	2560
2SB898V	2529	2SB950-AS	262#	2SB1037S	398	2SB1144S	374#	2SB1282	262#	2SB1587	2560
2SB898W	2529	2SB950-P	262#	2SB1038	292#	2SB1145	2344#	2SB1283	262#	2SB1588	2560
2SB898X	2529	2SB950-R	262#	2SB1038A	292#	2SB1145	2344#	2SB1283Q	262#	2SB1589	2560
2SB898Y	2529	2SB950-S	262#	2SB1038L	292#	2SB1145S	2344#	2SB1284	262#	2SB1590	2560
2SB898Z	2529	2SB950-T	262#	2SB1038L	292#	2SB1147	2344#	2SB1285	262#	2SB1591	2560
2SB899	2352	2SB951	262#	2SB1038M	292#	2SB1154(Audio)	230#	2SB1287	262#	2SB1592	2560
2SB899A	21	2SB951-A	262#	2SB1039	292#	2SB1154R(Audio)	230#	2SB1287Q	262#	2SB1593	2560
2SB899B	21	2SB951-AP	262#	2SB1043	383	2SB1154S(Audio)	230#	2SB1288	262#	2SB1594	2560
2SB899C	21	2SB951-AQ	262#	2SB1050	12#	2SB1162	2329	2SB1291	378#	2SB1595	2560
2SB899D	21	2SB951-AR	262#	2SB1050Q	12#	2SB1162-Q	2329	2SB1291Q	378#	2SB1596	2560
2SB899E	21	2SB951-AS	262#	2SB1050R	12#	2SB1162-S	2329	2SB1300	12	2SB1597	2560
2SB899F	21	2SB951-P	262#	2SB1052	378#	2SB1163	2329	2SB1300K	12	2SB1598	2560
2SB899G	21	2SB951-Q	262#	2SB1052Q	378#	2SB1163-Q	2329	2SB1300L	12	2SB1599	2560
2SB899H	21	2SB951-R	262#	2SB1052R	378#	2SB1163Q	2329	2SB1301	185#	2SB1600	2560
2SB899I	21	2SB952	378#	2SB1052S	378#	2SB1163S	2329	2SB1301Q	185#	2SB1601	2560
2SB899J	21	2SB953	378#	2SB1054	37	2SB1165	2514	2SB1317	2329	2SB1602	2560
2SB899K	21	2SB953-A	378#	2SB1054P	37	2SB1165Q	2514	2SB1317P	2329	2SB1603	2560
2SB899L	21	2SB953-AQ	378#	2SB1054R	37	2SB1165R	2514	2SB1317Q	2329	2SB1604	2560
2SB899M	21	2SB953-AR	378#	2SB1054S	37	2SB1165S	2514	2SB1317R	2329	2SB1605	2560
2SB899N	21	2SB953-AS	378#	2SB1055H	37	2SB1166	2514	2SB1334	378#	2SB1606	2560
2SB899O	21	2SB953-P	378#	2SB1055Q	37	2SB1166Q	2514	2SB1334A	378#	2SB1607	2560
2SB899P	21	2SB953-R	378#	2SB1055H	37	2SB1166Q	2514	2SB1334B	378#	2SB1608	2560
2SB899Q	2542	2SB954	242#	2SB1055Q	37	2SB1166Q	2514	2SB1334C	378#	2SB1609	2560
2SB899R	250	2SB954-A	242#	2SB1057	37	2SB1166R	2514	2SB1334D	378#	2SB1610	2560
2SB899S	250	2SB954-AQ	242#	2SB1057Q	37	2SB1166R	2514	2SB1334E	378#	2SB1611	2560
2SB899T	250	2SB954-AR	242#	2SB1057R	37	2SB1166S	2514	2SB1334F	378#	2SB1612	2560
2SB899U	55	2SB954-AS	242#	2SB1058	12	2SB1166S	2514	2SB1334G	378#	2SB1613	2560
2SB899V	55	2SB954-P	242#	2SB1058A	12	2SB1166S	2514	2SB1334H	378#	2SB1614	2560
2SB899W	55	2SB954-R	242#	2SB1058B	12	2SB1166S	2514	2SB1334I	378#	2SB1615	2560
2SB899X	55	2SB954-S	242#	2SB1058C	12	2SB1166S	2514	2SB1334J	378#	2SB1616	2560
2SB899Y	55	2SB954-T	242#	2SB1058D	12	2SB1166S	2514	2SB1334K	378#	2SB1617	2560
2SB899Z	55	2SB954-U	242#	2SB1058E	12	2SB1166S	2514	2SB1334L	378#	2SB1618	2560
2SB900	55	2SB954-V	242#	2SB1058F	12	2SB1166S	2514	2SB1334M	378#	2SB1619	2560
2SB900A	2571	2SB954-W	242#	2SB1058G	12	2SB1166S	2514	2SB1334N	378#	2SB1620	2560
2SB900B	2571	2SB954-X	242#	2SB1058H	12	2SB1166S	2514	2SB1334O	378#	2SB1621	2560
2SB900C	2571	2SB954-Y	242#	2SB1058I	12	2SB1166S	2514	2SB1334P	378#	2SB1622	2560
2SB900D	55	2SB954-Z	242#	2SB1059(ECB)	159	2SB1167	2514	2SB1334Q	378#	2SB1623	2560
2SB900E	55	2SB955	2344	2SB1059(CEC)	159	2SB1167S	2514	2SB1334R	378#	2SB1624	2560
2SB900F	55	2SB955A	2344	2SB1059(CEC)	159	2SB1167S	2514	2SB1334S	378#	2SB1625	2560
2SB900G	2571	2SB955B	2344	2SB1063	2516	2SB1168	2516	2SB1334T	378#	2SB1626	2560
2SB900H	2571	2SB955C	2344	2SB1063A	2516	2SB1168Q	2516	2SB1334U	378#	2SB1627	2560
2SB900I	55	2SB955D	2344	2SB1063B	2516	2SB1168R	2516	2SB1334V	378#	2SB1628	2560
2SB900J	55	2SB955E	2344	2SB1063C	2516	2SB1168S	2516	2SB1334W	378#	2SB1629	2560
2SB900K	55	2SB955F	2344	2SB1063D	2516	2SB1168S	2516	2SB1334X	378#	2SB1630	2560
2SB900L	55	2SB955G	2344	2SB1063E	2516	2SB1168S	2516	2SB1334Y	378#	2SB1631	2560
2SB900M	55	2SB955H	2344	2SB1063F	2516	2SB1168S	2516	2SB1334Z	378#	2SB1632	2560
2SB900N	55	2SB955I	2344	2SB1063G	2516	2SB1168S	2516	2SB1335	378#	2SB1633	2560
2SB900O	55	2SB955J	2344	2SB1063H	2516	2SB1168S	2516	2SB1335A	378#	2SB1634	2560
2SB900P	55	2SB955K	2344	2SB1063I	2516	2SB1168S	2516	2SB1335B	378#	2SB1635	2560
2SB900Q	55	2SB955L	2344	2SB1063J	2516	2SB1168S	2516	2SB1335C	378#	2SB1636	2560
2SB900R	55	2SB955M	2344	2SB1063K	2516	2SB1168S	2516	2SB1335D	378#	2SB1637	2560
2SB900S	55	2SB955N	2344	2SB1063L	2516	2SB1168S	2516	2SB1335E	378#	2SB1638	2560
2SB900T	55	2SB955O	2344	2SB1063M	2516	2SB1168S	2516	2SB1335F	378#	2SB1639	2560
2SB900U	55	2SB955P	2344	2SB1063N	2516	2SB1168S	2516	2SB1335G	378#	2SB1640	2560
2SB900V	55	2SB955Q	2344	2SB1063O	2516	2SB1168S	2516	2SB1335H	378#	2SB1641	2560
2SB900W	55	2SB955R	2344	2SB1063P	2516	2SB1168S	2516	2SB1335I	378#	2SB1642	2560
2SB900X	55	2SB955S	2344	2SB1063Q	2516	2SB1168S	2516	2SB1335J	378#	2SB1643	2560
2SB900Y	55	2SB955T	2344	2SB1063R	2516	2SB1168S	2516	2SB1335K	378#	2SB1644	2560
2SB900Z	55	2SB955U	2344	2SB1063S	2516	2SB1168S	2516	2SB1335L	378#		

To Be Replaced	ECG Replacement	To Be Replaced	ECG Replacement	To Be Replaced	ECG Replacement	To Be Replaced	ECG Replacement	To Be Replaced	ECG Replacement	To Be Replaced	ECG Replacement		
25C184R	213	25C291	2347	25C369G	199	25C388ATMFA-1	107	25C458P	85	25C500	154	25C536SPG	199
25C185	313	25C292	2347	25C369GBL	199	25C388ATV	107	25C458PQC	85	25C500R	154	25C536SPH	199
25C185A	313	25C293	2347	25C369GGR	199	25C389	161	25C458RGS	85	25C500Y	154	25C536V	85
25C185U	313	25C294(EB)	81	25C369GGR	199	25C389-0	161	25C458TOK	85	25C501	128	25C537	289A
25C185M	313	25C296	109	25C369GGF	199	25C389R	161	25C458V	85	25C502	195A	25C537(F)	199
25C185D	313	25C298	2583	25C369GV	199	25C392	316	25C458Y	85	25C503	128	25C537(G)	289A
25C185F	313	25C299	282/4275	25C369V	199	25C394	85	25C459	85	25C503-GH	128	25C537(H)	289A
25C185V	313									25C503-O	128	25C537I	289A
25C186	107	25C300	123A	25C370	289A	25C394-0	85	25C459B	85	25C503-Y	128	25C537J	289A
25C186H	107	25C300B	123A	25C370F	289A	25C394GR	85	25C459C	85	25C504	128	25C537K	289A
25C186V	107	25C300C	123A	25C370G	289A	25C394-O	85	25C459D	85	25C504GR	128	25C537L	289A
25C187	107	25C300D	123A	25C370H	289A	25C394R	85	25C459E	85	25C504-O	128	25C537M	289A
25C187V	107	25C300E	123A	25C370I	289A	25C394V	85	25C459F	85	25C504-Y	128	25C537N	289A
25C188	128	25C301	123A	25C370J	289A	25C394V	85	25C459G	85	25C505	154	25C537O	289A
25C188AB	128	25C301B	123A	25C371	289A	25C394V	85	25C459H	85	25C505-O	154	25C537P	289A
25C189	128	25C301C	123A	25C371B	289A	25C395	123A	25C459I	85	25C505-R	154	25C537Q	289A
25C189D	128	25C301D	123A	25C371G	289A	25C395A	123A	25C459J	85	25C506	154	25C537R	289A
25C189E	128	25C301E	123A	25C371H	289A	25C395B	153A	25C459K	85	25C506-R	154	25C537S	289A
25C189F	128	25C302	123A	25C371-O	289A	25C396	311	25C459L	85	25C506Y	154	25C537T	289A
25C190	128	25C302B	123A	25C371-F	289A	25C397	161	25C459M	85	25C507	154	25C537U	289A
25C191	123A	25C302C	123A	25C371-F	289A	25C398	319P	25C459N	85	25C507-0	154	25C537V	289A
25C192	123A	25C302D	123A	25C371-F-1	289A	25C398(FA-1)	319P	25C459O	85	25C507-R	154	25C537W	289A
25C193	123A	25C303	123A	25C372	85	25C400	123A	25C459P	85	25C507-Y	154	25C537X	289A
25C194	123A	25C306	128	25C372-1	85	25C400-D	123A	25C459Q	85	25C508	384	25C537Y	289A
25C195	123A	25C306B	128	25C372-2	85	25C400-O	123A	25C459R	85	25C509(0)	289A	25C538	199
25C196	123A	25C306C	128	25C372-3	85	25C400-B	123A	25C459S	85	25C509	289A	25C538G	199
25C197	123A	25C306D	128	25C372BL	85	25C400-GH	123A	25C459T	85	25C509G	85	25C538H	199
25C198	123A	25C306E	128	25C372FA	85	25C400-H	123A	25C459U	85	25C509-O	289A	25C538I	199
25C200	123A	25C306F	128	25C372G	85	25C400-Y	123A	25C459V	85	25C509O	289A	25C538J	199
25C201	123A	25C306G	128	25C372GO	85	25C401	123A	25C459W	85	25C509V	289A	25C538K	199
25C202	161	25C307	195A	25C372GR	85	25C401A	289A	25C459X	85	25C510	324	25C538L	199
25C203	161	25C307B	128	25C372G	85	25C401AK	289A	25C459Y	85	25C510-O	324	25C538M	199
25C204	123A	25C307C	128	25C372H	85	25C401AL	289A	25C459Z	316	25C510-R	324	25C538N	123A
25C205	123A	25C307D	128	25C372-I	85	25C402	289A	25C460	316	25C511	324	25C538O	123A
25C206	161	25C307E	128	25C372-J	85	25C403	289A	25C460B	316	25C511-R	324	25C538P	123A
25C207	161	25C307T	195A	25C372K	85	25C403C	289A	25C460C	316	25C512-O	324	25C538Q	123A
25C208	161	25C308	128	25C372L	85	25C403(C)	289A	25C460D	316	25C512-R	324	25C538R	123A
25C209	161	25C308B	128	25C372M	85	25C403D	289A	25C460E	316	25C512-Y	324	25C538S	123A
25C210	128	25C308C	128	25C372N	85	25C403E	289A	25C460F	316	25C513-O	324	25C538T	123A
25C211	128	25C308D	128	25C372-O	85	25C403F	289A	25C460G	316	25C513-R	324	25C538U	123A
25C212	128	25C308E	128	25C372-P	85	25C403G	289A	25C460H	316	25C513Y	324	25C538V	123A
25C213	128	25C308F	128	25C372-Q	85	25C403H	289A	25C460I	316	25C514	324	25C538W	123A
25C214	2347	25C308G	2347	25C372-R	85	25C403I	289A	25C460J	316	25C514-R	324	25C538X	123A
25C215	2347	25C308H	2347	25C372-S	85	25C403J	289A	25C460K	316	25C514-Y	324	25C538Y	123A
25C216	128	25C308I	2347	25C372-T	85	25C403K	289A	25C460L	316	25C515	324	25C539	123A
25C217	128	25C308J	2347	25C372-U	85	25C403L	289A	25C460M	316	25C515A	124	25C539R	123A
25C218	128	25C308K	2347	25C372-V	85	25C403M	289A	25C460N	316	25C515A-X	124	25C539S	123A
25C218A	128	25C308L	195A	25C372-W	85	25C403N	289A	25C460O	316	25C515B	124	25C539T	123A
25C219	161	25C308M	224	25C372-X	85	25C403P	289A	25C460P	316	25C515BK	124	25C540	313
25C220	128	25C308N	161	25C372-Y	85	25C403SP	289A	25C460Q	316	25C515Y	124	25C544	107
25C221	128	25C308O	161	25C372-Z	85	25C404	289A	25C460R	316	25C516	128	25C544C	107
25C222	128	25C308P	161			25C404A	289A	25C460S	316	25C516A	128	25C544D	107
25C223	128	25C308Q	161			25C404B	289A	25C460T	316	25C516-R	128	25C544E	107
25C224	128	25C308R	161			25C404C	289A	25C460U	316	25C517	2378	25C544F	107
25C225	2347	25C308S	161			25C404D	289A	25C460V	316	25C517A	2378	25C544G	107
25C226	128	25C308T	161			25C404E	289A	25C460W	316	25C517B	2378	25C544H	107
25C227	128	25C308U	161			25C404F	289A	25C460X	316	25C517C	2378	25C544I	107
25C228	128	25C308V	161			25C404G	289A	25C460Y	316	25C517D	2378	25C544J	107
25C229	128	25C308W	161			25C404H	289A	25C460Z	316	25C517E	2378	25C544K	107
25C230	128	25C308X	161			25C404I	289A	25C460A	316	25C517F	2378	25C544L	107
25C231	128	25C308Y	161			25C404J	289A	25C460B	316	25C517G	2378	25C544M	107
25C232	123A	25C308Z	161			25C404K	289A	25C460C	316	25C517H	2378	25C544N	107
25C233	123A	25C308AA	161			25C404L	289A	25C460D	316	25C517I	2378	25C544O	107
25C234	2347	25C308AB	311			25C404M	289A	25C460E	316	25C517J	2378	25C544P	107
25C235	2347	25C308AC	472			25C404N	289A	25C460F	316	25C517K	2378	25C544Q	107
25C235(O)	2826	25C308AD	123A			25C404O	289A	25C460G	316	25C517L	2378	25C544R	107
25C236	2347	25C308AE	123A			25C404P	289A	25C460H	316	25C517M	2378	25C544S	107
25C237	128	25C308AF	123A			25C404Q	289A	25C460I	316	25C517N	2378	25C544T	107
25C238	128	25C308AG	123A			25C404R	289A	25C460J	316	25C517O	2378	25C544U	107
25C239	123A	25C308AH	123A			25C404S	289A	25C460K	316	25C517P	2378	25C544V	107
25C240	123A	25C308AI	123A			25C404T	289A	25C460L	316	25C517Q	2378	25C544W	107
25C241	130	25C308AJ	123A			25C404U	289A	25C460M	316	25C517R	2378	25C544X	107
25C242	130	25C308AK	123A			25C404V	289A	25C460N	316	25C517S	2378	25C544Y	107
25C243	289	25C308AL	316			25C404W	289A	25C460O	316	25C517T	2378	25C544Z	107
25C244	289	25C308AM	316			25C404X	289A	25C460P	316	25C517U	2378	25C545	107
25C245	289	25C308AN	316			25C404Y	289A	25C460Q	316	25C517V	2378	25C545C	107
25C246	289	25C308AO	316			25C404Z	289A	25C460R	316	25C517W	2378	25C545D	107
25C247	128	25C308AP	316			25C405	289A	25C460S	316	25C517X	2378	25C545E	

Table with 14 columns: To Be Replaced, ECG Replacement, To Be Replaced, ECG Replacement, To Be Replaced, ECG Replacement, To Be Replaced, ECG Replacement, To Be Replaced, ECG Replacement, To Be Replaced, ECG Replacement, To Be Replaced, ECG Replacement. Rows list various semiconductor part numbers and their corresponding ECG replacements.

When basing of original part differs from ECG replacement, basing for original part is shown in parentheses () after the part number. For example, the 2SA509A(ECB) is replaced by ECG159 which has "ECB" basing.

Table with 12 columns: To Be Replaced, ECG Replacement, To Be Replaced, ECG Replacement, To Be Replaced, ECG Replacement, To Be Replaced, ECG Replacement, To Be Replaced, ECG Replacement, To Be Replaced, ECG Replacement. Rows list various semiconductor part numbers and their equivalents.

◆, #, @, +, §, I - See Special Notes on Page 2-2

To Be Replaced	ECG Replacement	To Be Replaced	ECG Replacement	To Be Replaced	ECG Replacement	To Be Replaced	ECG Replacement	To Be Replaced	ECG Replacement	To Be Replaced	ECG Replacement		
2SC1648	199	2SC1684T	199	2SC1740SRV	85	2SC1815GR	85	2SC1852S	123AP	2SC1942-10/03	389	2SC2023	2313
2SC1648E	199	2SC1685	85	2SC1740S-S	85	2SC1815GRBL	85	2SC1853	85	2SC1944	236	2SC2024	295
2SC1648EF	199	2SC1685-0	85	2SC1740SSJ	85	2SC1815GRBL	85	2SC1853B	85	2SC1945(BEC)	236*	2SC2025	316*
2SC1648EY	109	2SC1685AQRS	85	2SC1740SSK	85	2SC1815GRBL	85	2SC1853C	85	2SC1946	344	2SC2026	25
2SC1648FT	199	2SC1685C	85	2SC1740SSN	85	2SC1815	85	2SC1853D	85	2SC1947	456	2SC2027	23
2SC1648G	199	2SC1685D	85	2SC1740SSQ	85	2SC1815-NEW-BL	85	2SC1853E	85	2SC1948	382*	2SC2028	165
2SC1648HS	199	2SC1685E	85	2SC1740SSR	85	2SC1815-NEW-GF	85	2SC1853F	85	2SC1949	373*	2SC2029	373
		2SC1685F	85	2SC1740SSU	85	2SC1815-NEW-O	85	2SC1853G	85	2SC1950	373*	2SC2030	373
2SC1649(CEB)	267	2SC1685P	85	2SC1740SSX	85	2SC1815-NEW-Y	85	2SC1853H	85	2SC1951	373*	2SC2031	373
2SC1649(FCB)	267	2SC1685POR	85	2SC1740SSZ	85	2SC1815-O	85	2SC1853I	85	2SC1952	373*	2SC2032	373
2SC1649(IECB)	267	2SC1685Q	85	2SC1740T	85	2SC1815-OFA	85	2SC1853J	85	2SC1953	198	2SC2033	373
2SC1650(CEB)	267	2SC1741	85	2SC1741A	85	2SC1815-R	85	2SC1853K	2347*	2SC1954	488	2SC2034	373
2SC1650(IECB)	267	2SC1741B	85	2SC1741AP	85	2SC1815-VFA	85	2SC1853L	2347*	2SC1955	235	2SC2035	373
2SC1651(CEB)	267	2SC1741C	85	2SC1741BQ	85	2SC1815-VL	85	2SC1853M	2347*	2SC1956	373*	2SC2036	373
2SC1651(IECB)	267	2SC1741D	85	2SC1741CQ	85	2SC1815-VW	85	2SC1853N	394	2SC1957	265	2SC2037	373
2SC1651P(CEB)	267	2SC1741E	85	2SC1741DQ	85			2SC1853O	394	2SC1958	265	2SC2038	373
2SC1652	19*	2SC1685S	85	2SC1748	396	2SC1816	236*	2SC1853P	394	2SC1959	394	2SC2039	235
2SC1652M	18	2SC1685T	199	2SC1748Q	396	2SC1816(HORZ)	373	2SC1853Q	373	2SC1960	373	2SC2040	235
2SC1652MP	18	2SC1685U	199	2SC1748R	396	2SC1816E	236*	2SC1853R	373	2SC1961	373	2SC2041	235
2SC1652M2	18	2SC1685TAQH	85	2SC1749	376	2SC1816H	236*	2SC1853S	373	2SC1962	373	2SC2042	235
2SC1652M3	18	2SC1685TAQHS	85	2SC1749B	376	2SC1816HM	236*	2SC1853T	373	2SC1963	373	2SC2043	235
2SC1652O	18*	2SC1685T	229	2SC1749C	376	2SC1817	236*	2SC1853U	373	2SC1964	373	2SC2044	235
		2SC1685(CEB)	229	2SC1749D	376	2SC1817A	236*	2SC1853V	373	2SC1965	373	2SC2045	235
2SC1653	18*	2SC1685B(CEB)	229	2SC1749E	376	2SC1818	376	2SC1853W	373	2SC1966	373	2SC2046	235
2SC1653N2	2410	2SC1685C(CEB)	229	2SC1749F	376	2SC1819	376	2SC1853X	373	2SC1967	373	2SC2047	235
2SC1653N3	2410	2SC1685D(CEB)	229	2SC1749G	376	2SC1820	376	2SC1853Y	373	2SC1968	373	2SC2048	235
2SC1654	2410	2SC1685E(CEB)	229	2SC1749H	376	2SC1821	376	2SC1853Z	373	2SC1969	373	2SC2049	235
		2SC1685F(CEB)	229	2SC1749I	376	2SC1822	376			2SC1970	373	2SC2050	235
2SC1654N5	2410	2SC1685G(CEB)	229	2SC1749J	376	2SC1823	376	2SC1895S	399	2SC1971	342	2SC2051	235
2SC1654N6	2410	2SC1685H(CEB)	229	2SC1749K	376	2SC1824	376	2SC1895T	399	2SC1972	342	2SC2052	235
2SC1653A	190	2SC1685I(CEB)	229	2SC1749L	376	2SC1825	376	2SC1895U	399	2SC1973	342	2SC2053	235
2SC1653B	190	2SC1685J(CEB)	229	2SC1749M	376	2SC1826	376	2SC1895V	399	2SC1974	342	2SC2054	235
2SC1654A	575	2SC1685K(CEB)	229	2SC1749N	376	2SC1827	376	2SC1895W	399	2SC1975	342	2SC2055	235
2SC1654B	575	2SC1685L(CEB)	229	2SC1749O	376	2SC1828	376	2SC1895X	399	2SC1976	342	2SC2056	235
2SC1657	130	2SC1685M(CEB)	229	2SC1749P	376	2SC1829	376	2SC1895Y	399	2SC1977	342	2SC2057	235
2SC1657Q	130	2SC1685N(CEB)	229	2SC1749Q	376	2SC1830	376	2SC1896A	399	2SC1978	342	2SC2058	235
2SC1657R	130	2SC1685O(CEB)	229	2SC1749R	376	2SC1831	376	2SC1896B	399	2SC1979	342	2SC2059	235
2SC1658	301*	2SC1685P(CEB)	229	2SC1749S	376	2SC1832	376	2SC1896C	399	2SC1980	342	2SC2060	235
2SC1659	375	2SC1685Q(CEB)	229	2SC1749T	376	2SC1833	376	2SC1896D	399	2SC1981	342	2SC2061	235
2SC1659-R	375	2SC1685R(CEB)	229	2SC1749U	376	2SC1834	376	2SC1896E	399	2SC1982	342	2SC2062	235
2SC1659-Y	375	2SC1685S(CEB)	229	2SC1749V	376	2SC1835	376	2SC1896F	399	2SC1983	342	2SC2063	235
2SC1670	362*	2SC1685T(CEB)	229	2SC1749W	376	2SC1836	376	2SC1896G	399	2SC1984	342	2SC2064	235
		2SC1685U(CEB)	229	2SC1749X	376	2SC1837	376	2SC1896H	399	2SC1985	342	2SC2065	235
2SC1670E	362*	2SC1685V(CEB)	229	2SC1749Y	376	2SC1838	376	2SC1896I	399	2SC1986	342	2SC2066	235
2SC1670H	362*	2SC1685W(CEB)	229	2SC1749Z	376	2SC1839	376	2SC1896J	399	2SC1987	342	2SC2067	235
2SC1670HM	362*	2SC1685X(CEB)	229	2SC1750A	376	2SC1840	376	2SC1896K	399	2SC1988	342	2SC2068	235
2SC1670M	362*	2SC1685Y(CEB)	229	2SC1750B	376	2SC1841	376	2SC1896L	399	2SC1989	342	2SC2069	235
2SC1670J	362*	2SC1685Z(CEB)	229	2SC1750C	376	2SC1842	376	2SC1896M	399	2SC1990	342	2SC2070	235
2SC1670K	362*	2SC1685AA(CEB)	229	2SC1750D	376	2SC1843	376	2SC1896N	399	2SC1991	342	2SC2071	235
2SC1670L	362*	2SC1685AB(CEB)	229	2SC1750E	376	2SC1844	376	2SC1896O	399	2SC1992	342	2SC2072	235
2SC1670M	362*	2SC1685AC(CEB)	229	2SC1750F	376	2SC1845	376	2SC1896P	399	2SC1993	342	2SC2073	235
2SC1670N	362*	2SC1685AD(CEB)	229	2SC1750G	376	2SC1846	376	2SC1896Q	399	2SC1994	342	2SC2074	235
2SC1670O	362*	2SC1685AE(CEB)	229	2SC1750H	376	2SC1847	376	2SC1896R	399	2SC1995	342	2SC2075	235
2SC1670P	362*	2SC1685AF(CEB)	229	2SC1750I	376	2SC1848	376	2SC1896S	399	2SC1996	342	2SC2076	235
2SC1670Q	362*	2SC1685AG(CEB)	229	2SC1750J	376	2SC1849	376	2SC1896T	399	2SC1997	342	2SC2077	235
2SC1670R	362*	2SC1685AH(CEB)	229	2SC1750K	376	2SC1850	376	2SC1896U	399	2SC1998	342	2SC2078	235
2SC1670S	362*	2SC1685AJ(CEB)	229	2SC1750L	376	2SC1851	376	2SC1896V	399	2SC1999	342	2SC2079	235
2SC1670T	362*	2SC1685AK(CEB)	229	2SC1750M	376	2SC1852	376	2SC1896W	399	2SC2000	342	2SC2080	235
2SC1670U	362*	2SC1685AL(CEB)	229	2SC1750N	376	2SC1853	376	2SC1896X	399	2SC2001	342	2SC2081	235
2SC1670V	362*	2SC1685AM(CEB)	229	2SC1750O	376	2SC1854	376	2SC1896Y	399	2SC2002	342	2SC2082	235
2SC1670W	362*	2SC1685AN(CEB)	229	2SC1750P	376	2SC1855	376	2SC1897A	399	2SC2003	342	2SC2083	235
2SC1670X	362*	2SC1685AO(CEB)	229	2SC1750Q	376	2SC1856	376	2SC1897B	399	2SC2004	342	2SC2084	235
2SC1670Y	362*	2SC1685AP(CEB)	229	2SC1750R	376	2SC1857	376	2SC1897C	399	2SC2005	342	2SC2085	235
2SC1670Z	362*	2SC1685AQ(CEB)	229	2SC1750S	376	2SC1858	376	2SC1897D	399	2SC2006	342	2SC2086	235
2SC1671	362*	2SC1685AR(CEB)	229	2SC1750T	376	2SC1859	376	2SC1897E	399	2SC2007	342	2SC2087	235
2SC1671A	362*	2SC1685AS(CEB)	229	2SC1750U	376	2SC1860	376	2SC1897F	399	2SC2008	342	2SC2088	235
2SC1671B	362*	2SC1685AT(CEB)	229	2SC1750V	376	2SC1861	376	2SC1897G	399	2SC2009	342	2SC2089	235
2SC1671C	362*	2SC1685AU(CEB)	229	2SC1750W	376	2SC1862	376	2SC1897H	399	2SC2010	342	2SC2090	235
2SC1671D	362*	2SC1685AV(CEB)	229	2SC1750X	376	2SC1863	376	2SC1897I	399	2SC2011	342	2SC2091	235
2SC1671E	362*	2SC1685AW(CEB)	229	2SC1750Y	376	2SC1864	376	2SC1897J	399	2SC2012	342	2SC2092	235
2SC1671F	362*	2SC1685AX(CEB)	229	2SC1750Z	376	2SC1865	376	2SC1897K	399	2SC2013	342	2SC2093	235
2SC1671G	362*	2SC1685AY(CEB)	229	2SC1751A	376	2SC1866	376	2SC1897L	399	2SC2014	342	2SC2094	235
2SC1671H	362*	2SC1685AZ(CEB)	229	2SC1751B	376	2SC1867	376	2SC1897M	399	2SC2015	342	2SC2095	235
2SC1671I	362*	2SC1685BA(CEB)	229	2SC1751C	376	2SC1868	376	2SC1897N	399	2SC2016	342	2SC2096	235
2SC1671J	362*	2SC1685BB(CEB)	229	2SC1751D	376	2SC1869	376	2SC1897O	399	2SC2017	342	2SC2097	235
2SC1671K	362*	2SC1685BC(CEB)	229	2SC1751E	376	2SC1870	376	2SC1897P	399	2SC2018	342	2SC2098	235
2SC1671L	362*	2SC1685BD(CEB)	229	2SC1751F	376	2SC1871	376	2SC1897Q	399	2SC2019	342	2SC2099	235
2SC1671M	362*	2SC1685BE(CEB)	229	2SC1751G	376	2SC1872	376	2SC1897R	399	2SC2020	342	2SC2100	235
2SC1671N	362*	2SC1685BF(CEB)	229	2SC1751H	376	2SC1873	376	2SC1897S	399	2SC2021	342	2SC2101	235
2SC1671O	362*	2SC1685BG(CEB)	229	2SC1751I	376	2SC1874	376	2SC1897T	399	2SC2022	342	2SC2102	235
2SC1671P	362*	2SC1685BH(CEB)	229	2SC1751J	376	2SC1875	376	2SC1897U	399	2SC2023	342	2SC2103	235
2SC1671Q	362*	2SC1685BI(CEB)	229	2SC1751K	376	2SC1876	376	2SC1897V	399	2SC2024	342	2SC2104	235
2SC1671R	362*	2SC1685BJ(CEB)	229	2SC1751L	376	2SC1877	376	2SC1897W	399	2SC2025	342	2SC2105	235
2SC1671S	362*	2SC1685BK(CEB)	229	2SC1751M	376	2SC1878	376	2SC1897X	399	2SC2026	342	2SC2106	235
2SC1671T	362*	2SC1685BL(CEB)	229	2SC1751N	376	2SC1879							

To Be Replaced	ECG Replacement	To Be Replaced	ECG Replacement	To Be Replaced	ECG Replacement	To Be Replaced	ECG Replacement	To Be Replaced	ECG Replacement	To Be Replaced	ECG Replacement		
25C2078	235	25C2299M	399	25C2309	199	25C2402	284*	25C2497F	373#	25C2592	375	25C2681	375
25C2078B	235	25C2299M-(SAN-1)	399	25C2309D	199	25C2405	240#	25C2497O	373#	25C2592R	375	25C2681A	375
25C2078C	235	25C2299O	399	25C2309E	199	25C2410(IECB)	319*	25C2497R	373#	25C2594	184#	25C2682Q	375
25C2078D	235	25C2299O	399	25C2309F	199	25C2410M(IECB)	319P	25C2498	23	25C2594V	184#	25C2688	157
25C2078E	235	25C2299Y	399	25C2309L	199	25C2410N(IECB)	319P	25C2499	2303	25C2594V	184#	25C2688A	157
25C2085	378	25C2299Y	399	25C2310	85	25C2411K	240#	25C2500	31	25C2594V	184#	25C2688B	157
25C2085P	378	25C2299Y-TYPE8	399	25C2310B	85	25C2411KQ	240#	25C2501	379	25C2594V	184#	25C2688C	157
25C2085PQ	378	25C2230	399	25C2310C	85	25C2411KQ	240#	25C2502	379	25C2594V	184#	25C2688D	157
25C2085Q	378	25C2230A	399	25C23112	236	25C2411KR	240#	25C2506	320F	25C2594V	184#	25C2688E	157
25C2085R	340	25C2230AG	399	25C23114	295	25C2411N	240#	25C2509	230*	25C2594V	184#	25C2688F	157
25C2085S	199#	25C2230AGR	399	25C2311D	295	25C2412K	240#	25C2511	289A	25C2594V	184#	25C2688G	157
25C2085T	199#	25C2230A-GR	399	25C2311E	295	25C2412KQ	240#	25C2511A	289A	25C2594V	184#	25C2688H	157
25C2085U	295	25C2230A-GR(C)	399	25C2311F	85	25C2412K-OR	240#	25C2511B	289A	25C2594V	184#	25C2688I	157
25C2085V	295	25C2230AGY	399	25C2311G	85	25C2412KR	240#	25C2511C	289A	25C2594V	184#	25C2688J	157
25C2085W	295	25C2230Y	399	25C2311H	85	25C2412KQ	240#	25C2511D	289A	25C2594V	184#	25C2688K	157
25C2085X	235#	25C2230AY	399	25C2311I	85	25C2412K147	240#	25C2511E	229	25C2594V	184#	25C2688L	157
25C2085Y	378	25C2230B	399	25C2311J	85	25C2413K	240#	25C2511F	229	25C2594V	184#	25C2688M	157
25C2085Z	344	25C2230C	399	25C2311K	85	25C2413N	240#	25C2511G	229	25C2594V	184#	25C2688N	157
25C2086	236	25C2230D	399	25C2311L	85	25C2413P	240#	25C2511H	229	25C2594V	184#	25C2688O	157
25C2086A	333#	25C2230E	399	25C2311M	85	25C2413Q	240#	25C2511I	229	25C2594V	184#	25C2688P	157
25C2086B	348#	25C2230F	399	25C2311N	85	25C2413R	240#	25C2511J	229	25C2594V	184#	25C2688Q	157
25C2086C	350	25C2230G	399	25C2311O	85	25C2413S	240#	25C2511K	229	25C2594V	184#	25C2688R	157
25C2086D	345	25C2230H	399	25C2311P	85	25C2413T	240#	25C2511L	229	25C2594V	184#	25C2688S	157
25C2086E	364	25C2230I	399	25C2311Q	85	25C2413U	240#	25C2511M	229	25C2594V	184#	25C2688T	157
25C2086F	240#	25C2230J	399	25C2311R	85	25C2413V	240#	25C2511N	229	25C2594V	184#	25C2688U	157
25C2086G	240#	25C2230K	399	25C2311S	85	25C2413W	240#	25C2511O	229	25C2594V	184#	25C2688V	157
25C2086H	240#	25C2230L	399	25C2311T	85	25C2413X	240#	25C2511P	229	25C2594V	184#	25C2688W	157
25C2086I	240#	25C2230M	399	25C2311U	85	25C2413Y	240#	25C2511Q	229	25C2594V	184#	25C2688X	157
25C2086J	240#	25C2230N	399	25C2311V	85	25C2413Z	240#	25C2511R	229	25C2594V	184#	25C2688Y	157
25C2086K	240#	25C2230O	399	25C2311W	85	25C2414	348	25C2511S	229	25C2594V	184#	25C2688Z	157
25C2086L	240#	25C2230P	399	25C2311X	85	25C2415	353	25C2511T	229	25C2594V	184#	25C2689A	373
25C2086M	240#	25C2230Q	399	25C2311Y	85	25C2416	353	25C2511U	229	25C2594V	184#	25C2689B	373
25C2086N	240#	25C2230R	399	25C2231	198	25C2417	348	25C2511V	229	25C2594V	184#	25C2689C	373
25C2086O	240#	25C2230S	399	25C2231A	375*	25C2418	348	25C2511W	229	25C2594V	184#	25C2689D	373
25C2086P	240#	25C2230T	399	25C2231B	375*	25C2419	348	25C2511X	229	25C2594V	184#	25C2689E	373
25C2086Q	240#	25C2230U	399	25C2231C	375*	25C2420	348	25C2511Y	229	25C2594V	184#	25C2689F	373
25C2086R	240#	25C2230V	399	25C2231D	375*	25C2421	348	25C2511Z	229	25C2594V	184#	25C2689G	373
25C2086S	240#	25C2230W	399	25C2231E	375*	25C2422	348	25C2511A	284	25C2594V	184#	25C2689H	373
25C2086T	240#	25C2230X	399	25C2231F	375*	25C2423	348	25C2511B	284	25C2594V	184#	25C2689I	373
25C2086U	240#	25C2230Y	399	25C2231G	375*	25C2424	348	25C2511C	284	25C2594V	184#	25C2689J	373
25C2086V	240#	25C2230Z	399	25C2231H	375*	25C2425	348	25C2511D	284	25C2594V	184#	25C2689K	373
25C2086W	240#	25C2231	399	25C2231I	375*	25C2426	348	25C2511E	284	25C2594V	184#	25C2689L	373
25C2086X	240#	25C2231A	399	25C2231J	375*	25C2427	348	25C2511F	284	25C2594V	184#	25C2689M	373
25C2086Y	240#	25C2231B	399	25C2231K	375*	25C2428	348	25C2511G	284	25C2594V	184#	25C2689N	373
25C2086Z	240#	25C2231C	399	25C2231L	375*	25C2429	348	25C2511H	284	25C2594V	184#	25C2689O	373
25C2087	240#	25C2231D	399	25C2231M	375*	25C2430	348	25C2511I	284	25C2594V	184#	25C2689P	373
25C2087A	240#	25C2231E	399	25C2231N	375*	25C2431	348	25C2511J	284	25C2594V	184#	25C2689Q	373
25C2087B	240#	25C2231F	399	25C2231O	375*	25C2432	348	25C2511K	284	25C2594V	184#	25C2689R	373
25C2087C	240#	25C2231G	399	25C2231P	375*	25C2433	348	25C2511L	284	25C2594V	184#	25C2689S	373
25C2087D	240#	25C2231H	399	25C2231Q	375*	25C2434	348	25C2511M	284	25C2594V	184#	25C2689T	373
25C2087E	240#	25C2231I	399	25C2231R	375*	25C2435	348	25C2511N	284	25C2594V	184#	25C2689U	373
25C2087F	240#	25C2231J	399	25C2231S	375*	25C2436	348	25C2511O	284	25C2594V	184#	25C2689V	373
25C2087G	240#	25C2231K	399	25C2231T	375*	25C2437	348	25C2511P	284	25C2594V	184#	25C2689W	373
25C2087H	240#	25C2231L	399	25C2231U	375*	25C2438	348	25C2511Q	284	25C2594V	184#	25C2689X	373
25C2087I	240#	25C2231M	399	25C2231V	375*	25C2439	348	25C2511R	284	25C2594V	184#	25C2689Y	373
25C2087J	240#	25C2231N	399	25C2231W	375*	25C2440	348	25C2511S	284	25C2594V	184#	25C2689Z	373
25C2087K	240#	25C2231O	399	25C2231X	375*	25C2441	348	25C2511T	284	25C2594V	184#	25C2690A	373
25C2087L	240#	25C2231P	399	25C2231Y	375*	25C2442	348	25C2511U	284	25C2594V	184#	25C2690B	373
25C2087M	240#	25C2231Q	399	25C2231Z	375*	25C2443	348	25C2511V	284	25C2594V	184#	25C2690C	373
25C2087N	240#	25C2231R	399	25C2232	399	25C2444	348	25C2511W	284	25C2594V	184#	25C2690D	373
25C2087O	240#	25C2231S	399	25C2232A	399	25C2445	348	25C2511X	284	25C2594V	184#	25C2690E	373
25C2087P	240#	25C2231T	399	25C2232B	399	25C2446	348	25C2511Y	284	25C2594V	184#	25C2690F	373
25C2087Q	240#	25C2231U	399	25C2232C	399	25C2447	348	25C2511Z	284	25C2594V	184#	25C2690G	373
25C2087R	240#	25C2231V	399	25C2232D	399	25C2448	348	25C2511A	284	25C2594V	184#	25C2690H	373
25C2087S	240#	25C2231W	399	25C2232E	399	25C2449	348	25C2511B	284	25C2594V	184#	25C2690I	373
25C2087T	240#	25C2231X	399	25C2232F	399	25C2450	348	25C2511C	284	25C2594V	184#	25C2690J	373
25C2087U	240#	25C2231Y	399	25C2232G	399	25C2451	348	25C2511D	284	25C2594V	184#	25C2690K	373
25C2087V	240#	25C2231Z	399	25C2232H	399	25C2452	348	25C2511E	284	25C2594V	184#	25C2690L	373
25C2087W	240#	25C2232	399	25C2232I	399	25C2453	348	25C2511F	284	25C2594V	184#	25C2690M	373
25C2087X	240#	25C2232A	399	25C2232J	399	25C2454	348	25C2511G	284	25C2594V	184#	25C2690N	373
25C2087Y	240#	25C2232B	399	25C2232K	399	25C2455	348	25C2511H	284	25C2594V	184#	25C2690O	373
25C2087Z	240#	25C2232C	399	25C2232L	399	25C2456	348	25C2					

To Be Replaced	ECG Replacement	To Be Replaced	ECG Replacement	To Be Replaced	ECG Replacement	To Be Replaced	ECG Replacement	To Be Replaced	ECG Replacement	To Be Replaced	ECG Replacement	To Be Replaced	ECG Replacement
2SC3893A	2353	2SC4075(E)-YAC	376#	2SC4274	379	2SC4523R	2522	2SC5100	36#	2SD72-3C	103A	2SD126H	87
2SC3894	2324#	2SC4075D	376#	2SC4274-02	379	2SC4523S	2522	2SC5101	36	2SD72-4C	103A	2SD126S	87
2SC3895	2324#	2SC4075E	376#	2SC4274-02F9	379	2SC4528	2536	2SC5148	2300	2SD72A	103A	2SD127	103A
2SC3896	2324#	2SC4075-YAC	376#	2SC4275	2309	2SC4531	2353	2SC5333	2313	2SD72B	103A	2SD127A	103A
2SC3897	2354#	2SC4085	2354#	2SC4276	2311#	2SC4533	2339	2SC5473	281	2SD72BR	103A	2SD128	103A
2SC3902	2519	2SC4105L	373	2SC4280A	2385	2SC4536	2568	2SC5734	281	2SD72C	103A	2SD128A	103A
2SC3902R-RA	2519	2SC4105M	375	2SC4280A	2393	2SC4542	2354#	2SC5A753B	281	2SD72D	103A	2SD129	175
2SC3902S	2519	2SC4106	373	2SC4291	2331	2SC4544	376#	2SC5F39C	281	2SD72F	105A	2SD129-BL	175
2SC3902S-CTV-YA	2519	2SC4106L	373	2SC4291	2331	2SC4546	2337	2SC5F1	108	2SD72RE	103A	2SD129-R	175
2SC3907	2328	2SC4106M	379	2SC4293	2331	2SC4548	2337	2SC5F2	123A	2SD73	87	2SD128-Y	175
2SC3907-O	2328	2SC4107	379	2SC4294	2331	2SC4549	2337	2SC5F3	123A	2SD73A	87	2SD130	175
2SC3907-R	2328	2SC4107L	379	2SC4296	2308#	2SC4550	2365#	2SC5F4	123A	2SD73B	87	2SD130BL	175
2SC3909	2309	2SC4107M	379	2SC4297	2308#	2SC4554	2521	2SC5F5	195A	2SD73C	87	2SD130-F	175
2SC3912	2314	2SC4109	2311#	2SC4300	2308#	2SC4559	2521	2SC5F6	237	2SD73E	87	2SD130-Y	175
2SC3927	2348	2SC4109-CTV-YB	2311#	2SC4301	2308#	2SC4562	2507	2SC5F7	233	2SD74	87	2SD134	123
2SC3942	376#	2SC4109N	2539	2SC4302	2308#	2SC4566C	2507	2SC5F8	233	2SD74A	87	2SD134A	123
2SC3942RL	376#	2SC4109M	2539	2SC4303	2324	2SC4566D	2507	2SC5F9	233	2SD74B	87	2SD141	152
2SC3943	2574	2SC4110	2539	2SC4304	2324	2SC4566E	2507	2SC5F10	199	2SD74C	87	2SD141H01	152
2SC3945	376	2SC4110L	2539	2SC4305	2324	2SC4566F	2507	2SC5F11	128	2SD74D	87	2SD141H9Z	152
2SC3950	2510	2SC4110M	2539	2SC4306	2324	2SC4566G	2507	2SC5F12	128	2SD74E	87	2SD142	175
2SC3950C	2510	2SC4111	2539	2SC4307	2324	2SC4566H	2507	2SC5F13	123	2SD74F	87	2SD142(M)	175
2SC3950D	2510	2SC4111M	2539	2SC4308	2324	2SC4566I	2507	2SC5F14	123	2SD74G	87	2SD142M	175
2SC3951	2511#	2SC4111S	2539	2SC4309	2324	2SC4566J	2507	2SC5F15	108	2SD74H	87	2SD143	175
2SC3951C	2511#	2SC4111S-R	11	2SC4310	2324	2SC4566K	2507	2SC5F16	108	2SD74J	87	2SD144	175
2SC3951E	2511#	2SC4111S-R	11	2SC4311	2324	2SC4566L	2507	2SC5F17	108	2SD74K	87	2SD145	175
2SC3952	2511#	2SC4111S-R	11	2SC4312	2324	2SC4566M	2507	2SC5F18	108	2SD74L	87	2SD146	175
2SC3952C	2511#	2SC4111S-R	11	2SC4313	2324	2SC4566N	2507	2SC5F19	108	2SD74M	87	2SD147	152
2SC3952D	2511#	2SC4111S-R	11	2SC4314	2324	2SC4566O	2507	2SC5F20	108	2SD74N	87	2SD148	175
2SC3952E	2511#	2SC4111S-R	11	2SC4315	2324	2SC4566P	2507	2SC5F21	108	2SD74P	87	2SD149	175
2SC3953	2508	2SC4111S-R	11	2SC4316	2324	2SC4566Q	2507	2SC5F22	108	2SD74Q	87	2SD150	175
2SC3953C	2508	2SC4111S-R	11	2SC4317	2324	2SC4566R	2507	2SC5F23	108	2SD74R	87	2SD151	328
2SC3953D	2508	2SC4111S-R	11	2SC4318	2324	2SC4566S	2507	2SC5F24	108	2SD74S	87	2SD152	375
2SC3953E	2508	2SC4111S-R	11	2SC4319	2324	2SC4566T	2507	2SC5F25	108	2SD74T	87	2SD154	152
2SC3953F	2508	2SC4111S-R	11	2SC4320	2324	2SC4566U	2507	2SC5F26	108	2SD74V	87	2SD155	175
2SC3953G	2508	2SC4111S-R	11	2SC4321	2324	2SC4566V	2507	2SC5F27	108	2SD74W	87	2SD156	175
2SC3953H	2508	2SC4111S-R	11	2SC4322	2324	2SC4566W	2507	2SC5F28	108	2SD74X	87	2SD157	175
2SC3953I	2508	2SC4111S-R	11	2SC4323	2324	2SC4566X	2507	2SC5F29	108	2SD74Y	87	2SD158	175
2SC3953J	2508	2SC4111S-R	11	2SC4324	2324	2SC4566Y	2507	2SC5F30	108	2SD74Z	87	2SD159	175
2SC3953K	2508	2SC4111S-R	11	2SC4325	2324	2SC4566Z	2507	2SC5F31	108	2SD75	87	2SD160	175
2SC3953L	2508	2SC4111S-R	11	2SC4326	2324	2SC4566AA	2507	2SC5F32	108	2SD75A	87	2SD161	175
2SC3953M	2508	2SC4111S-R	11	2SC4327	2324	2SC4566AB	2507	2SC5F33	108	2SD75B	87	2SD162	175
2SC3953N	2508	2SC4111S-R	11	2SC4328	2324	2SC4566AC	2507	2SC5F34	108	2SD75C	87	2SD163	175
2SC3953O	2508	2SC4111S-R	11	2SC4329	2324	2SC4566AD	2507	2SC5F35	108	2SD75D	87	2SD164	175
2SC3953P	2508	2SC4111S-R	11	2SC4330	2324	2SC4566AE	2507	2SC5F36	108	2SD75E	87	2SD165	175
2SC3953Q	2508	2SC4111S-R	11	2SC4331	2324	2SC4566AF	2507	2SC5F37	108	2SD75F	87	2SD166	175
2SC3953R	2508	2SC4111S-R	11	2SC4332	2324	2SC4566AG	2507	2SC5F38	108	2SD75G	87	2SD167	175
2SC3953S	2508	2SC4111S-R	11	2SC4333	2324	2SC4566AH	2507	2SC5F39	108	2SD75H	87	2SD168	175
2SC3953T	2508	2SC4111S-R	11	2SC4334	2324	2SC4566AJ	2507	2SC5F40	108	2SD75I	87	2SD169	175
2SC3953U	2508	2SC4111S-R	11	2SC4335	2324	2SC4566AK	2507	2SC5F41	108	2SD75J	87	2SD170	175
2SC3953V	2508	2SC4111S-R	11	2SC4336	2324	2SC4566AL	2507	2SC5F42	108	2SD75K	87	2SD171	175
2SC3953W	2508	2SC4111S-R	11	2SC4337	2324	2SC4566AM	2507	2SC5F43	108	2SD75L	87	2SD172	175
2SC3953X	2508	2SC4111S-R	11	2SC4338	2324	2SC4566AN	2507	2SC5F44	108	2SD75M	87	2SD173	175
2SC3953Y	2508	2SC4111S-R	11	2SC4339	2324	2SC4566AO	2507	2SC5F45	108	2SD75N	87	2SD174	175
2SC3953Z	2508	2SC4111S-R	11	2SC4340	2324	2SC4566AP	2507	2SC5F46	108	2SD75O	87	2SD175	175
2SC3954	2508	2SC4111S-R	11	2SC4341	2324	2SC4566AQ	2507	2SC5F47	108	2SD75P	87	2SD176	175
2SC3954C	2508	2SC4111S-R	11	2SC4342	2324	2SC4566AR	2507	2SC5F48	108	2SD75Q	87	2SD177	175
2SC3954D	2508	2SC4111S-R	11	2SC4343	2324	2SC4566AS	2507	2SC5F49	108	2SD75R	87	2SD178	175
2SC3954E	2508	2SC4111S-R	11	2SC4344	2324	2SC4566AT	2507	2SC5F50	108	2SD75S	87	2SD179	175
2SC3954F	2508	2SC4111S-R	11	2SC4345	2324	2SC4566AU	2507	2SC5F51	108	2SD75T	87	2SD180	175
2SC3954G	2508	2SC4111S-R	11	2SC4346	2324	2SC4566AV	2507	2SC5F52	108	2SD75U	87	2SD181	175
2SC3954H	2508	2SC4111S-R	11	2SC4347	2324	2SC4566AW	2507	2SC5F53	108	2SD75V	87	2SD182	175
2SC3954I	2508	2SC4111S-R	11	2SC4348	2324	2SC4566AX	2507	2SC5F54	108	2SD75W	87	2SD183	175
2SC3954J	2508	2SC4111S-R	11	2SC4349	2324	2SC4566AY	2507	2SC5F55	108	2SD75X	87	2SD184	175
2SC3954K	2508	2SC4111S-R	11	2SC4350	2324	2SC4566AZ	2507	2SC5F56	108	2SD75Y	87	2SD185	175
2SC3954L	2508	2SC4111S-R	11	2SC4351	2324	2SC4566BA	2507	2SC5F57	108	2SD75Z	87	2SD186	175
2SC3954M	2508	2SC4111S-R	11	2SC4352	2324	2SC4566BB	2507	2SC5F58	108	2SD76	87	2SD187	175
2SC3954N	2508	2SC4111S-R	11	2SC4353	2324	2SC4566BC	2507	2SC5F59	108	2SD76A	87	2SD188	175
2SC3954O	2508	2SC4111S-R	11	2SC4354	2324	2SC4566BD	2507	2SC5F60	108	2SD76B	87	2SD189	175
2SC3954P	2508	2SC4111S-R	11	2SC4355	2324	2SC4566BE	2507	2SC5F61	108	2SD76C	87	2SD190	175
2SC3954Q	2508	2SC4111S-R	11	2SC4356	2324	2SC4566BF	2507	2SC5F62	108	2SD76D	87	2SD191	175
2SC3954R	2508	2SC4111S-R	11	2SC4357	2324	2SC4566BG	2507	2SC5F63	108	2SD76E	87	2SD192	175
2SC3954S	2508	2SC4111S-R	11	2SC4358	2324	2SC4566BH	2507	2SC5F64	108	2SD76F	87	2SD193	175
2SC3954T	2508	2SC4111S-R	11	2SC4359	2324	2SC4566BI	2507	2SC5F65	108	2SD76G	87	2SD194	175
2SC3954U	2508	2SC4111S-R	11	2SC4360	2324	2SC4566BJ	2507	2SC5F66	108	2SD76H	87	2SD195	175
2SC3954V	2508	2SC4111S-R	11	2SC4361	2324	2SC4566BK	2507	2SC5F67	108	2SD76I	87	2SD196	175
2SC3954W	2508	2SC4111S-R	11	2SC4362	2324	2SC4566BL	2507	2SC5F68	108	2SD76J	87	2SD197	175
2SC3954X	2508	2SC4111S-R	11	2SC4363	2324	2SC4566BM	2507	2SC5F69	108	2SD			

Table with 12 columns: To Be Replaced, ECG Replacement, To Be Replaced, ECG Replacement, To Be Replaced, ECG Replacement, To Be Replaced, ECG Replacement, To Be Replaced, ECG Replacement, To Be Replaced, ECG Replacement. Contains numerous semiconductor part numbers and their equivalents.

♦, *, @, +, \$, † - See Special Notes on Page 2-2

Table with 12 columns: To Be Replaced, ECG Replacement, To Be Replaced, ECG Replacement, To Be Replaced, ECG Replacement, To Be Replaced, ECG Replacement, To Be Replaced, ECG Replacement, To Be Replaced, ECG Replacement. Contains thousands of semiconductor part numbers and their equivalents.

When basing of original part differs from ECG replacement, basing for original part is shown in parentheses () after the part number. For example, the 2SA509A(ECB) is replaced by ECG159 which has "EBC" basing.

Table with 12 columns: To Be Replaced, ECG Replacement, To Be Replaced, ECG Replacement, To Be Replaced, ECG Replacement, To Be Replaced, ECG Replacement, To Be Replaced, ECG Replacement, To Be Replaced, ECG Replacement. Rows list various semiconductor part numbers and their corresponding ECG replacements.

When basing of original part differs from ECG replacement, basing for original part is shown in parentheses () after the part number. For example, the 2SA509A(ECB) is replaced by ECG159 which has "EBC" basing.

Table with 16 columns: To Be Replaced, ECG Replacement, To Be Replaced, ECG Replacement, To Be Replaced, ECG Replacement, To Be Replaced, ECG Replacement, To Be Replaced, ECG Replacement, To Be Replaced, ECG Replacement, To Be Replaced, ECG Replacement, To Be Replaced, ECG Replacement. The table lists numerous semiconductor components and their equivalent ECG parts.

When basing of original part differs from ECG replacement, basing for original part is shown in parentheses () after the part number. For example, the 2SA509A(ECB) is replaced by ECG159 which has "ECB" basing.

ECG SEMICONDUCTOR REPLACEMENT GUIDE

4-2020-16200 through 5M20ZS5

Table with multiple columns: To Be Replaced, ECG Replacement, To Be Replaced, ECG Replacement, To Be Replaced, ECG Replacement, To Be Replaced, ECG Replacement, To Be Replaced, ECG Replacement. It lists various semiconductor part numbers and their corresponding ECG replacements.

When basing of original part differs from ECG replacement, basing for original part is shown in parentheses () after the part number. For example, the 2SA509A(ECB) is replaced by ECG159 which has "ECB" basing.

To Be Replaced	ECG Replacement	To Be Replaced	ECG Replacement	To Be Replaced	ECG Replacement	To Be Replaced	ECG Replacement	To Be Replaced	ECG Replacement	To Be Replaced	ECG Replacement	To Be Replaced	ECG Replacement
5M22Z55	5136A	5Z54 3A	5114A	5.1N2(Zener)	5010A	6A05	5812	6B-34	121MP	6FL100S10	5824	6RH15	5818
5M24Z55	5137A	5Z54 3B	5114A	5.1X(Zener)	5010T1	6A05G	5812	6B-35	121MP	6FL10S02	5819	6RH2	5819
5M25Z55	5138A	5Z54 7D	5115A	5.6B	5011A	6A1	5812	6B-36	121MP	6FL10S05	5819	6RH2S	5819
5M27Z55	5139A	5Z55 1	5116A	5.6B(Zener)	5011A	6A1G	5812	6B-37	121MP	6FL20S02	5819	6RH3	5821
5M28Z55	5140A	5Z55 2A	5117A	5.6B(Zener)	5011A	6A2	5812	6B-38	121MP	6FL20S05	5819	6RH4	5821
5M30Z55	5141A	5Z55 1B	5118A	5.6B3	5011A	6A3G	5814	6B-39	121MP	6FL20S10	5819	6RH5	5821
5M32Z55	5142A	5Z55 6	5117A	5.6B3(Zener)	5011A	6A3(Zener)	5814	6BG11	5819	6FL40S02	5821	6RH5S	5821
5M36Z55	5143A	5Z55 6A	5117A	5.6EB(Zener)	5011A	6A4	5814	6C05	5850	6FL40S05	5821	6RH100-120	5741
5M39Z55	5144A	5Z55 6B	5117A	5.6L2(Zener)	5011A	6A4G	5814	6C05R	5851	6FL40S10	5821	6R100-160	5741
5M40	5900	5Z56 0A	5118A	5.6L2(Zener)	5011A	6A6	5815	6C1(Zener)	5012A	6FL60S02	5823	6R150E-060	5742
5M43Z55	5145A	5Z56 0B	5118A	5.6N1(Zener)	5011A	6A6F	5822	6C2(Zener)	5013T1	6FL60S05	5823	6R150E-080	5742
5M47Z55	5146A	5Z56 2	5119A	5.6N2(Zener)	5011A	6A6G	5815	6C3(Zener)	5013T1	6FL80S05	5823	6R175E-060	5742
5M50	5904	5Z56 2A	5119A	5.8X(Zener)	5011T1	6A8	5817	6C10	5854	6FL100S05	5825	6R175E-080	5742
5M52Z55	5147A	5Z56 2B	5119A	6-000139	128	6A8.1A5L	5850	6C10R	5852	6FL100S10	5825	6R175E-100	5743
5M56Z55	5148A	5Z56 8B	5120A	6-000155A	102	6A8G	5817	6C15	5854	6FR4S	5820	6R175E-160	5743
5M60	5904	5Z57 5	5121A	6-000158	121	6A10(100V)	5812	6C15R	5855	6FR5	5851	6R100E-060	5744
5M60Z55	5149A	5Z57 5A	5121A	6-000105	102	6A10	5817	6C20	5854	6FR5A	5851	6R100E-080	5744
5M62Z55	5150A	5Z57 5B	5121A	6-000140	175	6A10G(100)	5812	6C20R	5855	6FR5-D	5851	6R100G-120	5745
5M66Z55	5151A	5Z58 2	5122A	6-000555-2	175	6A10G	5817	6C30	5858	6FR10	5859	6R100G-160	5745
5M75Z55	5152A	5Z58 2A	5122A	6-0004799	5625	6A15	5850	6C30R	5859	6FR10A	5855	6R130E-060	5740
5M80	5908	5Z58 2B	5122A	6-0005193	152	6A20(200V)	5814	6C40	5858	6FR10B	5855	6R130E-080	5740
5M82Z55	5153A	5Z58 7	5123A	6-007-3	709	6A20G(200V)	5814	6C40R	5859	6FR10-D	5855	6R25SP5B5	524V15
5M87Z55	5154A	5Z58 7A	5123A	6-04-GRIN	123A	6A30	5850	6C50	5862	6FR15	5855	6R36PH13BJ1	119
5M91Z55	5155A	5Z58 7B	5123A	6-04-GRIN	123A	6A40(400V)	5014	6C50R	5863	6FR15A	5863	6R36PH13BJCJ1	119
5M100	5910	5Z59 1	5124A	6-04-ORN	123A	6A40G(400V)	5014	6C60	5862	6FR15B	5855	6R5PH13BJJ1	119
5M100Z55	5156A	5Z59 1A	5124A	6-0451	123A	6A420	5854	6C60R	5863	6FR20	5859	6R5PH13BJKJ1	119
5M110Z55	5157A	5Z59 1B	5124A	6-04S2	123A	6A60(600V)	5815	6C70	5866	6FR20A	5855	6R5PH13BJLJ1	119
5M120Z55	5158A	5Z59 1C	5125A	6-05	123A	6A60G(600V)	5815	6C70R	5867	6FR20B	5855	6R5PH13BJMJ1	119
5M130Z55	5159A	5Z59 1D	5125A	6-05F	123A	6A80(800V)	5817	6C80	5866	6FR20-D	5855	6R5PH13BJNJ1	119
5M140Z55	5160A	5Z59 1E	5125A	6-05YEL	123A	6A80G(800V)	5817	6C80R	5867	6FR30	5859	6R5PH13BJOJ1	119
5M150Z55	5161A	5Z59 1F	5126A	6-068-719-10	1795	6A100(1000V)	5817	6C90	5868	6FR30A	5855	6R5PH13BJPJ1	119
5M160Z55	5162A	5Z59 1G	5126A	6-068-720-70	1904	6A100	5859	6C90R	5869	6FR30B	5855	6R5PH13BJQJ1	119
5M170Z55	5163A	5Z59 1H	5126A	6-0451	123A	6A100G(1000V)	5817	6C100	5868	6FR40	5859	6R5PH13BJRJ1	119
5M180Z55	5165A	5Z59 1I	5127A	6-0452	123A	6A200	5854	6C100R	5869	6FR40A	5859	6R5PH13BJSJ1	119
5M192Z55	5166A	5Z59 1J	5127A	6-0453	123A	6A300	5854	6C110	5844	6FR40B	5859	6R5PH13BJTJ1	119
5M200Z55	5168A	5Z59 1K	5127A	6-11	123A	6A400	5858	6C113	5854	6FR40-D	5859	6R5PH13BJUJ1	119
5MA2	116	5Z59 1L	5128A	6-13	102A	6A500	5862	6C113	5855	6FR50	5863	6R5PH13BJVJ1	119
5MA4	116	5Z59 1M	5128A	6-19	123A	6A600	5862	6D0000105	102	6FR50A	5863	6R5PH13BJWJ1	119
5MA5	116	5Z59 1N	5128A	6-24	175	6A700	5866	6D4841	5313+	6FR50B	5863	6R5PH13BJXJ1	119
5MA6	116	5Z59 1P	5129A	6-30	123A	6A800	5866	6D122	102A	6FR58	5851	6R5PH13BJYJ1	119
5MA8	125	5Z59 1A	5129A	6-31	159	6A900	5868	6D122F	102A	6FR60	5863	6R5PH13BJZJ1	119
5MA10	125	5Z59 1B	5129A	6-31A	159	6A1000	5868	6D122T	102A	6FR60A	5863	6R5PH13BJ1	119
5MF	116	5Z59 1C	5130A	6-38A	159	6A1022	128	6D122H	102A	6FR60B	5863	6R5PH13BJ2J1	119
5MS5	116	5Z59 1D	5130A	6-49	234	6A10229	131	6D122I	102A	6FR70	5867	6R5PH13BJ3J1	119
5MS10	116	5Z59 1E	5130A	6-50	126A	6A10422	123A	6D122J	102A	6FR70A	5867	6R5PH13BJ4J1	119
5MS20	116	5Z59 1F	5131A	6-53	102A	6A10423	123A	6D122V	102A	6FR70B	5867	6R5PH13BJ5J1	119
5MS30	116	5Z59 1G	5131A	6-53A	102A	6A10520	123A	6D122Y	102A	6FR80	5867	6R5PH13BJ6J1	119
5MS50	116	5Z59 1H	5132A	6-53F	102A	6A10622	158	6DC11	5994	6FR80A	5867	6R5PH13BJ7J1	119
5MWJ2CZ47	6086+	5Z59 1I	5132A	6-53G	102A	6A10624	102A	6DG11	5818	6FR80B	5867	6R5PH13BJ8J1	119
5N1	116	5Z59 1J	5132A	6-60A	160	6A10851	123A	6E137N	3087	6FR90-D	5867	6R5PH13BJ9J1	119
5N2	116	5Z59 1K	5133A	6-60B	102A	6A10855	123A	6E4850/66-0001	128	6FR90	5867	6R5PH13BJ10J1	119
5N3	5874	5Z59 1L	5133A	6-60C	160	6A11180	123A	6E4850/66-0002	128	6FR90A	5869	6R5PH13BJ11J1	119
5P05M	5461	5Z59 1M	5133A	6-60D	102A	6A11223	161	6F0393	172A/4105	6FR90B	5869	6R5PH13BJ12J1	119
5P1M	5462	5Z59 1N	5134A	6-60E	190	6A11301	159	6F5	5959	6FR100	5869	6R5PH13BJ13J1	119
5P2	5874	5Z59 1P	5134A	6-60F	190	6A11665	102A	6F5B	5850	6FR100A	5869	6R5PH13BJ14J1	119
5P2M	5463	5Z59 1Q	5134A	6-60F	102A	6A11668	102A	6F5D	5850	6FR100B	5869	6R5PH13BJ15J1	119
5P3	5874	5Z59 1R	5135A	6-60T	160	6A12515	158	6G4	113A	6G4	113A	6R5PH13BJ16J1	119
5P4M	5465	5Z59 1S	5135A	6-60X	160	6A12516	102A	6G4B41	5314+	6G4B41	5314+	6R5PH13BJ17J1	119
5P45M	5440	5Z59 1T	5135A	6-61	102A	6A12517	158	6G8	116	6G8	116	6R5PH13BJ18J1	119
5P5M	5466	5Z59 1U	5135A	6-61A	160	6A12517	109	6G8A175D	5317	6G8A175D	5317	6R5PH13BJ19J1	119
5P6M	5466	5Z59 1V	5136A	6-61B	100	6A12678	100	6GA1750	116	6GA1750	116	6R5PH13BJ20J1	119
5P65M	5440	5Z59 1W	5136A	6-61D	102A	6A12679	108	6G15	5854	6G15	5854	6R5PH13BJ21J1	119
5P50-0181	5592	5Z59 1X	5137A	6-61E	160	6A12680	126A	6G15A	5854	6G15A	5854	6R5PH13BJ22J1	119
5Q3	5981	5Z59 1Y	5137A	6-61F	160	6A12681	123A	6G15B	5854	6G15B	5854	6R5PH13BJ23J1	119
5Q2	54819	5Z59 1Z	5137A	6-61P	102A	6A12682	123A	6G15-D	5854	6G15-D	5854	6R5PH13BJ24J1	119
5Q3S	54819	5Z59 2A	5138A	6-61T	160	6A12683	123A	6G20	5854	6G20	5854	6R5PH13BJ25J1	119
5Q3A	54819	5Z59 2B	5138A	6-61X	102A	6A12684	102A	6G20A	5854	6G20A	5854	6R5PH13BJ26J1	119
5Q3B	54819	5Z59 2C	5138A	6-62	102A	6A12685	102A	6G20B	5854	6G20B	5854	6R5PH13BJ27J1	119
5Q3C	54819	5Z59 2D	5138A	6-62A	102A	6A12686	102A	6G20C	5854	6G20C	5854	6R5PH13BJ28J1	119
5Q3D	54819	5Z59 2E	5138A	6-62B	102A	6A12687	23A	6G20D	5858	6G20D	5858	6R5PH13BJ29J1	119
5Q3E	54819	5Z59 2F	5139A	6-62C	160	6A12729	123A	6G30	5858	6G30	5858	6R5PH13BJ30J1	119
5Q3F	54819	5Z59 2G	5139A	6-62D	102A	6A12729	123A	6G30A	5858	6G30A	5858	6R5PH13BJ31J1	119
5Q3G	54819	5Z59 2H	5139A	6-62E	160	6A12889	160	6G30B	5858	6G30B	5858	6R5PH13BJ32J1	119
5Q3H	54819	5Z59 2I	5140A	6-62F	160	6A12888	154	6G30-D	5858	6G30-D	5858	6R5PH13BJ33J1	

To Be Replaced	ECG Replacement	To Be Replaced	ECG Replacement	To Be Replaced	ECG Replacement	To Be Replaced	ECG Replacement	To Be Replaced	ECG Replacement	To Be Replaced	ECG Replacement	To Be Replaced	ECG Replacement
7-3(Standel)	129	7E1	124	8-697-020-570	123A	8-719-122-03	605A	8-719-901-24	5457	8-729-114-11	37	8-729-309-08	90
7-4	108	7E2	124	8-697-020-571	119	8-719-122-10	805A	8-719-901-39	506	8-729-115-10	459	8-729-309-36	91
7-4(Sarkes)	123A	7E3	124	8-710-222-21	116	8-719-122-21	505A	8-719-901-52	3160	8-729-115-15(DSG)	459	8-729-311-42	94
7-5(Standel)	129	7E4	124	8-719-026-1	107	8-719-122-25	503A	8-719-901-58	506	8-729-117-54	2362	8-729-312-22	2409
7-5	123A	7E5	124	8-719-300-67	147A	8-719-124-07	5031A	8-719-901-63	5028A	8-729-119-76	165	8-729-313-42	54
7-5(Sarkes)	123A	7E6	124	8-719-000-04	591	8-719-124-08	5031A	8-719-901-83	177	8-729-119-76	2362	8-729-313-82	291
7-6	108	7E7	124	8-719-000-05	116	8-719-127-25	5033A	8-719-901-92	552	8-729-119-76	2361	8-729-315-12	152
7-6(Sarkes)	123A	7E8	124	8-719-000-06	590	8-719-133-07	5005A	8-719-901-93	552	8-729-119-80	157	8-729-316-12	152
7-7	108	7E9	113A	8-719-000-08	595	8-719-139-07	5007A	8-719-901-94	552	8-729-122-01	374	8-729-316-16	172
7-7(Sarkes)	123A	7E10	175	8-719-000-28(GAK)	540A	8-719-143-07	5008A	8-719-901-95	552	8-729-122-02	374	8-729-322-78	1516
7-8	108	7E11	196197(CP)	8-719-003-08	545	8-719-147-77	5009A	8-719-901-98	3041*	8-729-122-03	374	8-729-323-82	373
7-8(Sarkes)	123A	7E12	196197(CP)	8-719-003-16	116	8-719-150-07	5010A	8-719-901-99	116	8-729-122-12	374	8-729-325-11	157
7-8(Standel)	168	7E13	5070A	8-719-003-21	5070A	8-719-156-06	5011A	8-719-902-51	3181	8-729-122-63	2407	8-729-326-11	373
7-9	161	7E14	5035A	8-719-100-07	5035A	8-719-156-23	5011A	8-719-902-85	580	8-729-127-54	290A	8-729-326-82	292
7-9(Sarkes)	161	7E15	5008A	8-719-100-22	5008A	8-719-156-25	5011A	8-719-903-03	580	8-729-133-40	54	8-729-331-53	373
7-10	161	7E16	5491	8-719-100-23	5008A	8-719-156-27	5011A	8-719-903-09	558	8-729-133-53	379	8-729-334-58	199
7-10(Sarkes)	161	7E17	5493	8-719-100-29	5010A	8-719-158-39	50191*	8-719-903-29	552	8-729-137-32	379	8-729-336-11	398
7-11(Sarkes)	125	7E18	5495	8-719-100-30	5010A	8-719-160-24	135A	8-719-906-15	506	8-729-139-04	123AP	8-729-341-34	165
7-11(Standel)	125	7E19	5507	8-719-100-31	5010A	8-719-160-44	139A	8-719-906-24	5081A	8-729-140-02	90	8-729-341-93	152
7-12(Standel)	130	7E20	5529	8-719-100-35	5011A	8-719-160-84	5084A	8-719-907-40	552	8-729-140-50	399	8-729-345-41	373
7-13(Standel)	130	7E21	5496	8-719-100-37	5013A	8-719-162-07	5013A	8-719-908-03	116	8-729-140-56	382	8-729-348-42	384
7-14A	129	7E22	5531	8-719-100-38	5013A	8-719-166-07	5014A	8-719-908-06	585	8-729-140-97	383	8-729-354-52	199
7-15(Sarkes)	123A	7E23	113A	8-719-100-43	5015A	8-719-175-07	5015A	8-719-910-15	5020A	8-729-141-98	293	8-729-361-12	152
7-15(Standel)	125	7E24	138A	8-719-100-44	5015A	8-719-175-26	5015A	8-719-910-28	5022A	8-729-140-43	373	8-729-364-12	85
7-16	107	7E25	5076A	8-719-100-55	5018A	8-719-182-07	5016A	8-719-910-65	50111*	8-729-141-83	291*	8-729-364-71	363
7-16(Sarkes)	123A	7E26	5015A	8-719-100-56	5019A	8-719-182-25	5016A	8-719-910-68	50131*	8-729-154-83	374	8-729-364-81	374
7-17	123A	7E27	5014A	8-719-100-57	5019A	8-719-190-00	5031A	8-719-911-06	519	8-729-157-11	315	8-729-366-71	382
7-17(Sarkes)	123A	7E28	5015A	8-719-100-61	5020A	8-719-191-07	5031A	8-719-911-19	519	8-729-159-64	2406	8-729-366-81	373
7-18(Sarkes)	123A	7E29	125	8-719-100-64	5021A	8-719-191-25	5016A	8-719-911-23	580	8-729-162-51	2407	8-729-367-81	394
7-19(Sarkes)	123A	7E30	125	8-719-100-65	5021A	8-719-191-41	116	8-719-911-24	580	8-729-162-54	2407	8-729-373-53	165
7-19(Standel)	124	7E31	125	8-719-100-68	5022A	8-719-200-05	585	8-719-911-55	580	8-729-162-85	2407	8-729-375-52	238
7-20(Sarkes)	123A	7E32	108	8-719-100-72	5024A	8-719-200-10	116	8-719-912-00	605A	8-729-163-93(ECB)	268	8-729-375-02	383
7-21(Sarkes)	161	7E33	123	8-719-100-76	5027A	8-719-200-16	116	8-719-912-54	156	8-729-167-42	107	8-729-375-01	289A
7-22(Sarkes)	161	7E34	102	8-719-100-80	5028A	8-719-200-29	585	8-719-912-55	3167	8-729-167-82	90	8-729-377-12	332
7-23(Sarkes)	161	7E35	102	8-719-100-95	5033A	8-719-205-10	116	8-719-913-54	156	8-729-168-11	36	8-729-377-58	90
7-24(Sarkes)	161	7E36	129A	8-719-101-03	147A	8-719-217-33	152	8-719-918-77	152	8-729-169-81	167	8-729-378-82	203
7-25(Sarkes)	161	7E37	123A	8-719-101-04	5036A	8-719-230-24	580	8-719-920-04	125	8-729-169-82	152	8-729-378-84	91
7-26	108	7E38	123A	8-719-101-07	5038A	8-719-300-09	6240	8-719-921-53	580	8-729-169-82	373	8-729-378-91	315
7-27(Sarkes)	123A	7E39	108	8-719-101-08	5038A	8-719-300-33	580	8-719-923-76	580	8-729-173-13	374	8-729-378-92	315
7-28(Standel)	175	7E40	160	8-719-101-38	5006A	8-719-300-33	580	8-719-923-76	580	8-729-173-36	290A	8-729-379-02	382
7-29	107	7E41	160	8-719-101-39	5006A	8-719-300-38	552	8-719-924-06	552	8-729-173-37	290A	8-729-382-64	196
7-30	222	7E42	103A	8-719-101-41	5007A	8-719-300-45	585	8-719-924-06	552	8-729-177-22	185	8-729-383-03	36
7-31	108	7E43	121	8-719-101-59	5011A	8-719-300-69	6240	8-719-925-26	3151	8-729-177-32	289	8-729-384-48	234
7-32	109	7E44	123A	8-719-101-61	5013A	8-719-300-65	558	8-719-926-06	552	8-729-177-42	382	8-729-386-12	55
7-33	166	7E45	129	8-719-101-67	5015A	8-719-300-70	558	8-719-926-04	580	8-729-177-43	382	8-729-387-28	91*
7-34	123A	7E46	123A	8-719-101-80	5020A	8-719-300-76	552	8-719-926-08	580	8-729-177-53	382	8-729-387-06	85
7-35	107	7E47	123A	8-719-101-82	5021A	8-719-301-01	116	8-719-926-11	507A	8-729-178-54	385	8-729-387-53	385
7-36	108	7E48	130	8-719-101-89	5024A	8-719-301-01	625	8-719-930-12	142A	8-729-178-54	2361	8-729-387-53	89
7-37	108	7E49	123A	8-719-102-4	5013A	8-719-301-18	125	8-719-931-05	135A	8-729-178-55	199*	8-729-389-09	89
7-38	108	7E50	129	8-719-102-47	5022A	8-719-301-64	585	8-719-931-06	5070A	8-729-180-32	179	8-729-389-62	394
7-39	108	7E51	103A	8-719-102-57	5006A	8-719-301-64	506	8-719-931-08	5072A	8-729-180-03	373	8-729-400-81	377*
7-40	108	7E52	123A	8-719-102-58	5006A	8-719-302-00	552	8-719-931-09	139A	8-729-180-33	373	8-729-400-82	377*
7-41	108	7E53	129	8-719-102-60	5007A	8-719-302-06	552	8-719-931-10	140A	8-729-180-23	184	8-729-422-71	2369
7-42	108	7E54	123A	8-719-102-61	5007A	8-719-302-43	587	8-719-931-12	142A	8-729-184-12	399	8-729-423-33	2362
7-43	108	7E55	108	8-719-102-64	5009A	8-719-302-44	552	8-719-931-13	143A	8-729-194-58	85	8-729-423-33	2361
7-44	108	7E56	130MP	8-719-102-67	5010A	8-719-302-98	577	8-719-931-14	144A	8-729-195-23	230A	8-729-423-37	2361
7-45	160	7E57	160	8-719-102-68	5010A	8-719-303-21	552	8-719-931-15	145A	8-729-195-82	382	8-729-424-00	158
7-46	126A	7E58	160	8-719-102-69	5010A	8-719-303-49	570	8-719-931-16	5075A	8-729-199-82	2428	8-729-424-53	158
7-47	5675	7E59	102A	8-719-102-70	5011A	8-719-303-62	116	8-719-931-20	580	8-729-199-82	2428	8-729-425-04	284
7-48	5675	7E60	102A	8-719-102-71	5011A	8-719-306-07	583*	8-719-931-22	5090A	8-729-200-17(ECB)	268	8-729-425-04	284
7-49	5675	7E61	102A	8-719-102-72	5011A	8-719-305-15	558	8-719-931-24	5081A	8-729-201-26	2408	8-729-425-04	284
7-50	5675	7E62	102A	8-719-102-73	5013A	8-719-305-45	116	8-719-931-29	5084A	8-729-201-32	32	8-729-425-04	284
7-51	5651	7E63	102A	8-719-102-74	5013A	8-719-308-72	331	8-719-933-13	588	8-729-201-52	289A	8-729-425-04	284
7-52	5642	7E64	102A	8-719-102-76	5014A	8-719-311-31	552	8-719-933-18	5072A	8-729-201-82	2308	8-729-425-04	284
7-53	5642	7E65	102A	8-719-102-82	5015A	8-719-311-72	5330	8-719-936-05	5009A	8-729-201-78	377*	8-729-425-04	284
7-54	5801	7E66	123A	8									

Table with 16 columns: To Be Replaced, ECG Replacement, To Be Replaced, ECG Replacement, To Be Replaced, ECG Replacement, To Be Replaced, ECG Replacement, To Be Replaced, ECG Replacement, To Be Replaced, ECG Replacement, To Be Replaced, ECG Replacement, To Be Replaced, ECG Replacement. Rows list various semiconductor part numbers and their corresponding ECG replacement part numbers.

♦, #, @, *, +, † - See Special Notes on Page 2-2

To Be Replaced	ECG Replacement	To Be Replaced	ECG Replacement	To Be Replaced	ECG Replacement	To Be Replaced	ECG Replacement	To Be Replaced	ECG Replacement	To Be Replaced	ECG Replacement	To Be Replaced	ECG Replacement
8P40	104	9-5203	102A	9H30PC	74H30	9LS08PC	74LS08	9LS125PC	74LS125A	9LS279	74LS279	9NS4PC	7454
8P50S	131	9-5204	102A	9H40	74H40	9LS09	74LS09	9LS132	74LS132	9LS279DC	74LS279	9NS60	7460
8P73BLU	152	9-5208	102A	9H40DC	74H40	9LS09C	74LS09C	9LS132C	74LS132C	9LS279DCP	74LS279	9NS60DC	7460
8P73GRN	152	9-5209	102A	9H40PC	74H40	9LS09C	74LS09C	9LS132C	74LS132C	9LS279DCP	74LS279	9NS60PC	7460
8P75	152	9-5210	102A	9H50	74H50	9LS10	74LS10	9LS132C	74LS132C	9LS279DCP	74LS279	9NS70	7470
8P111	112	9-5212	102A	9H50DC	74H50	9LS10C	74LS10C	9LS133	74LS133	9LS288	74LS288	9NS70DC	7470
8P202	131	9-5214	102A	9H50PC	74H50	9LS10C	74LS10C	9LS133	74LS133	9LS288	74LS288	9NS70DC	7470
8P345	152	9-5216	123A	9H51	74H51	9LS11	74LS11	9LS133D	74LS133D	9LS288PC	74LS288	9NS72	7472
8P404	104	9-5217	102A	9H51DC	74H51	9LS11DC	74LS11	9LS133DC	74LS133	9LS295A	74LS295A	9NS72DC	7472
8P404B	121	9-5218	102A	9H51PC	74H51	9LS11DC	74LS11	9LS133DC	74LS133	9LS295ABD	74LS295A	9NS72PC	7472
8P404F	104	9-5220	128	9H52	74H52	9LS14	74LS14	9LS133DC	74LS133	9LS295AD	74LS295A	9NS73	7473
8P404M	121	9-5221	123A	9H52DC	74H52	9LS14DC	74LS14	9LS133DC	74LS133	9LS295ADC	74LS295A	9NS73DC	7473
8P404N	104	9-5222-1	102A	9H52PC	74H52	9LS14PC	74LS14	9LS133DC	74LS133	9LS295AD	74LS295A	9NS73PC	7473
8P404ORN	104	9-5222-2	102A	9H52PC	74H52	9LS14PC	74LS14	9LS133DC	74LS133	9LS295APC	74LS295A	9NS73PC	7473
8P404R	121	9-5223	108	9H53DC	74H53	9LS15	74LS15	9LS133DC	74LS133	9LS298	74LS298	9NS74DC	7474
8P404T	131	9-5224-1	102A	9H53PC	74H53	9LS15PC	74LS15	9LS133DC	74LS133	9LS298DC	74LS298	9NS74DC	7474
8P404V	121	9-5224-2	103A	9H54	74H54	9LS20	74LS20	9LS138PC	74LS138	9LS298PC	74LS298	9NS76	7476
8P415C	121	9-5225	123A	9H54DC	74H54	9LS20DC	74LS20	9LS138	74LS138	9LS298PC	74LS298	9NS76DC	7476
8P416C	121	9-5226-003	129	9H54PC	74H54	9LS20PC	74LS20	9LS138DC	74LS138	9LS298PC	74LS298	9NS76PC	7476
8P445	153	9-5226-004	128	9H55	74H55	9LS21	74LS21	9LS138DC	74LS138	9LS298PC	74LS298	9NS76PC	7476
8P505	131	9-5226-1	129	9H55DC	74H55	9LS21DC	74LS21	9LS138DC	74LS138	9LS298PC	74LS298	9NS76PC	7476
8P880	105	9-5226-2	123A	9H55PC	74H55	9LS21PC	74LS21	9LS138DC	74LS138	9LS298PC	74LS298	9NS76PC	7476
8P880B	105	9-5226-3	129	9H55PC	74H55	9LS21PC	74LS21	9LS138DC	74LS138	9LS298PC	74LS298	9NS76PC	7476
8P1855	175	9-5226-4	128	9H60DC	74H60	9LS22	74LS22	9LS138DC	74LS138	9LS298PC	74LS298	9NS76PC	7476
8P9253	153	9-5227	123A	9H60PC	74H60	9LS22PC	74LS22	9LS151PC	74LS151	9LS368	74LS368	9NS77DC	7477
8P950	121	9-5250-1	121MP	9H61DC	74H61	9LS27	74LS27	9LS368	74LS368	9NS77DC	7477	9NS77DC	7477
8Q-000003-11	234	9-5251	121	9H61PC	74H61	9LS27PC	74LS27	9LS368	74LS368	9NS77DC	7477	9NS77DC	7477
8Q-3-14	103A	9-5252	124	9H62	74H62	9LS28	74LS28	9LS368	74LS368	9NS77DC	7477	9NS77DC	7477
8Q-3-0	199	9-5252-1	124	9H62DC	74H62	9LS28DC	74LS28	9LS368	74LS368	9NS77DC	7477	9NS77DC	7477
8Q-3-11	159	9-5252-2	124	9H62PC	74H62	9LS28PC	74LS28	9LS368	74LS368	9NS77DC	7477	9NS77DC	7477
8Q-3-13	128	9-5252-3	124	9H71	74H71	9LS30	74LS30	9LS368	74LS368	9NS77DC	7477	9NS77DC	7477
8Q-3-14	159	9-5252-4	124	9H71DC	74H71	9LS30DC	74LS30	9LS368	74LS368	9NS77DC	7477	9NS77DC	7477
8Q-3-23	159	9-5257	121MP	9H71PC	74H71	9LS30PC	74LS30	9LS368	74LS368	9NS77DC	7477	9NS77DC	7477
8RCM5	504	9-9106	160	9H71DC	74H71	9LS30PC	74LS30	9LS368	74LS368	9NS77DC	7477	9NS77DC	7477
8RCM20	5504	9-9107	126A	9H72DC	74H72	9LS32DC	74LS32	9LS368	74LS368	9NS77DC	7477	9NS77DC	7477
8RCV5	5501	9-9108	126A	9H72PC	74H72	9LS32PC	74LS32	9LS368	74LS368	9NS77DC	7477	9NS77DC	7477
8RCV20	5504	9-9109	126A	9H73	74H73	9LS33	74LS33	9LS368	74LS368	9NS77DC	7477	9NS77DC	7477
8T04A	5629	9-9104	102A	9H73DC	74H73	9LS33DC	74LS33	9LS368	74LS368	9NS77DC	7477	9NS77DC	7477
8T04HA	5629	9-9105	160	9H73PC	74H73	9LS33PC	74LS33	9LS368	74LS368	9NS77DC	7477	9NS77DC	7477
8T14A	5629	9-9106	160	9H74	74H74	9LS37	74LS37	9LS368	74LS368	9NS77DC	7477	9NS77DC	7477
8T14HA	5629	9-9107	160	9H74DC	74H74	9LS37DC	74LS37	9LS368	74LS368	9NS77DC	7477	9NS77DC	7477
8T22A	5629	9-9108	160	9H74PC	74H74	9LS37PC	74LS37	9LS368	74LS368	9NS77DC	7477	9NS77DC	7477
8T24A	5629	9-9109-1	123A	9H75	74H75	9LS37C	74LS37C	9LS368	74LS368	9NS77DC	7477	9NS77DC	7477
8T24HA	5629	9-9109-2	123A	9H75DC	74H75	9LS37DC	74LS37	9LS368	74LS368	9NS77DC	7477	9NS77DC	7477
8T26	6880	9-9120	160	9H76PC	74H76	9LS38	74LS38	9LS368	74LS368	9NS77DC	7477	9NS77DC	7477
8T26A	6880	9-9121	160	9H76PC	74H76	9LS38DC	74LS38	9LS368	74LS368	9NS77DC	7477	9NS77DC	7477
8T28	6889	9-9201	102A	9H78DC	74H78	9LS38PC	74LS38	9LS368	74LS368	9NS77DC	7477	9NS77DC	7477
8T34A	5629	9-9201	102A	9H78DC	74H78	9LS38PC	74LS38	9LS368	74LS368	9NS77DC	7477	9NS77DC	7477
8T34HA	5629	9-9202	102A	9H78PC	74H78	9LS38PC	74LS38	9LS368	74LS368	9NS77DC	7477	9NS77DC	7477
8T44A	5629	9-9203	102A	9H78PC	74H78	9LS38PC	74LS38	9LS368	74LS368	9NS77DC	7477	9NS77DC	7477
8T44HA	5629	9-9203	102A	9H78PC	74H78	9LS38PC	74LS38	9LS368	74LS368	9NS77DC	7477	9NS77DC	7477
8T95	6889	9-9203	102A	9H78PC	74H78	9LS38PC	74LS38	9LS368	74LS368	9NS77DC	7477	9NS77DC	7477
8T96	6886	9-9203	102A	9H78PC	74H78	9LS38PC	74LS38	9LS368	74LS368	9NS77DC	7477	9NS77DC	7477
8T97	6887	9-9203	102A	9H78PC	74H78	9LS38PC	74LS38	9LS368	74LS368	9NS77DC	7477	9NS77DC	7477
8T98	6889	9-9203	102A	9H78PC	74H78	9LS38PC	74LS38	9LS368	74LS368	9NS77DC	7477	9NS77DC	7477
8T245	74LS245	9A02(MOT)	746	9H103DC	74H103	9LS51	74LS51	9LS164DC	74LS164	9NS77DC	7477	9NS77DC	7477
8T060	6090	9A1	358	9H103PC	74H103	9LS51DC	74LS51	9LS164DC	74LS164	9NS77DC	7477	9NS77DC	7477
8ZB1(Zener)	5016A	9A8-1A54	160	9H106	74H106	9LS51PC	74LS51	9LS164DC	74LS164	9NS77DC	7477	9NS77DC	7477
8Z7(Zener)	5016A	9B181K	1V115	9H106DC	74H106	9LS54	74LS54	9LS164DC	74LS164	9NS77DC	7477	9NS77DC	7477
8Z75	5016A	9B201K	1V150	9H108	74H108	9LS54DC	74LS54	9LS164DC	74LS164	9NS77DC	7477	9NS77DC	7477
8Z750Z	100	9B391K	1V250	9H108DC	74H108	9LS54PC	74LS54	9LS164DC	74LS164	9NS77DC	7477	9NS77DC	7477
9-003	107	9B820K	1V050	9H108PC	74H108	9LS54PC	74LS54	9LS164DC	74LS164	9NS77DC	7477	9NS77DC	7477
9-006	123A	9D11	177	9L4	102A	9LS55	74LS55	9LS164DC	74LS164	9NS77DC	7477	9NS77DC	7477
9-050-29	126A	9D12	109	9L4-70	102A	9LS55DC	74LS55	9LS164DC	74LS164	9NS77DC	7477	9NS77DC	7477
9-759-700-81	955M	9D13	116	9L4-70-12	102A	9LS55DC	74LS55	9LS164DC	74LS164	9NS77DC	7477	9NS77DC	7477
9-759-700-82	978	9D14	177	9L4-70-12-7	102A	9LS55DC	74LS55	9LS164DC	74LS164	9NS77DC	7477	9NS77DC	7477
9-900-615-01	382	9D15	139A	9L4A	102A	9LS55DC	74LS55	9LS164DC	74LS164	9NS77DC	7477	9NS77DC	7477
9-900-816-01	583	9D16	102A	9L4A-70	102A	9LS55DC	74LS55	9LS164DC	74LS164	9NS77DC	7477	9NS77DC	7477
9-900-817-01	513	9D17	102A	9L4A-70-12	102A	9LS55DC	74LS55	9LS164DC	74LS164	9NS77DC	7477	9NS77DC	7477
9-900-818-01	116	9D18	102A	9L4A-70-12-7	102A	9LS55DC	74LS55	9LS164DC	74LS164	9NS77DC	7477	9NS77DC	7477
9-900-819-01	50244A	9D19	177	9L4A-70-12-7	102A	9LS55DC	74LS55	9LS164DC	74LS164	9NS77DC	7477	9NS77DC	7477
9-900-930-01	552	9D2	109	9L4A2	102A	9LS74	74LS74	9LS181DC	74LS181	9NS77DC	7477	9NS77DC	7477
9-900-931-01	552	9D3	177	9L4A3	102A	9LS74DC	74LS74	9LS181DC	74LS181	9NS77DC	7477	9NS77DC	7477
9-901-371-01	615A	9D4	109	9L4A3P	102A	9LS74DC	74LS74	9LS181DC	74LS181	9NS77DC	7477	9NS77DC	7477
9-901-385-01	2418	9D5	109	9L4A3P	102A	9LS74DC	74LS74	9LS181DC	74LS181	9NS77DC	7477	9NS77DC	7477
9-9													

To Be Replaced	ECG Replacement	To Be Replaced	ECG Replacement	To Be Replaced	ECG Replacement	To Be Replaced	ECG Replacement	To Be Replaced	ECG Replacement	To Be Replaced	ECG Replacement	To Be Replaced	ECG Replacement
9TR91001-09	130	10C8	125	10DL2C41A	6240	10M17Z5	5193A	10PZ12A	5188A	10PZ130D	5224A	10RZ22A	5197AK
9TR21001-02	123A	10C10	125	10DL2C2	6240#	10M17Z10	5193A	10PZ12B	5188A	10PZ150	5226A	10RZ22B	5197AK
9.0B2(Zener)	5018A	10C373	108	10DL2C241A	6240#	10M18Z	5194A	10PZ12C	5188A	10PZ150A	5226A	10RZ22C	5197AK
9.1B(Zener)	5018A	10C374	108	10DL2CZ47	6240#	10M19Z5	5194A	10PZ12D	5188A	10PZ150B	5226A	10RZ22D	5197AK
9.1B3(Zener)	5018A	10C42SM	6240#	10DC05	115	10M19Z10	5194A	10PZ13	5189A	10PZ150C	5226A	10RZ23	5198AK
9.1B3(Zener)	5018A	10C12C	6240	10DC0C	116	10M19Z25	5195A	10PZ13A	5189A	10PZ150D	5226A	10RZ24A	5198AK
9.1N3(Zener)	5018A	10C12C41	6240	10DQ03	116	10M20	5196A	10PZ13B	5189A	10PZ160	5227A	10RZ24B	5198AK
9.1Z(Zener)	5018A	10C12C41A	6240	10DQ03	116	10M20T5	5196A	10PZ13C	5189A	10PZ160A	5227A	10RZ24C	5198AK
10-001	1254	10C12CZ	6240#	10DQ03	116	10M22Z5	5197A	10PZ13D	5189A	10PZ160B	5227A	10RZ24D	5198AK
10-002	229	10C12CZ41A	6240#	10DQ03	116	10M24Z5	5198A	10PZ14	5190A	10PZ160C	5227A	10RZ27	5200AK
10-003	319	10C12CZ47	6240#	10DQ03	116	10M29Z	5199A	10PZ14A	5190A	10PZ160D	5227A	10RZ27A	5200AK
10-004	192	10C12C	6240	10DQ03	116	10M30	5199A	10PZ14B	5190A	10PZ160E	5227A	10RZ27B	5200AK
10-005	312	10C12C	6240	10DQ03	116	10M32	5199A	10PZ14C	5190A	10PZ160F	5227A	10RZ27C	5200AK
10-006	295	10C12C	6241	10DQ03	116	10M35	5199A	10PZ14D	5190A	10PZ160G	5227A	10RZ27D	5200AK
10-007	235	10C12C	6241	10DQ03	116	10M30Z5	5200A	10PZ15	5191A	10PZ160H	5227A	10RZ30	5202AK
10-008	289A	10D	116	10E1LF	116	10M30Z5	5202A	10PZ15A	5191A	10PZ160I	5227A	10RZ30A	5202AK
10-009	186A	10D(ZENER)	5019T1	10E2	116	10M33Z5	5203A	10PZ15B	5191A	10PZ200	5232A	10RZ30B	5202AK
10-06-1005	2062	10D02	116	10E2	552	10M36Z5	5204A	10PZ15C	5191A	10PZ200A	5232A	10RZ30C	5202AK
10-010	177	10D05	116	10E2-TA2B	116	10M39Z5	5205A	10PZ15D	5191A	10PZ200B	5232A	10RZ30D	5202AK
10-011	519	10D05	116	10E2V	116	10M39Z10	5174A	10PZ15E	5192A	10PZ200C	5232A	10RZ30E	5203AK
10-012	116	10D06	116	10E4	116	10M40	5205A	10PZ15F	5192A	10PZ200D	5232A	10RZ30F	5203AK
10-013	139A	10D06	5072A	10E4A	552	10M43Z5	5206A	10PZ15G	5192A	10PZ200E	5232A	10RZ30G	5203AK
10-014	229	10D1	116	10E4B	552	10M47Z5	5208A	10PZ15H	5192A	10PZ200F	5232A	10RZ30H	5203AK
10-015	814	10D1	116	10E4D	116	10M50	5209A	10PZ15I	5192A	10PZ200G	5232A	10RZ30I	5203AK
10-016	136A	10D1	116	10E4L	116	10M50Z5	5209A	10PZ16	5194A	10PZ200H	5232A	10RZ36	5204AK
10-017	138A	10D2	116	10E6	116	10M51Z5	5210A	10PZ18A	5194A	10PZ200I	5232A	10RZ36A	5204AK
10-018	139A	10D2(Crown)	506	10E8	125	10M56Z5	5212A	10PZ18B	5194A	10PZ200J	5232A	10RZ36B	5204AK
10-030710	123A	10D2(Crown)	506	10E10	125	10M60	5214A	10PZ18C	5194A	10PZ200K	5232A	10RZ36C	5204AK
10-08009	109	10D2(Dampen)	506	10E10FA-8	125	10M62Z5	5214A	10PZ18D	5194A	10PZ200L	5232A	10RZ36D	5204AK
10-08010	123A	10D2B	116	10E10FA-1A	125	10M63Z5	5215A	10PZ18E	5194A	10PZ200M	5232A	10RZ36E	5204AK
10-08500	108	10D2B	116	10E10	125	10M75Z5	5218A	10PZ18F	5194A	10PZ200N	5232A	10RZ36F	5204AK
10-08504	110MP	10D2B-4	506	10E10B1	140A	10M80	5219A	10PZ18G	5194A	10PZ200O	5232A	10RZ36G	5204AK
10-08505	177	10D2L	116	10E11	552	10M82Z5	5217A	10PZ20C	5196A	10PZ200P	5232A	10RZ36H	5205AK
10-08506	116	10D2X4	116	10E12	552	10M91Z5	5219A	10PZ20D	5196A	10PZ200Q	5232A	10RZ36I	5205AK
10-08509	116	10D3	116	10E1	116	10M100	6002	10PZ22	5197A	10PZ200R	5232A	10RZ36J	5206AK
10-08510	116	10D3G	110	10E1S1	597	10M100Z5	5220A	10PZ22A	5197A	10PZ200S	5232A	10RZ36K	5206AK
10-08525	109	10D4	116	10E1S2	597	10M105Z5	5221A	10PZ22B	5197A	10PZ200T	5232A	10RZ36L	5206AK
10-08526	109	10D4	116	10E1S4	597	10M110Z5	5222A	10PZ22C	5197A	10PZ200U	5232A	10RZ36M	5206AK
10-08527	139A	10D4	116	10E1S5	597	10M115Z5	5223A	10PZ22D	5197A	10PZ200V	5232A	10RZ36N	5206AK
10-1(RECT)	116	10D4B	125	10E1S6	597	10M130Z5	5224A	10PZ24	5198A	10PZ200W	5232A	10RZ36O	5206AK
10-1(TRANSISTOR)	181	10D4C	116	10E1S6TA1	552	10M140Z5	5225A	10PZ24A	5198A	10PZ200X	5232A	10RZ36P	5206AK
10-2	126	10D4D	116	10E1	116	10M150Z5	5228A	10PZ24B	5198A	10PZ200Y	5232A	10RZ36Q	5206AK
10-2SA49	126A	10D4E	116	10E5	597A	10M160Z5	5227A	10PZ24C	5198A	10PZ200Z	5232A	10RZ36R	5206AK
10-2SB54	102A	10D4L	116	10E50	592A	10M275	5200A	10PZ24D	5198A	10PZ200A	5232A	10RZ36S	5206AK
10-2SB56	102A	10D5	116	10E50	592A	10M275	5200A	10PZ27	5200A	10PZ200B	5232A	10RZ36T	5206AK
10-2SA80	109	10D5A	506	10E50	592A	10M275	5200A	10PZ27A	5200A	10PZ200C	5232A	10RZ36U	5206AK
10-2SA84	109	10D5B	116	10E50	592A	10M275	5200A	10PZ27B	5200A	10PZ200D	5232A	10RZ36V	5206AK
10-2SC350	107	10D5C	506	10E50	592A	10M275	5200A	10PZ27C	5200A	10PZ200E	5232A	10RZ36W	5206AK
10-7	116	10D5E	116	10E50	592A	10M275	5200A	10PZ27D	5200A	10PZ200F	5232A	10RZ36X	5206AK
10-13-002-003	130	10D5F	116	10E50	592A	10M275	5200A	10PZ27E	5200A	10PZ200G	5232A	10RZ36Y	5206AK
10-13-002-004	130	10D5G	116	10E50	592A	10M275	5200A	10PZ27F	5200A	10PZ200H	5232A	10RZ36Z	5206AK
10-13-002-3	130	10D5H	116	10E50	592A	10M275	5200A	10PZ27G	5200A	10PZ200I	5232A	10RZ36A	5206AK
10-13-002-4	130	10D5I	116	10E50	592A	10M275	5200A	10PZ27H	5200A	10PZ200J	5232A	10RZ36B	5206AK
10-13-002-5	130	10D5J	116	10E50	592A	10M275	5200A	10PZ27I	5200A	10PZ200K	5232A	10RZ36C	5206AK
10-13-002-6	130	10D5K	116	10E50	592A	10M275	5200A	10PZ27J	5200A	10PZ200L	5232A	10RZ36D	5206AK
10-13-002-7	130	10D5L	116	10E50	592A	10M275	5200A	10PZ27K	5200A	10PZ200M	5232A	10RZ36E	5206AK
10-13-002-8	130	10D5M	116	10E50	592A	10M275	5200A	10PZ27L	5200A	10PZ200N	5232A	10RZ36F	5206AK
10-13-002-9	130	10D5N	116	10E50	592A	10M275	5200A	10PZ27M	5200A	10PZ200O	5232A	10RZ36G	5206AK
10-13-002-10	130	10D5O	116	10E50	592A	10M275	5200A	10PZ27N	5200A	10PZ200P	5232A	10RZ36H	5206AK
10-13-002-11	130	10D5P	116	10E50	592A	10M275	5200A	10PZ27O	5200A	10PZ200Q	5232A	10RZ36I	5206AK
10-13-002-12	130	10D5Q	116	10E50	592A	10M275	5200A	10PZ27P	5200A	10PZ200R	5232A	10RZ36J	5206AK
10-13-002-13	130	10D5R	116	10E50	592A	10M275	5200A	10PZ27Q	5200A	10PZ200S	5232A	10RZ36K	5206AK
10-13-002-14	130	10D5S	116	10E50	592A	10M275	5200A	10PZ27R	5200A	10PZ200T	5232A	10RZ36L	5206AK
10-13-002-15	130	10D5T	116	10E50	592A	10M275	5200A	10PZ27S	5200A	10PZ200U	5232A	10RZ36M	5206AK
10-13-002-16	130	10D5U	116	10E50	592A	10M275	5200A	10PZ27T	5200A	10PZ200V	5232A	10RZ36N	5206AK
10-13-002-17	130	10D5V	116	10E50	592A	10M275	5200A	10PZ27U	5200A	10PZ200W	5232A	10RZ36O	5206AK
10-13-002-18	130	10D5W	116	10E50	592A	10M275	5200A	10PZ27V	5200A	10PZ200X	5232A	10RZ36P	5206AK
10-13-002-19	130	10D5X	116	10E50	592A	10M275	5200A	10PZ27W	5200A	10PZ200Y	5232A	10RZ36Q	5206AK
10-13-002-20	130	10D5Y	116	10E50	592A	10M275	5200A	10PZ27X	5200A	10PZ200Z	5232A	10RZ36R	5206AK
10-13-002-21	130	10D5Z	116	10E50	592A	10M275	5200A	10PZ27Y	5200A	10PZ200A	5232A	10RZ36S	5206AK
10-13-002-22	130	10D5A	116	10E50	592A	10M275	5200A	10PZ27Z	5200A	10PZ200B	5232A	10RZ36T	5206AK
10-13-002-23	130	10D5B	116	10E50	592A	10M275	5200A	10PZ27A	5200A	10PZ200C			

To Be Replaced	ECG Replacement	To Be Replaced	ECG Replacement	To Be Replaced	ECG Replacement	To Be Replaced	ECG Replacement	To Be Replaced	ECG Replacement	To Be Replaced	ECG Replacement		
10T6.8RA	5181AK	10T56A	5212A	10Z8 2T5	5180AK	11C1061	124	12-1-180	100	12C05	5870	12FLR5S02	5819
10T6.8RB	5181AK	10T56B	5212A	10Z8 2T10	5180AK	11C11B1	124	12-1-184	102A	12C06F	5871	12FLR5S05	5819
10T7.5	5182A	10T56R	5212AK	10Z8 2T20	5180AK	11C14A	9745	12-1-186	100	12C07(Zener)	5022A	12FLR5S10	5819
10T7.5A	5182A	10T56RA	5212AK	10Z8 8T5	5181AK	11C55	9745	12-1-189	126A	12C2	116	12FLR10	5819
10T7.5B	5182A	10T56RB	5212AK	10Z8 8T10	5181AK	11C551	108	12-1-190	160	12C2(Zener)	5021A	12FLR10S	5819
10T7.5R	5182AK	10T56R	5212A	10Z8 8T20	5181AK	11C553	108	12-1-191	102A	12C2P-114	1466	12FLR10S02	5819
10T7.5RB	5182AK	10T56B	5212A	10Z7 5T10	5182AK	11C55	108	12-1-227	102A	12C3	5874	12FLR10S10	5819
10T8.2	5183A	10T83R	5214AK	10Z7 5T20	5182AK	11C1053	108	12-1-228	180	12C10R	5875	12FLR20	5819
10T8.2A	5183A	10T83RA	5214AK	10Z8 2T5	5183AK	11C1057	108	12-1-229	160	12C10R	5874	12FLR20S	5819
10T8.2B	5183A	10T83RB	5214AK	10Z8 2T10	5183AK	11C1536	128	12-1-230	160	12C15R	5875	12FLR20S02	5819
10T8.2R	5183AK	10T83R	5215A	10Z8 2T20	5183AK	11DF1	587	12-1-231	160	12C20	5874	12FLR20S05	5819
10T9.1	5185A	10T88R	5215A	10Z9 1T5	5185AK	11DF2	587	12-1-232	102A	12C20R	5875	12FLR20S10	5819
10T9.1A	5185A	10T88RA	5215A	10Z9 1T10	5185AK	11DF3	576	12-1-233	160	12C30	5878	12FLR40	5819
10T9.1B	5185A	10T88RB	5215A	10Z9 1T20	5185AK	11DF4	576	12-1-234	102A	12C30R	5879	12FLR40S	5819
10T9.1RB	5185AK	10T88R	5215A	10Z9 1T5	5185A	11DQ03	585	12-1-235	100	12C40	5878	12FLR40S02	5821
10T9.1R	5185A	10T88RB	5215AK	10Z10T5	5185AK	11DQ04	585	12-1-236	100	12C40R	5879	12FLR40S05	5821
10T9.1RA	5185AK	10T88B	5216A	10Z10T10	5185AK	11DQ06	578	12-1-241	100	12C50R	5883	12FLR60	5823
10T9.1RB	5185AK	10T88B	5216A	10Z11T5	5187AK	11DQ09	578	12-1-242	126A	12C60	5882	12FLR60S	5823
10T9.1R	5185A	10T88B	5216AK	10Z11T10	5187AK	11E1	578	12-1-243	126A	12C60R	5883	12FLR60S02	5823
10T9.1RA	5185AK	10T88B	5216AK	10Z11T20	5187AK	11E1TA1	116	12-1-244	126A	12C70	5886	12FLR60S05	5823
10T9.1RB	5185AK	10T88B	5216AK	10Z12	5188A	11E1TA1-T	116	12-1-246	102A	12C70R	5887	12FLR60S10	5823
10T9.1R	5185A	10T88B	5217A	10Z12T5	5188AK	11E2	116	12-1-254	100	12C80	5886	12FLR60S05	5823
10T9.1RA	5186AK	10T82A	5217A	10Z12T10	5188AK	11E2TA1	116	12-1-256	160	12C90R	5887	12FLR80S10	5825
10T9.1RB	5186AK	10T82B	5217A	10Z12T20	5188AK	11E2	116	12-1-257	126A	12C90	5890	12FLR100S05	5825
10T10	5189A	10T82R	5217A	10Z13T5	5189AK	11EF1	587	12-1-258	160	12C90R	5874	12FLR100S10	5825
10T10A	5189A	10T82RA	5217AK	10Z13T10	5189AK	11EF2	587	12-1-259	160	12C100	5890	12FR5	5871
10T10B	5189A	10T82RB	5217AK	10Z13T20	5189AK	11EF3	576	12-1-260	160	12C100R	5891	12FR5A	5871
10T10R	5189AK	10T82R	5219A	10Z15T5	5191AK	11EF4	576	12-1-266	102A	12-CAM	159	12FR5B	5871
10T10RA	5189AK	10T82R	5219A	10Z15T10	5191AK	11EFS1	588	12-1-267	102A	12CC-12	5882	12FR10	5875
10T10RB	5189AK	10T82R	5219A	10Z15T20	5191AK	11EFS2	588	12-1-270	121	12CC12	5944	12FR10A	5875
10T12	5188A	10T91R	5219AK	10Z16T5	5192AK	11EFS3	576	12-1-271	121	12CC12	5945	12FR10B	5875
10T12A	5188A	10T91RA	5219AK	10Z16T10	5192AK	11EFS4	578	12-1-272	102A	12CF11	5887	12FR115	5875
10T12B	5188A	10T91RB	5219AK	10Z16T20	5192AK	11E5	578	12-1-273	100	12CF12	6246#	12FR15B	5875
10T12R	5188AK	10T91R	5220A	10Z17T5	5194AK	11E00A	578	12-1-274	100	12CF12A	6246#	12FR20	5875
10T12RA	5188AK	10T91A	5220A	10Z18T10	5194AK	11E005	578	12-1-275	100	12CL2C41	6246#	12FR20S	5875
10T12RB	5188AK	10T91B	5220A	10Z18T20	5194AK	11E006	578	12-1-276	123A	12CLN	123A	12FR20A	5875
10T13	5189A	10T100R	5220AK	10Z20T5	5196AK	11E009	578	12-1-277	123A	12CQ030	6085	12FR20B	5875
10T13A	5189A	10T100RA	5220AK	10Z20T10	5196AK	11E003	585	12-1-278	123A	12CQ035	6085	12FR30	5879
10T13B	5189AK	10T100RB	5220AK	10Z20T20	5196AK	11EQS04	585	12-1-279	123A	12CQ040	6085	12FR30A	5879
10T13R	5189AK	10T110	5222A	10Z22T5	5197AK	11EQS05	578	12-1-289	100	12CQ045	6087	12FR30B	5879
10T13RA	5189AK	10T110A	5222A	10Z22T10	5197AK	11EQS06	578	12-1A	123A	12CZP-114	116	12FR40	5879
10T13RB	5189AK	10T110B	5222A	10Z22T20	5197AK	11EQS09	578	12-1A0	123A	12D2500	4648	12FR40A	5879
10T15	5191A	10T110R	5222AK	10Z24T5	5198AK	11E2TA1	116	12-1A1	123A	12D30	6007	12FR40B	5879
10T15A	5191A	10T110RA	5222AK	10Z24T10	5198AK	11E3TA1	116	12-1A2	123A	12DH11	6007	12FR50	5883
10T15B	5191A	10T110RB	5222AK	10Z24T20	5198AK	11E3	116	12-1A3	123A	12DL2C41	6246#	12FR50A	5883
10T15R	5191AK	10T120	5223A	10Z27T5	5200AK	11F15C	5875	12-1A3	123A	12F5	5870	12FR50B	5883
10T15RA	5191AK	10T120A	5223A	10Z27T10	5200AK	11F25C	5875	12-1A3P	123A	12F5A	5870	12FR60	5883
10T15RB	5191AK	10T120B	5223A	10Z27T20	5200AK	11F35C	5875	12-1A4	123A	12F5B	5870	12FR60A	5883
10T16	5192A	10T120R	5223AK	10Z30T5	5202A	11J2	116	12-1A4-7B	123A	12F10	5874	12FR60B	5883
10T16A	5192A	10T120RA	5223AK	10Z30T10	5202A	11J2F	116	12-1A5	123A	12F10A	5874	12FR70B	5887
10T16B	5192A	10T120RB	5223AK	10Z30T20	5202A	11N1	5021A	12-1A5	123A	12F10B	5874	12FR70	5887
10T16R	5192AK	10T130	5224A	10Z33T5	5203AK	11N2470	576	12-1A6	123A	12F15	5874	12FR80A	5887
10T16RA	5192AK	10T130A	5224A	10Z33T10	5203AK	11ORX60	576	12-1A6	123A	12F15A	5874	12FR80B	5887
10T16RB	5192AK	10T130B	5224A	10Z33T20	5203AK	11R055	5870	12-1A6A	123A	12F15B	5874	12FR90	5891
10T16R	5194A	10T130R	5224AK	11-0068	87	11R15	5874	12-1A7	123A	12F20	5874	12FR90A	5891
10T18A	5194A	10T130RA	5224AK	11-0074	88	11R15C	5874	12-1A7-1	123A	12F20A	5874	12FR90B	5891
10T18B	5194A	10T130RB	5224AK	11-0148	35	11R25	5874	12-1A8	123A	12F20B	5874	12FR100	5891
10T18R	5194AK	10T150	5225A	11-0149	54	11R25C	5874	12-1A9	123A	12F30	5878	12FR100A	5891
10T18RA	5194AK	10T150A	5225A	11-0399	121	11R35	5878	12-1A9B	123A	12F30A	5878	12FR100B	5891
10T18RB	5194AK	10T150B	5225A	11-0402	121	11R35C	5878	12-1A9C	123A	12F30B	5878	12FR110B	5891
10T18R	5196A	10T150R	5226AK	11-0422	289A	11R45	5878	12-1A2	123A	12F40	5878	12G31	5066
10T20A	5196A	10T150RA	5226AK	11-0423	172A	11R55	5882	12-1A82	123A	12F40A	5878	12G3101K	2V060
10T20B	5196AK	10T150RB	5226AK	11-0429	116	11R65	5882	12/1N	115	12F40B	5878	12G121K	2V075
10T20R	5196AK	10T160	5227A	11-0430	177	11R85	5886	12/1N10	178AMP	12F50	5882	12G151K	2V095
10T20RA	5196AK	10T160A	5227A	11-0769	116	11R105	5890	12-2	225	12F50A	5882	12G180K	2V010
10T20RB	5196AK	10T160B	5227A	11-0770	185	11R20	5522	12/3	113A	12F50B	5882	12G191K	2V115
10T22	5197A	10T160R	5227AK	11-0771	116	11R20C	5524	12/3-4	113A	12F60	5882	12G201K	2V130
10T22A	5197A	10T160RA	5227AK	11-0772	184	11R30	5527	12-4	123A	12F60A	5882	12G220K	2V014
10T22B	5197AK	10T160RB	5227AK	11-0773	184	11R30C	5527	12-4	123A	12F60B	5882	12G240K	2V150
10T22R	5197AK	10T180	5230A	11-0774	289A	11R50	5529	12-11	123A	12F70B	5886	12G270K	2V017
10T22RA	5197AK	10T180A	5230A	11-0775	173A	11R60	5529	12-12	123A	12F80	5886	12G271K	504V17
10T22RB	5197AK	10T180B	5230AK	11-0778	177	11R80	5531	12-13	123A	12F80A	5886	12G30K	2V020
10T24	5198A	10T180R	5230AK	11-0781	177	11I4	5405	12-14	123A	12F80B	5886	12G330K	2V025
10T24A</													

To Be Replaced	ECG Replacement	To Be Replaced	ECG Replacement	To Be Replaced	ECG Replacement	To Be Replaced	ECG Replacement	To Be Replaced	ECG Replacement	To Be Replaced	ECG Replacement		
13-0003(Pace)	519	13-0033179-001	5099A	13-087027	116	13-10321-29	107	13-14085-13	159	13-14085-175	108	13-17596-8	519
13-0004	109	13-0033179-004	140A	13-0161822-101	254	13-10321-30	108	13-14085-14	172A	13-14085-176	261	13-17596-9	519
13-0006	159	13-0033179-005	5079A	13-0162399-102	123AP	13-10321-31	107	13-14085-15	128	13-14085-177	262	13-17596-10	519
13-0008A	159	13-0033179-006	142A	13-0162414-102	172A	13-10321-32	107	13-14085-16	128	13-14085-179	290A	13-17597-4	127
13-0009	229	13-0033179-007	5097A		703	13-10321-34	555A	13-14085-18	107	13-14085-180	35	13-17597-7	127
13-004	109	13-0033179-008	5082A	13-2606-1	127	13-10321-35	229	13-14085-17	107	13-14085-181	109	13-17600B	127
13-006	159	13-0033179-010	5096A	13-2P64	152	13-10321-36	229	13-14085-18	102A	13-14085-182	109	13-17608-1	127
13-0010	229	13-0033179-012	5094A	13-2P64-1	152	13-10321-37	222	13-14085-23	102A	13-14085-183	109	13-17608-2	127
13-0014	175	13-0033179-013	135A	13-3-6	726	13-10321-38	106	13-14085-24	106	13-14085-184	109	13-17608B	127
13-0015	116	13-0033179-014	142A	13-4P63	152	13-10321-39	108	13-14085-25	159	13-14085-185	125	13-17608C	127
13-0017	5085A	13-0033182-001	162	13-4P63-1	152	13-10321-41	229	13-14085-26	229	13-14085-186	110MP	13-17609-1	127
13-0020	229	13-0033182-002	162	13-4P63-1	152	13-10321-42	112	13-14085-27	108	13-14085-187	109	13-17625-1	116
13-0021	153A	13-0033187-001	5087A	13-9-4	HiDw-1	13-10321-43	112	13-14085-28	108	13-14085-188	109	13-17625-2	116
13-0022	153A	13-0033187-002	5087A	13-9-4	HiDw-1	13-10321-46	229	13-14085-29	128	13-14085-189	116	13-17625-3	116
13-0024	123A	13-0033187-003	5029A	13-10-4	HiDw-2	13-10321-47	229	13-14085-30	150	13-14085-190	109	13-17625-4	130
13-0026	195A	13-0033187-004	5031A	13-10-6	703	13-10321-49	612	13-14085-31	126A	13-14085-191	116	13-18022-7	130
13-0032	130	13-0033187-005	5048A	13-10-6(Fleetwood)	703	13-10321-50	395	13-14085-32	126A	13-14085-192	116	13-18032-1	102A
13-0035	195A	13-0033187-006	5019A	13-11-6	703	13-10321-51	108	13-14085-33	126A	13-14085-193	116	13-18033-1	102A
13-0040	229	13-0033187-007	5019A	13-11-6(Sears)	703	13-10321-54	555A	13-14085-34	123A	13-14085-194	177	13-18034	121
13-0041	123A	13-0033187-010	5085A	13-12-4	HiDw-2	13-10321-55	112	13-14085-35	102A	13-14085-195	601	13-18034-1	121
13-0043	159	13-0033187-011	5021A	13-17-6	123A	13-10321-58	127	13-14085-36	116	13-14085-196	116	13-18034A	121
13-0043A	159	13-0033187-012	5021A	13-17-6(Sears)	123A	13-10321-60	616	13-14085-37	85	13-14085-197	116	13-18037-1	123A
13-0044	159	13-0033187-013	5052A	13-18-4	HiDw-2	13-10321-61	616	13-14085-38	123A	13-14085-198	116	13-18037-2	123A
13-0044A	159	13-0033187-014	5006A	13-19-4	HiDw-2	13-10321-62	229*	13-14085-39	199	13-14085-199	116	13-18158-1	123A
13-0048	123A	13-0033187-015	5032A	13-20-4	HiDw-2	13-10321-63	616	13-14085-40	123A	13-14085-200	519	13-18138-1	179
13-0049	123	13-0033187-016	5033A	13-21-4	HiDw-1	13-10321-64	5025A	13-14085-41	85	13-14085-201	116	13-18232	124
13-0050	126	13-0033187-017	5007A	13-24-6	712	13-10321-65	395	13-14085-42	85	13-14085-202	177	13-18282-1	124
13-0055	123A	13-0033187-018	5024A	13-26-6	718	13-10321-66	229	13-14085-43	85	13-14085-203	5011A	13-18304-1	102A
13-0061	159	13-0033187-019	5008A	13-27-6	711	13-10321-67(EBC)	107	13-14085-44	85	13-14085-204	5019A	13-18359	124
13-0061A	159	13-0033187-021	5022A	13-27-6(Sears)	711	13-10321-69	616	13-14085-45	374	13-14085-205	5021A	13-18359-1	124
13-0062	229	13-0033187-024	5026A	13-28-6	706	13-10321-70	229	13-14085-46	295	13-14085-206	5030A	13-18359-3	124
13-0062A	229	13-0033187-026	5015A	13-28-6(Sears)	706	13-10321-70(FET)	454*	13-14085-47	177	13-14085-207	177	13-18359A	124
13-0063	229	13-0033187-027	51072A	13-29-6	712	13-10321-71	181	13-14085-48	102A	13-14085-208	116	13-18363	123
13-0063A	229	13-0033187-028	5078A	13-29-6(Sears)	712	13-10321-72	229	13-14085-49	102A	13-14085-209	116	13-18363-1A	123
13-0065	229	13-0033187-031	5029A	13-30-6	780	13-10321-73	108	13-14085-50	159	13-14085-210	116	13-18363-1A	123
13-0078	5130A	13-0033187-032	5005A	13-32-6	906	13-10321-74	108	13-14085-51	159	13-14085-211	116	13-18364-2	179
13-0079	329	13-0033187-035	5046A	13-40-6	710	13-10321-75	229	13-14085-52	102A	13-14085-212	614	13-18365-1	199
13-0079A	329	13-0033187-035	5046A	13-41-6	790	13-10321-76	161	13-14085-53	102A	13-14085-213	614	13-18458-1	116
13-0082	229	13-0033187-036	5027A	13-42-6	714	13-10321-77	229	13-14085-54	108	13-14085-214	103A	13-18481-1	580A
13-0084	159	13-0033187-037	5035A	13-50-6	767*	13-10321-77	229	13-14085-55	108	13-14085-215	103A	13-18481-2	580
13-0089	709	13-0033187-038	5016A	13-52-6	722	13-10321-78	181	13-14085-56	85	13-14085-216	159	13-18481-3	580
13-0091	816*	13-0033187-039	50131A	13-52-6	722	13-10321-79	108	13-14085-57	102A	13-14085-217	121MP	13-18482	179
13-0092	109	13-0033187-040	5015A	13-54-6	733	13-10321-80	613	13-14085-58	123A	13-14085-218	116	13-18482-2	179
13-0093	159	13-0033187-041	5052A	13-55-6	738	13-10321-81	229	13-14085-59	158	13-14085-219	121MP	13-18482-2D	179
13-0094	184	13-0033187-045	5015A	13-57-6	739	13-10321-82	229	13-14085-60	123A	13-14085-220	121MP	13-18482-2E	179
13-0095	316	13-0033595-001	123A	13-58-6	804	13-10321-83	454*	13-14085-61	123A	13-14085-221	121MP	13-18482-2F	179
13-0097	1828	13-0033595-002	123A	13-59-6	804	13-10321-84	454*	13-14085-62	123A	13-14085-222	121MP	13-18482-3	179
13-0098	757*	13-0033595-003	123A	13-60-6	722	13-10321-85	454*	13-14085-63	187	13-14085-223	121MP	13-18482-3A	179
13-0099	5900	13-0034058-001	177	13-61-6	804	13-10321-86	616	13-14085-64	159	13-14085-224	123A	13-18482-3B	179
13-009921-001	171*	13-0035807-002	123AP	13-64-6	712	13-10321-87	454*	13-14085-65	152	13-14085-225	116	13-18482-20-1	179
13-012002-00X	109	13-0035807-002	123AP	13-67-6	723	13-10321-88	229	13-14085-66	123A	13-14085-226	121MP	13-18482-21	179
13-012003-00X	109	13-0039099-001	152	13-68-6	815	13-10321-89	229	13-14085-67	102A	13-14085-227	121MP	13-18482-22	179
13-014085-163	123AP	13-0039099-002	196	13-74-6	5081A	13-10321-89-1	319*	13-14085-68	128	13-14085-228	121MP	13-18482-23	179
13-017596-002	519	13-0039099-003	199	13-112-6	7410	13-10321-90	112	13-14085-69	128	13-14085-229	121MP	13-18482-24	179
13-017596-010	519	13-0039114-003	123AP	13-117-6	7415.175	13-10321-91	229	13-14085-70	128	13-14085-230	121MP	13-18482-25	179
13-018924-001	5400	13-0039820-001	116	13-127-6	7493A	13-10321-92	112	13-14085-71	199	13-14085-231	121MP	13-18482-26	179
13-018924-002	5401	13-0039820-001	159	13-136-6	74S04	13-10321-93	108	13-14085-72	199	13-14085-232	121MP	13-18482-27	179
13-018924-003	5400	13-0041122-002	125	13-139-6	741S04	13-10321-94	108	13-14085-73	199	13-14085-233	121MP	13-18482-28	179
13-018924-004	5400	13-0041122-003	125	13-148-6	74107	13-10321-95	229	13-14085-74	199	13-14085-234	121MP	13-18482-29	179
13-018924-005	5400	13-0041122-005	125	13-149-6	74107	13-10321-96	613	13-14085-75	199	13-14085-235	121MP	13-18482-30	179
13-018924-006	5400	13-0041122-002	125	13-150-6	74107	13-10321-97	613	13-14085-76	199	13-14085-236	121MP	13-18482-31	179
13-018924-007	5404	13-0043634-001	159	13-151-6	74107	13-10321-98	161	13-14085-77	199	13-14085-237	121MP	13-18482-32	179
13-018924-008	5400	13-0043773-001	123AP	13-152-6	74107	13-10321-100	107	13-14085-78	199	13-14085-238	121MP	13-18482-33	179
13-020211-00X	177	13-0043777-001	552	13-1007-1	159	13-10321-100	107	13-14085-79	199	13-14085-239	121MP		

To Be Replaced	ECG Replacement	To Be Replaced	ECG Replacement	To Be Replaced	ECG Replacement	To Be Replaced	ECG Replacement	To Be Replaced	ECG Replacement	To Be Replaced	ECG Replacement	To Be Replaced	ECG Replacement
13-23160-5/3626	229	13-28394-5	129	13-31014-22	177	13-34046-4	186	13-40142-2	125	13-81966-1	397	13-4800869145	129
13-23163-2	107	13-28394-5A	129	13-31014-23	503	13-34046-5	291	13-40142-3	125	13-82103	229	13A(Zener)	5022A
13-23163-3	107	13-28394-6	129	13-31014-24	116	13-34047-1	187	13-40312-1	199	13-82103-1	229	13B(Zener)	5022A
13-23163-3/3626	123A	13-28394-7	390	13-31014-26	507A4	13-34047-2	187	13-40339-1	331	13-82103-2	229	13B01475	5084A
13-23309-4	123AF	13-28394-8	194	13-31014-27	552	13-34047-3	187	13-40339-2	332	13-82103-3	510A	13-B014935-000	508
13-23309-4A	123AF	13-28394-9	154	13-31014-28	519	13-34047-4	232	13-40339-3	333	13-82103-4	5033A	13-B015334-000	5089A
13-23309-5	123A	13-28394-2	152	13-31014-30	552	13-34056-1	177	13-40344-1	373	13-82540-1	123AP	13-B015234-000	511A1A
13-23323-4	289A	13-28471-1(Metal)	128	13-31014-31	552	13-34057-1	176	13-40345-1	374	13-82540-1	123AP	13-B022222-000	123A
13-23323-5	289A	13-28471-1(PLASTIC)	188	13-31014-33	558	13-34089-2	157	13-40346-1	181	13-82540-2	291	13B023251	159
13-23323-6	108	13-28532-1	182S	13-31014-34	143A	13-34089-4	157	13-40347-1	180	13-82540-3	159	13-B023440-000	398
13-23324-6	123A	13-28583-1	222	13-31014-37	116	13-34367-1	159	13-41122-1	125	13-82540-4	123AP	13-B023584	286S
13-23325-5	159	13-28584-1	108	13-31014-40	519	13-34367-3	159	13-41122-2	125	13-82540-5	5002A	13-B023584-000	286S
13-23326-6	289A	13-28584-2	108	13-31014-43	552	13-34367-4	5602	13-41122-3	125	13-82540-6	5002A	13-B025656-000	157
13-23327-4	289A	13-28584-3	312	13-31015-7	159	13-34368-2	5904	13-41122-4	125	13-82540-7	123	13-B025304-000	318
13-23328-4	159	13-28584-4	452	13-31015-7	123AF	13-34371-1	128	13-41123-1	125	13-82540-8	5008A	13B(Zener)	5022A
13-23328-5	199	13-28584-5	452	13-31015-7	159	13-34371-1	128	13-41123-2	125	13-82540-9	365	13B2(Zener)	5022A
13-23336-4	194	13-28654-4	452	13-32366-1	290	13-34372-1	190	13-41123-3	125	13-82540-10	47	13B3(Zener)	5022A
13-23339-2	199	13-29033-3	123AP	13-32366-2	108	13-34372-2	186	13-41123-4	125	13-82540-11	47	13B4(Zener)	5022A
13-23342-2	199	13-29033-2	123AP	13-32630-1	123AP	13-34372-3	188	13-41123-5	125	13-82540-12	318	13B14741-00	5074A
13-23345-2	199	13-29033-3	123AP	13-32630-2	192S	13-34373-1	189	13-41542-1	5602	13-82540-13	316	13B14742-01	143A
13-23351-2	290A	13-29033-4	123AP	13-32630-3	123AP	13-34373-2	187	13-41542-2	5602	13-82540-14	125	13B14746-01	5077A
13-23351-4	319	13-29033-5	199	13-32630-4	192S	13-34373-3	187	13-41628-1	186	13-82540-15	125	13B14747-00	5079A
13-23352-4	159	13-29033-6	123AF	13-32630-5	123AF	13-34374-1	181	13-41628-2	186	13-82540-16	125	13B14759-01	5080A
13-23352-5	199	13-29033-7	123AF	13-32630-6	193	13-34375-1	312	13-41628-3	186	13-82540-17	125	13B23792-00	199
13-23356-2	290	13-29165-1	158	13-32631-3	159	13-34375-2	312	13-41628-4	186	13-82540-18	125	13B30347-00	219
13-23357-0	198	13-29165-2	158	13-32631-4	159	13-34376-1	312	13-41628-5	186	13-82540-19	125	13B32691-00	6401S
13-23357-1	198	13-29165-3	158	13-32631-5	159	13-34376-2	312	13-41628-6	186	13-82540-20	158	13B32691-01	118
13-23357-2	198	13-29165-4	158	13-32631-6	159	13-34377-3	312	13-41628-7	186	13-82540-21	125	13B4	116
13-23357-3	198	13-29165-5	158	13-32631-7	159	13-34378-1	312	13-41628-8	186	13-82540-22	125	13B5D02F	140A
13-23357-4	198	13-29165-6	158	13-32631-8	159	13-34381-1	199	13-41628-9	186	13-82540-23	125	13B5943-2	113A
13-23357-5	198	13-29165-7	158	13-32631-9	159	13-34381-2	199	13-41628-10	186	13-82540-24	113A	13J2	116
13-23357-6	198	13-29165-8	158	13-32631-10	159	13-34584-1	87	13-41628-11	186	13-82540-25	113A	13J2F	116
13-23357-7	198	13-29165-9	158	13-32642-1	184	13-34584-2	87	13-41628-12	186	13-82540-26	109	13N1(Zener)	5022A
13-23357-8	198	13-29165-10	158	13-32642-2	184	13-34708-1	331	13-41628-13	186	13-82540-27	103	13N2(Zener)	5022A
13-23357-9	198	13-29165-11	158	13-32642-3	184	13-34707-1	332	13-41628-14	186	13-82540-28	103	13P1	116
13-23357-10	198	13-29165-12	158	13-32642-4	184	13-34707-2	332	13-41628-15	186	13-82540-29	103	13P2	116
13-23357-11	198	13-29165-13	158	13-32642-5	184	13-34639-1	197	13-41628-16	186	13-82540-30	103	13P2(Resistor)	125
13-23357-12	198	13-29165-14	158	13-32642-6	184	13-34639-2	197	13-41628-17	186	13-82540-31	103	13P2(Resistor)	125
13-23357-13	198	13-29165-15	158	13-32642-7	184	13-34901-1	5814	13-41628-18	186	13-82540-32	5809	13P3035	5534A
13-23357-14	198	13-29165-16	158	13-32642-8	184	13-34940-1	159	13-41628-19	186	13-82540-33	76	13P3135	5534A
13-23357-15	198	13-29165-17	158	13-32642-9	184	13-35059-1	712	13-41628-20	186	13-82540-34	76	13P3235	5534A
13-23357-16	198	13-29165-18	158	13-32642-10	184	13-35089-1	228A	13-41628-21	186	13-82540-35	552	13P3335	5534A
13-23357-17	198	13-29165-19	158	13-32642-11	184	13-35089-2	228A	13-41628-22	186	13-82540-36	102A	13P3435	5534A
13-23357-18	198	13-29165-20	158	13-32642-12	184	13-35089-3	228A	13-41628-23	186	13-82540-37	102A	13P3535	5534A
13-23357-19	198	13-29165-21	158	13-32642-13	184	13-35089-4	228A	13-41628-24	186	13-82540-38	128	13P3635	5534A
13-23357-20	198	13-29165-22	158	13-32642-14	184	13-35089-5	228A	13-41628-25	186	13-82540-39	128	13P3735	5534A
13-23357-21	198	13-29165-23	158	13-32642-15	184	13-35089-6	228A	13-41628-26	186	13-82540-40	128	13P3835	5534A
13-23357-22	198	13-29165-24	158	13-32642-16	184	13-35089-7	228A	13-41628-27	186	13-82540-41	128	13P3935	5534A
13-23357-23	198	13-29165-25	158	13-32642-17	184	13-35089-8	228A	13-41628-28	186	13-82540-42	128	13P4035	5534A
13-23357-24	198	13-29165-26	158	13-32642-18	184	13-35089-9	228A	13-41628-29	186	13-82540-43	128	13P4135	5534A
13-23357-25	198	13-29165-27	158	13-32642-19	184	13-35089-10	228A	13-41628-30	186	13-82540-44	128	13P4235	5534A
13-23357-26	198	13-29165-28	158	13-32642-20	184	13-35089-11	228A	13-41628-31	186	13-82540-45	128	13P4335	5534A
13-23357-27	198	13-29165-29	158	13-32642-21	184	13-35089-12	228A	13-41628-32	186	13-82540-46	128	13P4435	5534A
13-23357-28	198	13-29165-30	158	13-32642-22	184	13-35089-13	228A	13-41628-33	186	13-82540-47	128	13P4535	5534A
13-23357-29	198	13-29165-31	158	13-32642-23	184	13-35089-14	228A	13-41628-34	186	13-82540-48	128	13P4635	5534A
13-23357-30	198	13-29165-32	158	13-32642-24	184	13-35089-15	228A	13-41628-35	186	13-82540-49	128	13P4735	5534A
13-23357-31	198	13-29165-33	158	13-32642-25	184	13-35089-16	228A	13-41628-36	186	13-82540-50	128	13P4835	5534A
13-23357-32	198	13-29165-34	158	13-32642-26	184	13-35089-17	228A	13-41628-37	186	13-82540-51	128	13P4935	5534A
13-23357-33	198	13-29165-35	158	13-32642-27	184	13-35089-18	228A	13-41628-38	186	13-82540-52	128	13P5035	5534A
13-23357-34	198	13-29165-36	158	13-32642-28	184	13-35089-19	228A	13-41628-39	186	13-82540-53	128	13P5135	5534A
13-23357-35	198	13-29165-37	158	13-32642-29	184	13-35089-20	228A	13-41628-40	186	13-82540-54	128	13P5235	5534A
13-23357-36	198	13-29165-38	158	13-32642-30	184	13-35089-21	228A	13-41628-41	186	13-82540-55	128	13P5335	5534A
13-23357-37	198	13-29165-39	158	13-32642-31	184	13-35089-22	228A	13-41628-42	186	13-82540-56	128	13P5435	5534A
13-23357-38	198	13-29165-40	158	13-32642-32	184	13-35089-23	228A	13-41628-43	186	13-82540-57	128	13P5535	5534A
13-23357-39	198	13-29165-41	158	13-32642-33	184	13-35089-24	228A	13-41628-44	186	13-82540-58	128	13P5635	5534A
13-23357-4													

Table with 16 columns: To Be Replaced, ECG Replacement, To Be Replaced, ECG Replacement, To Be Replaced, ECG Replacement, To Be Replaced, ECG Replacement, To Be Replaced, ECG Replacement, To Be Replaced, ECG Replacement, To Be Replaced, ECG Replacement, To Be Replaced, ECG Replacement. The table lists various semiconductor components and their equivalent ECG replacements.

When basing of original part differs from ECG replacement, basing for original part is shown in parentheses () after the part number. For example, the 2SA509A(EGC) is replaced by ECG159 which has "EBC" basing.

Table with 16 columns: To Be Replaced, ECG Replacement, To Be Replaced, ECG Replacement, To Be Replaced, ECG Replacement, To Be Replaced, ECG Replacement, To Be Replaced, ECG Replacement, To Be Replaced, ECG Replacement, To Be Replaced, ECG Replacement, To Be Replaced, ECG Replacement. It lists various semiconductor components and their equivalent part numbers.

* , # , * , + , \$, † - See Special Notes on Page 2-2

Main table with multiple columns showing part numbers and ECG replacements. Columns include 'To Be Replaced', 'ECG Replacement', and various part numbers.

When basing of original part differs from ECG replacement, basing for original part is shown in parentheses () after the part number. For example, the 2SA509A(EGC) is replaced by ECG159 which has "ECG" basing.

Table with 12 columns: To Be Replaced, ECG Replacement, To Be Replaced, ECG Replacement, To Be Replaced, ECG Replacement, To Be Replaced, ECG Replacement, To Be Replaced, ECG Replacement, To Be Replaced, ECG Replacement. Contains thousands of part numbers and their equivalents.

* , # , + , \$, † - See Special Notes on Page 2-2

Table with 16 columns: To Be Replaced, ECG Replacement, To Be Replaced, ECG Replacement, To Be Replaced, ECG Replacement, To Be Replaced, ECG Replacement, To Be Replaced, ECG Replacement, To Be Replaced, ECG Replacement, To Be Replaced, ECG Replacement, To Be Replaced, ECG Replacement. Contains thousands of part numbers and their equivalents.

When basing of original part differs from ECG replacement, basing for original part is shown in parentheses () after the part number. For example, the 2SA509A(ECB) is replaced by ECG159 which has "EBC" basing.

Table with 16 columns: To Be Replaced, ECG Replacement, To Be Replaced, ECG Replacement, To Be Replaced, ECG Replacement, To Be Replaced, ECG Replacement, To Be Replaced, ECG Replacement, To Be Replaced, ECG Replacement, To Be Replaced, ECG Replacement, To Be Replaced, ECG Replacement. The table lists various semiconductor part numbers and their corresponding ECG replacement part numbers.

When basis of original part differs from ECG replacement, basis for original part is shown in parentheses () after the part number. For example, the 2S4509A(EB) is replaced by ECG159 which has "EBC" basing.

Table with 12 columns: To Be Replaced, ECG Replacement, To Be Replaced, ECG Replacement, To Be Replaced, ECG Replacement, To Be Replaced, ECG Replacement, To Be Replaced, ECG Replacement, To Be Replaced, ECG Replacement. Contains a dense grid of part numbers and their equivalents.

*, R, @, +, S, J - See Special Notes on Page 2-2

Table with 12 columns: To Be Replaced, ECG Replacement, To Be Replaced, ECG Replacement, To Be Replaced, ECG Replacement, To Be Replaced, ECG Replacement, To Be Replaced, ECG Replacement, To Be Replaced, ECG Replacement. Rows list various semiconductor part numbers and their equivalents.

*, &, @, +, \$, † - See Special Notes on Page 2-2

Table with 16 columns: To Be Replaced, ECG Replacement, To Be Replaced, ECG Replacement, To Be Replaced, ECG Replacement, To Be Replaced, ECG Replacement, To Be Replaced, ECG Replacement, To Be Replaced, ECG Replacement, To Be Replaced, ECG Replacement, To Be Replaced, ECG Replacement. It lists various semiconductor part numbers and their corresponding ECG replacement parts.

When basing of original part differs from ECG replacement, basing for original part is shown in parentheses () after the part number. For example, the 2SA509A(EB3) is replaced by ECG159 which has "EB3" basing.

Table with 12 columns: To Be Replaced, ECG Replacement, To Be Replaced, ECG Replacement, To Be Replaced, ECG Replacement, To Be Replaced, ECG Replacement, To Be Replaced, ECG Replacement, To Be Replaced, ECG Replacement. Contains a comprehensive list of semiconductor part numbers and their equivalents.

• , • , • , • , • See Special Notes on Page 2-2

ECG SEMICONDUCTOR REPLACEMENT GUIDE

51X90528A55 through 56D102-1

Table with columns: To Be Replaced, ECG Replacement, To Be Replaced, ECG Replacement, To Be Replaced, ECG Replacement, To Be Replaced, ECG Replacement, To Be Replaced, ECG Replacement, To Be Replaced, ECG Replacement. Contains multiple columns of part numbers and their replacements.

When basing of original part differs from ECG replacement, basing for original part is shown in parentheses () after the part number. For example, the 2SA509A(BCB) is replaced by ECG159 which has "EBC" basing.

Table with 12 columns: To Be Replaced, ECG Replacement, To Be Replaced, ECG Replacement, To Be Replaced, ECG Replacement, To Be Replaced, ECG Replacement, To Be Replaced, ECG Replacement, To Be Replaced, ECG Replacement. Rows list various semiconductor part numbers and their corresponding ECG replacement parts.

When basing of original part differs from ECG replacement, basing for original part is shown in parentheses () after the part number. For example, the 25A509A(ECB) is replaced by ECG159 which has "EBC" basing.

Table with 16 columns: To Be Replaced, ECG Replacement, To Be Replaced, ECG Replacement, To Be Replaced, ECG Replacement, To Be Replaced, ECG Replacement, To Be Replaced, ECG Replacement, To Be Replaced, ECG Replacement, To Be Replaced, ECG Replacement, To Be Replaced, ECG Replacement. Rows list various semiconductor part numbers and their corresponding ECG equivalents.

•, *, @, !, \$, † - See Special Notes on Page 2-2

Table with 16 columns: To Be Replaced, ECG Replacement, To Be Replaced, ECG Replacement, To Be Replaced, ECG Replacement, To Be Replaced, ECG Replacement, To Be Replaced, ECG Replacement, To Be Replaced, ECG Replacement, To Be Replaced, ECG Replacement, To Be Replaced, ECG Replacement. It lists various semiconductor part numbers and their equivalent ECG replacements.

When basing of original part differs from ECG replacement, basing for original part is shown in parentheses () after the part number. For example, the 2SA509A(EB) is replaced by ECG159 which has "EBC" basing.

Table with 12 columns: ECG Replacements, To Be Replaced, ECG Replacement, To Be Replaced, ECG Replacement, To Be Replaced, ECG Replacement, To Be Replaced, ECG Replacement, To Be Replaced, ECG Replacement, To Be Replaced, ECG Replacement. Lists various semiconductor part numbers and their equivalents.

•, #, @, ., +, *, † See Special Notes on Page 2-2

Table with 14 columns: To Be Replaced, ECG Replacement, To Be Replaced, ECG Replacement, To Be Replaced, ECG Replacement, To Be Replaced, ECG Replacement, To Be Replaced, ECG Replacement, To Be Replaced, ECG Replacement, To Be Replaced, ECG Replacement. It lists various semiconductor part numbers and their corresponding ECG replacements.

When basing of original part differs from ECG replacement, basing for original part is shown in parentheses () after the part number. For example, the 2SA09A(CEB) is replaced by ECG159 which has "ECB" basing.

Table with 12 columns: To Be Replaced, ECG Replacement, To Be Replaced, ECG Replacement, To Be Replaced, ECG Replacement, To Be Replaced, ECG Replacement, To Be Replaced, ECG Replacement, To Be Replaced, ECG Replacement. Contains numerous part numbers and their equivalents.

•, #, @, *, +, \$, † - See Special Notes on Page 2-2

Table with 16 columns: To Be Replaced, ECG Replacement, To Be Replaced, ECG Replacement, To Be Replaced, ECG Replacement, To Be Replaced, ECG Replacement, To Be Replaced, ECG Replacement, To Be Replaced, ECG Replacement, To Be Replaced, ECG Replacement, To Be Replaced, ECG Replacement. Contains numerous part numbers and their equivalents.

When basing of original part differs from ECG replacement, basing for original part is shown in parentheses () after the part number. For example, the 2SA509A(EB) is replaced by ECG159 which has "EBC" basing.

Table with 12 columns: To Be Replaced, ECG Replacement, To Be Replaced, ECG Replacement, To Be Replaced, ECG Replacement, To Be Replaced, ECG Replacement, To Be Replaced, ECG Replacement, To Be Replaced, ECG Replacement. Rows list various part numbers and their corresponding ECG replacements.

When basing of original part differs from ECG replacement, basing for original part is shown in parentheses () after the part number. For example, the 2SA509A(ECB) is replaced by ECG159 which has "EBC" basing.

Table with 12 columns: To Be Replaced, ECG Replacement, To Be Replaced, ECG Replacement, To Be Replaced, ECG Replacement, To Be Replaced, ECG Replacement, To Be Replaced, ECG Replacement, To Be Replaced, ECG Replacement. Rows list various semiconductor part numbers and their ECG equivalents.

When basing of original part differs from ECG replacement, basing for original part is shown in parentheses () after the part number. For example, the 2SA509A(EGC) is replaced by ECG159 which has "EGC" basing.

Table with 12 columns: To Be Replaced, ECG Replacement, To Be Replaced, ECG Replacement, To Be Replaced, ECG Replacement, To Be Replaced, ECG Replacement, To Be Replaced, ECG Replacement, To Be Replaced, ECG Replacement. Contains numerous part numbers and their equivalents.

*. #. @. +. \$. t - See Special Notes on Page 2-2

Table with 16 columns: To Be Replaced, ECG Replacement, To Be Replaced, ECG Replacement, To Be Replaced, ECG Replacement, To Be Replaced, ECG Replacement, To Be Replaced, ECG Replacement, To Be Replaced, ECG Replacement, To Be Replaced, ECG Replacement, To Be Replaced, ECG Replacement. Contains a dense grid of part numbers and their corresponding ECG replacements.

When basing of original part differs from ECG replacement, basing for original part is shown in parentheses () after the part number. For example, the 2SA509A(EGC) is replaced by ECG159 which has "EBC" basing.

Table with 16 columns: To Be Replaced, ECG Replacement, To Be Replaced, ECG Replacement, To Be Replaced, ECG Replacement, To Be Replaced, ECG Replacement, To Be Replaced, ECG Replacement, To Be Replaced, ECG Replacement, To Be Replaced, ECG Replacement, To Be Replaced, ECG Replacement. Rows list various semiconductor part numbers and their equivalents.

♦, #, *, +, \$, † - See Special Notes on Page 2-2

Main table with columns: To Be Replaced, ECG Replacement, To Be Replaced, ECG Replacement, To Be Replaced, ECG Replacement, To Be Replaced, ECG Replacement, To Be Replaced, ECG Replacement, To Be Replaced, ECG Replacement. Rows list various component types and their corresponding replacement part numbers.

When basing of original part differs from ECG replacement, basing for original part is shown in parentheses () after the part number. For example, the 2SA4509A(CEB) is replaced by ECG159 which has "ECB" basing.

Table with 16 columns: To Be Replaced, ECG Replacement, To Be Replaced, ECG Replacement, To Be Replaced, ECG Replacement, To Be Replaced, ECG Replacement, To Be Replaced, ECG Replacement, To Be Replaced, ECG Replacement, To Be Replaced, ECG Replacement, To Be Replaced, ECG Replacement. The table lists various semiconductor part numbers and their corresponding ECG replacement part numbers.

When basing of original part differs from ECG replacement, basing for original part is shown in parentheses () after the part number. For example, the 2SA509A(ECB) is replaced by ECG159 which has "ECB" basing.

Table with 16 columns: To Be Replaced, ECG Replacement, To Be Replaced, ECG Replacement, To Be Replaced, ECG Replacement, To Be Replaced, ECG Replacement, To Be Replaced, ECG Replacement, To Be Replaced, ECG Replacement, To Be Replaced, ECG Replacement, To Be Replaced, ECG Replacement. Rows list various semiconductor part numbers and their equivalents.

◆, *, @, *, †, ‡ - See Special Notes on Page 2-2

Table with 12 columns: To Be Replaced, ECG Replacement, To Be Replaced, ECG Replacement, To Be Replaced, ECG Replacement, To Be Replaced, ECG Replacement, To Be Replaced, ECG Replacement, To Be Replaced, ECG Replacement. Contains numerous part numbers and their equivalents.

When basing of original part differs from ECG replacement, basing for original part is shown in parentheses () after the part number. For example, the 2SA509A(EGC) is replaced by ECG159 which has "EGC" basing.

Table with multiple columns: To Be Replaced, ECG Replacement, and various part numbers. The table lists numerous semiconductor components and their equivalent parts, organized in a grid-like structure.

* , @ , + , \$, # - See Special Notes on Page 2-2

Table with 12 columns: To Be Replaced, ECG Replacement, To Be Replaced, ECG Replacement, To Be Replaced, ECG Replacement, To Be Replaced, ECG Replacement, To Be Replaced, ECG Replacement, To Be Replaced, ECG Replacement. Contains numerous part numbers and their corresponding ECG equivalents.

When basing of original part differs from ECG replacement, basing for original part is shown in parentheses () after the part number. For example, the 2SA509A(IECB) is replaced by ECG159 which has "IECB" basing.

Table with 16 columns: To Be Replaced, ECG Replacement, To Be Replaced, ECG Replacement, To Be Replaced, ECG Replacement, To Be Replaced, ECG Replacement, To Be Replaced, ECG Replacement, To Be Replaced, ECG Replacement, To Be Replaced, ECG Replacement, To Be Replaced, ECG Replacement. Rows list various semiconductor part numbers and their ECG equivalents.

When basing on original part differs from ECG replacement, basing for original part is shown in parentheses () after the part number. For example, the 2SA509A(CEB) is replaced by ECG159 which has "EBC" basing.

Table with 16 columns: To Be Replaced, ECG Replacement, To Be Replaced, ECG Replacement, To Be Replaced, ECG Replacement, To Be Replaced, ECG Replacement, To Be Replaced, ECG Replacement, To Be Replaced, ECG Replacement, To Be Replaced, ECG Replacement, To Be Replaced, ECG Replacement. Contains thousands of rows of part numbers and their equivalents.

*. #. @. * . +. \$. † . See Special Notes on Page 2-2

Main table with 5 columns: To Be Replaced, ECG Replacement, To Be Replaced, ECG Replacement, To Be Replaced, ECG Replacement, To Be Replaced, ECG Replacement, To Be Replaced, ECG Replacement. Each column contains two sub-columns of part numbers and descriptions.

When basing of original part differs from ECG replacement, basing for original part is shown in parentheses () after the part number. For example, the 2SA09A(ECB) is replaced by ECG159 which has "EBC" basing.

Table with 16 columns: To Be Replaced, ECG Replacement, To Be Replaced, ECG Replacement, To Be Replaced, ECG Replacement, To Be Replaced, ECG Replacement, To Be Replaced, ECG Replacement, To Be Replaced, ECG Replacement, To Be Replaced, ECG Replacement, To Be Replaced, ECG Replacement. Contains various semiconductor part numbers and their equivalents.

* , # , @ , + , \$, † - See Special Notes on Page 2-2

Main table with 16 columns: To Be Replaced, ECG Replacement, To Be Replaced, ECG Replacement, To Be Replaced, ECG Replacement, To Be Replaced, ECG Replacement, To Be Replaced, ECG Replacement, To Be Replaced, ECG Replacement, To Be Replaced, ECG Replacement, To Be Replaced, ECG Replacement.

When basing of original part differs from ECG replacement, basing for original part is shown in parentheses () after the part number. For example, the 2SA509A(CEB) is replaced by ECG159 which has "EBC" basing.

Table with 16 columns: To Be Replaced, ECG Replacement, To Be Replaced, ECG Replacement, To Be Replaced, ECG Replacement, To Be Replaced, ECG Replacement, To Be Replaced, ECG Replacement, To Be Replaced, ECG Replacement, To Be Replaced, ECG Replacement, To Be Replaced, ECG Replacement. Contains thousands of semiconductor part numbers and their equivalents.

* , # , @ , + , \$, † - See Special Notes on Page 2-2

Table with 16 columns: To Be Replaced, ECG Replacement, To Be Replaced, ECG Replacement, To Be Replaced, ECG Replacement, To Be Replaced, ECG Replacement, To Be Replaced, ECG Replacement, To Be Replaced, ECG Replacement, To Be Replaced, ECG Replacement, To Be Replaced, ECG Replacement. Rows list various semiconductor part numbers and their equivalents.

When basing of original part differs from ECG replacement, basing for original part is shown in parentheses () after the part number. For example, the 2SA509A(ECB) is replaced by ECG159 which has "ECB" basing.

Table with 6 columns: To Be Replaced, ECG Replacement, To Be Replaced, ECG Replacement, To Be Replaced, ECG Replacement, To Be Replaced, ECG Replacement, To Be Replaced, ECG Replacement, To Be Replaced, ECG Replacement. The table lists various semiconductor components and their equivalent ECG replacements.

* , # , @ , + , \$, † - See Special Notes on Page 2-2

Table with 16 columns: To Be Replaced, ECG Replacement, To Be Replaced, ECG Replacement, To Be Replaced, ECG Replacement, To Be Replaced, ECG Replacement, To Be Replaced, ECG Replacement, To Be Replaced, ECG Replacement, To Be Replaced, ECG Replacement, To Be Replaced, ECG Replacement. Contains thousands of semiconductor part numbers and their equivalents.

When basing of original part differs from ECG replacement, basing for original part is shown in parentheses () after the part number. For example, the 2SA509A(ECB) is replaced by ECG159 which has "EBC" basing.

Main table with 12 columns: To Be Replaced, ECG Replacement, To Be Replaced, ECG Replacement, To Be Replaced, ECG Replacement, To Be Replaced, ECG Replacement, To Be Replaced, ECG Replacement, To Be Replaced, ECG Replacement. Contains thousands of part numbers and their equivalents.

•, •, •, •, •, • See Special Notes on Page 2-2

Table with 12 columns: To Be Replaced, ECG Replacement, To Be Replaced, ECG Replacement, To Be Replaced, ECG Replacement, To Be Replaced, ECG Replacement, To Be Replaced, ECG Replacement, To Be Replaced, ECG Replacement. Contains a dense grid of part numbers and their equivalents.

When basing of original part differs from ECG replacement, basing for original part is shown in parentheses () after the part number. For example, the 2SA509A(ECB) is replaced by ECG159 which has "ECB" basing.

Table with 10 columns: To Be Replaced, ECG Replacement, To Be Replaced, ECG Replacement, To Be Replaced, ECG Replacement, To Be Replaced, ECG Replacement, To Be Replaced, ECG Replacement. Contains a dense list of part numbers and their equivalents.

♦, #, @, *, \$, † - See Special Notes on Page 2-2

Table with 12 columns: To Be Replaced, ECG Replacement, To Be Replaced, ECG Replacement, To Be Replaced, ECG Replacement, To Be Replaced, ECG Replacement, To Be Replaced, ECG Replacement, To Be Replaced, ECG Replacement. Rows contain various part numbers and their corresponding ECG replacements.

When basis of original part differs from ECG replacement, basis for original part is shown in parentheses () after the part number. For example, the 2SA509A(CEB) is replaced by EC159 which has "EBC" basis.

Table with 10 columns: To Be Replaced, ECG Replacement, To Be Replaced, ECG Replacement, To Be Replaced, ECG Replacement, To Be Replaced, ECG Replacement, To Be Replaced, ECG Replacement. Contains numerous semiconductor part numbers and their equivalents.

When basing of original part differs from ECG replacement, basing for original part is shown in parentheses () after the part number. For example, the 2SA909A(EOB) is replaced by ECG159 which has "EB" basing.

Main table with 11 columns: To Be Replaced, ECG Replacement, To Be Replaced, ECG Replacement, To Be Replaced, ECG Replacement, To Be Replaced, ECG Replacement, To Be Replaced, ECG Replacement, To Be Replaced, ECG Replacement. Rows list various semiconductor components like diodes, transistors, and ICs with their ECG equivalents.

* , # , @ , + , \$, † - See Special Notes on Page 2-2

Table with 16 columns: To Be Replaced, ECG Replacement, To Be Replaced, ECG Replacement, To Be Replaced, ECG Replacement, To Be Replaced, ECG Replacement, To Be Replaced, ECG Replacement, To Be Replaced, ECG Replacement, To Be Replaced, ECG Replacement, To Be Replaced, ECG Replacement. Rows list various semiconductor part numbers and their corresponding ECG replacements.

When basing of original part differs from ECG replacement, basing for original part is shown in parentheses () after the part number. For example, the 2SA509A(EGC) is replaced by ECG159 which has "EGC" basing.

Table with 16 columns: To Be Replaced, ECG Replacement, To Be Replaced, ECG Replacement, To Be Replaced, ECG Replacement, To Be Replaced, ECG Replacement, To Be Replaced, ECG Replacement, To Be Replaced, ECG Replacement, To Be Replaced, ECG Replacement, To Be Replaced, ECG Replacement. Rows list various semiconductor part numbers and their equivalents.

* , # , @ , + , \$, † - See Special Notes on Page 2-2

Table with 16 columns: To Be Replaced, ECG Replacement, To Be Replaced, ECG Replacement, To Be Replaced, ECG Replacement, To Be Replaced, ECG Replacement, To Be Replaced, ECG Replacement, To Be Replaced, ECG Replacement, To Be Replaced, ECG Replacement, To Be Replaced, ECG Replacement. Contains a comprehensive list of semiconductor part numbers and their equivalents.

When basing of original part differs from ECG replacement, basing for original part is shown in parentheses () after the part number. For example, the 2SA509A(ECB) is replaced by ECG159 which has "ECB" basing

Table with 16 columns: To Be Replaced, ECG Replacement, To Be Replaced, ECG Replacement, To Be Replaced, ECG Replacement, To Be Replaced, ECG Replacement, To Be Replaced, ECG Replacement, To Be Replaced, ECG Replacement, To Be Replaced, ECG Replacement, To Be Replaced, ECG Replacement. It lists various semiconductor part numbers and their equivalents.

*. #. @. +. \$. † - See Special Notes on Page 2-2

Table with multiple columns (To Be Replaced, ECG Replacement, To Be Replaced, ECG Replacement, etc.) listing various semiconductor components and their equivalent part numbers.

♦, *, †, +, §, ‡ - See Special Notes on Page 2-2

Table with columns: To Be Replaced, ECG Replacement, To Be Replaced, ECG Replacement, To Be Replaced, ECG Replacement, To Be Replaced, ECG Replacement, To Be Replaced, ECG Replacement, To Be Replaced, ECG Replacement, To Be Replaced, ECG Replacement. Contains multiple columns of part numbers and their corresponding ECG replacements.

When basing of original part differs from ECG replacement, basing for original part is shown in parentheses () after the part number. For example, the 2SA509A(ECB) is replaced by ECG159 which has "ECB" basing.

Table with 15 columns: To Be Replaced, ECG Replacement, To Be Replaced, ECG Replacement, To Be Replaced, ECG Replacement, To Be Replaced, ECG Replacement, To Be Replaced, ECG Replacement, To Be Replaced, ECG Replacement, To Be Replaced, ECG Replacement, To Be Replaced, ECG Replacement. Contains thousands of part numbers and their equivalents.

* , # , @ , * , \$, † - See Special Notes on Page 2-2

Table with columns: To Be Replaced, ECG Replacement, To Be Replaced, ECG Replacement, To Be Replaced, ECG Replacement, To Be Replaced, ECG Replacement, To Be Replaced, ECG Replacement, To Be Replaced, ECG Replacement, To Be Replaced, ECG Replacement. Rows list various semiconductor part numbers and their equivalents.

*. #. @. +. \$. - See Special Notes on Page 2-2

Table with 16 columns: To Be Replaced, ECG Replacement, To Be Replaced, ECG Replacement, To Be Replaced, ECG Replacement, To Be Replaced, ECG Replacement, To Be Replaced, ECG Replacement, To Be Replaced, ECG Replacement, To Be Replaced, ECG Replacement, To Be Replaced, ECG Replacement. It lists various semiconductor part numbers and their corresponding ECG equivalents.

When basing of original part differs from ECG replacement, basing for original part is shown in parentheses () after the part number. For example, the 2SA509A(10CB) is replaced by ECG159 which has "EBC" basing.

Table with columns: To Be Replaced, ECG Replacement, To Be Replaced, ECG Replacement, To Be Replaced, ECG Replacement, To Be Replaced, ECG Replacement, To Be Replaced, ECG Replacement, To Be Replaced, ECG Replacement. It lists various semiconductor components and their equivalents.

When basing of original part differs from ECG replacement, basing on original part is shown in parentheses () after the part number. For example, the 2SA509A(CEB) is replaced by ECG159 which has "ECG" basing.

Table with multiple columns: To Be Replaced, ECG Replacement, To Be Replaced, ECG Replacement, To Be Replaced, ECG Replacement, To Be Replaced, ECG Replacement, To Be Replaced, ECG Replacement, To Be Replaced, ECG Replacement. Rows list various semiconductor parts and their equivalents.

When basing of original part differs from ECG replacement, basing for original part is shown in parentheses () after the part number. For example, the 2SA509A(ECB) is replaced by EC3159 which has "ECB" basing.

Table with 12 columns: To Be Replaced, ECG Replacement, To Be Replaced, ECG Replacement, To Be Replaced, ECG Replacement, To Be Replaced, ECG Replacement, To Be Replaced, ECG Replacement, To Be Replaced, ECG Replacement. Contains numerous part numbers and their corresponding ECG replacements.

*. #. @. . +. \$: - See Special Notes on Page 2-2

Table with 16 columns: To Be Replaced, ECG Replacement, To Be Replaced, ECG Replacement, To Be Replaced, ECG Replacement, To Be Replaced, ECG Replacement, To Be Replaced, ECG Replacement, To Be Replaced, ECG Replacement, To Be Replaced, ECG Replacement, To Be Replaced, ECG Replacement. Rows list various semiconductor part numbers and their equivalents.

*. #. @. +. \$. - See Special Notes on Page 2-3

Table with columns for 'To Be Replaced', 'ECG Replacement', 'To Be Replaced', 'ECG Replacement', etc., listing various semiconductor part numbers and their equivalents.

When basing of original part differs from ECG replacement, basing for original part is shown in parentheses () after the part number. For example, the 2SA509A(EB) is replaced by ECG159 which has "EB" basing.

Main table with 14 columns: To Be Replaced, ECG Replacement, To Be Replaced, ECG Replacement, To Be Replaced, ECG Replacement, To Be Replaced, ECG Replacement, To Be Replaced, ECG Replacement, To Be Replaced, ECG Replacement, To Be Replaced, ECG Replacement. Contains thousands of part number mappings.

* , @ , + , † - See Special Notes on Page 2-2

Main table with 16 columns: To Be Replaced, ECG Replacement, To Be Replaced, ECG Replacement, To Be Replaced, ECG Replacement, To Be Replaced, ECG Replacement, To Be Replaced, ECG Replacement, To Be Replaced, ECG Replacement, To Be Replaced, ECG Replacement, To Be Replaced, ECG Replacement.

When basing of original part differs from ECG replacement, basing for original part is shown in parentheses () after the part number. For example, the 2SA509A(ECB) is replaced by ECG159 which has "ECB" basing.

Table with 12 columns: To Be Replaced, ECG Replacement, To Be Replaced, ECG Replacement, To Be Replaced, ECG Replacement, To Be Replaced, ECG Replacement, To Be Replaced, ECG Replacement, To Be Replaced, ECG Replacement. Rows list various semiconductor part numbers and their corresponding replacement part numbers.

When basing on original part differs from ECG replacement, basing for original part is shown in parentheses () after the part number. For example, the 2S4509A(ECB) is replaced by ECG159 which has "ECB" basing.

Table with 12 columns: To Be Replaced, ECG Replacement, To Be Replaced, ECG Replacement, To Be Replaced, ECG Replacement, To Be Replaced, ECG Replacement, To Be Replaced, ECG Replacement, To Be Replaced, ECG Replacement. Contains numerous part numbers and their corresponding replacements.

•, #, @, * - See Special Notes on Page 2-2

Table with multiple columns for part numbers and ECG replacements, organized in a grid-like structure with headers for 'To Be Replaced' and 'ECG Replacement'.

When basing of original part differs from the ECG replacement, basing for original part is shown in parentheses () after the part number. For example, the 2S4509A(ECB) is replaced by ECG159 which has "EBC" basing.

Table with 12 columns: To Be Replaced, ECG Replacement, To Be Replaced, ECG Replacement, To Be Replaced, ECG Replacement, To Be Replaced, ECG Replacement, To Be Replaced, ECG Replacement, To Be Replaced, ECG Replacement. Contains numerous part numbers and their corresponding replacements.

♦, #, *, +, \$, † - See Special Notes on Page 2-2

Table with 16 columns: To Be Replaced, ECG Replacement, To Be Replaced, ECG Replacement, To Be Replaced, ECG Replacement, To Be Replaced, ECG Replacement, To Be Replaced, ECG Replacement, To Be Replaced, ECG Replacement, To Be Replaced, ECG Replacement, To Be Replaced, ECG Replacement. It lists various semiconductor part numbers and their corresponding ECG replacements.

When basing of original part differs from ECG replacement, basing for original part is shown in parentheses () after the part number. For example, the 2SA09A(ECB) is replaced by EC6159 which has "ECB" basing.

Table with 16 columns: To Be Replaced, ECG Replacement, To Be Replaced, ECG Replacement, To Be Replaced, ECG Replacement, To Be Replaced, ECG Replacement, To Be Replaced, ECG Replacement, To Be Replaced, ECG Replacement, To Be Replaced, ECG Replacement, To Be Replaced, ECG Replacement. Contains a dense grid of part numbers and their equivalents.

*, #, @, +, \$, - See Special Notes on Page 2-2

Table with 14 columns: To Be Replaced, ECG Replacement, To Be Replaced, ECG Replacement, To Be Replaced, ECG Replacement, To Be Replaced, ECG Replacement, To Be Replaced, ECG Replacement, To Be Replaced, ECG Replacement, To Be Replaced, ECG Replacement. Contains a comprehensive list of semiconductor parts and their equivalents.

*, #, @, ^, \$, † - See Special Notes on Page 2-2

Table with 16 columns: To Be Replaced, ECG Replacement, To Be Replaced, ECG Replacement, To Be Replaced, ECG Replacement, To Be Replaced, ECG Replacement, To Be Replaced, ECG Replacement, To Be Replaced, ECG Replacement, To Be Replaced, ECG Replacement, To Be Replaced, ECG Replacement. The table lists various semiconductor parts and their ECG equivalents across multiple columns.

When basing of original part differs from ECG replacement, basing for original part is shown in parentheses () after the part number. For example, the 2SA509A(EB) is replaced by ECG159 which has "EB" basing.

Main table with 10 columns for ECG Replacement. Each column lists 'To Be Replaced' and 'ECG Replacement' parts. The table is organized into 10 vertical sections.

*, †, ‡, §, ¶ - See Special Notes on Page 2-2

ECG SEMICONDUCTOR REPLACEMENT GUIDE

A1401-2 through A6317460

Table with 5 columns: To Be Replaced, ECG Replacement, To Be Replaced, ECG Replacement, To Be Replaced, ECG Replacement, To Be Replaced, ECG Replacement, To Be Replaced, ECG Replacement. Each column lists various electronic components and their corresponding replacement parts.

When basing of original part differs from ECG replacement, basing for original part is shown in parentheses () after the part number. For example, the 2SA509A(EEB) is replaced by ECG159 which has "EEB" basing.

Table with 12 columns: To Be Replaced, ECG Replacement, To Be Replaced, ECG Replacement, To Be Replaced, ECG Replacement, To Be Replaced, ECG Replacement, To Be Replaced, ECG Replacement, To Be Replaced, ECG Replacement. Contains thousands of entries for various semiconductor components.

When basing of original part differs from ECG replacement, basing for original part is shown in parentheses () after the part number. For example, the 2GA509A(EGC) is replaced by ECG159 which has "EBC" basing.

Table with 16 columns: To Be Replaced, ECG Replacement, To Be Replaced, ECG Replacement, To Be Replaced, ECG Replacement, To Be Replaced, ECG Replacement, To Be Replaced, ECG Replacement, To Be Replaced, ECG Replacement, To Be Replaced, ECG Replacement, To Be Replaced, ECG Replacement. Rows list various semiconductor components and their equivalent ECG part numbers.

*. #. @. +. \$. † - See Special Notes on Page 2-2

Main table with columns: To Be Replaced, ECG Replacement, To Be Replaced, ECG Replacement, To Be Replaced, ECG Replacement, To Be Replaced, ECG Replacement, To Be Replaced, ECG Replacement, To Be Replaced, ECG Replacement. Contains thousands of entries for various semiconductor components.

* , # , @ , % , \$, ⚡ - See Special Notes on Page 2-2

ECG SEMICONDUCTOR REPLACEMENT GUIDE

B1057 through BA328MR

Table with 12 columns: To Be Replaced, ECG Replacement, To Be Replaced, ECG Replacement, To Be Replaced, ECG Replacement, To Be Replaced, ECG Replacement, To Be Replaced, ECG Replacement, To Be Replaced, ECG Replacement. Rows list various semiconductor components like B1057(Trans) 37, B1058(Trans) 102, etc.

When basing of original part differs from ECG replacement, basing for original part is shown in parentheses () after the part number. For example, the 2SA509A(ECB) is replaced by ECG159 which has "ECB" basing.

Table with 12 columns: To Be Replaced, ECG Replacement, To Be Replaced, ECG Replacement, To Be Replaced, ECG Replacement, To Be Replaced, ECG Replacement, To Be Replaced, ECG Replacement, To Be Replaced, ECG Replacement. Contains a comprehensive list of semiconductor part numbers and their ECG equivalents.

When basing of original part differs from ECG replacement, basing for original part is shown in parentheses () after the part number. For example, the 2SA509A(CEB) is replaced by ECG159 which has "EBC" basing.

Table with 14 columns: To Be Replaced, ECG Replacement, To Be Replaced, ECG Replacement, To Be Replaced, ECG Replacement, To Be Replaced, ECG Replacement, To Be Replaced, ECG Replacement, To Be Replaced, ECG Replacement, To Be Replaced, ECG Replacement. Rows list various part numbers and their corresponding ECG replacement parts.

•, #, @, *, +, \$, † - See Special Notes on Page 2-2

Table with 16 columns: To Be Replaced, ECG Replacement, To Be Replaced, ECG Replacement, To Be Replaced, ECG Replacement, To Be Replaced, ECG Replacement, To Be Replaced, ECG Replacement, To Be Replaced, ECG Replacement, To Be Replaced, ECG Replacement, To Be Replaced, ECG Replacement. The table lists numerous semiconductor part numbers and their corresponding ECG replacement parts.

When basing of original part differs from ECG replacement, basing for original part is shown in parentheses () after the part number. For example, the 2SA509A(ECB) is replaced by ECG159 which has "ECB" basing.

Table with 16 columns: To Be Replaced, ECG Replacement, To Be Replaced, ECG Replacement, To Be Replaced, ECG Replacement, To Be Replaced, ECG Replacement, To Be Replaced, ECG Replacement, To Be Replaced, ECG Replacement, To Be Replaced, ECG Replacement, To Be Replaced, ECG Replacement. The table lists various semiconductor components and their corresponding replacement part numbers.

*. #. @. - . \$. † - See Special Notes on Page 2-2

Main table with columns: To Be Replaced, ECG Replacement, To Be Replaced, ECG Replacement, To Be Replaced, ECG Replacement, To Be Replaced, ECG Replacement, To Be Replaced, ECG Replacement. Lists various semiconductor parts and their equivalents.

When basing of original part differs from ECG replacement, basing for original part is shown in parentheses () after the part number. For example, the 2SA609A(ECO) is replaced by ECG159 which has "ECB" basing.

To Be Replaced	ECG Replacement	To Be Replaced	ECG Replacement	To Be Replaced	ECG Replacement	To Be Replaced	ECG Replacement	To Be Replaced	ECG Replacement	To Be Replaced	ECG Replacement	To Be Replaced	ECG Replacement		
BYX60-100	116	BYX61-100	116	BZ060-100	116	BZ061-100	116	BZ062-100	116	BZ063-100	116	BZ064-100	116	BZ065-100	116

Table with 12 columns: To Be Replaced, ECG Replacement, To Be Replaced, ECG Replacement, To Be Replaced, ECG Replacement, To Be Replaced, ECG Replacement, To Be Replaced, ECG Replacement, To Be Replaced, ECG Replacement. Rows list various semiconductor part numbers and their equivalents.

When basing of original part differs from ECG replacement, basing for original part is shown in parentheses () after the part number. For example, the 2SA509A(ECB) is replaced by ECG159 which has "ECB" basing.

Table with 12 columns: To Be Replaced, ECG Replacement, To Be Replaced, ECG Replacement, To Be Replaced, ECG Replacement, To Be Replaced, ECG Replacement, To Be Replaced, ECG Replacement, To Be Replaced, ECG Replacement. It lists various semiconductor components and their ECG equivalents.

When basing of original part differs from ECG replacement, basing for original part is shown in parentheses () after the part number. For example, the 2SA509A(ECB) is replaced by ECG159 which has "EBC" basing.

Table with 12 columns: To Be Replaced, ECG Replacement, To Be Replaced, ECG Replacement, To Be Replaced, ECG Replacement, To Be Replaced, ECG Replacement, To Be Replaced, ECG Replacement, To Be Replaced, ECG Replacement. Contains numerous semiconductor part numbers and their equivalents.

* , # , @ , ~ , + , \$ - See Special Notes on Page 2-2

Table with columns: To Be Replaced, ECG Replacement, To Be Replaced, ECG Replacement, To Be Replaced, ECG Replacement, To Be Replaced, ECG Replacement, To Be Replaced, ECG Replacement, To Be Replaced, ECG Replacement. Contains multiple columns of part numbers and their equivalents.

When basing of original part differs from ECG replacement, basing for original part is shown in parentheses () after the part number. For example, the 2SA509A(ECB) is replaced by ECG159 which has "ECB" basing.

Table with 12 columns: To Be Replaced, ECG Replacement, To Be Replaced, ECG Replacement, To Be Replaced, ECG Replacement, To Be Replaced, ECG Replacement, To Be Replaced, ECG Replacement, To Be Replaced, ECG Replacement. Rows list various semiconductor part numbers and their equivalents.

♦, #, @, +, \$, † See Special Notes on Page 2-2

Main table with columns: To Be Replaced, ECG Replacement, To Be Replaced, ECG Replacement, To Be Replaced, ECG Replacement, To Be Replaced, ECG Replacement, To Be Replaced, ECG Replacement. Rows list various semiconductor components like diodes, transistors, and ICs with their part numbers.

When basing of original part differs from ECG replacement, basing for original part is shown in parentheses () after the part number. For example, the 2SA509A(ECB) is replaced by ECG159 which has "ECB" basing.

Main table with columns for 'To Be Replaced', 'ECG Replacement', and multiple columns of part numbers and values.

* , #, @, +, \$, ! - See Special Notes on Page 2-2

Table with 12 columns: To Be Replaced, ECG Replacement, To Be Replaced, ECG Replacement, To Be Replaced, ECG Replacement, To Be Replaced, ECG Replacement, To Be Replaced, ECG Replacement, To Be Replaced, ECG Replacement. Contains numerous semiconductor part numbers and their equivalents.

♦, #, @, +, \$, + See Special Notes on Page 2-2

Table with 16 columns: To Be Replaced, ECG Replacement, To Be Replaced, ECG Replacement, To Be Replaced, ECG Replacement, To Be Replaced, ECG Replacement, To Be Replaced, ECG Replacement, To Be Replaced, ECG Replacement, To Be Replaced, ECG Replacement, To Be Replaced, ECG Replacement. Rows list various semiconductor components and their ECG equivalents.

When basing of original part differs from ECG replacement, basing for original part is shown in parentheses () after the part number. For example, the 2SA509A(ECB) is replaced by ECG159 which has "ECB" basing.

Table with 12 columns: To Be Replaced, ECG Replacement, To Be Replaced, ECG Replacement, To Be Replaced, ECG Replacement, To Be Replaced, ECG Replacement, To Be Replaced, ECG Replacement, To Be Replaced, ECG Replacement. It lists various semiconductor part numbers and their equivalents.

When basing of original part differs from ECG replacement, basing for original part is shown in parentheses () after the part number. For example, the 2SA509A(ECB) is replaced by ECG159 which has "ECB" basing.

Table with 16 columns: To Be Replaced, ECG Replacement, To Be Replaced, ECG Replacement, To Be Replaced, ECG Replacement, To Be Replaced, ECG Replacement, To Be Replaced, ECG Replacement, To Be Replaced, ECG Replacement, To Be Replaced, ECG Replacement, To Be Replaced, ECG Replacement. Contains thousands of part numbers and their equivalents.

*, #, @, ., +, \$, - See Special Notes on Page 2-2

Table with 12 columns: To Be Replaced, ECG Replacement, To Be Replaced, ECG Replacement, To Be Replaced, ECG Replacement, To Be Replaced, ECG Replacement, To Be Replaced, ECG Replacement, To Be Replaced, ECG Replacement. Contains thousands of entries for various semiconductor components.

When basing of original part differs from ECG replacement, basing for original part is shown in parentheses () after the part number. For example, the 2SA09A(ECB) is replaced by ECG159 which has "EBC" basing.

Table with 12 columns: To Be Replaced, ECG Replacement, To Be Replaced, ECG Replacement, To Be Replaced, ECG Replacement, To Be Replaced, ECG Replacement, To Be Replaced, ECG Replacement, To Be Replaced, ECG Replacement. It lists various semiconductor components and their equivalent part numbers.

When basing of original part differs from ECG replacement, basing for original part is shown in parentheses () after the part number. For example, the 25A509A(ECB) is replaced by ECG159 which has "EBC" basing.

Main table with 12 columns: To Be Replaced, ECG Replacement, To Be Replaced, ECG Replacement, To Be Replaced, ECG Replacement, To Be Replaced, ECG Replacement, To Be Replaced, ECG Replacement, To Be Replaced, ECG Replacement. Contains numerous part numbers and their equivalents.

When basing of original part differs from ECG replacement, basing for original part is shown in parentheses () after the part number. For example, the 2SA509A(ECB) is replaced by ECG159 which has "ECB" basing.

Table with 12 columns: To Be Replaced, ECG Replacement, To Be Replaced, ECG Replacement, To Be Replaced, ECG Replacement, To Be Replaced, ECG Replacement, To Be Replaced, ECG Replacement, To Be Replaced, ECG Replacement. Rows list various semiconductor components like transistors and diodes with their part numbers.

*, #, @, +, \$, % - See Special Notes on Page 2-2

Table with 12 columns: To Be Replaced, ECG Replacement, To Be Replaced, ECG Replacement, To Be Replaced, ECG Replacement, To Be Replaced, ECG Replacement, To Be Replaced, ECG Replacement, To Be Replaced, ECG Replacement. Contains thousands of semiconductor part numbers and their equivalents.

When basing of original part differs from ECG replacement, basing for original part is shown in parentheses () after the part number. For example, the 2SA509A(ECB) is replaced by ECG159 which has "ECB" basing.

Table with multiple columns for ECG Replacement. Each column lists a component type and its corresponding replacement part numbers.

* , * , * , * , * - See Special Notes on Page 2-2

Table with 12 columns: To Be Replaced, ECG Replacement, To Be Replaced, ECG Replacement, To Be Replaced, ECG Replacement, To Be Replaced, ECG Replacement, To Be Replaced, ECG Replacement, To Be Replaced, ECG Replacement. It lists various semiconductor part numbers and their equivalents.

When basing of original part differs from ECG replacement, basing for original part is shown in parentheses () after the part number. For example, the 2SA509A(ECB) is replaced by ECG159 which has "EEC" basing.

Table with multiple columns for ECG replacement parts. Headers include 'To Be Replaced' and 'ECG Replacement'. Rows list various components like resistors, capacitors, and transistors with their part numbers and values.

◆, ◆, @, *, +, §, ! - See Special Notes on Page 2-2

Table with 12 columns: To Be Replaced, ECG Replacement, To Be Replaced, ECG Replacement, To Be Replaced, ECG Replacement, To Be Replaced, ECG Replacement, To Be Replaced, ECG Replacement, To Be Replaced, ECG Replacement. Rows list various semiconductor part numbers and their corresponding ECG replacements.

When basing of original part differs from ECG replacement, basing for original part is shown in parentheses () after the part number. For example, the 2SA509A(ECB) is replaced by ECG159 which has "ECB" basing.

Main table with 12 columns: To Be Replaced, ECG Replacement, To Be Replaced, ECG Replacement, To Be Replaced, ECG Replacement, To Be Replaced, ECG Replacement, To Be Replaced, ECG Replacement, To Be Replaced, ECG Replacement. Rows list various semiconductor part numbers and their corresponding ECG replacements.

When basing of original part differs from ECG replacement, basing for original part is shown in parentheses () after the part number. For example, the 2SA509A(ECB) is replaced by ECG159 which has "EBC" basing.

Table with 12 columns: To Be Replaced, ECG Replacement, To Be Replaced, ECG Replacement, To Be Replaced, ECG Replacement, To Be Replaced, ECG Replacement, To Be Replaced, ECG Replacement, To Be Replaced, ECG Replacement. Contains numerous part numbers and their corresponding ECG replacements.

When basing of original part differs from ECG replacement, basing for original part is shown in parentheses () after the part number. For example, the 2SA509A(EOB) is replaced by ECG159 which has "EOB" basing.

Main replacement guide table with 8 columns: To Be Replaced, ECG Replacement, To Be Replaced, ECG Replacement, To Be Replaced, ECG Replacement, To Be Replaced, ECG Replacement. Contains various semiconductor part numbers and their equivalents.

♦, #, @, +, \$, - See Special Notes on Page 2-2

Fairchild "F" branded with part nbr is often mistaken as part of the nbr. Try locating nbr elsewhere by omitting "F". Ex: FPN3645 - Not Found PN3645 = ECG I59

F8 (Transistor) 2825
F8A06FF 3109
F8A12CF 3312
F8D(SCR) 5163
F8E3 5960
F8E3P 5963
F8P04C 6085#
F8P05Q 6086#
F8P06Q 6086#
F8P07 6086#
F8P08 6086#
F8P09 6086#
F8P10 6086#
F8P11 6086#
F8P12 6086#
F8P13 6086#
F8P14 6086#
F8P15 6086#
F8P16 6086#
F8P17 6086#
F8P18 6086#
F8P19 6086#
F8P20 6086#
F8P21 6086#
F8P22 6086#
F8P23 6086#
F8P24 6086#
F8P25 6086#
F8P26 6086#
F8P27 6086#
F8P28 6086#
F8P29 6086#
F8P30 6086#

Table with 4 columns: To Be Replaced, ECG Replacement, To Be Replaced, ECG Replacement. Contains multiple columns of semiconductor part numbers and their ECG equivalents.

Fairchild "E" branded with part nbr is often mistaken as part of the nbr. Try locating nbr otherwise by emitting "F"

Ex: FPN3645 - Not Found PN3645 = ECG159

When basing of original part differs from ECG replacement, basing for original part is shown in parentheses () after the part number.

Table with 16 columns: To Be Replaced, ECG Replacement, To Be Replaced, ECG Replacement, To Be Replaced, ECG Replacement, To Be Replaced, ECG Replacement, To Be Replaced, ECG Replacement, To Be Replaced, ECG Replacement, To Be Replaced, ECG Replacement, To Be Replaced, ECG Replacement. Contains thousands of semiconductor part numbers and their ECG equivalents.

Fairchild "F" branded with part nbr is often mistaken as part of the nbr. Try locating the nbr. Try locating the nbr elsewhere by omitting "F". Ex: FPN3645 - Not Found PN3645 = ECG159

When basing of original part differs from ECG replacement, basing for original part is shown in parentheses () after the part number. For example, the 2SA509A(159) is replaced by ECG159 which has "EBC" basing.

Table with columns: To Be Replaced, ECG Replacement, To Be Replaced, ECG Replacement, To Be Replaced, ECG Replacement, To Be Replaced, ECG Replacement, To Be Replaced, ECG Replacement. Contains numerous component and pin number entries.

*, #, ⊕, ⊖, +, ⚡ - See Special Notes on Page 2-2

Main table with columns: To Be Replaced, ECG Replacement, To Be Replaced, ECG Replacement, To Be Replaced, ECG Replacement, To Be Replaced, ECG Replacement, To Be Replaced, ECG Replacement. Contains thousands of entries for various semiconductor parts.

* , # , @ , * , + , - See Special Notes on Page 2-2

Table with 16 columns: To Be Replaced, ECG Replacement, To Be Replaced, ECG Replacement, To Be Replaced, ECG Replacement, To Be Replaced, ECG Replacement, To Be Replaced, ECG Replacement, To Be Replaced, ECG Replacement, To Be Replaced, ECG Replacement, To Be Replaced, ECG Replacement. It lists various electronic components and their direct or equivalent replacements.

•, ⊕, ⊖, † - See Special Notes on Page 2-2

Table with 16 columns: To Be Replaced, ECG Replacement, To Be Replaced, ECG Replacement, To Be Replaced, ECG Replacement, To Be Replaced, ECG Replacement, To Be Replaced, ECG Replacement, To Be Replaced, ECG Replacement, To Be Replaced, ECG Replacement, To Be Replaced, ECG Replacement. Rows list various semiconductor components and their equivalent part numbers.

When basing of original part differs from ECG replacement, basing for original part is shown in parentheses () after the part number. For example, the 2SA509A(ECB) is replaced by ECG159 which has "ECB" basing.

Main table with columns: To Be Replaced, ECG Replacement, To Be Replaced, ECG Replacement, To Be Replaced, ECG Replacement, To Be Replaced, ECG Replacement, To Be Replaced, ECG Replacement, To Be Replaced, ECG Replacement. Contains multiple columns of part numbers and their equivalents.

When basing of original part differs from ECG replacement, basing for original part is shown in parentheses () after the part number. For example, the 2SA509A(ECB) is replaced by ECG159 which has "ECB" basing.

Main table with 6 columns of ECG Semiconductor Part Numbers and their replacements. Columns are headed 'To Be Replaced', 'ECG Replacement', 'To Be Replaced', 'ECG Replacement', etc.

♦, #, @, ' +, \$, † - See Special Notes on Page 2-2

Table with 8 columns: To Be Replaced, ECG Replacement, To Be Replaced, ECG Replacement, To Be Replaced, ECG Replacement, To Be Replaced, ECG Replacement, To Be Replaced, ECG Replacement, To Be Replaced, ECG Replacement. It lists various semiconductor part numbers and their corresponding ECG replacement options across multiple columns.

When basing of original part differs from ECG replacement, basing for original part is shown in parentheses () after the part number. For example, the 2SA509A(ECB) is replaced by ECG159 which has "EBC" basing.

Table with 12 columns: To Be Replaced, ECG Replacement, To Be Replaced, ECG Replacement, To Be Replaced, ECG Replacement, To Be Replaced, ECG Replacement, To Be Replaced, ECG Replacement, To Be Replaced, ECG Replacement. Rows list various semiconductor part numbers and their equivalents.

*, #, @, ., +, \$: See Special Notes on Page 2-2

Table with 16 columns: To Be Replaced, ECG Replacement, To Be Replaced, ECG Replacement, To Be Replaced, ECG Replacement, To Be Replaced, ECG Replacement, To Be Replaced, ECG Replacement, To Be Replaced, ECG Replacement, To Be Replaced, ECG Replacement, To Be Replaced, ECG Replacement. Contains numerous part numbers and their equivalents.

When basing of original part differs from ECG replacement, basing for original part is shown in parentheses () after the part number. For example, the 2SA509A(ECB) is replaced by ECG159 which has "EBC" basing.

Table with 16 columns: To Be Replaced, ECG Replacement, To Be Replaced, ECG Replacement, To Be Replaced, ECG Replacement, To Be Replaced, ECG Replacement, To Be Replaced, ECG Replacement, To Be Replaced, ECG Replacement, To Be Replaced, ECG Replacement, To Be Replaced, ECG Replacement. It lists numerous semiconductor part numbers and their equivalents.

* , # , * , \$, † - See Special Notes on Page 2-2

Table with multiple columns: To Be Replaced, ECG Replacement, To Be Replaced, ECG Replacement, To Be Replaced, ECG Replacement, To Be Replaced, ECG Replacement, To Be Replaced, ECG Replacement, To Be Replaced, ECG Replacement. Lists various semiconductor part numbers and their ECG equivalents.

When basing of original part differs from ECG replacement, basing for original part is shown in parentheses () after the part number. For example, the 2SA509A(ECB) is replaced by ECG159 which has "ECB" basing.

Main table with columns: To Be Replaced, ECG Replacement, To Be Replaced, ECG Replacement, To Be Replaced, ECG Replacement, To Be Replaced, ECG Replacement, To Be Replaced, ECG Replacement. Contains multiple columns of part numbers and their equivalents.

* , # , @ , ~ , + , \$, - See Special Notes on Page 2-2

Table with 12 columns: To Be Replaced, ECG Replacement, To Be Replaced, ECG Replacement, To Be Replaced, ECG Replacement, To Be Replaced, ECG Replacement, To Be Replaced, ECG Replacement, To Be Replaced, ECG Replacement. Rows list various semiconductor components and their ECG equivalents.

When basing of original part differs from ECG replacement, basing for original part is shown in parentheses () after the part number. For example, the 2SA509A(ECB) is replaced by ECG159 which has "EBC" basing.

Table with 16 columns: To Be Replaced, ECG Replacement, To Be Replaced, ECG Replacement, To Be Replaced, ECG Replacement, To Be Replaced, ECG Replacement, To Be Replaced, ECG Replacement, To Be Replaced, ECG Replacement, To Be Replaced, ECG Replacement, To Be Replaced, ECG Replacement. Rows list various semiconductor components and their equivalent part numbers.

•, #, @, +, \$, † - See Special Notes on Page 2-2

Table with 16 columns: To Be Replaced, ECG Replacement, To Be Replaced, ECG Replacement, To Be Replaced, ECG Replacement, To Be Replaced, ECG Replacement, To Be Replaced, ECG Replacement, To Be Replaced, ECG Replacement, To Be Replaced, ECG Replacement, To Be Replaced, ECG Replacement. Rows list various semiconductor components and their equivalent ECG part numbers.

When basing of original part differs from ECG replacement, basing for original part is shown in parentheses () after the part number. For example, the 2SA509A(E0B) is replaced by ECG159 which has "EBC" basing.

Table with 10 columns: To Be Replaced, ECG Replacement, To Be Replaced, ECG Replacement, To Be Replaced, ECG Replacement, To Be Replaced, ECG Replacement, To Be Replaced, ECG Replacement. It lists various semiconductor part numbers and their equivalents.

◆, #, @, *, + - See Special Notes on Page 2-2

Table with 16 columns: To Be Replaced, ECG Replacement, To Be Replaced, ECG Replacement, To Be Replaced, ECG Replacement, To Be Replaced, ECG Replacement, To Be Replaced, ECG Replacement, To Be Replaced, ECG Replacement, To Be Replaced, ECG Replacement, To Be Replaced, ECG Replacement. Contains thousands of part number mappings.

When listing of original part differs from ECG replacement, basing for original part is shown in parentheses () after the part number. For example, the 2SA509A(ECB) is replaced by ECG159 which has "ECB" basing.

Table with 15 columns: To Be Replaced, ECG Replacement, To Be Replaced, ECG Replacement, To Be Replaced, ECG Replacement, To Be Replaced, ECG Replacement, To Be Replaced, ECG Replacement, To Be Replaced, ECG Replacement, To Be Replaced, ECG Replacement, To Be Replaced, ECG Replacement. Contains a comprehensive list of semiconductor components and their equivalents.

*. #. @. !. +. \$. † - See Special Notes on Page 2-2

Table with 12 columns: To Be Replaced, ECG Replacement, To Be Replaced, ECG Replacement, To Be Replaced, ECG Replacement, To Be Replaced, ECG Replacement, To Be Replaced, ECG Replacement, To Be Replaced, ECG Replacement. Rows list various semiconductor part numbers and their equivalents.

♦, *, @, +, \$, † - See Special Notes on Page 2-2

Table with columns: To Be Replaced, ECG Replacement, To Be Replaced, ECG Replacement, To Be Replaced, ECG Replacement, To Be Replaced, ECG Replacement, To Be Replaced, ECG Replacement, To Be Replaced, ECG Replacement. Rows list various semiconductor part numbers and their equivalents.

◆, ■, ⊕, *, △, † - See Special Notes on Page 2-2

Table with 12 columns: To Be Replaced, ECG Replacement, To Be Replaced, ECG Replacement, To Be Replaced, ECG Replacement, To Be Replaced, ECG Replacement, To Be Replaced, ECG Replacement, To Be Replaced, ECG Replacement. Contains numerous part numbers and their ECG equivalents.

When basing of original part differs from ECG replacement, basing for original part is shown in parentheses () after the part number. For example, the 2SA509A(EB2) is replaced by ECG159 which has "EB2" basing.

Main replacement guide table with columns: To Be Replaced, ECG Replacement, To Be Replaced, ECG Replacement, To Be Replaced, ECG Replacement, To Be Replaced, ECG Replacement, To Be Replaced, ECG Replacement, To Be Replaced, ECG Replacement. Contains numerous entries for various semiconductor models.

* , # , @ , * , + , † - See Special Notes on Page 2-2

To Be Replaced	ECG Replacement	To Be Replaced	ECG Replacement	To Be Replaced	ECG Replacement	To Be Replaced	ECG Replacement	To Be Replaced	ECG Replacement	To Be Replaced	ECG Replacement
MD501	102A	MDC922-9	170*	MDC2481-130UL	524V48	ME217	123A	MF1634	107	MH915A05	532
MD501B	102A	MDC940-1	125	MDC2481-180UL	524V48	ME408-02C	5072A	MF3304	159	MH915A06	532
MD604A	109	MDC940-2	125	MDC2500-02	2V050	ME409-02B	139A	MF05D390M	1V017	MH915A09	532
MD695	270	MDC940-3	125	MDC2500-06	2V050	ME900	159	MFC05D680M	1V030	MH915A10	532
MD695A	270	MDC942A-1	166	MDC2600-02	1V060	ME900A	123A	MFC14D201K	2V130	MH915A11	532
MD696	271	MDC942A-2	166	MDC2600-06	2V060	ME900B	123A	MFC14D321K	2V130	MH915A12	531
MD696A	271	MDC942A-3	167	MDC2750-02	1V075	ME901	123A	MFC14D381K	2V250	MH915A13	531
MD697	270	MDC942A-5	166	MDC2750-06	2V075	ME901A	133A	MFC14D511K	2V300	MH915A14	531
MD697A	270	MDC942A-6	169	MDC2950-02	1V095	ME1001	123A	MFC3321P	839	MH915A16	531
MD698	271	MDC942A-7	170	MDC2950-06	2V095	ME1002	123A	MFC4000	OBS-NLA	MH915A17	532
MD698A	271	MDC960-1	5312	MDC215110UT	2V150	ME1075	123A	MFC4000A	OBS-NLA	MH915A18	532
MD708	81	MDC960-2	5312	MDC215110UL	2V150	ME1110	154	MFC4000B	OBS-NLA	MH915A19	531
MD708A	81	MDC960-3	5313	MDD25-04N1	6220	ME1120	154	MFC4010	7538	MH915A20	531
MD708B	81	MDC960-5	5314	MDD25-06N1	6220	ME1138	229	MFC4010A	7538	MH915A21	522
MD752	136A	MDC970A1	6329	MDD25-08N1	6220	ME2001	139A	MFC4030	OBS-NLA	MH915A22	532
MD752A	136A	MDC970A2	6329	MDD25-12N1	6220	ME2002	123A	MFC4030A	OBS-NLA	MH915B01	532
MD753	137A	MDC970A3	6329	MDD26-08N1B	6220	ME3002	107	MFC4060	755	MH915C01	532
MD753A	137A	MDC970A5	6330	MDD26-12N1B	6220	ME3006A7	5742	MFC4060	755	MH919A01	522
MD757	139A	MDC970G1	5318	MDD26-14N1B	6220	ME3010A7	5743	MFC4060A	7578	MH919A02	522
MD757A	139A	MDC970G2	5318	MDD26-16N1B	6220	ME3012A7	5743	MFC4060A	7578	MH919A03	522
MD759	142A	MDC970G3	5318	MDD42-04N1	6220	ME3016A7	5743	MFC4062	7578	MH919A04	522
MD759A	142A	MDC970G5	5319	MDD42-06N1	6220	ME4001	123A	MFC4062A	7578	MH919A05	522
MD878	254	MDC970G6	5319	MDD42-08N1	6220	ME4002	123A	MFC4063A	759	MH919A06	522
MD918	81	MDC970G8	5320	MDD42-12N1	6220	ME4003	123A	MFC4064A	759	MH919A08	522
MD918A	81	MDC970G10	5320	MDD44-08N1B	6220	ME4003C	123A	MFC6010	7806	MH919A09	522
MD918B	81	MDC970G15	5318	MDD44-12N1B	6220	ME4101	123A	MFC6020	7616	MH919A11	522
MD954	141B	MDC980-1	5322	MDD55A06N	6220	ME4102	123A	MFC6020	OBS-NLA	MH919A12	522
MD985	81	MDC980-2	5322	MDD55A08N	6220	ME4103	123A	MFC6030A	OBS-NLA	MH919A13	522
MD1122	81	MDC980-3	5322	MDD55A09N	6220	ME4104	123A	MFC6032	7636	MH919A14	522
MD1123	82	MDC980-4	5324	MDD55A09N	6220	ME5001	108	MFC6032A	7636	MH919A15	522
MD1126	81	MDC980-5	5324	MDD55A12N	6220	ME6001	123A	MFC6033	7658	MH919A16	522
MD1127	81	MDC980-6	5326	MDD56-09N1B	6220	ME6002	123A	MFC6033A	7658	MH919A18	522
MD1129	81	MDC990-1	5340	MDD56-12N1B	6220	ME6003	123A	MFC6034	7658	MH919B01	522
MD1130	82	MDC990-2	5340	MDD56-14N1B	6222	ME7021	3027	MFC6034A	7658	MH919B03	522
MD1131	81	MDC990-3	5340	MDD56-16N1B	6222	ME7161	30068	MFC6040	829	MH919B05	522
MD1132	81	MDC990-4	5342	MDD56-18N1B	6222	ME8001	128	MFC6050	7673	MH919B07	522
MD1133	81	MDC990-5	5342	MDD65-06N1	6230	ME8002	128	MFC6050A	768	MH919D01	522
MD2218	81	MDC990-6	5342	MDD65-08N1	6230	ME8003	128	MFC6080	776	MH919D02	522
MD2218A	81	MDC990-7	5342	MDD65-12N1	6230	ME8201	108	MFC6080A	772A	MH919F02	522
MD2219	81	MDC990-7	5344	MDD72-08N1B	6230	ME9001	123A	MFC8020A	772A	MH919F03	522
MD2219A	81	MDC990-7	5344	MDD72-12N1B	6230	ME9002	107	MFC8021	772A	MH919F04	522
MD2904	82	MDC990-7	5344	MDD72-14N1B	6232	ME9003	107	MFC8021A	772A	MH919H01	522
MD2904A	82	MDC990-7	5344	MDD72-16N1B	6232	ME9021	108	MFC8022A	772A	MH919H02	522
MD2905	82	MDC990-7	5344	MDD95A06N	6230	ME9022	107	MFC8023	773	MH919H03	522
MD2905A	82	MDC990-7	5344	MDD95A08N	6230	ME10606	5741	MFC8023A	773	MH919H04	522
MD3133	82	MDC990-7	5344	MDD95A12N	6230	ME101303	5741	MFC8024	776	MH919H05	522
MD3134	82	MDC990-7	5344	MDD142-09N1	6234	ME101603	5741	MFC8025	776	MH919H06	522
MD3250	82	MDC990-7	5344	MDD142-12N1	6234	ME200605	5743*	MFC8026	772A	MH919H07	522
MD3250A	82	MDC990-7	5344	MDD142-14N1	6234	ME201205	5743*	MFC8027	772A	MH919H08	522
MD3251	82	MDC990-7	5344	MDD142-16N1	6234	ME201605	5743*	MFC8028	772A	MH919H09	522
MD3251A	82	MDC990-7	5344	MDD165-06N1	6236	ME300610	5744	MFC8029	772A	MH919H10	522
MD3409	81	MDC990-7	5344	MDD165-08N1	6236	ME301210	5745	MFC8030	776	MH919H11	522
MD3410	81	MDC990-7	5344	MDD165-10N1	6236	ME301610	5745	MFC8031	776	MH919H12	522
MD4055B	4055B	MDC990-7	5344	MDD165-12N1	6236	ME4002	5740	MFC8032	776	MH919H13	522
MD4055B	4055B	MDC990-7	5344	MDD165-14N1	6236	ME4003	5740	MFC8033	776	MH919H14	522
MD4055B	4055B	MDC990-7	5344	MDD165-16N1	6236	ME4004	5740	MFC8034	776	MH919H15	522
MD4055B	4055B	MDC990-7	5344	MDD165-18N1	6236	ME4005	5740	MFC8035	776	MH919H16	522
MD4055B	4055B	MDC990-7	5344	MDD165-20N1	6236	ME4006	5740	MFC8036	776	MH919H17	522
MD4368BC	8368B	MDC990-7	5344	MDD172-08N1	6234	ME4007	5740	MFC8037	776	MH919H18	522
MD4368BD	8368B	MDC990-7	5344	MDD172-12N1	6234	ME4008	5740	MFC8038	776	MH919H19	522
MD4368BE	8368B	MDC990-7	5344	MDD172-14N1	6234	ME500101	5742	MFC8039	776	MH919H20	522
MD4511B	4511B	MDC990-7	5344	MDD172-16N1	6234	ME500806	5744	MFC8040	776	MH919H21	522
MD7000	81	MDC990-7	5344	MDD172-18N1	6234	ME500810	5744	MFC8041	776	MH919H22	522
MD7000	81	MDC990-7	5344	MDD220-08N1	6238	ME501206	5743	MFC8042	776	MH919H23	522
MD7000	81	MDC990-7	5344	MDD220-12N1	6238	ME501206	5743	MFC8043	776	MH919H24	522
MD7000	81	MDC990-7	5344	MDD220-14N1	6238	ME501606	5743	MFC8044	776	MH919H25	522
MD7000	81	MDC990-7	5344	MDD220-16N1	6238	ME501610	5743	MFC8045	776	MH919H26	522
MD7000	81	MDC990-7	5344	MDD250-08N1	6238	ME701010	5745	MFC8046	776	MH919H27	522
MD7000	81	MDC990-7	5344	MDD250-12N1	6238	ME704002	5741	MFC8047	776	MH919H28	522
MD7000	81	MDC990-7	5344	MDD250-14N1	6238	ME704003	5741	MFC8048	776	MH919H29	522
MD7000	81	MDC990-7	5344	MDD250-16N1	6238	ME700802	5741	MFC8049	776	MH919H30	522
MD7000	81	MDC990-7	5344	MDD250-18N1	6238	ME700803	5741	MFC8050	776	MH919H31	522
MD7000	81	MDC990-7	5344	MDD250-20N1	6238	ME700804	5741	MFC8051	776	MH919H32	522
MD7000	81	MDC990-7	5344	MDD250-22N1	6238	ME701902	5741	MFC8052	776	MH919H33	522
MD7000	81	MDC990-7	5344	MDD312-12N1	6238	ME701203	5741	MFC8053	776	MH919H34	522
MD7000	81	MDC990-7	5344	MDD312-14N1	6238	ME701304	5743*	MFC8054	776	MH919H35	522
MD7000	81	MDC990-7	5344	MDD312-16N1	6238	ME701602	5741	MFC8055	776	MH919H36	522
MD7000	81	MDC990-7	5344	MDD312-18N1	6238	ME701603	5741	MFC8056	776	MH919H37	522
MD7000	81	MDC990-7	5344	MDD312-20N1	6238	ME701604	5741	MFC8057	776	MH919H38	522
MD7000	81	MDC990-7	5344	MDD312-22N1	6238	ME701605	5741	MFC8058	776	MH919H39	522
MD7000	81	MDC990-7	5344	MDD312-24N1	6238	ME701606	5741	MFC8059	776	MH919H40	522
MD7000	81	MDC990-7	5344	MDD312-26N1	6238	ME701607	5741	MFC8060	776	MH919H41	522
MD7000	81	MDC990-7	5344	MDD312-28N1	6238	ME701608	5741	MFC8061	776	MH919H42	522
MD7000	81	MDC990-7	5344	MDD312-30N1	6238	ME701609	5741	MFC8062	776	MH919H43	522
MD7000	81	MDC990-7	5344	MDD312-32N1	6238	ME701610	5741	MFC8063	776	MH919H44	522
MD7000	81	MDC990-7	5344	MDD312-34N1	6238	ME701611	5741	MFC8064	776	MH919H45	522
MD7000	81	MDC990-7	5344	MDD312-36N1	6238	ME701612	5741	MFC8065	776	MH919H46	522
MD7000	81	MDC990-7	5344	MDD312-38N1	6238	ME701613	5741	MFC8066	776	MH919H47	522
MD7000	81	MDC990-7	5344	MDD312-40N1	6238	ME701614	5741	MFC8067	776	MH919H48	522
MD7000	81	MDC990-7	5344	MDD312-42N1	6238	ME701615	5741	MFC8068	776	MH919H49	522
MD7000	81	MDC990-7	5344	MDD312-44N1	6238	ME701616	5741	MFC8069	776	MH919H50	522
MD7000	81	MDC990-7	5344	MDD312-46N1	6238	ME701617	5741	MFC8070	776	MH919H51	522
MD7000	81	MDC990-7	5344	MDD312-48N1	6238	ME701618	5741	MFC8071	776	MH919H52	522
MD7000	81	MDC990-7	5344	MDD312-50N1	6238	ME701619	5741	MFC8072	776	MH919H53	522
MD7000	81	MDC990-7	5344	MDD312-52N1	6238	ME701620	5741	MFC8073	776	MH919H54	522
MD7000	81	MDC990-7	5344	MDD312-54N1	623						

To Be Replaced	ECG Replacement	To Be Replaced	ECG Replacement	To Be Replaced	ECG Replacement	To Be Replaced	ECG Replacement	To Be Replaced	ECG Replacement
MHT4401	126	MIC7417N	7417	MIC74165J	74165	MJ10000	98	MJE521K	241
MHT4411	128	MIC7420J	7420	MIC74165N	74165	MJ10001	98	MJE700	254
MHT4412	128	MIC7420N	7420	MIC74180J	74180	MJ10002	97	MJE700T	262
MHT4413	128	MIC7421J	7421	MIC74180N	74180	MJ10003	97	MJE701	254
MHT4451	126	MIC7421N	7421	MIC74190J	74190	MJ10004	98	MJE701T	262
MHT4453	128	MIC7425N	7425	MIC74191J	74191	MJ10005	98	MJE702	262
MHT4511	128	MIC7425J	7425	MIC74191N	74191	MJ10005P	256	MJE703	254
MHT4512	128	MIC7426J	7426	MIC74192J	74192	MJ10005P-1	256	MJE703T	262
MHT5906	152	MIC7428	7428	MIC74192N	74192	MJ10006	97	MJE710	185
MHT7401	128	MIC7428J	7428	MIC74193J	74193	MJ10007	97	MJE711	185
MHT7411	128	MIC7428N	7428	MIC74193N	74193	MJ10008	98	MJE712	186
MHT7412	128	MIC7430J	7430	MIC74195J	74195	MJ10009	98	MJE720	184
MHT7414	128	MIC7430N	7430	MIC74195N	74195	MJ10012	98	MJE721	184
MHT7417	128	MIC7432J	7432	MJ31	3007	MJ10004F	24	MJE722	184
MHT7601	130	MIC7432N	7432	ML32	3007	MJ10022	99	MJE800	253
MHT7602	130	MIC7433A	7433	ML38	3007	ML10023	99	MJE800T	261
MHT7603	130	MIC7437J	7437	ML105	3020	ML10021	2350*	MJE801	263
MHT7607	130	MIC7437N	7437	MIL95	3020	ML10101	2349*	MJE801T	261
MHT7808	130	MIC7438J	7438	MIS13674/47	234	ML10103	2350*	MJE802	263
MHT7809	130	MIC7438N	7438	MIS14150-18	101	ML10104	2349*	MJE802T	261
MHT9001	128	MIC7440J	7440	MIS14150-18A	101	ML10105	2350*	MJE803	263
MHT9002	128	MIC7442J	7442	MIS14150/37	154	MJ11015	2350*	MJE803T	263
MHT9004	128	MIC7442N	7442	MIS18101-3	9932	MJ11016	2349*	MJE1002	2337
MHT9005	128	MIC7444J	7444	MIS-18101-4	9932	MJ11023	2349	MJE1090	258
MHT9005	128	MIC7444N	7444	MIS-18101-5	9945	MJ11029	2350	MJE1091	258
MHT18010	105	MIC7445J	7445	MJ105	3020	MJ11030	2349	MJE1092	258
MI-15MR	116	MIC7443J	7443	MJ408	124	MJ11032	2350	MJE1093	258
MI-15MS	116	MIC7443N	7443	MJ408	283	MJ11032	2349	MJE1100	257
MI-15R	116	MIC7443J	7443	MJ410	94	MJ11033	2350	MJE1101	257
MI15R	116	MIC7444J	7444	MJ411	94	MJ12002	389	MJE1102	257
MI15RC	116	MIC7444N	7444	MJ413	385	MJ12003	389	MJE1103	257
MI15S	116	MIC7445J	7445	MJ420	154	MJ12004	165	MJE1909	235
MI-15S	116	MIC7445N	7445	MJ421	396	MJ12005	262	MJE2000	262
MI-106	116	MIC7446J	7446	MJ423	385	MJ12010	231*	MJE2001	262
MI-106R	116	MIC7447J	7447	MJ424	396	MJ12011	231*	MJE2002	262
MI-151	125	MIC7447N	7447	MJ425	283	MJ12021	2319	MJE2093	262
MI-151R	125	MIC7448J	7448	MJ430	53	MJ12022	2319	MJE2100	261
MI-152	125	MIC7450J	7450	MJ431	53	MJ13014	385	MJE2101	261
MI-152A	125	MIC7450N	7450	MJ450	180	MJ13015	2319	MJE2103	261
MI-152R	125	MIC7451J	7451	MJ480	130	MJ13070	52	MJE2360	198
MI152RA	125	MIC7451N	7451	MJ481	130	MJ13071	52	MJE2360T	198
MI152RA	125	MIC7453J	7453	MJ490	281	MJ13080	2319	MJE2361	198
MI-301	563*	MIC7454J	7454	MJ491	281	MJ13081	2319	MJE2361T	198
MI546	106	MIC7454N	7454	MJ492	281	MJ13082	2319	MJE2362	241
MI923	123A	MIC7460J	7460	MJ802	181	MJ13091	2319	MJE2371	242
MI930	123A	MIC7460N	7460	MJ900	244	MJ13330	386	MJE2480	241
MIC709-5(DIP)	908D	MIC7470J	7470	MJ901	244	MJ13331	386	MJE2481	241
MIC709-5(Metal Can)	909	MIC7470N	7470	MJ1000	243	MJ13332	386	MJE2482	241
MIC710-5(DIP)	910D	MIC7472J	7472	MJ1001	262	MJ13333	386	MJ13881CP-4N	3881
MIC710-5(Metal Can)	910	MIC7472N	7472	MJ1002	162	MJ13334	386	MJ13882CP-4N	3882
MIC710-5C	910D	MIC7473J	7473	MJ2249	384	MJ13335	386	MJ16010	2311*
MIC711-5(Metal Can)	911	MIC7473N	7473	MJ2250	384	MJ15001	61	MJ16011	2311*
MIC723-5(DIP)	923D	MIC7474J	7474	MJ2352	124	MJ15002	60	MJ16012	2365*
MIC723-5(Metal Can)	923	MIC7474N	7474	MJ2353	218	MJ15003	60	MJ16013	2365*
MIC741-5(DIP)	941D	MIC7475J	7475	MJ2524	218	MJ15004	61	MJ16014	2365*
MIC741-5(Metal Can)	941	MIC7475N	7475	MJ2267	285	MJ15012	68	MJ2801T	331
MIC930-5D	9930	MIC7476J	7476	MJ2288	285	MJ15012G	88	MJ2901	1836
MIC930-5P	9930	MIC7476N	7476	MJ2501	246	MJ15015	388	MJ2901T	332
MIC931-5D	9931	MIC7478J	7478	MJ2502	246	MJ15018	388	MJ2940	130
MIC931-5P	9931	MIC7478N	7478	MJ2503	246	MJ15019	388	MJ2940T	130
MIC932-5D	9932	MIC7481J	7481	MJ2802	130	MJ15019	388	MJ2955K	332
MIC932-5P	9932	MIC7481N	7481	MJ2840	284	MJ15020	87	MJ2965T	332
MIC933-5D	9933	MIC7482J	7482	MJ2841	284	MJ15021	88	MJ3054	241
MIC933-5P	9933	MIC7482N	7482	MJ2901	219	MJ15022	388	MJ1747CP	947D
MIC935-5D	9935	MIC7483J	7483	MJ2955	219	MJ15023	68	MK2147-55	2147
MIC935-5P	9935	MIC7483N	7483	MJ2955A	219	MJ15024	388	MJ2147-70	2147
MIC936-5D	9936	MIC7486J	7486	MJ3000	245	MJ15025	66	MK2147-90	2147
MIC936-5P	9936	MIC7486N	7486	MJ3001	245	MJ15050	388	MK2147N-55	2147
MIC937-5D	9937	MIC7490J	7490	MJ3002	245	MJ15052	388	MJ175110	2311*
MIC937-5P	9937	MIC7490N	7490	MJ3008	162	MJ15053	388	MJ175112	2365*
MIC941-5D	9941	MIC7491J	7491	MJ3027	162	MJ15054	88	MK1V-115	5418
MIC941-5P	9941	MIC7491N	7491	MJ3028	94	MJ15531	68	MK1V-125	5418
MIC944-5D	9944	MIC7492J	7492	MJ3029	82	MJ15532	88	MK-10	619
MIC944-5P	9944	MIC7492N	7492	MJ3030	263	MJ16002	2319	MK10-2	312
MIC945-5D	9945	MIC7493J	7493A	MJ3031	98	MJ16002A	2324*	MK10-2	312
MIC945-5P	9945	MIC7493N	7493A	MJ3041	98	MJ16004	2319	MK10-3	312
MIC946-5D	9946	MIC7494J	7494	MJ3042	98	MJ16006	2319	MK10-7	976
MIC946-5P	9946	MIC7494N	7494	MJ3101	384	MJ16008	2324*	MK10-7A	976
MIC948-5D	9948	MIC7495J	7495	MJ3201	124	MJ16010	2319	MK107-14(Zenith)	9014A
MIC948-5P	9948	MIC7495N	7495	MJ3202	124	MJ16012	2319	MK1011C05	539
MIC949-5D	9949	MIC9093-5D	9093	MJ3260	283	MJ16018	2365*	MK2147	2147
MIC949-5P	9949	MIC9093-5P	9093	MJ3430	385	MJ16018	2365*	MK2147-55	2147
MIC950-5D	9950	MIC9094-5D	9094	MJ3480	165	MJ16110	2319	MK2147-70	2147
MIC950-5P	9950	MIC9094-5P	9094	MJ3480	385	MJ16110	2319	MK2147-90	2147
MIC951-5D	9951	MIC9097-5D	9097	MJ3520	245	MJ16113	68	MK2147N-55	2147
MIC951-5P	9951	MIC9097-5P	9097	MJ3521	245	MJ16119	68	MK2147N-90	2147
MIC951-5P	9951	MIC9097-5P	9097	MJ3701	218	MJ21194	388	MK2147N-90	2147
MIC951-5P	9951	MIC9097-5P	9097	MJ3771(Audio)	181	MJ2194	388	MK2147N-90	2147
MIC951-5P	9951	MIC9097-5P	9097	MJ3772(Audio)	181	MJ34000	243	MK2147N-90	2147
MIC951-5P	9951	MIC9097-5P	9097	MJ3773	389	MJD45H11	378	MK2147N-90	2147
MIC951-5P	9951	MIC9097-5P	9097	MJ4000	183	MJE1975	1836	MK2147N-90	2147
MIC951-5P	9951	MIC9097-5P	9097	MJ4001	243	MJE1976	1836	MK2147N-90	2147
MIC951-5P	9951	MIC9097-5P	9097	MJ4010	243	MJE1977	1836	MK2147N-90	2147
MIC951-5P	9951	MIC9097-5P	9097	MJ4011	243	MJE1978	1836	MK2147N-90	2147
MIC2114-45	2114	MIC74109J	74109	MJ4011	243	MJE1979	1836	MK2147N-90	2147
MIC2114-45	2114	MIC74109N	74109	MJ4030	250	MJE1982	1836	MK2147N-90	2147
MIC2114-45	2114	MIC74121J	74121	MJ4031	250	MJE1983	1836	MK2147N-90	2147
MIC2114-45	2114	MIC74121N	74121	MJ4032	250	MJE1984	1836	MK2147N-90	2147
MIC2114-45	2114	MIC74122J	74122	MJ4033	249	MJE1985	1836	MK2147N-90	2147
MIC2114-45	2114	MIC74122N	74122	MJ4034	249	MJE1986	1836	MK2147N-90	2147
MIC2114-45	2114	MIC74123J	74123	MJ4035	249	MJE1987	1836	MK2147N-90	2147
MIC2114-45	2114	MIC74123N	74123	MJ4036	249	MJE1988	1836	MK2147N-90	2147
MIC2114-45	2114	MIC74141J	74141	MJ4037	249	MJE1989	1836	MK2147N-90	2147
MIC2114-45	2114	MIC74141N	74141	MJ4101	243	MJE1990	1836	MK2147N-90	2147
MIC2114-45	2114	MIC74141N	74141	MJ4102	243	MJE1991	1836	MK2147N-90	2147
MIC2114-45	2114	MIC74141N	74141	MJ4103	243	MJE1992	1836	MK2147N-90	2147
MIC2114-45	2114	MIC74141N	74141	MJ4237	285	MJE1993	1836	MK2147N-90	2147
MIC2114-45	2114	MIC74141N	74141	MJ4238	285	MJE1994	1836	MK2147N-90	2147
MIC2114-45	2114	MIC74141N	74141	MJ4247	284	MJE1995	1836	MK2147N-90	2147
MIC2114-45	2114	MIC74141N	74141	MJ4248	284	MJE1996	1836	MK2147N-90	2147
MIC2114-45	2114	MIC74141N	74141	MJ4502	160	MJE1997	1836	MK2147N-90	2147
MIC2114-45	2114	MIC74141N	74141	MJ4645	129	MJE1998	1836	MK2147N-90	2147
MIC2114-45	2114	MIC74141N	74141	MJ4646	397	MJE1999	1836	MK2147N-90	2147
MIC2114-45	2114	MIC74141N	74141	MJ4647	397	MJE2000	262	MK2147N-90	2147
MIC2114-45	2114	MIC74141N	74141	MJ5008					

To Be Replaced	ECG Replacement	To Be Replaced	ECG Replacement	To Be Replaced	ECG Replacement	To Be Replaced	ECG Replacement	To Be Replaced	ECG Replacement	To Be Replaced	ECG Replacement	To Be Replaced	ECG Replacement
MLM324P1	987	MM74C163J	40163B	MM74HCT374N	74HCT374	MM3006	2347	MM5628AJ	4028B	MMBT706A	2406	MMBTASS	2411
MLM331G	922	MM74C163N	40163B	MM80C95J	80C95	MM3007	324	MM5628AN	4028B	MMBT930	2406	MMBTASS5	2411
MLM339AL	534	MM74C164	74C164	MM80C95J	80C95	MM3009	154	MM5629A	4029B	MMBT930A	2406	MMBTASS6	2411
MLM339B	534	MM74C164J	74C164	MM80C95N	80C95	MM3014	190	MM5629AJ	4029B	MMBT930A	2406	MMBTASS7	2411
MLM358G	926	MM74C164N	74C164	MM80C95PN	80C95	MM3100	154	MM5629AN	4029B	MMBT2218A	2406	MMBTAS56LT1	2411
MLM358P1	928M	MM74C173	74C173	MM80C96	80C96	MM3101	154	MM5630A	4030B	MMBT2219	2406	MMBTAT70	2407
MLM358P2	928M	MM74C173J	74C173	MM80C96J	80C96	MM3903	123A	MM5630AJ	4030B	MMBT2219A	2406	MMBTAT70L	2407
MLM565GP	989	MM74C173N	74C173	MM80C96N	80C96	MM3904	123A	MM5630AN	4030B	MMBT2221	2406	MMBTAT70L	2407
MLM2901P	834	MM74C174	74C174	MM80C96PN	80C96	MM3905	159	MM5631A	4031B	MMBT2221A	2406	MMBTTL01	2410
MLM2902P	987	MM74C174J	74C174	MM80C97	80C97	MM3906	159	MM5631AJ	4031B	MMBT2222	2406	MMBTTL51	2411
MLN343A	5068A	MM74C174N	74C174	MM80C97J	80C97	MM4000	397	MM5631AN	4031B	MMBT2224A	2406	MMCS807	610
MLN3439A	5067A	MM74C175	74C175	MM80C97N	80C97	MM4001	397	MM5633A	4033B	MMBT2224A	2407	MMCS807	610
MLN3439B	5067A	MM74C175J	74C175	MM80C98	80C98	MM4002	397	MM5633AJ	4033B	MMBT2224A	2408	MMCS807	610
MLN3439C	5067A	MM74C175N	74C175	MM80C98J	80C98	MM4003	397	MM5633AN	4033B	MMBT2904	2407	MMCS807	610
MLN3439D	5067A	MM74C175N	74C175	MM80C98N	80C98	MM4004	329	MM5640A	4040B	MMBT2904A	2407	MMCS807	610
MLN3439E	5067A	MM74C192J	74C192	MM80C98PN	80C98	MM4005	329	MM5640AJ	4040B	MMBT2905	2407	MMCS807	610
MLN3439F	5067A	MM74C192N	74C192	MM80C99	80C99	MM4006	160	MM5640AN	4040B	MMBT2905A	2407	MMCS807	610
MLN3439G	5067A	MM74C193	74C193	MM80C99J	80C99	MM4007	129	MM5642A	4042B	MMBT2906	2407	MMCS807	610
MLN3439H	5067A	MM74C193J	74C193	MM80C99N	80C99	MM4008	129	MM5642AJ	4042B	MMBT2906A	2407	MMCS807	610
MLN3439I	5067A	MM74C193N	74C193	MM80C99PN	80C99	MM4009	129	MM5642AN	4042B	MMBT2907	2407	MMCS807	610
MLN3439J	5067A	MM74C193N	74C193	MM80C99PN	80C99	MM4010	129	MM5642AN	4042B	MMBT2907A	2407	MMCS807	610
MLN3439K	5067A	MM74C193N	74C193	MM80C99PN	80C99	MM4011	129	MM5642AN	4042B	MMBT2908	2407	MMCS807	610
MLN3439L	5067A	MM74C193N	74C193	MM80C99PN	80C99	MM4012	129	MM5642AN	4042B	MMBT2909	2407	MMCS807	610
MLN3439M	5067A	MM74C193N	74C193	MM80C99PN	80C99	MM4013	129	MM5642AN	4042B	MMBT2910	2407	MMCS807	610
MLN3439N	5067A	MM74C193N	74C193	MM80C99PN	80C99	MM4014	129	MM5642AN	4042B	MMBT2911	2407	MMCS807	610
MLN3439O	5067A	MM74C193N	74C193	MM80C99PN	80C99	MM4015	129	MM5642AN	4042B	MMBT2912	2407	MMCS807	610
MLN3439P	5067A	MM74C193N	74C193	MM80C99PN	80C99	MM4016	129	MM5642AN	4042B	MMBT2913	2407	MMCS807	610
MLN3439Q	5067A	MM74C193N	74C193	MM80C99PN	80C99	MM4017	129	MM5642AN	4042B	MMBT2914	2407	MMCS807	610
MLN3439R	5067A	MM74C193N	74C193	MM80C99PN	80C99	MM4018	129	MM5642AN	4042B	MMBT2915	2407	MMCS807	610
MLN3439S	5067A	MM74C193N	74C193	MM80C99PN	80C99	MM4019	129	MM5642AN	4042B	MMBT2916	2407	MMCS807	610
MLN3439T	5067A	MM74C193N	74C193	MM80C99PN	80C99	MM4020	129	MM5642AN	4042B	MMBT2917	2407	MMCS807	610
MLN3439U	5067A	MM74C193N	74C193	MM80C99PN	80C99	MM4021	129	MM5642AN	4042B	MMBT2918	2407	MMCS807	610
MLN3439V	5067A	MM74C193N	74C193	MM80C99PN	80C99	MM4022	129	MM5642AN	4042B	MMBT2919	2407	MMCS807	610
MLN3439W	5067A	MM74C193N	74C193	MM80C99PN	80C99	MM4023	129	MM5642AN	4042B	MMBT2920	2407	MMCS807	610
MLN3439X	5067A	MM74C193N	74C193	MM80C99PN	80C99	MM4024	129	MM5642AN	4042B	MMBT2921	2407	MMCS807	610
MLN3439Y	5067A	MM74C193N	74C193	MM80C99PN	80C99	MM4025	129	MM5642AN	4042B	MMBT2922	2407	MMCS807	610
MLN3439Z	5067A	MM74C193N	74C193	MM80C99PN	80C99	MM4026	129	MM5642AN	4042B	MMBT2923	2407	MMCS807	610
MLN3439A	5067A	MM74C193N	74C193	MM80C99PN	80C99	MM4027	129	MM5642AN	4042B	MMBT2924	2407	MMCS807	610
MLN3439B	5067A	MM74C193N	74C193	MM80C99PN	80C99	MM4028	129	MM5642AN	4042B	MMBT2925	2407	MMCS807	610
MLN3439C	5067A	MM74C193N	74C193	MM80C99PN	80C99	MM4029	129	MM5642AN	4042B	MMBT2926	2407	MMCS807	610
MLN3439D	5067A	MM74C193N	74C193	MM80C99PN	80C99	MM4030	129	MM5642AN	4042B	MMBT2927	2407	MMCS807	610
MLN3439E	5067A	MM74C193N	74C193	MM80C99PN	80C99	MM4031	129	MM5642AN	4042B	MMBT2928	2407	MMCS807	610
MLN3439F	5067A	MM74C193N	74C193	MM80C99PN	80C99	MM4032	129	MM5642AN	4042B	MMBT2929	2407	MMCS807	610
MLN3439G	5067A	MM74C193N	74C193	MM80C99PN	80C99	MM4033	129	MM5642AN	4042B	MMBT2930	2407	MMCS807	610
MLN3439H	5067A	MM74C193N	74C193	MM80C99PN	80C99	MM4034	129	MM5642AN	4042B	MMBT2931	2407	MMCS807	610
MLN3439I	5067A	MM74C193N	74C193	MM80C99PN	80C99	MM4035	129	MM5642AN	4042B	MMBT2932	2407	MMCS807	610
MLN3439J	5067A	MM74C193N	74C193	MM80C99PN	80C99	MM4036	129	MM5642AN	4042B	MMBT2933	2407	MMCS807	610
MLN3439K	5067A	MM74C193N	74C193	MM80C99PN	80C99	MM4037	129	MM5642AN	4042B	MMBT2934	2407	MMCS807	610
MLN3439L	5067A	MM74C193N	74C193	MM80C99PN	80C99	MM4038	129	MM5642AN	4042B	MMBT2935	2407	MMCS807	610
MLN3439M	5067A	MM74C193N	74C193	MM80C99PN	80C99	MM4039	129	MM5642AN	4042B	MMBT2936	2407	MMCS807	610
MLN3439N	5067A	MM74C193N	74C193	MM80C99PN	80C99	MM4040	129	MM5642AN	4042B	MMBT2937	2407	MMCS807	610
MLN3439O	5067A	MM74C193N	74C193	MM80C99PN	80C99	MM4041	129	MM5642AN	4042B	MMBT2938	2407	MMCS807	610
MLN3439P	5067A	MM74C193N	74C193	MM80C99PN	80C99	MM4042	129	MM5642AN	4042B	MMBT2939	2407	MMCS807	610
MLN3439Q	5067A	MM74C193N	74C193	MM80C99PN	80C99	MM4043	129	MM5642AN	4042B	MMBT2940	2407	MMCS807	610
MLN3439R	5067A	MM74C193N	74C193	MM80C99PN	80C99	MM4044	129	MM5642AN	4042B	MMBT2941	2407	MMCS807	610
MLN3439S	5067A	MM74C193N	74C193	MM80C99PN	80C99	MM4045	129	MM5642AN	4042B	MMBT2942	2407	MMCS807	610
MLN3439T	5067A	MM74C193N	74C193	MM80C99PN	80C99	MM4046	129	MM5642AN	4042B	MMBT2943	2407	MMCS807	610
MLN3439U	5067A	MM74C193N	74C193	MM80C99PN	80C99	MM4047	129	MM5642AN	4042B	MMBT2944	2407	MMCS807	610
MLN3439V	5067A	MM74C193N	74C193	MM80C99PN	80C99	MM4048	129	MM5642AN	4042B	MMBT2945	2407	MMCS807	610
MLN3439W	5067A	MM74C193N	74C193	MM80C99PN	80C99	MM4049	129	MM5642AN	4042B	MMBT2946	2407	MMCS807	610
MLN3439X	5067A	MM74C193N	74C193	MM80C99PN	80C99	MM4050	129	MM5642AN	4042B	MMBT2947	2407	MMCS807	610
MLN3439Y	5067A	MM74C193N	74C193	MM80C99PN	80C99	MM4051	129	MM5642AN	4042B	MMBT2948	2407	MMCS807	610
MLN3439Z	5067A	MM74C193N	74C193	MM80C99PN	80C99	MM4052	129	MM5642AN	4042B	MMBT2949	2407	MMCS807	610
MLN3439A	5067A	MM74C193N	74C193	MM80C99PN	80C99	MM4053	129	MM5642AN	4042B	MMBT2950	2407	MMCS807	610
MLN3439B	5067A	MM74C193N	74C193	MM80C99PN	80C99	MM4054	129	MM5642AN	4042B	MMBT2951	2407	MMCS807	610
MLN3439C	5067A	MM74C193N	74C193	MM80C99PN	80C99	MM4055	129	MM5642AN	4042B	MMBT2952	2407	MMCS807	610
MLN3439D	5067A	MM74C193N	74C193	MM80C99PN	80C99	MM4056	129	MM5642AN	4042B	MMBT2953	2407	MMCS807	610
MLN3439E	5067A	MM74C193N	74C193	MM80C99PN	80C99	MM4057	129	MM5642AN	4042B	MMBT2954	2407	MMCS807	610
MLN3439F	5067A	MM74C193N	74C193	MM80C99PN	80C99	MM4058	129	MM5642AN	4042B	MMBT2955	2407	MMCS807	610
MLN3439G	5067A	MM74C193N	74C193	MM80C99PN	80C99	MM4059	129	MM5642AN	4042B	MMBT2956	2407	MMCS807	610
MLN3439H	5067A	MM74C193N	74C193	MM80C99PN	80C99	MM4060	129	MM5642AN	4042B	MMBT2957	2407	MMCS807	610
MLN3439I	5067A	MM74C193N	74C193	MM80C99PN	80C99	MM4061	129	MM5642AN	4042B	MMBT2958	2407	MMCS807	610
MLN3439J	5067A	MM74C193N	74C193	MM80C99PN	80C99	MM4062	129	MM5642AN	4042B	MMBT2959	2407	MMCS807	610

Table with columns: To Be Replaced, ECG Replacement, To Be Replaced, ECG Replacement, To Be Replaced, ECG Replacement, To Be Replaced, ECG Replacement, To Be Replaced, ECG Replacement, To Be Replaced, ECG Replacement. Rows list various semiconductor part numbers and their equivalents.

* , # , + , \$, - See Special Notes on Page 2-2

Table with 16 columns: To Be Replaced, ECG Replacement, To Be Replaced, ECG Replacement, To Be Replaced, ECG Replacement, To Be Replaced, ECG Replacement, To Be Replaced, ECG Replacement, To Be Replaced, ECG Replacement, To Be Replaced, ECG Replacement, To Be Replaced, ECG Replacement. Contains a comprehensive list of semiconductor part numbers and their equivalents.

When basing on original part differs from ECG replacement, basing for original part is shown in parentheses () after the part number. For example, the 2SA509A(ECB) is replaced by ECG159 which has "ECB" basing.

Table with 16 columns: To Be Replaced, ECG Replacement, To Be Replaced, ECG Replacement, To Be Replaced, ECG Replacement, To Be Replaced, ECG Replacement, To Be Replaced, ECG Replacement, To Be Replaced, ECG Replacement, To Be Replaced, ECG Replacement, To Be Replaced, ECG Replacement. Contains numerous semiconductor part numbers and their equivalents.

♦, #, ., *, \$, † - See Special Notes on Page 2-2

Main table with 12 columns: To Be Replaced, ECG Replacement, To Be Replaced, ECG Replacement, To Be Replaced, ECG Replacement, To Be Replaced, ECG Replacement, To Be Replaced, ECG Replacement, To Be Replaced, ECG Replacement. Contains part numbers and their equivalents.

When basing of original part differs from ECG replacement, basing for original part is shown in parentheses () after the part number. For example, the 2SA509A(ECB) is replaced by ECG159 which has "EBC" basing.

To Be Replaced	ECG Replacement	To Be Replaced	ECG Replacement	To Be Replaced	ECG Replacement	To Be Replaced	ECG Replacement	To Be Replaced	ECG Replacement	To Be Replaced	ECG Replacement	To Be Replaced	ECG Replacement
N7401N	7401	N7445B	7445	N8269F	7480	N74128N	74128	N74195F	74195	NA03005	5940	NA32XXG	129P
N7402	7402	N7445F	7445	N8269N	7480	N74132F	74132	N74195N	74195	NA05005	5940	NA32XXH	129P
N7402A	7402	N7445N	7445	N8270	74176	N74132B	74132	N74196	74196	NA1	5940	NA32XJ	129P
N7402F	7402	N7446	7446	N8270F	74176	N74132F	74132	N74196F	74196	NA11	5934	NA32XJ	129P
N7402N	7402	N7446B	7446	N8270N	74176	N74132N	74132	N74196N	74196	NA11E	123AP	NA32XX	129P
N7403	7403	N7446F	7446	N8271	74179	N74136SF	74136	N74197	74197	NA11EG	128P	NA32XX	129P
N7403A	7403	N7446N	7446	N8271F	74179	N74136F	74136	N74197F	74197	NA11EH	128P	NA33	116
N7403F	7403	N7447	7447	N8271N	74179	N74136SF	74136	N74197N	74197	NA11EH	128P	NA33	116
N7403N	7403	N7447B	7447	N8280	74176	N74143SF	74136	N74198	74198	NA11EJ	128P	NA35	116
N7404	7404	N7447F	7447	N8280F	74176	N74143F	74136	N74198F	74198	NA36	116	NA36	116
N7404A	7404	N7447N	7447	N8281	74177	N74145F	74136	N74198N	74198	NA11EY	123AP	NA39	116
N7404F	7404	N7448	7448	N8281F	74177	N74145B	74145	N74199	74199	NA11FG	24	NA42	116
N7404N	7404	N7448B	7448	N8281N	74177	N74145F	74145	N74199F	74199	NA11FH	24	NA45	116
N7405	7405	N7448F	7448	N8282	74177	N74145N	74145	N74199N	74199	NA11FI	24	NA46	116
N7405A	7405	N7448N	7448	N8282F	74177	N74147	74147	N74221	74221	NA11FJ	24	NA46	116
N7405F	7405	N7450	7450	N8282N	74177	N74147F	74147	N74221F	74221	NA11FX	24	NA62	5909
N7405N	7405	N7450A	7450	N8290N	74196	N74147N	74147	N74221N	74221	NA11FY	24	NA69	5909
N7406	7406	N7450F	7450	N8291	74197	N74147SF	74147	N74221SF	74221	NA11HG(CBE)	128P	NA65	5909
N7406A	7406	N7450N	7450	N8291F	74197	N74150	74150	N74293SF	74293	NA12H(CBE)	128P	NA65	5909
N7406F	7406	N7451	7451	N8291N	74197	N74150F	74150	N74293SF	74293	NA11H(CBE)	128P	NA74	125
N7406N	7406	N7451A	7451	N8293	74197	N74150N	74150	N74365A	74365	NA11H(CBE)	128P	NA75	125
N7407	7407	N7451F	7451	N8293F	74197	N74151	74151	N74365AF	74365	NA11HV(CBE)	128P	NA76	125
N7407A	7407	N7451N	7451	N8293N	74197	N74151A	74151	N74365AN	74365	NA11HV(CBE)	128P	NA76	125
N7407F	7407	N7453	7453	N8222	74197	N74151AF	74151	N74365SF	74365	NA11HX(CBE)	128P	NA84	125
N7407N	7407	N7453A	7453	N8455	7440	N74151AN	74151	N74365SF	74365	NA12E	159	NA85	125
N7408	7408	N7453F	7453	N8455F	7440	N74151B	74151	N74366A	74366	NA12EG	129P	NA86	125
N7408A	7408	N7453N	7453	N8455N	7440	N74151F	74151	N74366AF	74366	NA12EH	129P	NA92H2	1195
N7408F	7408	N7454	7454	N8455SF	7440	N74151SF	74151	N74366AN	74366	NA12EJ	129P	NA104	125
N7408N	7408	N7454A	7454	N8470	7410	N74151SF	74151	N74366AN	74366	NA12EJ	129P	NA104	125
N7409	7409	N7454F	7454	N8470F	7410	N74152	74152	N74367A	74367	NA12EJ	129P	NA104	125
N7409A	7409	N7454N	7454	N8470N	7410	N74152A	74152	N74367AF	74367	NA12EJ	129P	NA156H	11946
N7409F	7409	N7460	7460	N8471	7412	N74152AF	74152	N74367AN	74367	NA12EJ	129P	NA603	5850
N7409N	7409	N7460A	7460	N8471F	7412	N74152AN	74152	N74367SF	74367	NA12FG	25	NA615	5854
N7410	7410	N7460F	7460	N8471N	7412	N74152F	74152	N74367SF	74367	NA12FH	25	NA1005	5944
N7410A	7410	N7460N	7460	N8480	7400	N74152N	74152	N74368A	74368	NA12FH	25	NA1022-1001	160
N7410F	7410	N7470	7470	N8480F	7400	N74153	74153	N74368AF	74368	NA12FJ	25	NA1022-1002	160
N7410N	7410	N7470A	7470	N8480N	7400	N74153A	74153	N74368AN	74368	NA12FX	25	NA-1114-1001	180
N7411	7411	N7470F	7470	N8490	7403	N74153F	74153	N74368SF	74368	NA12FY	25	NA-1114-1002	180
N7411A	7411	N7470N	7470	N8490F	7403	N74153N	74153	N74368SF	74368	NA12HG(CBE)	129P	NA-1114-1002	180
N7411F	7411	N7472	7472	N8490N	7403	N74154	74154	N74369A	74369	NA12HG(CBE)	129P	NA-1114-1003	180
N7412	7412	N7472A	7472	N8806	7460	N74154A	74154	N74369AF	74369	NA12H(CBE)	129P	NA-1114-1004	180
N7412A	7412	N7472F	7472	N8806F	7460	N74154AN	74154	N74369AN	74369	NA12H(CBE)	129P	NA-1114-1005	180
N7412F	7412	N7472N	7472	N8806N	7460	N74154F	74154	N74369AN	74369	NA12H(CBE)	129P	NA-1114-1006	180
N7412N	7412	N7473	7473	N8806SF	7460	N74154F	74154	N74369AF	74369	NA12H(CBE)	129P	NA-1114-1007	180
N7413	7413	N7473A	7473	N8807	7430	N74155	74155	N74369AF	74369	NA13	116	NA-1114-1010	180
N7413A	7413	N7473F	7473	N8807F	7430	N74155A	74155	N74369AN	74369	NA13E	123AP	NA-1114-1011	180
N7413F	7413	N7473N	7473	N8807N	7430	N74155F	74155	N74369AN	74369	NA20	5844	NA-1114-1011	180
N7413N	7413	N7474	7474	N8808	7430	N74155N	74155	N74369AN	74369	N1122	130	NA1508	5844
N7414	7414	N7474A	7474	N8815F	7425	N74155N	74155	N74369AN	74369	N-121122	130	NA12EJ	128P
N7414A	7414	N7474F	7474	N8815N	7425	N74156	74156	N74369AN	74369	N700007OFABADA	7072	NA21EH	128P
N7414F	7414	N7474N	7474	N8815F	7425	N74156A	74156	N74369AN	74369	N7000130FAB000	7114	NA21EJ	128P
N7414N	7414	N7475	7475	N8815N	7425	N74156F	74156	N74369AN	74369	N5301521220	5030A	NA21EJ	128P
N7415	7415	N7475A	7475	N8815N	7425	N74156SF	74156	N74369AN	74369	N5301571130	5022A	NA21EJ	128P
N7415A	7415	N7475F	7475	N8815N	7425	N74156SF	74156	N74369AN	74369	N5301571330	5036A	NA21EJ	128P
N7415F	7415	N7475N	7475	N8815N	7425	N74157	74157	N74369AN	74369	N5301571439	5060A	NA21EJ	128P
N7416	7416	N7476	7476	N8815N	7425	N74157F	74157	N74369AN	74369	N5301571539	5012A	NA21EJ	128P
N7416A	7416	N7476A	7476	N8815N	7425	N74157N	74157	N74369AN	74369	N5301571639	5014A	NA21EJ	128P
N7416F	7416	N7476F	7476	N8815N	7425	N74157SF	74157	N74369AN	74369	N5301571739	5022A	NA21EJ	128P
N7416N	7416	N7476N	7476	N8815N	7425	N74157SF	74157	N74369AN	74369	N5301571839	5036A	NA21EJ	128P
N7417	7417	N7476N	7476	N8815N	7425	N74158	74158	N74369AN	74369	N5301571939	5012A	NA21EJ	128P
N7417A	7417	N7477	7477	N8815N	7425	N74158A	74158	N74369AN	74369	N5301572039	5014A	NA21EJ	128P
N7417A	7417	N7477A	7477	N8815N	7425	N74158F	74158	N74369AN	74369	N5301572139	5022A	NA21EJ	128P
N7417F	7417	N7477F	7477	N8815N	7425	N74158SF	74158	N74369AN	74369	N5301572239	5036A	NA21EJ	128P
N7417N	7417	N7477N	7477	N8815N	7425	N74159	74159	N74369AN	74369	N5301572339	5012A	NA21EJ	128P
N7420	7420	N7480	7480	N8815N	7425	N74159A	74159	N74369AN	74369	N5301572439	5014A	NA21EJ	128P
N7420A	7420	N7480F	7480	N8815N	7425	N74159F	74159	N74369AN	74369	N5301572539	5022A	NA21EJ	128P
N7420F	7420	N7480N	7480	N8815N	7425	N74159SF	74159	N74369AN	74369	N5301572639	5036A	NA21EJ	128P
N7420N	7420	N7483	7483	N8815N	7425	N74159SF	74159	N74369AN	74369	N5301572739	5012A	NA21EJ	128P
N7421	7421	N7483B	7483	N8815N	7425	N74160	74160	N74369AN	74369	N5301572839	5014A	NA21EJ	128P
N7421A	7421	N7483F	7483	N8815N	7425	N74160A	74160	N74369AN	74369	N5301572939	5022A	NA21EJ	128P
N7421F	7421	N7483N	7483	N8815N	7425	N74160F	74160	N74369AN	74369	N5301573039	5036A	NA21EJ	128P
N7421N	7421	N7485	7485	N8815N	7425	N74160SF	74160	N74369AN	74369	N5301573139	5012A	NA21EJ	128P
N7422	7422	N7485A	7485	N8815N	7425	N74160SF	74160	N74369AN	74369	N5301573239	5014A	NA21EJ	128P
N7422A	7422	N7485F	7485	N8815N	7425	N74161	74161	N74369AN	74369	N5301573339	5022A	NA21EJ	128P
N7422F	7422	N7485N	7485	N8815N	7425	N74161A	74161	N74369AN	74369	N5301573439	5036A	NA21EJ	128P
N7422N	7422	N7486	7486	N8815N	7425	N74161F	74161	N74369AN	74369	N5301573539	5012A	NA21EJ	128P
N7425F	7425	N7486A	7486	N8815N	7425	N74161SF	74161	N74369AN	74369	N5301573639	5014A	NA21EJ	128P
N7426	7426	N7486F	7486	N8815N	7425	N74161SF	74161	N74369AN	74369	N5301573739	5022A	NA21EJ	128P
N7426A	7426	N7486N	7486	N8815N	7425	N74162	74162	N74369AN	74369	N5301573839	5036A	NA21EJ	128P
N7426F	7426	N7489	7489	N8815N	7425	N74162A	74162	N74369AN	74369	N5301573939	5012A	NA21EJ	128P
N7426N	7426	N7490	7490	N8815N	7425	N74162F	74162	N74369AN	74369	N5301574039	5014A	NA21EJ	128P
N7427	7427	N7490A	7490	N8815N	7425	N74162SF	74162	N74369AN	74369	N5301574139	5022A	NA21EJ	128P
N7427A	7427	N7490F	7490	N8815N	7425	N74162SF	74162	N74369AN	74369	N5301574239	5036A	NA21EJ	128P
N7427F	7427	N7490N	7490	N8815N	7425	N74163	74163	N74369AN	74369	N5301574339	5012A	NA21EJ	128P
N7427N	7427	N7491	7491	N8815N	7425	N74163A	74163	N74					

Table with 12 columns: To Be Replaced, ECG Replacement, To Be Replaced, ECG Replacement, To Be Replaced, ECG Replacement, To Be Replaced, ECG Replacement, To Be Replaced, ECG Replacement, To Be Replaced, ECG Replacement. Rows list various semiconductor part numbers and their corresponding ECG replacements.

When basing of original part differs from ECG replacement, basing for original part is shown in parentheses () after the part number. For example, the 25A509A(EGC8) is replaced by ECG159 which has "EBC" basing.

To Be Replaced	ECG Replacement	To Be Replaced	ECG Replacement	To Be Replaced	ECG Replacement	To Be Replaced	ECG Replacement	To Be Replaced	ECG Replacement	To Be Replaced	ECG Replacement	To Be Replaced	ECG Replacement
NL-F397D	5396	NP320	129	NP834A	123A	NP1896	123	NP2219A	123A	NP2715	123A	NP3308	159
NL-F397E	5396	NP329	129	NP839	123A	NP1897	123	NP2220	123A	NP2716	123A	NP3317	159
NL-F397F	5396	NP329B	129	NP840	123A	NP1898	123	NP2221	123A	NP2719	123A	NP3326	159
NL-F397G	5396	NP330	129	NP841	100	NP1409	160	NP2221A	123A	NP2729	108	NP3340	123A
NL-F397H	5396	NP330A	129	NP842	123A	NP1410	160	NP2222	123A	NP2784	108	NP3341	108
NL-F397M	5396	NP332	129	NP843	108	NP1417	123A	NP2222AP	123AP	NP2800	159	NP3342	159
NL-F397N	5397	NP333	123	NP844	123A	NP1418	123A	NP2223	123A	NP2801	159	NP3343	129
NL-F397P	5397	NP333A	123	NP849	108	NP1420	123A	NP2225	123A	NP2802	108	NP3344	129
NL-F397Q	5397	NP334	123	NP850	108	NP1420A	123A	NP2240	123A	NP2803	108	NP3345	129
NL-F397R	5397	NP334A	123	NP851	108	NP1421	123A	NP2241	123A	NP2804	108	NP3346	159
NL-F397PA	5397	NP335	123	NP852	108	NP1440	159	NP2242	123A	NP2805	108	NP3388	154
NL-F397PB	5397	NP335A	123	NP860	159	NP1441	159	NP2244	123A	NP2806	108	NP3389	154
NL-F397PC	5397	NP335C	123	NP861	159	NP1442	159	NP2245	123A	NP2807	108	NP3390	123A
NL-F397PD	5397	NP336	123	NP866	123	NP1443	159	NP2246	123A	NP2831	123A	NP3391	123A
NL-F397PE	5397	NP336A	123	NP867	129	NP1469	100	NP2247	123A	NP2837	159	NP3391A	123A
NL-F397PF	5397	NP336A	123	NP870	128	NP1472	128	NP2248	123A	NP2846	123A	NP3392	123A
NL-F397T	5397	NP343A	129	NP871	128	NP1474	159	NP2249	123A	NP2846	128	NP3393	123A
NL-F397U	5397	NP470	123	NP809	128	NP1474A	159	NP2251	123A	NP2847	123A	NP3394	123A
NL-F397V	5396	NP471	123	NP810	128	NP1505	108	NP2252	123A	NP2849	128	NP3396	123A
NL-F397W	5396	NP471A	123	NP811	128	NP1506	108	NP2253	123A	NP2850	128	NP3397	123A
NL-F397X	5396	NP472	123A	NP812	128	NP1507	108	NP2254	123A	NP2851	128	NP3398	123A
NL-F397Y	5396	NP472A	123A	NP815	123A	NP1508	108	NP2255	123A	NP2852	128	NP3401	159
NL-F398	5396	NP473	123	NP816	108	NP1572	154	NP2257	123A	NP2853	128	NP3402	192S
NL-F398A	5396	NP474	123A	NP916A	108	NP1573	154	NP2257	123A	NP2854	128	NP3403	123A
NL-F398B	5396	NP474A	123A	NP917	161	NP1574	154	NP2258	160	NP2855	128	NP3404	192S
NL-F398C	5396	NP475	123A	NP917A	161	NP1586	107	NP2259	102	NP2856	128	NP3405	192S
NL-F398D	5396	NP475A	123A	NP919	123A	NP1609	107	NP2272	123A	NP2857	128	NP3406	123A
NL-F398E	5396	NP476	123	NP920	123A	NP1588	107	NP2274	159	NP2858	159	NP3414	123A
NL-F398F	5396	NP477	123	NP921	123A	NP1589	107	NP2275	159	NP2862	159	NP3415	123A
NL-F398G	5396	NP477A	123	NP922	123A	NP1590	107	NP2277	128	NP2865	161	NP3416	123A
NL-F398H	5397	NP479	123	NP923	159	NP1591	107	NP2297	128	NP2868	123A	NP3417	123A
NL-F398I	5397	NP479A	159	NP924	159	NP1592	107	NP2303	123A	NP2869	108	NP3462	123A
NL-F398J	5397	NP480	123	NP925	159	NP1593	107	NP2310	123A	NP2884	108	NP3463	123A
NL-F398K	5397	NP480A	123A	NP926	159	NP1594	107	NP2311	123A	NP2884	159	NP3467	159
NL-F398L	5397	NP485	108	NP927	159	NP1623	129	NP2314	123A	NP2894A	159	NP3468	129
NL-F398M	5397	NP541	123A	NP928	159	NP1640	108	NP2315	123A	NP2895	128	NP3479	316
NL-F398N	5397	NP542	123A	NP929	123A	NP1641	108	NP2316	123A	NP2896	128	NP3483	108
NL-F398P	5397	NP542A	123	NP929A	123A	NP1642	108	NP2319	123A	NP2904	128	NP3498	123
NL-F398Q	5397	NP543	123A	NP930	123A	NP1643	159	NP2320	123A	NP2904A	129	NP3502	129
NL-F398R	5397	NP543A	123A	NP930A	123A	NP1644	159	NP2330	123A	NP2905	129	NP3503	129
NL-F398T	5397	NP544	126A	NP935	159	NP1663	123A	NP2331	123A	NP2905A	129	NP3504	159
NL-F398U	5397	NP545	123A	NP936	159	NP1674	123A	NP2336	159	NP2906	159	NP3505	159
NL-F398V	5397	NP547	123	NP937	159	NP1682	123	NP2337	159	NP2906A	159	NP3506	128
NL-F398W	5397	NP548	123	NP938	159	NP1704	123A	NP2349	123A	NP2907	159	NP3507	108
NL-F398X	5397	NP549	123	NP939	159	NP1705	123A	NP2351	159	NP2907A	159	NP3509	108
NL-F398Y	5397	NP550	123	NP940	159	NP1708A	138A	NP2352	123A	NP2921	108	NP3510	123A
NL-F399	5397	NP551	123	NP941	159	NP1763	123	NP2354	103	NP2922	108	NP3511	108
NL-F399A	5397	NP552	159	NP942	159	NP1764	128	NP2368	123A	NP2923	123A	NP3526	154
NL-F399B	5397	NP619	108	NP943	159	NP1838	123A	NP2369	107	NP2924	123A	NP3527	159
NL-F399C	5397	NP620	108	NP944	159	NP1839	123A	NP2377	159	NP2925	123A	NP3544	108
NL-F399D	5397	NP621	108	NP945	159	NP1840	123A	NP2378	159	NP2926	123A	NP3545	159
NL-F399E	5397	NP622	108	NP947	123A	NP1888	128	NP2387	123A	NP2927	159	NP3547	159
NL-F399F	5397	NP623	108	NP957	123A	NP1890	128	NP2390	159	NP2931	123A	NP3549	159
NL-F399G	5397	NP624	108	NP958	108	NP1897	208	NP2393	123A	NP2932	123A	NP3550	159
NL-F399H	5397	NP625	108	NP959	108	NP1915	123	NP2390	123	NP2933	123A	NP3550	159
NL-F399I	5397	NP626	108	NP968	108	NP1920	159	NP2393	159	NP2934	123A	NP3553	229
NL-F399J	5397	NP699A	154	NP989	108	NP1921	159	NP2394	159	NP2935	123A	NP3564	229
NL-F399K	5397	NP699B	154	NP995	108	NP1944	123A	NP2395	108	NP2938	123A	NP3565	123A
NL-F399L	5397	NP702	108	NP996	108	NP1945	123A	NP2396	123	NP2945	159	NP3566	128
NL-F399M	5397	NP703	108	NP997	108	NP1946	123A	NP2397	123	NP2945A	159	NP3567	123A
NL-F399N	5397	NP706	108	NP998	172A	NP1947	123A	NP2405	283S	NP2946	159	NP3568	128
NL-F399P	5397	NP706A	108	NP999	172A	NP1948	123A	NP2411	159	NP2946A	159	NP3569	128
NL-F399Q	5397	NP707	108	NP1005	108	NP1949	123A	NP2412	159	NP2947	108	NP3570	128
NL-F399R	5397	NP706C	108	NP1006	123A	NP1950	123A	NP2425	159	NP2969	108	NP3576	108
NL-F400	5397	NP708	123A	NP1008	108	NP1951	123A	NP2426	108A	NP2970	108	NP3582	159
NL-F401	5397	NP708A	123A	NP1025	159	NP1952	123A	NP2429	102A	NP2971	108	NP3600	108
NL-F402	5397	NP709	108	NP1026	159	NP1953	123A	NP2430	103A	NP3009	123A	NP3605	123A
NL-F403	5397	NP709A	108	NP1027	159	NP1958	123A	NP2431	158	NP3010	108	NP3606	123A
NL-F404	5397	NP715	123	NP1028	159	NP1959	123A	NP2432	123A	NP3011	123A	NP3607	123A
NL-F405	5397	NP717	123	NP1034	129	NP1962	123A	NP2443	128	NP3013	123A	NP3638	159
NL-F406	5397	NP718	108	NP1035	129	NP1963	123A	NP2446	123A	NP3014	123A	NP3638A	159
NL-F407	5397	NP719	194	NP1036	123	NP1976	123A	NP2476	123A	NP3015	123	NP3641	123A
NL-F408	5397	NP719A	194	NP1037	129	NP1985	123A	NP2477	123A	NP3017	128	NP3642	128
NL-F409	5397	NP720	128	NP1051	123	NP1987	123A	NP2481	123A	NP3020	128	NP3643	123A
NL-F410	5397	NP720A	128	NP1053	154	NP1974	123A	NP2483	123A	NP3023	128	NP3644	129
NL-F411	5397	NP721	154	NP1053	154	NP1974	123A	NP2484	123A	NP3062	159	NP3645	159
NL-F412	5397	NP721A	154	NP1054	154	NP1975	123A	NP2501	123A	NP3072	159	NP3647	123
NL-F413	5397	NP722	159	NP1060	108	NP1983	123A	NP2509	154	NP3073	159	NP3648	108
NL-F414	5397	NP722A	159	NP1081	123A	NP1984	123A	NP2510	154	NP3077	128	NP3662	107
NL-F415	5397	NP726	108	NP1092	128	NP1985	123A	NP2511	154	NP3078	128	NP3663	107
NL-F416	5397	NP727	108	NP1095	103	NP1986	123A	NP2520	123A	NP3082	107	NP367	

Table with 16 columns: To Be Replaced, ECG Replacement, To Be Replaced, ECG Replacement, To Be Replaced, ECG Replacement, To Be Replaced, ECG Replacement, To Be Replaced, ECG Replacement, To Be Replaced, ECG Replacement, To Be Replaced, ECG Replacement, To Be Replaced, ECG Replacement. Rows list various semiconductor part numbers and their equivalents.

* , # , @ , + , \$, - See Special Notes on Page 2-2

To Be Replaced	ECG Replacement	To Be Replaced	ECG Replacement	To Be Replaced	ECG Replacement	To Be Replaced	ECG Replacement	To Be Replaced	ECG Replacement	To Be Replaced	ECG Replacement
NT77C15	5130A	NTE520	140A	NTE2V030	2V030	NTE74H40	74H40	NTE74LS05B	74LS05B	NTE74S958	74S958
NT77C16	5131A	NTE521	5074A	NTE2V035	2V035	NTE74H50	74H50	NTE74LS121	74LS121	NTE74S287	74S287
NT77C20	5135A	NTE522	142A	NTE2V040	2V040	NTE74H52	74H52	NTE74LS109A	74LS109A	NTE74S288	74S288
NT77C21	5136A	NTE523	143A	NTE2V050	2V050	NTE74H53	74H53	NTE74LS112A	74LS112A	NTE74S387	74S387
NT77C22	5137A	NTE524	145A	NTE2V060	2V060	NTE74H54	74H54	NTE74LS113	74LS113	NTE74S472	74S472
NT77C27	5139A	NTE525	5075A	NTE2V075	2V075	NTE74H55	74H55	NTE74LS114	74LS114	NTE74S474	74S474
NT77C30	5141A	NTE526	5096A	NTE2V085	2V085	NTE74H56	74H56	NTE74LS122	74LS122	NTE74S572	74S572
NT77C33	5142A	NTE527	5078A	NTE2V115	2V115	NTE74H57	74H57	NTE74LS123	74LS123	NTE74S573	74S573
NT77C36	5143A	NTE528	5080A	NTE2V130	2V130	NTE74H62	74H62	NTE74LS125A	74LS125A	NTE75	75
NT77C38	5144A	NTE529	5081A	NTE2V150	2V150	NTE74H71	74H71	NTE74LS132	74LS132	NTE76	76
NT77C43	5145A	NTE530	146A	NTE2V250	2V250	NTE74H72	74H72	NTE74LS133	74LS133	NTE76MP	76MP
NT77C47	5146A	NTE531	5084A	NTE2V275	2V275	NTE74H73	74H73	NTE74LS136	74LS136	NTE77	77
NT77C51	5147A	NTE532	147A	NTE2V300	2V300	NTE74H74	74H74	NTE74LS138	74LS138	NTE78	78
NT77C56	5148A	NTE533	5085A	NTE2V420	2V420	NTE74H76	74H76	NTE74LS139	74LS139	NTE79	79
NT77C62	5150A	NTE534	5086A	NTE2V480	2V480	NTE74H78	74H78	NTE74LS145	74LS145	NTE80C95	80C95
NT77C68	5151A	NTE535	5087A	NTE10	10	NTE74H87	74H87	NTE74LS147	74LS147	NTE80C96	80C96
NT77C75	5152A	NTE536	5088A	NTE11	11	NTE74H102	74H102	NTE74LS148	74LS148	NTE80C97	80C97
NT77C91	5155A	NTE537	5089A	NTE12	12	NTE74H106	74H106	NTE74LS151	74LS151	NTE82	82
NT77C100	5156A	NTE538	5090A	NTE13	13	NTE74H109	74H109	NTE74LS153	74LS153	NTE85	85
NT77C110	5157A	NTE539	149A	NTE14	14	NTE74H108	74H108	NTE74LS155	74LS155	NTE87	87
NT77C120	5158A	NTE540	5092A	NTE15	15	NTE74H183	74H183	NTE74LS156	74LS156	NTE87MP	87MP
NT77C130	5159A	NTE541	5093A	NTE16	16	NTE74HC00	74HC00	NTE74LS157	74LS157	NTE89	89
NT77C150	5161A	NTE542	150A	NTE17	17	NTE74HC02	74HC02	NTE74LS158	74LS158	NTE90	90
NT77C160	5162A	NTE543	5095A	NTE18	18	NTE74HC04	74HC04	NTE74LS160A	74LS160A	NTE91	91
NT77C180	5164A	NTE544	5096A	NTE19	19	NTE74HC06	74HC06	NTE74LS161A	74LS161A	NTE92	92
NT77C200	5166A	NTE545	151A	NTE20	20	NTE74HC10	74HC10	NTE74LS162A	74LS162A	NTE93	93
NT8	50010	NTE546	5087A	NTE21	21	NTE74HC11	74HC11	NTE74LS163A	74LS163A	NTE94	94
NT8	50010	NTE547	5098A	NTE22	22	NTE74HC14	74HC14	NTE74LS164	74LS164	NTE95	95
NT86	50010	NTE548	5100A	NTE23	23	NTE74HC32	74HC32	NTE74LS165	74LS165	NTE96	96
NT88	50010	NTE549	5101A	NTE24	24	NTE74HC86	74HC86	NTE74LS166	74LS166	NTE96S02	96S02
NT101	5401	NTE550	5103A	NTE25	25	NTE74HC109	74HC109	NTE74LS168A	74LS168A	NTE97	97
NT102	8402S	NTE551	5105A	NTE26	26	NTE74HC123	74HC123	NTE74LS169A	74LS169A	NTE98	98
NT110	5600A	NTE7706	5063A	NTE27	27	NTE74HC125	74HC125	NTE74LS170	74LS170	NTE99	99
NT115	5600A	NTE7708	5111A	NTE28	28	NTE74HC126	74HC126	NTE74LS174	74LS174	NTE100	100
NT210	5600A	NTE7709	5112A	NTE29	29	NTE74HC132	74HC132	NTE74LS175	74LS175	NTE101	101
NT215	5600A	NTE7710	5113A	NTE30	30	NTE74HC136	74HC136	NTE74LS181	74LS181	NTE102	102
NT315	5600A	NTE7711	5114A	NTE31	31	NTE74HC139	74HC139	NTE74LS190	74LS190	NTE102A	102A
NT315	5600A	NTE7712	5115A	NTE32	32	NIE74HC151	74HC151	NTE74LS191	74LS191	NTE103	103
NT350	39	NTE7713	5116A	NTE33	33	NTE74HC153	74HC153	NTE74LS192	74LS192	NTE103A	103A
NT410	5600A	NTE7714	5117A	NTE36MP	36MP	NTE74HC154	74HC154	NTE74LS193	74LS193	NTE104	104
NT415	5600A	NTE7715	5118A	NTE37	37	NTE74HC161	74HC161	NTE74LS194A	74LS194A	NTE104MP	104MP
NT481EY	287	NTE7716	5120A	NTE37MCP	37MCP	NTE74HC163	74HC163	NTE74LS195A	74LS195A	NTE105	105
NT510	5600A	NTE7717	5121A	NTE39	39	NTE74HC164	74HC164	NTE74LS196	74LS196	NTE106	106
NT515	5600A	NTE7719	5124A	NTE41	41	NTE74HC165	74HC165	NTE74LS197	74LS197	NTE107	107
NT610	5600A	NTE7720	5125A	NTE42	42	NTE74HC168	74HC168	NTE74LS198	74LS198	NTE108	108
NT615	5600A	NTE7721	5126A	NTE44	44	NTE74HC171	74HC171	NTE74LS240	74LS240	NTE109	109
NT710	56010	NTE7722	5127A	NTE45	45	NTE74HC175	74HC175	NTE74LS241	74LS241	NTE110A	110A
NT715	56010	NTE7723	5128A	NTE46	46	NTE74HC240	74HC240	NTE74LS242	74LS242	NTE110MP	110MP
NT810	56010	NTE7724	5130A	NTE47	47	NTE74HC244	74HC244	NTE74LS243	74LS243	NTE112	112
NT815	56010	NTE7725	5131A	NTE48	48	NTE74HC257	74HC257	NTE74LS244	74LS244	NTE113A	113A
NT1101C	5063A	NTE7726	5133A	NTE49	49	NTE74HC259	74HC259	NTE74LS245	74LS245	NTE114	114
NT1102C	5066A	NTE7727	5135A	NTE50	50	NTE74HC273	74HC273	NTE74LS247	74LS247	NTE115	115
NT1103C	5067A	NTE7728	5136A	NTE51	51	NTE74HC299	74HC299	NTE74LS248	74LS248	NTE116	116
NT1104C	5068A	NTE7729	5137A	NTE52	52	NTE74HC373	74HC373	NTE74LS249	74LS249	NTE117A	117A
NT1105C	5069A	NTE7730	5138A	NTE53	53	NTE74HC374	74HC374	NTE74LS251	74LS251	NTE118	118
NT1106C	5071A	NTE7731	5141A	NTE54	54	NTE74HC377	74HC377	NTE74LS253	74LS253	NTE119	119
NT1107C	138A	NTE7732	5142A	NTE54MP	54MP	NTE74HC390	74HC390	NTE74LS257	74LS257	NTE120	120
NT1108C	5072A	NTE7733	5143A	NTE55	55	NTE74HC393	74HC393	NTE74LS258	74LS258	NTE121	121
NT1110C	140A	NTE7734	5144A	NTE55MCP	55MCP	NTE74HC673	74HC673	NTE74LS259	74LS259	NTE121MP	121MP
NT1111C	5074A	NTE7735	5145A	NTE56	56	NTE74HC674	74HC674	NTE74LS260	74LS260	NTE123	123
NT1112C	142A	NTE7736	5146A	NTE58	58	NTE74HC4020	74HC4020	NTE74LS266	74LS266	NTE123A	123A
NT1113C	143A	NTE7737	5147A	NTE59	59	NTE74HC4040	74HC4040	NTE74LS267	74LS267	NTE123A*P	123A*P
NT1115C	145A	NTE7738	5148A	NTE60	60	NTE74HC4060	74HC4060	NTE74LS273	74LS273	NTE124	124
NT1116C	5075A	NTE7739	5150A	NTE60MP	60MP	NTE74HC4080	74HC4080	NTE74LS278	74LS278	NTE125	125
NT1118C	5077A	NTE7740	5151A	NTE61	61	NTE74HC4087	74HC4087	NTE74LS283	74LS283	NTE126A	126A
NT1119C	5078A	NTE7741	5152A	NTE61MCP	61MCP	NTE74HC4106	74HC4106	NTE74LS290	74LS290	NTE127	127
NT1122C	5080A	NTE7742	5155A	NTE61MP	61MP	NTE74HC100	74HC100	NTE74LS293	74LS293	NTE128	128
NT1124C	5081A	NTE7744	5156A	NTE62	62	NTE74HC104	74HC104	NTE74LS295A	74LS295A	NTE128P	128P
NT1127C	146A	NTE7745	5157A	NTE63	63	NTE74HC108	74HC108	NTE74LS298	74LS298	NTE129	129
NT1130C	5084A	NTE7746	5158A	NTE64	64	NTE74HC114	74HC114	NTE74LS299	74LS299	NTE129MCP	129MCP
NT1131C	147A	NTE7747	5159A	NTE65	65	NTE74HC138	74HC138	NTE74LS305	74LS305	NTE130	130
NT1131C	5084A	NTE7748	5161A	NTE66	66	NTE74HC161	74HC161	NTE74LS303	74LS303	NTE130MP	130MP
NT1302C	5111A	NTE7749	5162A	NTE67	67	NTE74HC174	74HC174	NTE74LS365A	74LS365A	NTE131	131
NT1303C	5115A	NTE7750	5164A	NTE68	68	NTE74HC181	74HC181	NTE74LS368A	74LS368A	NTE131MP	131MP
NT1305C	5117A	NTE7751	5165A	NTE68MCP	68MCP	NTE74HC240	74HC240	NTE74LS366A	74LS366A	NTE134A	134A
NT1306C	5120A	NTE7752	5168A	NTE69	69	NTE74HC244	74HC244	NTE74LS367	74LS367	NTE135A	135A
NT1307C	5121A	NTE7753	5169A	NTE70	70	NTE74HC247	74HC247	NTE74LS368	74LS368	NTE136A	136A
NT1308C	5122A	NTE7754	5170A	NTE71	71	NTE74HC273	74HC273	NTE74LS373	74LS373	NTE137A	137A
NT1309C	5124A	NTE7755	5171A	NTE71C00	71C00	NTE74HC138	74HC138	NTE74LS374	74LS374	NTE138A	138A
NT1310C	5125A	NTE7756	5172A	NTE74C02	74C02	NTE74HC157	74HC157	NTE74LS377	74LS377	NTE138A	138A
NT1311C	5126A	NTE7757	5173A	NTE74C04	74C04	NTE74HC174	74HC174	NTE74LS378	74LS378	NTE139A	139A
NT1312C	123AP	NTE7758	5174A	NTE74C08	74C08	NTE74HC193	74HC193	NTE74LS379	74LS379	NTE140A	140A
NT1313C	123AP	NTE7759	5175A	NTE74C10	74C10	NTE74HC200	74HC200	NTE74LS382	74LS382	NTE141A	141A
NT1313C	123AP	NTE7760	5176A	NTE74C14	74C14	NTE74HC204	74HC204	NTE74LS386	74LS386	NTE142A	142A
NT1313C	123AP	NTE7761	5177A	NTE74C18	74C18	NTE74HC208	74HC208	NTE74LS387	74LS387	NTE143A	143A
NT1313C	123AP	NTE7762	5178A	NTE74C20	74C20	NTE74HC114	74HC114	NTE74LS389	74LS389	NTE144A	144A
NT1313C	123AP	NTE7763	5179A	NTE74C30	74C30	NTE74HC138	74HC138	NTE74LS393	74LS393	NTE145A	145A
NT1313C	123AP	NTE7764	5180A	NTE74C32	74C32	NTE74HC157	74HC157	NTE74LS395A	74LS395A	NTE146A	146A
NT1313C	123AP	NTE7765	5181A	NTE74C42	74C42	NTE74HC161	74HC161	NTE74LS398	74LS398	NTE147A	147A
NT1313C	123AP	NTE7766	5182A	NTE74C48	74C48	NTE74HC168	74HC168	NTE74LS490	74LS490	NTE148A	148A
NT1313C	123AP	NTE7767	5183A	NTE74C58	74C58	NTE74HC169	74HC169	NTE74LS494	74LS494	NTE149A	149A
NT1313C	123AP	NTE7768	5184A	NTE74C74	74C74	NTE74HC174	74HC174	NTE74LS540	74LS540	NTE151A	151A
NT1313C	123AP	NTE7769	5185A	NTE74C76	74C76	NTE74HC181	74HC181	NIE74LS624	74LS624	NIE152	152
NT1313C	123AP	NTE7770	5186A	NTE74C86	74C86	NTE74HC183	74HC183	NIE74LS627	74LS627	NIE152MP	152MP
NT1313C	123AP	NTE7771	5187A	NTE74C90	74C90	NTE74HC187	74HC187	NIE74LS629	74LS629	NIE153	153
NT1313C	123AP	NTE7772	5188A	NTE74C92	74C92	NTE74HC194	74HC194	NIE74LS640	74LS640	NIE153MCP	153MCP
NT1313C	123AP										

To Be Replaced	ECG Replacement	To Be Replaced	ECG Replacement	To Be Replaced	ECG Replacement	To Be Replaced	ECG Replacement	To Be Replaced	ECG Replacement	To Be Replaced	ECG Replacement	To Be Replaced	ECG Replacement
NTE331	331	NTE485	485	NTE725	725	NTE941M	941M	NTE1232	1232	NTE1542	1542	NTE1740	1740
NTE331MP	331MP	NTE486	486	NTE726	726	NTE941S	941S	NTE1233	1233	NTE1543	1543	NTE1741	1741
NTE332	332	NTE487	487	NTE727	727	NTE941SM	941SM	NTE1236	1236	NTE1544	1544	NTE1742	1742
NTE332MCP	332MCP	NTE488	488	NTE730	730	NTE942	942	NTE1237	1237	NTE1545	1545	NTE1743	1743
NTE333	333	NTE489	489	NTE731	731	NTE943	943	NTE1240	1240	NTE1547	1547	NTE1744	1744
NTE334	334	NTE490	490	NTE736	736	NTE943M	943M	NTE1242	1242	NTE1548	1548	NTE1745	1745
NTE335	335	NTE491	491	NTE737	737	NTE943SM	943SM	NTE1245	1245	NTE1550	1550	NTE1747	1747
NTE336	336	NTE492	492	NTE738	738	NTE944	944	NTE1246	1246	NTE1554	1554	NTE1748	1748
NTE337	337	NTE493	493	NTE739	739	NTE944M	944M	NTE1248	1248	NTE1556	1556	NTE1749	1749
NTE338	338	NTE494	494	NTE740A	740A	NTE947	947	NTE1249	1249	NTE1557	1557	NTE1750	1750
NTE338F	338F	NTE495	495	NTE742	742	NTE947D	947D	NTE1254	1254	NTE1558	1558	NTE1751	1751
NTE339	339	NTE496	496	NTE743	743	NTE948	948	NTE1257	1257	NTE1560	1560	NTE1752	1752
NTE340	340	NTE499	499	NTE744	744	NTE948SM	948SM	NTE1263	1263	NTE1561	1561	NTE1753	1753
NTE341	341	NTE490	490	NTE746	746	NTE949	949	NTE1264	1264	NTE1563	1563	NTE1754	1754
NTE342	342	NTE491	491	NTE749	749	NTE950	950	NTE1269	1269	NTE1565	1565	NTE1757	1757
NTE343	343	NTE492	492	NTE778A	778A	NTE951	951	NTE1271	1271	NTE1566	1566	NTE1758	1758
NTE344	344	NTE500A	500A	NTE778S	778S	NTE952	952	NTE1278	1278	NTE1567	1567	NTE1759	1759
NTE345	345	NTE501	501	NTE778SM	778SM	NTE952M	952M	NTE1281	1281	NTE1568	1568	NTE1761	1761
NTE346	346	NTE505	505	NTE780	780	NTE955MC	955MC	NTE1282	1282	NTE1570	1570	NTE1762	1762
NTE348	348	NTE506	506	NTE787	787	NTE955S	955S	NTE1286	1286	NTE1571	1571	NTE1763	1763
NTE349	349	NTE511	511	NTE786	786	NTE955SM	955SM	NTE1287	1287	NTE1570	1570	NTE1764	1764
NTE350	350	NTE517	517	NTE789	789	NTE956	956	NTE1288	1288	NTE1589	1589	NTE1765	1765
NTE350F	350F	NTE518	518	NTE790	790	NTE957	957	NTE1289	1289	NTE1600	1600	NTE1766	1766
NTE351	351	NTE519	519	NTE791	791	NTE958	958	NTE1294	1294	NTE1602	1602	NTE1767	1767
NTE352	352	NTE521	521	NTE793	793	NTE959	959	NTE1295	1295	NTE1604	1604	NTE1771	1771
NTE353	353	NTE522	522	NTE797	797	NTE960	960	NTE1296	1296	NTE1606	1606	NTE1773	1773
NTE355	355	NTE523	523	NTE798	798	NTE961	961	NTE1297	1297	NTE1608	1608	NTE1774	1774
NTE357	357	NTE524V13	524V13	NTE804	804	NTE962	962	NTE1300	1300	NTE1609	1609	NTE1775	1775
NTE358	358	NTE524V15	524V15	NTE805	805	NTE963	963	NTE1301	1301	NTE1609	1609	NTE1776	1776
NTE358C	358C	NTE524V17	524V17	NTE806	806	NTE964	964	NTE1304	1304	NTE1610	1610	NTE1777	1777
NTE359	359	NTE524V25	524V25	NTE809	809	NTE965	965	NTE1305	1305	NTE1611	1611	NTE1778	1778
NTE360	360	NTE524V27	524V27	NTE810A	810A	NTE966	966	NTE1315	1315	NTE1612	1612	NTE1779	1779
NTE361	361	NTE524V30	524V30	NTE812	812	NTE967	967	NTE1316	1316	NTE1613	1613	NTE1780	1780
NTE362	362	NTE524V42	524V42	NTE815	815	NTE968	968	NTE1317	1317	NTE1615	1615	NTE1781	1781
NTE363	363	NTE524V48	524V48	NTE818	818	NTE969	969	NTE1318	1318	NTE1616	1616	NTE1782	1782
NTE365	365	NTE525	525	NTE821	821	NTE970	970	NTE1320	1320	NTE1618	1618	NTE1783	1783
NTE366	366	NTE526A	526A	NTE822	822	NTE971	971	NTE1322	1322	NTE1620	1620	NTE1784	1784
NTE367	367	NTE528	528	NTE823	823	NTE972	972	NTE1326	1326	NTE1621	1621	NTE1785	1785
NTE368	368	NTE530	530	NTE824	824	NTE973D	973D	NTE1327	1327	NTE1624	1624	NTE1786	1786
NTE369	369	NTE531	531	NTE825	825	NTE975	975	NTE1328	1328	NTE1625	1625	NTE1787	1787
NTE373	373	NTE532	532	NTE826	826	NTE975SM	975SM	NTE1330	1330	NTE1626	1626	NTE1788	1788
NTE374	374	NTE533	533	NTE829	829	NTE976	976	NTE1331	1331	NTE1628	1628	NTE1789	1789
NTE375	375	NTE534	534	NTE832	832	NTE977	977	NTE1333	1333	NTE1629	1629	NTE1790	1790
NTE376	376	NTE535	535	NTE832SM	832SM	NTE978	978	NTE1335	1335	NTE1630	1630	NTE1791	1791
NTE377	377	NTE536A	536A	NTE834	834	NTE978C	978C	NTE1337	1337	NTE1631	1631	NTE1792	1792
NTE378	378	NTE537	537	NTE834SM	834SM	NTE978SM	978SM	NTE1339	1339	NTE1632	1632	NTE1793	1793
NTE379	379	NTE538	538	NTE836	836	NTE980	980	NTE1345	1345	NTE1633	1633	NTE1794	1794
NTE382	382	NTE539	539	NTE841	841	NTE981	981	NTE1356	1356	NTE1634	1634	NTE1795	1795
NTE383	383	NTE542	542	NTE842	842	NTE982	982	NTE1358	1358	NTE1635	1635	NTE1796	1796
NTE384	384	NTE548	548	NTE843	843	NTE983	983	NTE1365	1365	NTE1636	1636	NTE1797	1797
NTE385	385	NTE549	549	NTE844	844	NTE984	984	NTE1367	1367	NTE1637	1637	NTE1798	1798
NTE386	386	NTE552	552	NTE845	845	NTE986	986	NTE1368	1368	NTE1639	1639	NTE1799	1799
NTE387	387	NTE553	553	NTE846	846	NTE987	987	NTE1371	1371	NTE1641	1641	NTE1800	1800
NTE387MP	387MP	NTE555A	555A	NTE849	849	NTE987SM	987SM	NTE1373	1373	NTE1644	1644	NTE1801	1801
NTE388	388	NTE556	556	NTE853	853	NTE988	988	NTE1376	1376	NTE1645	1645	NTE1802	1802
NTE389	389	NTE557	557	NTE855	855	NTE989	989	NTE1377	1377	NTE1648	1648	NTE1803	1803
NTE390	390	NTE558	558	NTE856	856	NTE990	990	NTE1378	1378	NTE1650	1650	NTE1804	1804
NTE391	391	NTE559	559	NTE857M	857M	NTE991	991	NTE1380	1380	NTE1651	1651	NTE1805	1805
NTE392	392	NTE565	565	NTE857SM	857SM	NTE992	992	NTE1383	1383	NTE1654	1654	NTE1806	1806
NTE393	393	NTE568	568	NTE858SM	858SM	NTE993	993	NTE1387	1387	NTE1655	1655	NTE1807	1807
NTE394	394	NTE569	569	NTE858SM	858SM	NTE994M	994M	NTE1389	1389	NTE1656	1656	NTE1808	1808
NTE395	395	NTE570	570	NTE859	859	NTE995	995	NTE1391	1391	NTE1657	1657	NTE1809	1809
NTE396	396	NTE571	571	NTE859SM	859SM	NTE995SM	995SM	NTE1391	1391	NTE1658	1658	NTE1810	1810
NTE397	397	NTE572	572	NTE860	860	NTE996	996	NTE1392	1392	NTE1659	1659	NTE1811	1811
NTE398	398	NTE573	573	NTE861	861	NTE997	997	NTE1393	1393	NTE1660	1660	NTE1812	1812
NTE399	399	NTE574	574	NTE862	862	NTE998	998	NTE1394	1394	NTE1661	1661	NTE1813	1813
NTE400	400	NTE575	575	NTE864	864	NTE999	999	NTE1395	1395	NTE1662	1662	NTE1814	1814
NTE401	401	NTE576	576	NTE867	867	NTE999M	999M	NTE1396	1396	NTE1664	1664	NTE1815	1815
NTE402	402	NTE577	577	NTE869	869	NTE999SM	999SM	NTE1396	1396	NTE1667	1667	NTE1816	1816
NTE403	403	NTE578	578	NTE870	870	NTE1002	1002	NTE1399	1399	NTE1668	1668	NTE1817	1817
NTE404	404	NTE579	579	NTE873	873	NTE1003	1003	NTE1399	1399	NTE1670	1670	NTE1818	1818
NTE405	405	NTE580	580	NTE873	873	NTE1009	1009	NTE1404	1404	NTE1671	1671	NTE1819	1819
NTE406	406	NTE581	581	NTE874	874	NTE1014	1014	NTE1409	1409	NTE1672	1672	NTE1820	1820
NTE409	409	NTE583	583	NTE875	875	NTE1015	1015	NTE1410	1410	NTE1673	1673	NTE1821	1821
NTE412	412	NTE584	584	NTE876	876	NTE1019	1019	NTE1413	1413	NTE1674	1674	NTE1823	1823
NTE413	413	NTE585	585	NTE879	879	NTE1021	1021	NTE1414	1414	NTE1675	1675	NTE1824	1824
NTE414	414	NTE586	586	NTE880	880	NTE1023	1023	NTE1415	1415	NTE1677	1677	NTE1825	1825
NTE415	415	NTE587	587	NTE887M	887M	NTE1028	1028	NTE1416	1416	NTE1678	1678	NTE1826	1826
NTE417	417	NTE590	590	NTE888M	888M	NTE1029	1029	NTE1421	1421	NTE1679	1679	NTE1827	1827
NTE418	418	NTE590	590	NTE889M	889M	NTE1043	1043	NTE1421	1421	NTE1680	1680	NTE1828	1828
NTE419	419	NTE591	591	NTE890	890	NTE1049	1049	NTE1423	1423	NTE1681	1681	NTE1829	1829
NTE421	421	NTE592	592	NTE911M	911M	NTE1055	1055	NTE1424	1424	NTE1682	1682	NTE1830	1830
NTE422	422	NTE593	593	NTE913M	913M	NTE1062	1062	NTE1425	1425	NTE1683	1683	NTE1831	1831
NTE423	423	NTE594	594	NTE914	914	NTE1067	1067	NTE1433	1433	NTE1684	1684	NTE1832	1832
NTE426	426	NTE595	595	NTE914	914	NTE1092	1092	NTE1434	1434	NTE1685	1685	NTE1833	1833
NTE428	428	NTE596	596	NTE916	916	NTE1100	1100	NTE1435	1435	NTE1687	1687	NTE1834	1834
NTE429	429	NTE597	597	NTE917	917	NTE1101	1101	NTE1437	1437	NTE1688	1688	NTE1835	1835
NTE430	430	NTE598	598	NTE917	917	NTE1104	1104	NTE1439	1439	NTE1689	1689	NTE1836	1836
NTE432	432	NTE599	599	NTE909D	909D	NTE1106	1106	NTE1441	1441	NTE1690	1690	NTE1837	1837
NTE433	433	NTE600	600	NTE910	910	NTE1110	1110	NTE1448	1448	NTE1693	1693	NTE1839	1839
NTE435	435	NTE601	601	NTE910D	910D	NTE1115	1115	NTE1453	1453	NTE1700	1700	NTE1840	1840
NTE435K2	435K2	NTE605A	605A	NTE912	912	NTE1118	1118	NTE1465	1465	NTE1701	1701	NTE1841	1841
NTE435K4	435K4	NTE606	606	NTE91									

To Be Replaced	ECG Replacement	To Be Replaced	ECG Replacement	To Be Replaced	ECG Replacement	To Be Replaced	ECG Replacement	To Be Replaced	ECG Replacement	To Be Replaced	ECG Replacement	To Be Replaced	ECG Replacement
NTE1882	1882	NTE2311	2311	NTE2525	2525	NTE3059	3059	NTE4043BT	4043BT	NTE4936	4936	NTE5050A	5050A
NTE1883	1883	NTE2312	2312	NTE2526	2526	NTE3060	3060	NTE4044B	4044B	NTE4937	4937	NTE5051A	5051A
NTE1884	1884	NTE2313	2313	NTE2527	2527	NTE3061	3061	NTE4044BT	4044BT	NTE4938	4938	NTE5052A	5052A
NTE1885	1885	NTE2314	2314	NTE2528	2528	NTE3062	3062	NTE4045B	4045B	NTE4939	4939	NTE5053A	5053A
NTE1886	1886	NTE2315	2315	NTE2529	2529	NTE3063	3063	NTE4046B	4046B	NTE4940	4940	NTE5054A	5054A
NTE1887	1887	NTE2316	2316	NTE2530	2530	NTE3064	3064	NTE4047B	4047B	NTE4941	4941	NTE5055A	5055A
NTE1888	1888	NTE2317	2317	NTE2531	2531	NTE3065	3065	NTE4047BT	4047BT	NTE4942	4942	NTE5056A	5056A
NTE1889	1889	NTE2318	2318	NTE2532	2532	NTE3066	3066	NTE4048B	4048B	NTE4943	4943	NTE5057A	5057A
NTE1890	1890	NTE2319	2319	NTE2533	2533	NTE3067	3067	NTE4049B	4049B	NTE4944	4944	NTE5058A	5058A
NTE1891	1891	NTE2320	2320	NTE2534	2534	NTE3068	3068	NTE4049T	4049T	NTE4945	4945	NTE5059A	5059A
NTE1892	1892	NTE2321	2321	NTE2535	2535	NTE3069	3069	NTE4050B	4050B	NTE4946	4946	NTE5060A	5060A
NTE1893	1893	NTE2322	2322	NTE2536	2536	NTE3070	3070	NTE4050BT	4050BT	NTE4947	4947	NTE5061A	5061A
NTE1894	1894	NTE2323	2323	NTE2537	2537	NTE3071	3071	NTE4051B	4051B	NTE4948	4948	NTE5062A	5062A
NTE1895	1895	NTE2324	2324	NTE2538	2538	NTE3072	3072	NTE4052B	4052B	NTE4949	4949	NTE5063A	5063A
NTE1896	1896	NTE2325	2325	NTE2539	2539	NTE3073	3073	NTE4053B	4053B	NTE4950	4950	NTE5064A	5064A
NTE1897	1897	NTE2326	2326	NTE2540	2540	NTE3074	3074	NTE4054B	4054B	NTE4951	4951	NTE5065A	5065A
NTE1898	1898	NTE2327	2327	NTE2541	2541	NTE3075	3075	NTE4055B	4055B	NTE4952	4952	NTE5066A	5066A
NTE1899	1899	NTE2328	2328	NTE2542	2542	NTE3076	3076	NTE4056B	4056B	NTE4953	4953	NTE5067A	5067A
NTE1900	1900	NTE2329	2329	NTE2543	2543	NTE3077	3077	NTE4057B	4057B	NTE4954	4954	NTE5068A	5068A
NTE1901	1901	NTE2330	2330	NTE2544	2544	NTE3078	3078	NTE4058B	4058B	NTE4955	4955	NTE5069A	5069A
NTE1902	1902	NTE2331	2331	NTE2545	2545	NTE3079	3079	NTE4059B	4059B	NTE4956	4956	NTE5070A	5070A
NTE1903	1903	NTE2332	2332	NTE2546	2546	NTE3080	3080	NTE4060B	4060B	NTE4957	4957	NTE5071A	5071A
NTE1904	1904	NTE2333	2333	NTE2547	2547	NTE3081	3081	NTE4061B	4061B	NTE4958	4958	NTE5072A	5072A
NTE1905	1905	NTE2334	2334	NTE2548	2548	NTE3082	3082	NTE4062B	4062B	NTE4959	4959	NTE5073A	5073A
NTE1906	1906	NTE2335	2335	NTE2549	2549	NTE3083	3083	NTE4063B	4063B	NTE4960	4960	NTE5074A	5074A
NTE1907	1907	NTE2336	2336	NTE2550	2550	NTE3084	3084	NTE4064B	4064B	NTE4961	4961	NTE5075A	5075A
NTE1908	1908	NTE2337	2337	NTE2551	2551	NTE3085	3085	NTE4065B	4065B	NTE4962	4962	NTE5076A	5076A
NTE1909	1909	NTE2338	2338	NTE2552	2552	NTE3086	3086	NTE4066B	4066B	NTE4963	4963	NTE5077A	5077A
NTE1910	1910	NTE2339	2339	NTE2553	2553	NTE3087	3087	NTE4067B	4067B	NTE4964	4964	NTE5078A	5078A
NTE1911	1911	NTE2340	2340	NTE2554	2554	NTE3088	3088	NTE4068B	4068B	NTE4965	4965	NTE5079A	5079A
NTE1912	1912	NTE2341	2341	NTE2555	2555	NTE3089	3089	NTE4069B	4069B	NTE4966	4966	NTE5080A	5080A
NTE1913	1913	NTE2342	2342	NTE2556	2556	NTE3090	3090	NTE4070B	4070B	NTE4967	4967	NTE5081A	5081A
NTE1914	1914	NTE2343	2343	NTE2557	2557	NTE3091	3091	NTE4071B	4071B	NTE4968	4968	NTE5082A	5082A
NTE1915	1915	NTE2344	2344	NTE2558	2558	NTE3092	3092	NTE4072B	4072B	NTE4969	4969	NTE5083A	5083A
NTE1916	1916	NTE2345	2345	NTE2559	2559	NTE3093	3093	NTE4073B	4073B	NTE4970	4970	NTE5084A	5084A
NTE1917	1917	NTE2346	2346	NTE2560	2560	NTE3094	3094	NTE4074B	4074B	NTE4971	4971	NTE5085A	5085A
NTE1918	1918	NTE2347	2347	NTE2561	2561	NTE3095	3095	NTE4075B	4075B	NTE4972	4972	NTE5086A	5086A
NTE1919	1919	NTE2348	2348	NTE2562	2562	NTE3096	3096	NTE4076B	4076B	NTE4973	4973	NTE5087A	5087A
NTE1920	1920	NTE2349	2349	NTE2563	2563	NTE3097	3097	NTE4077B	4077B	NTE4974	4974	NTE5088A	5088A
NTE1921	1921	NTE2350	2350	NTE2564	2564	NTE3098	3098	NTE4078B	4078B	NTE4975	4975	NTE5089A	5089A
NTE1922	1922	NTE2351	2351	NTE2565	2565	NTE3099	3099	NTE4079B	4079B	NTE4976	4976	NTE5090A	5090A
NTE1923	1923	NTE2352	2352	NTE2566	2566	NTE3100	3100	NTE4080B	4080B	NTE4977	4977	NTE5091A	5091A
NTE1924	1924	NTE2353	2353	NTE2567	2567	NTE3101	3101	NTE4081B	4081B	NTE4978	4978	NTE5092A	5092A
NTE1925	1925	NTE2354	2354	NTE2568	2568	NTE3102	3102	NTE4082B	4082B	NTE4979	4979	NTE5093A	5093A
NTE1926	1926	NTE2355	2355	NTE2569	2569	NTE3103	3103	NTE4083B	4083B	NTE4980	4980	NTE5094A	5094A
NTE1927	1927	NTE2356	2356	NTE2570	2570	NTE3104	3104	NTE4084B	4084B	NTE4981	4981	NTE5095A	5095A
NTE1928	1928	NTE2357	2357	NTE2571	2571	NTE3105	3105	NTE4085B	4085B	NTE4982	4982	NTE5096A	5096A
NTE1929	1929	NTE2358	2358	NTE2572	2572	NTE3106	3106	NTE4086B	4086B	NTE4983	4983	NTE5097A	5097A
NTE1930	1930	NTE2359	2359	NTE2573	2573	NTE3107	3107	NTE4087B	4087B	NTE4984	4984	NTE5098A	5098A
NTE1931	1931	NTE2360	2360	NTE2574	2574	NTE3108	3108	NTE4088B	4088B	NTE4985	4985	NTE5099A	5099A
NTE1932	1932	NTE2361	2361	NTE2575	2575	NTE3109	3109	NTE4089B	4089B	NTE4986	4986	NTE5100A	5100A
NTE1933	1933	NTE2362	2362	NTE2576	2576	NTE3110	3110	NTE4090B	4090B	NTE4987	4987	NTE5101A	5101A
NTE1934	1934	NTE2363	2363	NTE2577	2577	NTE3111	3111	NTE4091B	4091B	NTE4988	4988	NTE5102A	5102A
NTE1935	1935	NTE2364	2364	NTE2578	2578	NTE3112	3112	NTE4092B	4092B	NTE4989	4989	NTE5103A	5103A
NTE1936	1936	NTE2365	2365	NTE2579	2579	NTE3113	3113	NTE4093B	4093B	NTE4990	4990	NTE5104A	5104A
NTE1937	1937	NTE2366	2366	NTE2580	2580	NTE3114	3114	NTE4094B	4094B	NTE4991	4991	NTE5105A	5105A
NTE1938	1938	NTE2367	2367	NTE2581	2581	NTE3115	3115	NTE4095B	4095B	NTE4992	4992	NTE5106A	5106A
NTE1939	1939	NTE2368	2368	NTE2582	2582	NTE3116	3116	NTE4096B	4096B	NTE4993	4993	NTE5107A	5107A
NTE1940	1940	NTE2369	2369	NTE2583	2583	NTE3117	3117	NTE4097B	4097B	NTE4994	4994	NTE5108A	5108A
NTE1941	1941	NTE2370	2370	NTE2584	2584	NTE3118	3118	NTE4098B	4098B	NTE4995	4995	NTE5109A	5109A
NTE1942	1942	NTE2371	2371	NTE2585	2585	NTE3119	3119	NTE4099B	4099B	NTE4996	4996	NTE5110A	5110A
NTE1943	1943	NTE2372	2372	NTE2586	2586	NTE3120	3120	NTE4100B	4100B	NTE4997	4997	NTE5111A	5111A
NTE1944	1944	NTE2373	2373	NTE2587	2587	NTE3121	3121	NTE4101B	4101B	NTE4998	4998	NTE5112A	5112A
NTE1945	1945	NTE2374	2374	NTE2588	2588	NTE3122	3122	NTE4102B	4102B	NTE4999	4999	NTE5113A	5113A
NTE1946	1946	NTE2375	2375	NTE2589	2589	NTE3123	3123	NTE4103B	4103B	NTE5000A	5000A	NTE5114A	5114A
NTE1947	1947	NTE2376	2376	NTE2590	2590	NTE3124	3124	NTE4104B	4104B	NTE5000A	5000A	NTE5115A	5115A
NTE1948	1948	NTE2377	2377	NTE2591	2591	NTE3125	3125	NTE4105B	4105B	NTE5001A	5001A	NTE5116A	5116A
NTE1949	1949	NTE2378	2378	NTE2592	2592	NTE3126	3126	NTE4106B	4106B	NTE5002A	5002A	NTE5117A	5117A
NTE1950	1950	NTE2379	2379	NTE2593	2593	NTE3127	3127	NTE4107B	4107B	NTE5003A	5003A	NTE5118A	5118A
NTE1951	1951	NTE2380	2380	NTE2594	2594	NTE3128	3128	NTE4108B	4108B	NTE5004A	5004A	NTE5119A	5119A
NTE1952	1952	NTE2381	2381	NTE2595	2595	NTE3129	3129	NTE4109B	4109B	NTE5005A	5005A	NTE5120A	5120A
NTE1953	1953	NTE2382	2382	NTE2596	2596	NTE3130	3130	NTE4110B	4110B	NTE5006A	5006A	NTE5121A	5121A
NTE1954	1954	NTE2383	2383	NTE2597	2597	NTE3131	3131	NTE4111B	4111B	NTE5007A	5007A	NTE5122A	5122A
NTE1955	1955	NTE2384	2384	NTE2598	2598	NTE3132	3132	NTE4112B	4112B	NTE5008A	5008A	NTE5123A	5123A
NTE1956	1956	NTE2385	2385	NTE2599	2599	NTE3133	3133	NTE4113B	4113B	NTE5009A	5009A	NTE5124A	5124A
NTE1957	1957	NTE2386	2386	NTE2600	2600	NTE3134	3134	NTE4114B	4114B	NTE5010A	5010A	NTE5125A	5125A
NTE1958	1958	NTE2387	2387	NTE2601	2601	NTE3135	3135	NTE4115B	4115B	NTE5011A	5011A	NTE5126A	5126A
NTE1959	1959	NTE2388	2388	NTE2602	2602	NTE3136	3136	NTE4116B	4116B	NTE5012A	5012A	NTE5127A	5127A
NTE1960	1960	NTE2389	2389	NTE2603	2603	NTE3137	3137	NTE4117B	4117B	NTE5013A	5013A	NTE5128A	5128A
NTE1961	1961	NTE2390	2390	NTE2604	2604	NTE3138	3138	NTE4118B	4118B	NTE5014A	5014A	NTE5129A	5129A
NTE1962	1962	NTE2391	2391	NTE2605	2605	NTE3139	3139	NTE4119B	4119B	NTE5015A	5015A	NTE5130A	5130A
NTE1963	1963	NTE2392	2392	NTE2606	2606	NTE3140	3140	NTE4120B	4120B	NTE5016A	5016A	NTE5131A	5131A
NTE1964	1964	NTE2393	2393	NTE2607	2607	NTE3141	3141	NTE4121B	4121B	NTE5017A	5017A	NTE5132A	5132A
NTE1965	1965	NTE2394	2394	NTE2608	2608	NTE3142	3142	NTE4122B	4122B	NTE5018A	5018A	NTE5133A	5133A
NTE1966	1966	NTE2395	2395	NTE2609	2609	NTE3143	3143	NTE4123B	4123B	NTE5019A	5019A	NTE5134A	5134A
NTE19													

To Be Replaced	ECG Replacement	To Be Replaced	ECG Replacement	To Be Replaced	ECG Replacement	To Be Replaced	ECG Replacement	To Be Replaced	ECG Replacement	To Be Replaced	ECG Replacement	To Be Replaced	ECG Replacement
NTE5183AK	5183AK	NTE5259AK	5259AK	NTE5387	5387	NTE5020	5020	NTE5932	5932	NTE6248	6248	NTE7102	7102
NTE5184A	5184A	NTE5259A	5259A	NTE5400	5400	NTE5023	5023	NTE5933	5933	NTE6248	6248	NTE7104	7104
NTE5184AK	5184AK	NTE5259AK	5259AK	NTE5401	5401	NTE5029	5029	NTE5940	5940	NTE6254	6254	NTE7105	7105
NTE5185A	5185A	NTE5259A	5259A	NTE5402	5402	NTE5031	5031	NTE5941	5941	NTE6255	6255	NTE7107	7107
NTE5185AK	5185AK	NTE5259AK	5259AK	NTE5404	5404	NTE5032	5032	NTE5944	5944	NTE6257	6257	NTE7108	7108
NTE5186A	5186A	NTE5257AK	5257AK	NTE5405	5405	NTE5033	5033	NTE5945	5945	NTE6258	6258	NTE7110	7110
NTE5186AK	5186AK	NTE5257AK	5257AK	NTE5406	5406	NTE5035	5035	NTE5948	5948	NTE6259	6259	NTE7112	7112
NTE5187A	5187A	NTE5258A	5258A	NTE5408	5408	NTE5037	5037	NTE5949	5949	NTE6262	6262	NTE7113	7113
NTE5187AK	5187AK	NTE5258AK	5258AK	NTE5409	5409	NTE5038	5038	NTE5952	5952	NTE6263	6263	NTE7114	7114
NTE5188A	5188A	NTE5259AK	5259AK	NTE5410	5410	NTE5040	5040	NTE5953	5953	NTE6264	6264	NTE7115	7115
NTE5188AK	5188AK	NTE5259AK	5259AK	NTE5411	5411	NTE5041	5041	NTE5952	5952	NTE6265	6265	NTE7116	7116
NTE5189A	5189A	NTE5259AK	5259AK	NTE5412	5412	NTE5042	5042	NTE5953	5953	NTE6266	6266	NTE7118	7118
NTE5189AK	5189AK	NTE5259AK	5259AK	NTE5413	5413	NTE5043	5043	NTE5956	5956	NTE6267	6267	NTE7119	7119
NTE5190A	5190A	NTE5261A	5261A	NTE5414	5414	NTE5045	5045	NTE5957	5957	NTE6268	6268	NTE7120	7120
NTE5190AK	5190AK	NTE5261AK	5261AK	NTE5415	5415	NTE5046	5046	NTE5980	5980	NTE6411	6411	NTE7121	7121
NTE5191A	5191A	NTE5262A	5262A	NTE5416	5416	NTE5047	5047	NTE5981	5981	NTE6412	6412	NTE7123	7123
NTE5191AK	5191AK	NTE5262AK	5262AK	NTE5417	5417	NTE5051	5051	NTE5982	5982	NTE6415	6415	NTE7124	7124
NTE5192A	5192A	NTE5263A	5263A	NTE5418	5418	NTE5052	5052	NTE5983	5983	NTE6416	6416	NTE7125	7125
NTE5192AK	5192AK	NTE5263AK	5263AK	NTE5419	5419	NTE5053	5053	NTE5986	5986	NTE6417	6417	NTE7126	7126
NTE5193A	5193A	NTE5264A	5264A	NTE5420	5420	NTE5054	5054	NTE5987	5987	NTE6418	6418	NTE7128	7128
NTE5193AK	5193AK	NTE5264AK	5264AK	NTE5426	5426	NTE5057	5057	NTE5988	5988	NTE6419	6419	NTE7130	7130
NTE5194A	5194A	NTE5265A	5265A	NTE5427	5427	NTE5057	5057	NTE5989	5989	NTE6502	6502	NTE7401	7401
NTE5194AK	5194AK	NTE5265AK	5265AK	NTE5428	5428	NTE5057	5057	NTE5990	5990	NTE6507	6507	NTE7402	7402
NTE5195A	5195A	NTE5266A	5266A	NTE5429	5429	NTE5057	5057	NTE5991	5991	NTE6508	6508	NTE7404	7404
NTE5195AK	5195AK	NTE5266AK	5266AK	NTE5437	5437	NTE5057	5057	NTE5992	5992	NTE6532	6532	NTE7405	7405
NTE5196A	5196A	NTE5267A	5267A	NTE5438	5438	NTE5057	5057	NTE5993	5993	NTE6664	6664	NTE7406	7406
NTE5196AK	5196AK	NTE5267AK	5267AK	NTE5440	5440	NTE5058	5058	NTE5994	5994	NTE6900	6900	NTE7407	7407
NTE5197A	5197A	NTE5268A	5268A	NTE5452	5452	NTE5059	5059	NTE5995	5995	NTE6909	6909	NTE7408	7408
NTE5197AK	5197AK	NTE5268AK	5268AK	NTE5453	5453	NTE5063	5063	NTE5996	5996	NTE6909E	6909E	NTE7409	7409
NTE5198A	5198A	NTE5270A	5270A	NTE5465	5465	NTE5063	5063	NTE5997	5997	NTE6910	6910	NTE7410	7410
NTE5198AK	5198AK	NTE5270AK	5270AK	NTE5465	5465	NTE5067	5067	NTE6002	6002	NTE6921	6921	NTE7411	7411
NTE5199A	5199A	NTE5270A	5270A	NTE5467	5467	NTE5068	5068	NTE6003	6003	NTE6950	6950	NTE7412	7412
NTE5199AK	5199AK	NTE5270AK	5270AK	NTE5468	5468	NTE5069	5069	NTE6004	6004	NTE6960	6960	NTE7413	7413
NTE5200A	5200A	NTE5271A	5271A	NTE5468	5468	NTE5069	5069	NTE6005	6005	NTE6975	6975	NTE7414	7414
NTE5200AK	5200AK	NTE5271AK	5271AK	NTE5461	5461	NTE5069	5069	NTE6006	6006	NTE6980	6980	NTE7416	7416
NTE5201A	5201A	NTE5272A	5272A	NTE5462	5462	NTE5069	5069	NTE6007	6007	NTE6986	6986	NTE7417	7417
NTE5201AK	5201AK	NTE5272AK	5272AK	NTE5463	5463	NTE5069	5069	NTE6008	6008	NTE6987	6987	NTE7420	7420
NTE5202A	5202A	NTE5273A	5273A	NTE5465	5465	NTE5070	5070	NTE6008	6008	NTE6988	6988	NTE7421	7421
NTE5202AK	5202AK	NTE5273AK	5273AK	NTE5466	5466	NTE5070	5070	NTE6011	6011	NTE7000	7000	NTE7422	7422
NTE5203A	5203A	NTE5274A	5274A	NTE5468	5468	NTE5071	5071	NTE6013	6013	NTE7001	7001	NTE7423	7423
NTE5203AK	5203AK	NTE5274AK	5274AK	NTE5470	5470	NTE5072	5072	NTE6020	6020	NTE7002	7002	NTE7425	7425
NTE5204A	5204A	NTE5275A	5275A	NTE5491	5491	NTE5073	5073	NTE6021	6021	NTE7003	7003	NTE7428	7428
NTE5204AK	5204AK	NTE5275AK	5275AK	NTE5492	5492	NTE5075	5075	NTE6022	6022	NTE7004	7004	NTE7427	7427
NTE5205A	5205A	NTE5276A	5276A	NTE5494	5494	NTE5078	5078	NTE6023	6023	NTE7005	7005	NTE7428	7428
NTE5205AK	5205AK	NTE5276AK	5276AK	NTE5496	5496	NTE5100	5100	NTE6026	6026	NTE7006	7006	NTE7432	7432
NTE5206A	5206A	NTE5277A	5277A	NTE5501	5501	NTE5111	5111	NTE6027	6027	NTE7007	7007	NTE7433	7433
NTE5206AK	5206AK	NTE5277AK	5277AK	NTE5502	5502	NTE5112	5112	NTE6032	6032	NTE7010	7010	NTE7434	7434
NTE5207A	5207A	NTE5278A	5278A	NTE5504	5504	NTE5114	5114	NTE6033	6033	NTE7011	7011	NTE7438	7438
NTE5207AK	5207AK	NTE5278AK	5278AK	NTE5507	5507	NTE5120	5120	NTE6034	6034	NTE7012	7012	NTE7440	7440
NTE5208A	5208A	NTE5279A	5279A	NTE5509	5509	NTE5121	5121	NTE6035	6035	NTE7013	7013	NTE7441	7441
NTE5208AK	5208AK	NTE5279AK	5279AK	NTE5511	5511	NTE5122	5122	NTE6038	6038	NTE7014	7014	NTE7442	7442
NTE5209A	5209A	NTE5280A	5280A	NTE5512	5512	NTE5124	5124	NTE6037	6037	NTE7015	7015	NTE7443	7443
NTE5209AK	5209AK	NTE5280AK	5280AK	NTE5514	5514	NTE5800	5800	NTE6040	6040	NTE7018	7018	NTE7445	7445
NTE5210A	5210A	NTE5281A	5281A	NTE5515	5515	NTE5901	5901	NTE6041	6041	NTE7019	7019	NTE7446	7446
NTE5210AK	5210AK	NTE5281AK	5281AK	NTE5516	5516	NTE5902	5902	NTE6042	6042	NTE7020	7020	NTE7447	7447
NTE5211A	5211A	NTE5282A	5282A	NTE5517	5517	NTE5904	5904	NTE6044	6044	NTE7022	7022	NTE7448	7448
NTE5211AK	5211AK	NTE5282AK	5282AK	NTE5518	5518	NTE5906	5906	NTE6045	6045	NTE7023	7023	NTE7450	7450
NTE5212A	5212A	NTE5283A	5283A	NTE5519	5519	NTE5908	5908	NTE6046	6046	NTE7024	7024	NTE7451	7451
NTE5212AK	5212AK	NTE5283AK	5283AK	NTE5520	5520	NTE5909	5909	NTE6047	6047	NTE7025	7025	NTE7454	7454
NTE5213A	5213A	NTE5284A	5284A	NTE5522	5522	NTE5912	5912	NTE6048	6048	NTE7026	7026	NTE7460	7460
NTE5213AK	5213AK	NTE5284AK	5284AK	NTE5524	5524	NTE5914	5914	NTE6049	6049	NTE7027	7027	NTE7470	7470
NTE5214A	5214A	NTE5285A	5285A	NTE5527	5527	NTE5915	5915	NTE6050	6050	NTE7028	7028	NTE7472	7472
NTE5214AK	5214AK	NTE5285AK	5285AK	NTE5529	5529	NTE5917	5917	NTE6051	6051	NTE7029	7029	NTE7473	7473
NTE5215A	5215A	NTE5286A	5286A	NTE5531	5531	NTE5918	5918	NTE6054	6054	NTE7030	7030	NTE7475	7475
NTE5215AK	5215AK	NTE5286AK	5286AK	NTE5534A	5534A	NTE5919	5919	NTE6055	6055	NTE7031	7031	NTE7480	7480
NTE5216A	5216A	NTE5287A	5287A	NTE5536	5536	NTE5920	5920	NTE6060	6060	NTE7032	7032	NTE7482	7482
NTE5216AK	5216AK	NTE5287AK	5287AK	NTE5538	5538	NTE5921	5921	NTE6061	6061	NTE7033	7033	NTE7483	7483
NTE5217A	5217A	NTE5288A	5288A	NTE5539	5539	NTE5922	5922	NTE6062	6062	NTE7034	7034	NTE7486	7486
NTE5217AK	5217AK	NTE5288AK	5288AK	NTE5540	5540	NTE5923	5923	NTE6068	6068	NTE7035	7035	NTE7486	7486
NTE5218A	5218A	NTE5289A	5289A	NTE5541	5541	NTE5927	5927	NTE6069	6069	NTE7037	7037	NTE7489	7489
NTE5218AK	5218AK	NTE5289AK	5289AK	NTE5542	5542	NTE5928	5928	NTE6070	6070	NTE7038	7038	NTE7490	7490
NTE5219A	5219A	NTE5290A	5290A	NTE5543	5543	NTE5930	5930	NTE6071	6071	NTE7039	7039	NTE7491	7491
NTE5219AK	5219AK	NTE5290AK	5290AK	NTE5545	5545	NTE5931	5931	NTE6072	6072	NTE7040	7040	NTE7492	7492
NTE5220A	5220A	NTE5291A	5291A	NTE5547	5547	NTE5934	5934	NTE6073	6073	NTE7041	7041	NTE7493A	7493A
NTE5220AK	5220AK	NTE5291AK	5291AK	NTE5548	5548	NTE5935	5935	NTE6074	6074	NTE7042	7042	NTE7495	7495
NTE5221A	5221A	NTE5292A	5292A	NTE5549	5549	NTE5936	5936	NTE6075	6075	NTE7043	7043	NTE7496	7496
NTE5221AK	5221AK	NTE5292AK	5292AK	NTE5551	5551	NTE5939	5939	NTE6076	6076	NTE7044	7044	NTE7497	7497
NTE5222A	5222A	NTE5293A	5293A	NTE5552	5552	NTE5942	5942	NTE6077	6077	NTE7045	7045	NTE8070	8070
NTE5222AK	5222AK	NTE5293AK	5293AK	NTE5553	5553	NTE5943	5943	NTE6078	6078	NTE7046	7046	NTE8076	8076
NTE5223A	5223A	NTE5294A	5294A	NTE5554	5554	NTE5946	5946	NTE6079	6079	NTE7048	7048	NTE8080A	8080A
NTE5223AK	5223AK	NTE5294AK	5294AK	NTE5555	5555	NTE5948	5948	NTE6080	6080	NTE7049	7049	NTE8081	8081
NTE5224A	5224A	NTE5295A	5295A	NTE5556	5556	NTE5949	5949	NTE6081	6081	NTE7050	7050	NTE8090	8090
NTE5224AK	5224AK	NTE5295AK	5295AK	NTE5557	5557	NTE5950	5950	NTE6082	6082	NTE7051	7051	NTE8096	8096
NTE5225A	5225A	NTE5296A	5296A	NTE5558	5558	NTE5951	5951	NTE6083	6083	NTE7052	7052	NTE8103	8103
NTE5225AK	5225AK	NTE5296AK	5296AK	NTE5560	5560	NTE5952	5952	NTE6084	6084	NTE7053	7053	NTE8108	8108
NTE5226A	5226A	NTE5297A	5297A	NTE5562	5562	NTE5955	5955						

To Be Replaced	ECG Replacement	To Be Replaced	ECG Replacement	To Be Replaced	ECG Replacement	To Be Replaced	ECG Replacement	To Be Replaced	ECG Replacement	To Be Replaced	ECG Replacement	To Be Replaced	ECG Replacement
NTE9809	9809	NU34	109	Q3A07	123A	O501100F	5569	QA2270	5013A	OC305	159	OC742M	169
NTE9810	9810	NU388E	118	Q3A09	312	O630033A	1732	QA2271	5015A	OC306	159	OC742M	169
NTE9812	9812	NUV04	614	Q4A25.1Y	5010T1	O6300336	1703	QA2272	5018A	OC207	159	OC810	169
NTE9814	9814	NUV09	614	Q4A25.6Y	5011T1	O6300519	7808	QA2273	5021A	OC302	102A	OC 975	126A
NTE9832	9832	NV022D05	1V014	Q4A25.6Y	5011T1	O6300621	7015	QA2290	5180AK	OC303	102A	OD-SS1885XT	116
NTE9836	9836	NV022D10	2V014	Q4A25.2Y	5013T	Q42	507	QA2	5162AK	OC304	102A	OF66	506
NTE9837	9837	NV022D14	2V014	Q4A28Z	5014A	Q42	507	QA2281	5194	OC 304	176	OF129	102A
NTE9844	9844	NV027D05	1V017	Q4A29.1Y	5010A	Q47	109	QB2764K-2	2764	OC304-1	102A	OF129	102A
NTE9845	9845	NV027D05	1V017	Q4A220Y	5028A	O48	116	OBG1000	3115	OC 304/1	158	OF131	519
NTE9846	9846	NV027D10	2V017	Q40304	130	O43	110A	OC10	102	OC304-2	102A	OF156	519
NTE9848	9848	NV027D14	2V017	Q4505	302	O49D	109	OC16	121	OC304/2	158	OF160	519
NTE9849	9849	NV027D14	2V017	Q4506	235	O49Z	109	OC19	121	OC304-3	102A	OF182	177
NTE9850	9850	NV033D05	1V020	Q4511	152	OA-10	128	OC20	121	OC304/3	158	OF184	116
NTE9851	9851	NV033D07	2V020	Q4505	302	OA10	5900	OC22	104	OC304N	102A	OF193	109
NTE9852	9852	NV033D10	2V020	Q4506	302	OA17	109	OC23	102	OC305	102A	OF194	555
NTE9853	9853	NV033D10	2V020	O5A01	519	OA50	109	OC23	102	OC305-1	102A	OG-301125	116
NTE9863	9863	NV033D14	2V025	O5A03	109	OA70	109	OC23	121	OC305/1	158	OQ610232-2	123AP
NTE9869	9869	NV039D05	1V025	O5A05	519	OA71	109	OC24	104	OC305-2	102A	O R351	194
NTE15005	15005	NV039D07	2V025	O5A06	177	QA71C	109	OC24	121	OC305/2	158	OLD31SD	3010
NTE15006	15006	NV039D14	2V025	O5A07	116	UA72	109	OC25	102A	OC306	102A	OLD416LD	3000
NTE15007	15007	NV047D05	1V030	O5A08	614	QA73	109	OC25	121	OC306-1	102A	OLD3101D	3024
NTE15009	15009	NV047D07	2V030	O5A09	156	QA73C	109	OC26	102	OC306/1	158	OLD4101D	3025
NTE15019	15019	NV047D14	2V030	O5A10	519	QA74	109	OC26	121	OC306-2	102A	OLD7101D	3021
NTE15020	15020	NV056D05	1V035	O5A03	109	QA74A	109	OC27	104	OC306/2	158	OM47204-2	123A
NTE15021	15021	NV056D09	1V035	O5A05	519	QA79	109	OC28	102	OC306-3	102A	OM67A	109
NTE15023	15023	NV056D10	2V035	O5A06	177	QA81	109	OC28	121	OC306/3	158	ON74LS03N	74LS03
NTE15024	15024	NV056D10	2V035	O5A07	116	O5A17	109	OC29	102	OC307	102A	ON74LS08N	74LS08
NTE15041	15041	NV058D05	1V040	O5A08	614	QA85	109	OC29	121	OC307-1	102A	ON74LS174N	74LS174
NTE15042	15042	NV058D07	2V040	O5A09	156	QA85C	109	OC30	102	OC307-1	102A	ON74LS175N	74LS175
NTE15043	15043	NV058D14	2V040	O5A25.5Y	5011T1	QA86	109	OC30	121	OC307-2	102A	ON74LS240N	74LS240
NTE15044	15044	NV058D05	1V050	O5A275	5046A	QA86C	109	OC30A	131	OC307-3	102A	ON74LS244N	74LS244
NTE15045	15045	NV058D09	1V050	O5A275-R	5046A	QA90	109	OC30B	131	OC308	102A	ON74LS373N	74LS373
NTE15046	15046	NV082D10	2V050	O5B(ZENER)	5009A	QA-90	109	OC32	102	OC308	102A	ON74LS374N	74LS374
NTE40085B	40085B	NV082D14	2V050	O5M1	5010A	QA-90(G)	109	OC33	102	OC309	102A	ON74LS670N	74LS670
NTE40097B	40097B	NV100D05	1V080	O5Z3.0Y	5005A	QA90AG	110A	OC34	102A	OC309-1	102A	ON74LS670N	74LS670
NTE40108B	40108B	NV100D10	2V080	O5Z3.6	136A	QA90FM	109	OC34	102A	OC309-2	102A	ON74LS670N	74LS670
NTE40108B	40108B	NV100D14	2V080	O5Z3.9Y	5007A	QA90FM	110MP	OC35	102	OC309-3	102A	ON74LS139N	74LS139
NTE40108B	40108B	NV120D05	1V075	O5Z4.3Y	5008A	QA90FM	109	OC35	121	OC318	102A	ON174	160
NTE40160B	40160B	NV120D07	2V075	O5Z4.3Z	5009A	QA-90G	109	OC36	104	OC319	102A	ON271	123A
NTE40162B	40162B	NV120D14	2V075	O5Z4.7Y	5009A	QA90G	109	OC36	121	OC319	102A	ON271	123A
NTE40163B	40163B	NV150D05	1V095	O5Z5.1X	5010T1	QA90GA	109	OC38	102A	OC330	102A	ON642	280
NTE40174B	40174B	NV150D07	2V095	O5Z5.1Y	5010T1	QA90LF	109	OC38	102A	OC330	102A	ON732	245
NTE40175B	40175B	NV150D14	2V095	O5Z5.1Z	5010T1	QA90M	109	OC40	102	OC331	126A	ON769(CBE)	47
NTE40185B	40185B	NV200D05	1V130	O5Z5.6X	5011T1	QA90MLF	109	OC41	102	OC340	102A	ON2170F	3105
NTE40185B	40185B	NV200D09	1V130	O5Z5.6X	5011T1	QA90MLF	109	OC41A	102A	OC340	102A	ON2170F	3105
NTE40185B	40185B	NV200D10	2V130	O5Z5.6Y	5011T1	QA90Z	109	OC41N	102A	OC341	102A	ON2170F	3106
NTE40194B	40194B	NV200D14	2V130	O5Z6.2	137A	QA90ZA	109	OC42	126A	OC341	102A	ON3111	3098
NTE40195B	40195B	NV200D19	2V130	O5Z6.2L	137A	QA91	109	OC42N	102A	OC342	102A	ON3111Q	3098
NTE56004	56004	NV200V14	2V130	O5Z6.2W	5013T1	QA-91	109	OC43	102	OC342	102A	ON3111F	3098
NTE56006	56006	NV240D05	1V150	O5Z6.2WFA-1	5013T1	QA91A	109	OC43N	126A	OC343	102A	ON3112	3220
NTE56008	56008	NV240D09	1V150	O5Z6.2Y	5013T1	QA92	109	OC44	100	OC343	102A	ON3112C	3220
NTE56010	56010	NV240D10	2V150	O5Z6.2Z	5013T1	QA-95	110MP	OC45	102A	OC350	102A	ON3112F	3220
NTE56015	56015	NV240D14	2V150	O5Z6.8	5071A	QA95	109	OC45	102	OC351	102A	ON3113	3220
NTE56017	56017	NV240D19	2V150	O5Z6.8X	5014A	QA99	102A	OC45N	102A	OC351	102A	ON3132	3220
NTE56018	56018	NV270D05	1V175	O5Z6.8Y	5014A	QA111SE	5074A	OC46	102A	OC351	102A	ON3132F	3220
NTE56019	56019	NV270D20	2V175	O5Z6.8Z	5014A	QA120/S	5069A	OC46	102A	OC351	102A	ON3134	3221
NTE56020	56020	NV360D05	1V250	O5Z7.5	138A	QA126/10	5020A	OC46N	102A	OC360	102A	ON3134R	3221
NTE56022	56022	NV360D07	2V250	O5Z7.5Y	5015A	QA126/12	142A	OC47	102A	OC361	102A	ON3134R	3098
NTE56024	56024	NV360D14	2V250	O5Z8.2	5072A	QA126/12	142A	OC47	102A	OC362	102A	ON3134R	3098
NTE56026	56026	NV360D05	1V250	O5Z9.1	139A	QA126/14	144A	OC47N	102A	OC362	102A	ON3161-Q	3098
NTE56028	56028	NV360D09	1V250	O5Z10	140A	QA127	116	OC50	126A	OC363	102A	ON3161R	3098
NTE56030	56030	NV360D14	2V250	O5Z10L	140A	QA128	116	OC51	126	OC363	102A	ON3161R	3098
NTE56031	56031	NV360D14	2V250	O5Z11	5074A	QA129	116	OC54	102	OC364	102A	ON350A	3046
NTE56033	56033	NV390D19	2V250	O5Z11Y	5020A	QA130	116	OC55	160	OC364	102A	ON4047	2318
NTE74107	74107	NV390D20	2V250	O5Z12	141A	QA131	116	OC56	102A	OC390	102A	ON74338N	74338
NTE74109	74109	NV430D05	1V275	O5Z12	142A	QA132	116	OC66	102A	OC390	102A	ON74204-1	123A
NTE74110	74110	NV430D07	2V275	O5Z12X	5021A	QA134Q	109	OC65	102A	OC400	160	ON74007N	7407
NTE74121	74121	NV430D14	2V275	O5Z12Y	5021T1	QA150	109	OC66	102A	OC410	100	ON084443	100
NTE74122	74122	NV430D20	2V275	O5Z13	143A	QA151	109	OC66	102A	OC410	100	OOV60529	128
NTE74123	74123	NV470D05	1V300	O5Z15	145A	QA152	160	OC70	102A	OC430	169	OF 130	3028
NTE74124	74124	NV470D10	2V300	O5Z15X	5024A	QA160	109	OC70K	102A	OC440	102A	OF 130	3028
NTE74126	74126	NV470D14	2V300	O5Z15Z	5024A	QA160	109	OC70N	102A	OC440	159	OF131	3028
NTE74128	74128	NV470D20	2V300	O5Z16	5075A	QA161	109	OC71	102A	OC440K	159	OF 131	3028
NTE74132	74132	NV750D20	2V4V8	O5Z16X	5075A	QA161	109	OC71	102A	OC440K	159	OF 131	3028
NTE74141	74141	NV780D10	2V480	O5Z18	5077A	QA174	109	OC71A	102A	OC443K	159	OF800	3032
NTE74145	74145	NV780D14	2V480	O5Z20X	5028A	QA180	116	OC71A	102A	OC445	159	OF801	3032
NTE74150	74150	NV780D19	2V480	O5Z21	5081A	QA200	177	OC71N	102A	OC445K	159	OF13009	3047
NTE74153	74153	NZ-206	5070A	O5Z33Y	5036A	QA202	177	OC71N	102A	OC445K	159	OF13010	3047
NTE74154	74154	OC3415	159	O5Z36Y	5036A	QA205	177	OC72	102A	OC448K	159	OF13011	3047
NTE74155	74155	O53462	107	O-6(KMeters)	249	QA210	116	OC73	102A	OC450	159	OF13012	3047
NTE74156	74156	QA0A07	787	O6C(ZENER)	5012A	QA211	116	OC73	102A	OC460	159	OP13020	3048
NTE74157	74157	O1F 8020	703	O6M(ZENER)	5012A	QA214	116	OC74	102A	OC460K	159	OP13021	3048
NTE74160	74160	O1F 8020	703	O6M(Zener)	5012A	QA241	159	OC74	102A	OC463	159	OP13022	3048
NTE74161	74161	OC23.3Z	5005SM	O7B2B	708	QA909	109	OC74N	102A	OC463K	159	OP13023	3048
NTE74162	74162	OC23.6Z	5006SM	O7B27	708	OA1265	135A	OC75	102A	OC465	159	OP16000	3088
NTE7416													

Table with 12 columns: To Be Replaced, ECG Replacement, To Be Replaced, ECG Replacement, To Be Replaced, ECG Replacement, To Be Replaced, ECG Replacement, To Be Replaced, ECG Replacement, To Be Replaced, ECG Replacement. Contains numerous part numbers and their equivalents.

•, #, *, +, \$, † - See Special Notes on Page 2-2

Table with columns for 'To Be Replaced', 'ECG Replacement', and multiple columns of part numbers. The table lists various semiconductor components and their corresponding ECG replacement parts, organized into columns.

When basing of original part differs from ECG replacement, basing for original part is shown in parentheses () after the part number. For example, the 2SA509A(ECB) is replaced by EC159 which has "EBC" basing.

Main table with columns: To Be Replaced, ECG Replacement, To Be Replaced, ECG Replacement, To Be Replaced, ECG Replacement, To Be Replaced, ECG Replacement, To Be Replaced, ECG Replacement, To Be Replaced, ECG Replacement. Contains thousands of entries for various semiconductor components.

◆, *, @, ., +, §, † - See Special Notes on Page 2-2

To Be Replaced	ECG Replacement	To Be Replaced	ECG Replacement	To Be Replaced	ECG Replacement	To Be Replaced	ECG Replacement	To Be Replaced	ECG Replacement	To Be Replaced	ECG Replacement	To Be Replaced	ECG Replacement	To Be Replaced	ECG Replacement
PC-20110	1465	PD6049C	136A	PE9946-59	9946	PFZ82A	495A	PG5401	156	PL90	533A	PM357P	937M		
PC-20143	2080	PD6050	137A	PE9948-59	9948	PFZ88A	495B	PG5402	156	PL100	533B	PM357P	937M		
PC-20177	1248	PD6051	5071A	PE9949-59	9949	PFZ88A	495B	PG5403	156	PL-150-001-9-005	109	PM741CJ	925		
PCMB74L500M	74L500	PD6052	138A	PE9950-59	9950	PFZ88A	495B	PG5404	156	PL-150-008-9-001	109	PM741CJ	925		
PCMB74L502M	74L502	PD6053	5072A	PE9951-59	9951	PFZ75A	4960	PG5405	156	PL-150-040-9-002	177	PM1120	224		
PCMB74L504M	74L504	PD6054	139A	PE9952-59	9952	PFZ82A	495A	PG5407	156	PL-151-030-9-001	177	PM1121	123A		
PCMB74L505M	74L505	PD6055	140A	PE9953-59	9953	PFZ82A	495A	PG5408	156	PL-151-030-9-005	116	PMB74LS244P	74LS244		
PCMB74L510M	74L510	PD6056	5074A	PE9954-59	9954	PFZ91A	4964	PG9306-4G	128	PL-151-032-9-004	177	PMB91A	593		
PCMB74LS32M	74LS32	PD6057	142A	PE9955-59	9955	PFZ91A	4964	PGR-24	5802	PL-151-036-9-001	177	PMBD2835	596		
PC2011S2	116	PD6058	143A	PE9956-59	9956	PFZ100A	4966	PH9-221	166	PL-151-040-9-002	177	PMBD2835	596		
PD05	166	PD6059	45A	PE9957-59	9957	PFZ110A	4968	PH9D5221M	169	PL-151-040-9-003	116	PMBD2838	596		
PD10	166	PD6060	5075A	PE9958-59	9958	PFZ110A	4968	PH9D5222M	169	PL-151-045-9-001	116	PMBD6100	596		
PD20	166	PD6061	5077A	PE9959-59	9959	PFZ120	4970	PH9D5221	166	PL-151-045-9-002	177	PMBT2222	2406		
PD25F-20	5711	PD6062	154	PE9960-59	9960	PFZ120A	4970	PH9D5222	116	PL-151-045-9-003	506	PMBT2222A	2406		
PD25F-40	5711	PD6063	3093	PE9961-59	9961	PFZ130A	4972	PH9D5221	169	PL-151-045-9-004	116	PMBT2369	2406		
PD25F-60	5711	PD9934-59	3094	PE9962-59	9962	PFZ130A	4972	PH10	6829	PL-152-042-9-001	5072A	PMBT2307A	2407		
PD40	169	PD9937-59	3097	PE9963-59	9963	PFZ150	4974	PH20	5329	PL-152-044-9-001	139A	PMBT3903	2406		
PD40F-20	5711	PD9939-59	3099	PE9964-59	9964	PFZ150A	4974	PH25C22	116	PL-152-047-9-001	137A	PMBT3904	2406		
PD40F-40	5711	PD9939-59	3099	PE9965-59	9965	PFZ160	4976	PH25C22/1	116	PL-152-051-9-001	139A	PMBT3905	2407		
PD40F-60	5711	PD9939-59	3099	PE9966-59	9966	PFZ160A	4976	PH25C22/1	166	PL-152-052-9-002	5070A	PMBT4401	2406		
PD40F-80	5711	PD9939-59	3099	PE9967-59	9967	PFZ170	4978	PH40	5330	PL-152-054-9-001	5072A	PMBT4403	2407		
PD55F-20	5711	PD9939-59	3099	PE9968-59	9968	PFZ170A	4978	PH40-200R	5986	PL-172-010-9-001	152	PMBT5088	2408		
PD55F-40	5711	PD9939-59	3099	PE9969-59	9969	PFZ180	4980	PH40-200R	5987	PL-172-013-9-001	236	PMBT5401	2411		
PD55F-60	5711	PD9937-59	3097	PE9970-59	9970	PFZ180A	4980	PH40-600	5994	PL-172-014-9-001	152	PMBT5550	2410		
PD55F-80	5711	PD9944-59	3944	PE9971-59	9971	PFZ200	4982	PH40-600R	5995	PL-172-014-9-002	2828	PMBT5551	2410		
PD60	170	PD9945-59	3945	PE9972-59	9972	PFZ200A	4982	PH40-1000F	6003	PL-172-024-9-001	186A	PMBT5552	2406		
PD100	116	PD9945-59	3945	PE9973-59	9973	PFZ220	4982	PH60	5330	PL-172-024-9-003	236	PMBT5553	2406		
PD102	116	PD9948-59	3948	PE9974-59	9974	PFZ220A	4982	PH70-200	6054	PL-176-025-9-001	199	PMBT5554	2411		
PD103	116	PD9948-59	3948	PE9975-59	9975	PFZD6V8	4903	PH70-200R	6055	PL-176-026-9-001	107	PMBT5555	2411		
PD104	116	PD9950-59	3950	PE9976-59	9976	PFZD18	4927	PH70-600R	6064	PL-176-029-9-001	123A	PMBT5556	5005SM		
PD105	116	PD9951-59	3951	PE9977-59	9977	PFZD27	4935	PH70-600R	6065	PL-176-029-9-002	195A	PMBT5557	5005SM		
PD106	116	PD9951-59	3951	PE9978-59	9978	PH7068	4959	PH70-1000	6072	PL-176-031-9-001	289A	PMBT5558	5005SM		
PD107	116	PD9951-59	3951	PE9979-59	9979	PG100R	574	PH70-1000F	6073	PL-176-031-9-002	199	PMBT5559	5005SM		
PD107A	116	PD9951-59	3951	PE9980-59	9980	PG101R	574	PH100	574	PL-176-037-9-001	239	PMBT5560	5010SM		
PD108	116	PD9951-59	3951	PE9981-59	9981	PG102R	574	PH109	306	PL-176-042-9-001	239	PMBT5561	5010SM		
PD110	116	PD9951-59	3951	PE9982-59	9982	PG104R	574	PH109	125	PL-176-042-9-002	123A	PMBT5562	5010SM		
PD111	116	PD9951-59	3951	PE9983-59	9983	PG106R	575	PH204	116	PL-176-042-9-003	199	PMBT5563	5010SM		
PD112	116	PD9951-59	3951	PE9984-59	9984	PG107	610	PH208	116	PL-176-042-9-004	123A	PMBT5564	5010SM		
PD113	116	PD9951-59	3951	PE9985-59	9985	PG107A	610	PH302	3033	PL-176-042-9-005	186A	PMBT5565	5010SM		
PD114	116	PD9951-59	3951	PE9986-59	9986	PG150	125	PH404	116	PL-176-042-9-006	123A	PMBT5566	5010SM		
PD115	116	PD9951-59	3951	PE9987-59	9987	PG150R	588	PH421-6	332	PL-176-047-9-001	289A	PMBT5567	5024SM		
PD116	116	PD9951-59	3951	PE9988-59	9988	PG151R	588	PH421-6	116	PL-176-049-9-002	123A	PMBT5568	5024SM		
PD122	116	PD9951-59	3951	PE9989-59	9989	PG151R	588	PH1021	116	PL-177-006-9-001	290A	PMBT5569	5031SM		
PD125	116	PD9951-59	3951	PE9990-59	9990	PG152	125	PH2222A(CBE)	123AP	PL-177-006-9-002	290A	PMBT5570	5031SM		
PD129	116	PD9951-59	3951	PE9991-59	9991	PG152R	588	PH2369(CBE)	123AP	PL-182-009-9-001	312	PMB2526B	5005SM		
PD130	116	PD9951-59	3951	PE9992-59	9992	PG154	125	PH2907(CBE)	159	PL-182-014-9-002	123A	PMB2527B	5005SM		
PD131	116	PD9951-59	3951	PE9993-59	9993	PH297A	610	PH297A(CBE)	159	PL-182-014-9-002(FET)	312	PMB2528B	5005SM		
PD132	116	PD9951-59	3951	PE9994-59	9994	PH297A	610	PH297A(CBE)	159	PL-307-007-9-002	1102	PMB2529B	5005SM		
PD133	116	PD9951-59	3951	PE9995-59	9995	PH297A	610	PH3055T	331	PL-307-047-9-002	724	PMB2530B	5005SM		
PD134	116	PD9951-59	3951	PE9996-59	9996	PH297A	610	PHV1	292	PL946	165	PMB2531B	5005SM		
PD135	116	PD9951-59	3951	PE9997-59	9997	PH297A	610	PH10.131	159	PL1021	161	PMB2532B	5005SM		
PD137	177	PD9951-59	3951	PE9998-59	9998	PH297A	610	PH10.131	159	PL1022	161	PMB2533B	5005SM		
PD154	116	PD9951-59	3951	PE9999-59	9999	PH297A	610	PH1023	161	PL1023	161	PMB2534B	5013SM		
PD155	116	PD9951-59	3951	PE9999-59	9999	PH297A	610	PH1024	107	PL1024	107	PMB2535B	5014SM		
PD196	229	PD9951-59	3951	PE9999-59	9999	PH297A	610	PH1024	107	PL1024	107	PMB2536B	5015SM		
PD201	108	PD9951-59	3951	PE9999-59	9999	PH297A	610	PH1024	107	PL1024	107	PMB2537B	5015SM		
PD201B	108	PD9951-59	3951	PE9999-59	9999	PH297A	610	PH1024	107	PL1024	107	PMB2538B	5015SM		
PD201C	108	PD9951-59	3951	PE9999-59	9999	PH297A	610	PH1024	107	PL1024	107	PMB2539B	5015SM		
PD201D	108	PD9951-59	3951	PE9999-59	9999	PH297A	610	PH1024	107	PL1024	107	PMB2540B	5015SM		
PD208B	123AP	PD9951-59	3951	PE9999-59	9999	PH297A	610	PH1024	107	PL1024	107	PMB2541B	5015SM		
PD209	123AP	PD9951-59	3951	PE9999-59	9999	PH297A	610	PH1024	107	PL1024	107	PMB2542B	5015SM		
PD202D	123AP	PD9951-59	3951	PE9999-59	9999	PH297A	610	PH1024	107	PL1024	107	PMB2543B	5015SM		
PD308	6220	PD9951-59	3951	PE9999-59	9999	PH297A	610	PH1024	107	PL1024	107	PMB2544B	5015SM		
PD308	6220	PD9951-59	3951	PE9999-59	9999	PH297A	610	PH1024	107	PL1024	107	PMB2545B	5015SM		
PD308	6220	PD9951-59	3951	PE9999-59	9999	PH297A	610	PH1024	107	PL1024	107	PMB2546B	5015SM		
PD313	116	PD9951-59	3951	PE9999-59	9999	PH297A	610	PH1024	107	PL1024	107	PMB2547B	5015SM		
PD314	116	PD9951-59	3951	PE9999-59	9999	PH297A	610	PH1024	107	PL1024	107	PMB2548B	5015SM		
PD315	116	PD9951-59	3951	PE9999-59	9999	PH297A	610	PH1024	107	PL1024	107	PMB2549B	5015SM		
PD315	116	PD9951-59	3951	PE9999-59	9999</										

To Be Replaced	ECG Replacement	To Be Replaced	ECG Replacement	To Be Replaced	ECG Replacement	To Be Replaced	ECG Replacement	To Be Replaced	ECG Replacement	To Be Replaced	ECG Replacement	To Be Replaced	ECG Replacement
PN2369A	123AP	PP100	5317	PR9036	6026	PR9143	6106	PS405	116	PS8918	5075A	PT130C	5688
PN2482	123AP	PP3000	180	PR9038R	6027	PR9143R	6107	PS410(Diode)	116	PS8919	5077A	PT140	5688
PN2484	123AP	PP3001	181	PR9039	6034	PR9144	6106	PS415(SCR)	5515	PS10015B	5071A	PT140A	5688
PN2529	159	PP3003	130	PR9039R	6035	PR9144R	6107	PS420(Diode)	116	PS10018B	5072A	PT140B	5688
PN2604A	159	PP3004	131	PR9039	6034	PR9145	6106	PS420(SCR)	5515	PS10019B	139A	PT140C	5688
PN2905A	159	PP3006	90	PR9038R	6035	PR9145R	6107	PS425	116	PS10020B	140A	PT150	104
PN2906	159	PP3007	181	PR9039R	6041	PR9146	6107	PS430(Diode)	116	PS10022B	142A	PT150C	5688
PN2906A	159	PP3008	280	PR9040	6040	PR9147	6106	PS435(SCR)	5518	PS10023B	143A	PT155	121
PN2907	159	PP3310	152	PR9040R	6041	PR9147R	6107	PS435(SCR)	5518	PS10024B	143A	PT155C	5688
PN3055	123AP	PP3312	152	PR9041	6042	PR9148	6106	PS440(Diode)	116	PS10025B	143A	PT165	121
PN3259	159	PP3559	130	PR9041R	6043	PR9148R	6107	PS450	116	PS10026B	5075A	PT170	121
PN3259A	159	PP3647	181	PR9042	6042	PR9149	6106	PS460	116	PS10027B	5071A	PT176	121
PN3251	159	PPB1006	136	PR9042R	6043	PR9149R	6107	PS460	116	PS10028B	5071A	PT201	105
PN3251A	159	PPB1008	136	PR9043	6044	PR9161	6104	PS510	5516	PS10061	138A	PT210	5688
PN3563	108	PQ12FF11	7128	PR9043R	6045	PR9161R	6105	PS520	5516	PS10062	5072A	PT210A	5688
PN3564	123AP	PQ27	160	PR9044	6044	PR9162	6104	PS530	5519	PS10063	139A	PT210AB	5688
PN3565	123AP	PQ28	158	PR9044R	6045	PR9162R	6105	PS535	5519	PS10064	140A	PT210C	5688
PN3566	123AP	PQ29	158	PR9045	6354	PR9163	6104	PS603	116	PS10065	5074A	PT210C	5688
PN3567	194	PQ30	160	PR9045R	6355	PR9163R	6105	PS604	116	PS10066	142A	PT210C	5688
PN3568	194	PQ31	161	PR9046	6354	PR9164	6104	PS605	116	PS10067	143A	PT215A	5688
PN3569	194	PR315	135A	PR9046R	6355	PR9164R	6105	PS609	116	PS10068	5071A	PT215A	5688
PN3638	159	PR605	135A	PR9047	6354	PR9165	6104	PS610(Diode)	116	PS10069	145A	PT215AB	5688
PN3638A	159	PR617	142A	PR9047R	6355	PR9165R	6105	PS610(SCR)	5518	PS10069	5075A	PT215B	5688
PN3639	217	PR620	145A	PR9048	6354	PFC2A	54835	PS611	116	PS10070	5077A	PT215BC	5688
PN3640	217	PR620	145A	PR9048R	6355	PFC5A	54838	PS615	116	PS11327	94	PT215C	5688
PN3641	123AP	PR804	135A	PR9049	6354	PFC10A	54838	PS616	116	PS30802	519	PT225	5688
PN3642	123AP	PR1001	587	PR9049R	6355	PFC15A	54838	PS617	116	PS208900	123A	PT225A	5688
PN3643	123AP	PR1001G	574	PR9050	6356	PRC20A	54838	PS620	5518	PS3754	123AP	PT225AB	5688
PN3644	159	PR1001GL	574	PR9050R	6357	PRC30A	54838	PS621	116	PS3754	617	PT225C	5688
PN3645	159	PR1001L	587	PR9051	6356	PRD110	137A	PS622	116	PSV111-08	611	PT225C	5688
PN3646	123AP	PR1002	587	PR9051R	6357	PRD120	137A	PS623	116	PSV111-14	611	PT230	5688
PN3691	123AP	PR1002G	574	PR9059	6354	PRD140	137A	PS627	116	PSV111-16	611	PT230C	5688
PN3692	123AP	PR1002GL	574	PR9059R	6355	PRD150	137A	PS628	116	PSV114-06	613	PT230A	5688
PN3694	123AP	PR1002L	574	PR9060	6354	PRD160	137A	PS629	116	PSV114-14	613	PT230AB	5688
PN3742	287	PR1003	587	PR9060R	6355	PRT-101	123A	PS630	5019	PSV123-04	611	PT230B	5688
PN3743	288	PR1003G	574	PR9061	6354	PRT101	154	PS632	116	PSV123-16	611	PT230C	5688
PN4013	123AP	PR1003GL	574	PR9061R	6355	PRT-104	123A	PS633	116	PSV123-16	611	PT230C	5688
PN4121	159	PR1004	587	PR9062	6354	PRT104-1	123A	PS634	116	PSV126-14	613	PT-234	121
PN4122	159	PR1004G	574	PR9062R	6355	PRT104-2	123A	PS636	116	PT06	121	PT-235	121
PN4140	123AP	PR1004G	574	PR9063	6354	PRT104-3	123A	PS637	116	PT070	5688	PT-235	121
PN4141	123AP	PR1004GL	574	PR9063R	6355	PRT104-4	123	PS638	116	PT075	5688	PT235A	104
PN4142	159	PR1005	587	PR9064	6354	PS005	116	PS639	116	PT075	5688	PT235A	104
PN4248	159	PR1005G	575	PR9064R	6355	PS08	5514	PS640	116	PT015A	923D	PT236	104
PN4249	159	PR1005GL	575	PR9065	6356	PS010(Diode)	116	PS641	116	PT015AB	5688	PT236	104
PN4250	159	PR1005L	587	PR9065R	6357	PS010(SCR)	5514	PS642	116	PT015B	5688	PT236	104
PN4250A	159	PR1006	587	PR9066	6356	PS015	116	PS643	116	PT015BC	5688	PT236A	104
PN4258	159	PR1006G	575	PR9066R	6357	PS020(Diode)	116	PS644	116	PT015C	5688	PT236A	104
PN4274	123AP	PR1006GL	575	PR9067	6356	PS020(SCR)	5514	PS1510R	571	PT025	5688	PT-236B	121
PN4354	159	PR1007	587	PR9067R	6357	PS025	116	PS1511	140A	PT025A	5688	PT-236C	121
PN4355	159	PR1007G	575	PR9068	6354	PS030(Diode)	116	PS1512	140A	PT025AB	5688	PT240	5688
PN4356	159	PR1007GL	575	PR9068R	6355	PS030(SCR)	5517	PS1513	140A	PT025B	5688	PT240A	5688
PN4391	467	PR1007L	587	PR9069	6354	PS030(SCR)	5517	PS1514	140A	PT025C	5688	PT240AB	5688
PN4393	469	PR1501	588	PR9078	6354	PS-035	116	PS1515	140A	PT025C	5688	PT240C	5688
PN4416	312	PR1502	588	PR9078R	6355	PS035(Diode)	116	PS1516	140A	PT029	188A	PT240C	5688
PN4888	288	PR1503	588	PR9079	6354	PS035(SCR)	5517	PS1517	140A	PT030	5688	PT240C	5688
PN4889	288	PR1504	588	PR9079R	6355	PS040	116	PS2001	3042	PT030A	5688	PT240C	5688
PN4890	288	PR1505	588	PR9080	6354	PS040	116	PS2001B	3042	PT030B	5688	PT242	121
PN4916	188	PR1507	588	PR9080R	6355	PS050	116	PS2002	3041	PT030C	5688	PT-242	121
PN4917	188	PR1508	588	PR9081	6354	PS060	116	PS2003	3042	PT030C	5688	PT255	105
PN5127	123AP	PR3001	588	PR9081R	6355	PS-060	116	PS2003B	3042	PT030C	5688	PT255	121
PN5128	123AP	PR3002	588	PR9082	6358	PS-1	121	PS2006	3092	PT040	5688	PT-255	121
PN5129	123AP	PR3002G	588	PR9082R	6359	PS1	121	PS2008B	3092	PT040A	5688	PT-256	121
PN5130	108	PR3003	588	PR9083	6358	PS18	5514	PS2007B	3087	PT040AB	5688	PT256	121
PN5131	123AP	PR3003G	588	PR9083R	6359	PS28	5514	PS2010	125	PT040B	5688	PT285	121
PN5132	123AP	PR3004	588	PR9084	6358	PS38	5515	PS2010(DIODE)	125	PT040C	5688	PT-285	121
PN5133	123AP	PR3004G	588	PR9084R	6359	PS48	5515	PS2010K	3041	PT040C	5688	PT-285A	121
PN5134	123AP	PR3005	580	PR9085	6358	PS58	5515	PS2010M	3041	PT0-139	102A	PT255A	121
PN5135	123AP	PR3005G	580	PR9085R	6359	PS68	5516	PS2010M	3041	PT0-139	102A	PT255A	121
PN5136	123AP	PR3006	577	PR9086	6358	PS68	5516	PS2010R	571	PT2A	160	PT-301	121
PN5137	123AP	PR3006G	577	PR9086R	6359	PS100R	574	PS2016B	3092	PT2S	160	PT-301A	121
PN5138	159	PR3007	577	PR9087	6354	PS101R	574	PS2018	3096	PT3	116	PT301A	121
PN5140	217	PR3007G	577	PR9088	6358	PS102R	574	PS2021	3041	PT-3	121	PT307	121
PN5142	159	PR3540	156	PR9088R	6359	PS104R	574	PS2207	116	PT-3A	121	PT-307	121
PN5143	159	PR3543	156	PR9089	6354	PS105	116	PS2208	116	PT4	155	PT-307A	121
PN5172	123AP	PR3542	156	PR9089R	6355	PS108R	575	PS2209	116	PT4-2268-016	519	PT307A	121
PN5179	229	PR3543	156	PR9090	6354	PS109	575	PS2210	116	PT4-2268-011	519	PT310A	5688
PN5449	123AP	PR3544	156	PR9090R	6355	PS110(Diode)	116	PS2243	116	PT4-2287-011	177	PT310A	5688
PN5816	123AP	PR5405	156	PR9098	6354	PS110(SCR)	5514	PS2346	156	PT4-2311-011	519	PT310B	5688
PN5885	129P	PR5406	156	PR9098R	6355	PS120	116	PS2347	156	PT4-7158	123A	PT310C	5688
PN5887	129P	PR5407	156	PR9099	6354	PS120(Diode)	116	PS2403-					

To Be Replaced	ECG Replacement	To Be Replaced	ECG Replacement	To Be Replaced	ECG Replacement	To Be Replaced	ECG Replacement	To Be Replaced	ECG Replacement	To Be Replaced	ECG Replacement	To Be Replaced	ECG Replacement
PT430B	5689	PT1941	190	PT9778(STUD)	334	PTC732	804	Q-00959B	128	Q5147	165	Q4022BR	4022B
PT430CB	5689	PT2040A	196A	PT9779A	334	PTC733	791	Q-00959A	128	Q2001L3	5638	Q4035BR	4035B
PT430C	5689	PT2523	1715	PT9780	471	PTC735	801	Q-00984R	159	Q2001L4	5638	Q4038BR	4038B
PT440	5689	PT2524	1718	PT9784(FLANGE)	333	PTC736	796	Q-0115C	128	Q2001L7	5646	Q4040C	5679*
PT440A	5689	PT2525	1718	PT9784A(STUD)	334	PTC737	737S	Q-0-172	128	Q2001M3	5651	Q4040D	56024
PT440AB	5689	PT2525A	198	PT9785	470	PTC740	740A	Q-0172	128	Q2001M4	5651	Q4040D5	56024
PT440E	5689	PT2540	192S	PT9797	335	PTC741	738	Q0415	159	Q2001H52	5642	Q4040J7	56030*
PT440CB	5689	PT2620	188	PT9797A	336	PTC742	804	Q0-413	159			Q4040K7	56030*
PT440C	5889	PT2635	152	PT9803(FLANGE)	333	PTC746H	749	Q-01089	195A	Q2001P	5641	Q4040P	5679
PT489F	3123	PT2660	186	PT9803(STUD)	334	PTC754	1064	Q-01069A	195A	Q2001R3	5651*	Q4040R	56033
PT491F	3123	PT2677C	195A	PT9841(FLANGE)	335	PTC780	1153	Q-01089A	195A	Q2001R4	5651*	Q4041WR	4041
PT501	105	PT2760	123A	PT9841(STUD)	336	PTC852	6006	Q-01089C	2376	Q2001R7	5646	Q4047BR	4047B
PT501A	121	PT2896	123A	PT9870P	471	PTC854	6008	Q-01084R	131	Q2001TL	5641*	Q4048BR	4048B
PT505	116	PT3141	123A	PT9870P	471	PTC866	6010	Q-01115C	107	Q2001F31	5629	Q4070BR	4070B
PT510	116	PT3141A	123A	PT40063	519	PTC872	6036	Q-01169	128	Q2002P31	5651*	Q4079BR	4079B
						PTC874	6036	Q-01169A	128	Q2004F31	5629	Q4436BR	436BR
PT510	116	PT3141B	123A	PT72130	116	PTC876	5636	Q-01169R	128	Q2004F32	5629	Q4502BR	4502B
PT510(TRIAC)	5690	PT3241C	195A	PT72130-1	5604	PTC8920	6046	Q-01169C	128	Q2004F41	5629	Q4508BR	4508B
PT510A	5690	PT3251A	196A	PT72131	5604	PTC921	6046	Q-01184R	196A	Q2004F42	5629	Q4509BR	4509B
PT510B	5690	PT3251B	123A	PTC101	128	PTC940	6130	Q-01289	175	Q2004L3	5638	Q4511BR	4511B
PT510C	5690	PT3251C	123A	PTC101-RT	123A	PTC941	6130	Q-01289B	175	Q2004L4	5645	Q4513BR	4513B
PT510CB	5690	PT3261A	346	PTC103	159	PTC941	6130	Q-01289C	175	Q2004L7	5646	Q4547BR	4547B
PT510C	5690	PT3261B	346	PTC104	124	PTC967C	98	Q-01284R	196A	Q2006A	5679*	Q4566BR	4566B
PT515	5690	PT3261C	348	PTC105	121	PTC9681	98	Q-01369C	1104	Q2006H	5673	Q4568BR	4568B
PT515(RECT)	116	PT3261D	349	PTC106	105	PTC9700	99	Q-01384R	2376	Q2006L3	5645	Q4585BR	4585B
PT515(Semikon)	213	PT3261E	350	PTC107	160	PTC9701	99	Q-01484R	724	Q2006L4	5646	Q5000L1	5620
PT515(T) TRANSISTOR	108	PT3261F	351*	PTC109	102A	PTC9702	99	Q-02115C	123A	Q2008R4	5679*	Q5000L2	5620
PT515A	5690	PT3261G	351*	PTC110	99	PTC9703	99	Q-03115C	123A	Q2008A	5679*	Q5000L3	5646
PT515B	5690	PT3261H	335	PTC111	130	PTC9706	99	Q-04115C	123A	Q2008F	5679*	Q5000L4	5646
PT515C	5690	PT3261J	473	PTC112	175	PTC1009	98	Q-05115C	123A	Q2008L4	5645	Q5006H	5677
PT520	116	PT3598	78	PTC113	218	PTG132	161	Q-06115C	123A	Q2008L4A	5645	Q5006L1	5645
PT525	116	PT3598A	186	PTC114	104	PTN1	1402	Q-07115C	123A	Q2008L5	5645	Q5006L2	5646
PT525(TRIAC)	5690	PT3599	77	PTC115	123A	PTO-6	621	Q-08115C	199	Q2008L7	5646	Q5006F4	5637*
PT525A	5690	PT3599B	77	PTC116	181	PTO139	102A	Q-08115C	199	Q2008R4	5633*	Q5008A	5679*
PT525AB	5690	PT3599C	77	PTC117	154	PU01	188	Q-09115C	123A	Q2010A	5679*	Q5008H	5677
PT525B	5690	PT3599D	76	PTC118	162	PU0A	188	Q-10115C	103A	Q2010H1	5679*	Q5008L4	6620
PT525C	5690	PT3599E	76	PTC119	184	PU0B	188	Q-11115C	103A	Q2010L4	5645	Q5008L5	5645
PT525CB	5690	PT3599F	76	PTC120	131	PU0C22	188	Q-12115C	123A	Q2010L5	5645	Q5008L7	5645
PT525C	5690	PT3599G	76	PTC121	123AP	PU51	189	Q-13115C	123A	Q2010L7	5646	Q5008L8	5646
PT525E	5690	PT3571	189	PTC122	127	PU51A	189	Q-14115C	103A	Q2010R4	5633*	Q5008R4	5637*
PT530	116	PT3571A	77	PTC123	324	PU56	189	Q-15115C	123A	Q2012L5	56019	Q5010A	5679*
PT530(TRIAC)	5690	PT3571B	278	PTC124	228AP	PV05	5312	Q-1	102	Q2012R5	56004	Q5010H	5677
PT530A	100	PT4150A	362	PTC125	194	PV-8	116	Q1	102A	Q2015A	5679*	Q5010L4	5645
PT530A(Triac)	102A	PT4150B	161	PTC126	181	PV8	116	Q1-7C	102A	Q2015G	5688	Q5010L5	5645
PT530AB	5690	PT4186C	364	PTC127	194	PV10	5312	Q1/6S16	107	Q2015H	5673	Q5010L7	5646
PT530B	5690	PT4186A	77	PTC128	181	PV40	5314	Q-1A	100	Q2015R5	56004	Q5010R4	5637*
PT530C	5690	PT4531	362	PTC131	159	PV60	5315	Q1H	116	Q2025C	5679*	Q5010R5	5637
PT530CB	5690	PT4532	4648	PTC132	161	PV80	5316	Q-1N814	519	Q2025D	56022	Q5012R5	56008
PT540	116	PT4534	364	PTC136	123A	PV100	5317	Q-1N4001	961	Q2025G	5688	Q5015A	5679*
PT540(TRIAC)	5690	PT4571	77	PTC151	312	PV1043	519	Q-2	101	Q2025H	5693	Q5015G	5690
PT540A	5690	PT4571A	77	PTC152	312	PW005	5312*	Q-2-7C	102A	Q2025J	56030*	Q5015H	5677
PT540AB	5690	PT4579	76	PTC153	172A	PW01	5312*	Q2/6S15	107	Q2025K6	56030	Q5015L5	56008A
PT540CB	5690	PT4579A	278	PTC170	281	PW02	5313*	Q2N406	102A	Q2025L5	56019	Q5015R5	56008
PT540E	5690	PT4501	76	PTC171	281	PW05	5315*	Q2N426	102A	Q2025L6	56019	Q5020B	56026
PT540E	5690	PT4592A	77	PTC202	116	PW8	5316*	Q2N2613	102A	Q2025P	5679	Q5025G	5690
PT550	116	PT4298	77	PTC203	125	PX4A01	576	Q2N405	103A	Q2025R5	56018	Q5025H	5679
PT550(OPTO)	3036	PT4610	77	PTC204	125	PX4A02	576	Q2N4106	158	Q2025R6	56015	Q5025J6	56031*
PT550F(OPTO)	3036	PT4611	76	PTC205	125	PX4A03	576	Q2N4107	158	Q2025S25	5679	Q5025K6	56031*
PT554	104	PT4612	76	PTC206	109	PX4A04	576	Q-2N5225	123AP	Q2025Z6	5679*	Q5025L5	56017*
PT554	121	PT4617	76	PTC207	109	PX4A05	577	Q-2N5226	159	Q2040C	5679*	Q5025L6	5689
PT555	121	PT4620	316	PTC208	109	PX4A06	577	Q2T222	232	Q2040D	56022	Q5025P	5679
PT555	121	PT4620	316	PTC209	119	PX4A07	577	Q2T2905	2322	Q2040E	56022	Q5025P5	56017
PT555	121	PT4622	316	PTC210	502	PXB90	102	D2T3725	2321	Q2040J7	56030*	Q5025R6	56017
PT555	116	PT4622	316	PTC211	503	PXB103	102A	Q22-10A	140A	Q2040K7	56030*	Q5025S25	5679
PT555	116	PT4623	316	PTC212	502	PXB104	102A	Q-1A	100	Q2040L7	56030*	Q5025T6	5679
PT580	125	PT4629	76	PTC213	505	PXB113	102A	D32	116	Q2040W7	56030*	Q5030	127
PT600	186	PT4640	76	PTC214	135A	PTC101	102	Q3/6S15	123A	Q4000L1	5646	Q5039	103A
PT601	186	PT4690	186	PTC215	135A	PXC101	102	Q-4	102	Q3005L1	5646	Q5040C	5679*
PT610	5690	PT4800	123A	PTC401	169	PXC101A	102A	Q4	102A	Q4001L3	5638	Q5040D	56026
PT610A	5690	PT4816	107	PTC401(Trans)	385*	PXC101AB	102	Q4/6S15	107	Q4001L4	5638	Q5040D5	56026
PT610AB	5690	PT4830	107	PTC402	189	PXC101AB	102A	Q4B	116	Q4001L7	5646	Q5040J7	56031*
PT610B	5690	PT5899	347	PTC402(Trans)	52	PXP3R005	116	Q-5	101	Q4001M	5642	Q5040K7	56031*
PT610CB	5690	PT590	349	PTC403	385	PX210	5168A	Q-6	103	Q4001M3	5642	Q5040P	5679
PT612	128	PT5701	473	PTC404	385	PZ10A	5168A	Q-7	158	Q4001N	5642	Q5040W7	56031*
PT615	5690	PT5741	318	PTC406	178AP	PZ18A	5194A	Q-8	116	Q4001P3	5652*	Q5044	160
PT615A	5690	PT5742	317	PTC407	178AP	PZ22A	5197A	Q6/6S15	107	Q4003L3	5638	Q5045	103A
PT615AB	5690	PT6022/1	169	PTC409	385	PZT18	5194A	Q-7	102A	Q4003L4	5638	Q5051A	5679*
PT615B	5690	PT6022/1	169	PTC410	385*	PZT22	5197A	Q7	158	Q4003P			

To Be Replaced	ECG Replacement	To Be Replaced	ECG Replacement	To Be Replaced	ECG Replacement	To Be Replaced	ECG Replacement	To Be Replaced	ECG Replacement	To Be Replaced	ECG Replacement		
Q5120P	162	Q5541ZM	399	QA0313B	5022A	QC0234	4071B	QP-31	197	QT0268Z	2311#	QT-D0525XDT	198
Q5120Q	162	Q5543A	399	QA-1	160	QC0235	4071B	QP1003	386	QT1306X7A	235	QTD0074XAE	377
Q5120R	162	Q5543A	399	QA-11M	5074A	QC0239	4071B	QP-004001AA	4011B	QT1312XAE	199	QTK003XAE	312
Q5121	159	Q5542	290A	QA-8	125	QC0275(Sanyo)	1845	QP-004065AA	4065B	QT1313XDN	237	QTK0023AAA	312
Q5121Q	159	Q5542	290A	QA-10	125	QC0291	1677	QP-004096AA	4099	QT1314XDN	238	QTK00023AA	312
Q5121R	139	Q5562G	290A	QA-10	125	QC0291(Sanyo)	1677	QP-004518AA	4518B	QT1318XDN	238	QTK0033XAE	312
Q5121F	139	Q5566	85	QA11	121	QC0300(Sanyo)	1773	QP-0PLLO2AN	1167	QT1319XDN	238	QTK0033XAE	312
Q5123E	123A	Q5565(Sanyo)	85	QA-11	129	QC0343	4013B	QP-0PLLO2AQ	1167	QT-A0564XHN	234	QTK0033XBE	312
Q5123F	123A	Q5562Z	10	QA-12	123A	QC0352(Sanyo)	1768	QP-0PPL02AO	1167	QT-A0682XBN	254	QTK0034XAE	459
Q5124	297	Q5597(Sanyo)	89	QA-13	123A	QC0380(Sanyo)	1744	QQ-C61209	1155	QT-A0683XBN	294	QTK0034XBE	459
Q5134Z	175	Q5597Z	89	QA-14	123A	QC0543(Sanyo)	1778	QQC61210	102A	QT-A0719XAN	290A	QTLK010XAAS	451
Q5135	159	Q5609(Sanyo)	376	QA-15	123A	QC0573(Sanyo)	1797	QC-81689	159	QT-A0719XBN	290A	QTL0045XAB	454
Q5135-0	159	Q5609Z(Sanyo)	376	QA-16	123A	QC0690(Sanyo)	1859	QC-8169A	159	QT-A0733XDN	294	QTL000023AA	312
Q5135-QY	159	Q5640Z	373	QA-7	125	QC0717(Sanyo)	1859	QC-DPLLO2AN	1167	QT-A0717XHN	290A	QTL000023AA	312
Q5135-Y	159	Q5649Z	373	QA-18	312	QC0769(Sanyo)	1860	QCM0555BA	1092	QT-A0733XON	294	QTL000023AA	312
Q5135-Y	159	Q5649Z	373	QA-19	123A	QC0846(Sanyo)	1780	QQ-M00566AA	1052	QT-A0733XAN	290A	QTL000023AA	312
Q5136F	198	Q5650	374	QA-20	312	QC0852(Sanyo)	1838	QQ-M01028AA	1226	QT-A0733XBA	294	QTL000023AA	312
Q5137BA	291	Q5650Z	374	QA-21	159	QC-1	308	QQ-M01188AA	1458B	QT-A0733XDA	294	QTL000023AA	312
Q5137CA	291	Q5697	459	QA-21A	159	QC1074(Sanyo)	754	QQ-M07205AT	1155	QT-A0733XDN	294	QV-BD11225A	601
Q5138	198	Q5730D(Sanyo)	31	QA91	109	QC1280(Sanyo)	7009	QCM07205AT	1155	QT-A0733XDN	294	QV-BD11240A	601
Q5138K	198	Q5730E(Sanyo)	31	QA105R	5010A	QD30	345	QQ-M07222BT	1278	QT-A0733XDN	294	QV-BD11240A	601
Q5138L	198	Q5732(Sanyo)	312A	QA105R	5010A	QD-331885X	116	QT-A5675XAE	194	QT-A0733XDN	294	QV-BD11240A	601
Q5138M	198	Q5730Z(Sanyo)	312A	QA105S	5010A	QD-AM205XE	135A	QMA11225AB	1488	QT-A0733XDN	294	QV-BD11240A	601
Q5140	165	Q5783Z	157	QA106S	137A	QD-ARF9ECAA	139A	QMA1137AB	789	QT-A0733XDN	294	QV-BD11240A	601
Q5140Q	165	Q5784	157	QA106SBV	5013A	QD-C0710XBE	123A	QMA1195AB	1484	QT-A0733XDN	294	QV-BD11240A	601
Q5140P	165	Q5784K(Sanyo)	167	QA107R	5014A	QD-C2268BD	614	QMA1197AB	1214	QT-A0733XDN	294	QV-BD11240A	601
Q5140X	165	Q5784M(Sanyo)	157	QA107RA	5014A	QD-C7T1310X	613	QMAN377AN	788	QT-A0733XDN	294	QV-BD11240A	601
Q5140X-O	165	Q5785(Sanyo)	89	QA107RE	5014A	QD-CT1310XO	614	QMAN612AN	1249	QT-A0733XDN	294	QV-BD11240A	601
Q5140ZP	165	Q5793(Sanyo)	382	QA107RFV	5017A	QD-CTT410XO	612	QMAN612AN	1249	QT-A0733XDN	294	QV-BD11240A	601
Q5143O	165	Q5803(Sanyo)	399	QA107RP	5014A	QD-CTT410XO	612	QMB521AX	1166	QT-C0470XAE	123AP	QV-BD11240A	601
Q5140ZXR	165	Q5803(Sanyo)	399	QA108SH	5016A	QD-G1N60PXT	109	QMB521AX	1166	QT-C0732XAT	123A	QV-BD11240A	601
Q5153	199	Q5805	157	QA111H	5074A	QD-G1N60XVT	109	QMA511AY	1165	QT-C0372XAY	123A	QV-BD11240A	601
Q5160-O	198	Q5805R	157	QA111S	5074A	QD-G1N60XVT	109	QMA511BX	1165	QT-C0372XAY	123A	QV-BD11240A	601
Q5160Q	198	Q5829(Sanyo)	230B	QA111SEV	5074A	QD-G1S32XX	109	QMA521AX	1166	QT-C0460CBX	233	QV-BD11240A	601
Q5160Q	198	Q5831(Sanyo)	53	QA112H	5021A	QD-G1S32XX	109	QMC3300AN	1192	QT-C0460CBX	233	QV-BD11240A	601
Q5160H	198	Q7004L	5620	QA112R1	5021A	QD-G1S188XZ	109	QMC3001AT	1192	QT-C0710XAE	85	QV-BD11240A	601
Q5160V	198	Q7008L5	5620	QA112RN-2	5021A	QD-81S953XA	186	QMC3001AT	1192	QT-C0710XBE	85	QV-BD11240A	601
Q5161Z	238	Q7008L5	5620	QA116R	5015A	QD-33P25GAG	156	QC-M2300DT	192B	QT-C0710XBE	85	QV-BD11240A	601
Q5163	375	Q7010L5	5671	QA121R2	5033A	QDSQP25GAG	116	QD-M07205AT	1155	QT-C0710XBE	85	QV-BD11240A	601
Q5163D	375	Q7010F5	56010	QA135R2	5037A	QD-SQP25GAG	116	QQ-PLLO2AO	1167	QT-C0716XAE	123A	QV-BD11240A	601
Q5163E	375	Q7012L5	5671	QA205AB	5012A	QDSQP25GAG	116	QQ-PLLO2AN	1167	QT-C0733XBT	289A	QV-BD11240A	601
Q5175	198	Q7015L5	5671	QA205AB	5012A	QD-SM185X	117	QD-PLLO2AO	1167	QT-C0768XDA	229	QV-BD11240A	601
Q5175C	198	Q7015R5	56010	QA205E	5010A	QD-SN444XZ	519	QQ-PLLO2AO	1167	QT-C0784XBT	229	QV-BD11240A	601
Q5175D	198	Q7025L6	5899	QA205E	5010A	QD-SN5401Z	156	QQ-PLLO2AO	1167	QT-C0784XBT	229	QV-BD11240A	601
Q5175DXV	376	Q7025P6	56018	QA205F	5010A	QD-SRA1ZXD	552	QQ-PLLO2AO	1167	QT-C0784XBT	229	QV-BD11240A	601
Q5179E	198	Q7219(Sanyo)	778A	QA205G	5010A	QD-SS1885XT	116	QQ-PLLO2AO	1167	QT-C0828XAN	199	QV-BD11240A	601
Q5175TM	198	Q7227(Sanyo)	1538	QA205GV3	5010A	QD-SS155XT	177	QQ-PLLO2AO	1167	QT-C0828XAN	199	QV-BD11240A	601
Q5175ZXV	198	Q7227R	1538	QA206A	5012A	QD-SS155XT	177	QQ-PLLO2AO	1167	QT-C0829XON	123A	QV-BD11240A	601
Q5175ZY	198	Q7256	1858	QA206AB	5012A	QD-SS155XT	177	QQ-PLLO2AO	1167	QT-C0829XON	123A	QV-BD11240A	601
Q5178D	198	Q7293(Sanyo)	1858	QA206B	5012A	QD-S3165XT	116	QQ-PLLO2AO	1167	QT-C0829XON	123A	QV-BD11240A	601
Q5178	198	Q7293	1858	QA206CD	5013T1	QD-SS1885XT	116	QQ-PLLO2AO	1167	QT-C0829XON	123A	QV-BD11240A	601
Q5180	199	Q7296	1548	QA206G	5013T1	QD-SS1885XT	116	QQ-PLLO2AO	1167	QT-C0829XON	123A	QV-BD11240A	601
Q5183	85	Q7327A(Sanyo)	4053B	QA206M	5012A	QD-S9A3AMBE	156	QQ-PLLO2AO	1167	QT-C0829XON	123A	QV-BD11240A	601
Q5183(Sanyo)	85	Q7350(Sanyo)	74L586	QA206MV	5012A	QD-SS1885XT	116	QQ-PLLO2AO	1167	QT-C0829XON	123A	QV-BD11240A	601
Q5183C	289A	Q7358(Sanyo)	1746B	QA207D	5015A	QD-SSR3AMBE	125	QRF-2	128	QT-C0839XCA	123A	QV-BD11240A	601
Q5183P	199	Q7372A	4053B	QA207M	5014A	QD-SSR3AMBE	125	QRF-2	128	QT-C0900XB	199	QV-BD11240A	601
Q5183Q	199	Q7383	4013B	QA207M3	5014A	QD-SS5333XA	177	QRF-3	312	QT-C0900XB	199	QV-BD11240A	601
Q5183R	199	Q7402(Sanyo)	74L586	QA207M3	5014A	QD-SS5333XA	177	QRF-3	312	QT-C0900XB	199	QV-BD11240A	601
Q5186(Sanyo)	289	Q7406(Sanyo)	4052B	QA208C	5016A	QD-SV06CXV6	116	QRG-3	312	QT-C0900XA	199	QV-BD11240A	601
Q5189	152	Q7406(Sanyo)	4052B	QA208C	5016A	QD-SV06CXV6	116	QRG-3	312	QT-C0900XA	199	QV-BD11240A	601
Q5202	198	Q7448(Sanyo)	4053B	QA208G	5016A	QD-SV06CXXB	116	QRT105	199	QT-C0900XA	199	QV-BD11240A	601
Q5205	290A	Q7478A(Sanyo)	4066B	QA208GV3	5016A	QD-SV06CXXB	116	QRT106	234	QT-C0900XB	199	QV-BD11240A	601
Q5206	162	Q7652(Sanyo)	4066B	QA209M	5018A	QD-Z5R8EAA	5011A	Q5316	159	QT-C0945AA	85	QV-BD11240A	601
Q5207	238	Q7653A(Sanyo)	4066B	QA209M	5018A	QD-ZBZ162XJ	5075A	Q5815	123A	QT-C0945ABA	199	QV-BD11240A	601
Q5207Z	238	Q7693(Sanyo)	1217	QA209M9	5019A	QD-ZM205XE	139A	Q51018	299B	QT-C0945ABA	85	QV-BD11240A	601
Q5209	284	Q7692(Sanyo)	1576	QA210D	5019T1	QD-ZM205XE	139A	Q51061	152	QT-C0945ABA	199	QV-BD11240A	601
Q5210	284	Q7719(Sanyo)	74L586	QA211S	5021A	QD-ZM205XE	139A	Q51730	318	QT-C0945ABA	199	QV-BD11240A	601
Q5255	290A	Q8004L5	5620	QA211CD	5021A	QD-ZM205XE	139A	Q51226	186A	QT-C0945ABA	85	QV-BD11240A	601
Q8003L4	5620	Q8008L5	5620	QA211N1	5020A	QD-ZM205XE	139A	Q51306	235	QT-C0945ABA	199	QV-BD11240A	601
Q8004L4	5620	Q8010L5	5671	QA212B	5021T1	QD-ZM206CXXB	506	Q51307	236	QT-C0945ABA	85	QV-BD11240A	601
Q8004L7	5646	Q8010R5	56010	QA213A	5022A	QD-ZM2310XE	5096A	Q51359	229	QT-C0945LAN	199	QV-BD11240A	601
Q8006A	5679	Q8012L5	5671	QA213B	5022A	QD-ZM2310XE	5096A	Q51419	152	QT-C0945LAN	199	QV-BD11240A	601
Q8006H	5677	Q8012R5	56010	QA213M2	5022A	QD-ZM240BCE	5072A	Q51449	192S	QT-C0945LAN	199	QV-BD11240A	601
Q8009L4	5645	Q8015L5	5671	QA220AR	5024A	QD-ZM240BCE	5072A	Q51875	228	QT-C1317XAN	128	QV-BD11240A	601
Q8009L7	5620	Q8015R5	56010	QA222	5032A	QD-ZM260KRE	139A	Q51730	318	QT-C1047SAN	229	QV-BD11240A	601
Q8009L8	5645	Q8021L6	56010	QA225	5032A	QD-ZM260KRE	139A	Q51909	228	QT-C1047SAN	229	QV-BD11240A	601
Q8009R5	5637	Q8025R6	56018	QA225ABC	5032A	QD-ZM260KRE	139A	Q51909	228	QT-C1047SAN	229	QV-BD11240A	601
Q8008A	5679	Q8225B	289A	QA225B	5032A	QD-ZRD9EAA	139A	Q51973	315	QT-C1047SAN	229	QV-BD11240A	601
Q8008H	5677	Q8266S	289A	QA225C	5032A	QD-ZRD9EAA	139A	Q52034	282B	QT-C1226XDN	186A	QV-BD11240A	601
Q8008L4	5645	Q8266B	289A	QA228B	5034A								

Table with columns: To Be Replaced, ECG Replacement, To Be Replaced, ECG Replacement, To Be Replaced, ECG Replacement, To Be Replaced, ECG Replacement, To Be Replaced, ECG Replacement, To Be Replaced, ECG Replacement, To Be Replaced, ECG Replacement. Rows list various semiconductor part numbers and their corresponding ECG replacements.

When basing of original part differs from ECG replacement, basing for original part is shown in parentheses () after the part number. For example, the 2S4509A(ECB) is replaced by ECG159 which has "ECB" basing.

To Be Replaced	ECG Replacement	To Be Replaced	ECG Replacement	To Be Replaced	ECG Replacement	To Be Replaced	ECG Replacement	To Be Replaced	ECG Replacement	To Be Replaced	ECG Replacement	To Be Replaced	ECG Replacement
R4215	6155	R7103	142A	R6886	102A	R50345	6357	R3101016	5910	R4051070	6073	R4110540	5995
R4220	6155	R7105	5074A	R6887	109	R50350	6357	R3100012	5971	R4100015	5990	R4110515	5995
R4225	6155	R7124	102A	R6889	123A	R50360	6357	R3100016	5971	R4100018	5990	R4110618	5995
R4230	6155	R7127	102A	R5900	123A	R50370	6359	R3100112	5975	R4100020	5990	R4110620	5995
R4235	6155	R7132	116	R5914	123A	R50380	6359	R3100116	5975	R4100022	5990	R4110622	5995
R4240	6155	R7163	123A	R5915	128	R50390	6359	R3100212	5975	R4100025	5990	R4110625	5995
R4245	6167	R7164	102A	R6016	123A	R50405	6355	R3100216	5997	R4100030	5990	R4110630	5995
R4250	6157	R7165	123A	R6963	123A	R50410	6355	R3100312	5979	R4100040	5990	R4110640	5995
R4260	6157	R7166	102A	R6964	123A	R50415	6355	R3100316	5901	R4100070	6054	R4110715	5999
R4270	6159	R7167	104	R6965	123A	R50420	6355	R3100412	5982	R4100115	5990	R4110718	5999
R4280	6159	R7248	116	R6966	123A	R50425	6355	R3100416	5901	R4100118	5992	R4110720	5999
R4290	6159	R7249	123A	R6967	159	R50430	6355	R3100512	5903	R4100120	5992	R4110722	5999
R4295-1	7578	R7250	121	R6967A	159	R50435	6355	R3100516	5903	R4100122	5992	R4110725	5999
R4295-2(RCA)	7578	R7251	116	R6968	123A	R50440	6355	R3100612	5983	R4100125	5996	R4110730	5999
R4295-2	7578	R7252	123A	R6969	159	R50445	6357	R3100616	5983	R4100130	5996	R4110735	5999
R4295-2(RCA)	OBS-NLA	R7359	123A	R6969A	159	R50450	6357	R3100712	5987	R4100140	5996	R4110740	5999
R4305	6165	R7360	123A	R6970	109	R50460	6357	R3100716	5904	R4100170	6054	R4110812	5999
R4310	6155	R7361	123A	R6971	102A	R50470	6359	R3100812	5987	R4100215	5996	R4110820	5999
R4315	6155	R7362	103A	R5989	124	R50480	6359	R3100816	5909	R4100218	5996	R4110822	5999
R4320	6155	R7363	102A	R6001(HEP)	178MP	R50490	6359	R3100912	5911	R4100220	5996	R4110825	5999
R4325	6155	R7489	102A	R6002(HEP)	178MP	R53110	6363	R3100916	5911	R4100222	5996	R4110830	5999
R4330	6155	R7490	102A	R6003(HEP)	178MP	R53120	6363	R3101012	5981	R4100225	5996	R4110835	5999
R4335	6155	R7491	102A	R6004	123A	R53130	6363	R3101116	5911	R4100230	5996	R4110840	5999
R4340	6155	R7582	123A	R6005	123A	R53130	6363	R3400006	5912	R4100240	5996	R4110915	6003
R4345	6157	R7612	102A	R6006	123A	R53140	6363	R3400106	5912	R4100315	5998	R4110918	6003
R4346	102A	R7613	128	R6025	123A	R62154	108	R3400206	5914	R4100318	5998	R4110920	6003
R4349	102A	R7615	156	R6071	123A	R105064	118	R3400306	5914	R4100320	5998	R4110922	6003
R4350	6157	R7620	104	R6134(HEP)	109	R105330	358	R3400406	5914	R4100322	5998	R4110925	6003
R4360	6157	R7682	116	R1135(HEP)	109	R106379	116	R3400506	5915	R4100325	5998	R4110930	6003
R4370	130	R7743	109	R6361	5079A	R106379	116	R3400606	5917	R4100330	5990	R4110935	6003
R4380	6159	R7886	160	R6362	1718	R109328	116	R3400706	5917	R4100335	5990	R4110940	6003
R4390	6159	R7887	123A	R6383	1718	R109474	113A	R4000022	5541	R4100415	5990	R4111018	6003
R4405	113A	R7888	123A	R6384	123A	R113321	116	R4001610XXWC	6164	R4100418	5990	R4111020	6003
R4437-1	787	R7889	102A	R6385	123A	R113321	116	R4020200	6006	R4100420	5990	R4111022	6003
R4437-1(RCA)	787	R7890	105	R6386	116	R113322	116	R4020204NW	6006	R4100422	5990	R4111025	6003
R4437-2	787	R7891	160	R6387	123A	R113322	116	R4020206	6006	R4100425	5990	R4111030	6003
R4437-2(RCA)	787	R7892	109	R6388	109	R204100	5891	R4020304NW	6006	R4100435	5990	R4111040	6003
R4438-1	788	R7893	109	R6389	109	R304090	5999	R4020120	6008	R4100440	5990	R4111060	6045
R4438-1(RCA)	788	R7894	142A	R6390	158	R304100	6005	R4020120NW	6008	R4100445	5990	R4111070	6073
R4438-2	788	R7953	123A	R6391	158	R304120	6005	R4020130NW	6006	R4100518	5994	R4118070	6069
R4439-1	789	R7954	116	R6392	116	R306100	6073	R4020130NW	6006	R4100620	5992	R4140660	6020
R4439-1(RCA)	789	R7955	123A	R6393	109	R306120	6073	R4020220NW	6006	R4100622	5992	R4140670	6050
R4439-2	789	R8022	160	R6394	109	R303110	6363	R4020230NW	6006	R4100625	5994	R4140680	6022
R4439-2(RCA)	789	R8023	177	R6395	109	R303120	6363	R4020234NW	6006	R4100630	5994	R4140700	6050
R4496	113A	R8024	116	R6396	158	R305100	6359	R4020236NW	6006	R4100640	5994	R4140720	6026
R5020PF	5827	R8061	109	R6397	109	R604110	6363	R4020330NW	6008	R4100650	5994	R4140760	6054
R5048PF	5827	R8061	109	R6061	109	R10254F936	9986	R4020330NW	6008	R4100655	5994	R4140770	6068
R5048	128	R8066	123A	R8066	123A	R10254P945	9945	R4020336NW	6008	R4100660	5994	R4140780	6068
R5050	103A	R8067	123A	R8067	123A	R10254P945B	9945	R4020420	6008	R4100662	5994	R4140800	6068
R5051	102A	R8068	123A	R8068	123A	R10255P946	9948	R4020424NW	6008	R4100665	5994	R4140820	6068
R5052	102A	R8070	123A	R8069	123A	R10255P946B	9948	R4020430NW	6008	R4100670	5994	R4140840	6068
R5053	102A	R8071	123A	R8070	123A	R10256P962	9962	R4020430NW	6008	R4100675	5994	R4140860	6068
R5054	103A	R8116	123A	R8071	123A	R10256P962B	9962	R4020520	6010	R4100680	5994	R4140900	6068
R5055	102A	R8117	123A	R8072	123A	R15003P1	128	R4020520NW	6010	R4100685	5994	R4140920	6068
R5056	103A	R8118	123A	R20190	5933	R20190	5933	R4020530NW	6010	R4100690	5994	R4140940	6044
R5060PF	5829	R8119	123A	R20405	5871	R20405	5871	R4020530NW	6010	R4100695	5994	R4140970	6072
R5060PF	5829	R8120	123A	R20410	5875	R20410	5875	R4020620NW	6010	R4100700	5994	R4141060	6044
R5061	103A	R8121	103A	R20420	5875	R20420	5875	R4020620NW	6010	R4100705	5994	R4141070	6068
R5062	102A	R8122	102A	R20420	5875	R20425	5879	R4020630NW	6010	R4100710	5994	R4141080	6068
R5063	102A	R8123	102A	R20430	5879	R20430	5879	R4020630NW	6010	R4100715	5994	R4141090	6068
R5064	102A	R8124	123A	R20435	5879	R20435	5879	R4020636NW	6007	R4100720	5994	R4141100	6068
R5065	102A	R8125	123A	R20440	5879	R20440	5879	R4020636NW	6007	R4100725	5994	R4141120	6068
R5066	102A	R8126	123A	R20445	5883	R20445	5883	R4020636NW	6007	R4100730	5994	R4141140	6068
R5067	102A	R8127	102A	R20450	5883	R20450	5883	R4020636NW	6007	R4100735	5994	R4141160	6068
R5068	102A	R8128	102A	R20460	5883	R20460	5883	R4020636NW	6007	R4100740	5994	R4141180	6068
R5069	102A	R8129	102A	R20470	5883	R20470	5883	R4020636NW	6007	R4100745	5994	R4141200	6068
R5070	102A	R8130	102A	R20480	5883	R20480	5883	R4020636NW	6007	R4100750	5994	R4141220	6068
R5071	102A	R8131	102A	R20490	5883	R20490	5883	R4020636NW	6007	R4100755	5994	R4141240	6068
R5072	102A	R8132	102A	R20500	5883	R20500	5883	R4020636NW	6007	R4100760	5994	R4141260	6068
R5073	102A	R8133	102A	R20510	5883	R20510	5883	R4020636NW	6007	R4100765	5994	R4141280	6068
R5074	102A	R8134	102A	R20520	5883	R20520	5883	R4020636NW	6007	R4100770	5994	R4141300	6068
R5075	102A	R8135	102A	R20530	5883	R20530	5883	R4020636NW	6007	R4100775	5994	R4141320	6068
R5076	102A	R8136	102A	R20540	5883	R20540	5883	R4020636NW	6007	R4100780	5994	R4141340	6068
R5077	102A	R8137	102A	R20550	5883	R20550	5883	R4020636NW	6007	R4100785	5994	R4141360	6068
R5078	102A	R8138	102A	R20560	5883	R20560	5883	R4020636NW	6007	R4100790	5994	R4141380	6068
R5079	102A	R8139	102A	R20570	5883	R20570	5883	R4020636NW	6007	R4100795	5994	R4141400	6068
R5080	102A	R8140	102A	R20580	5883	R							

Table with 12 columns: To Be Replaced, ECG Replacement, To Be Replaced, ECG Replacement, To Be Replaced, ECG Replacement, To Be Replaced, ECG Replacement, To Be Replaced, ECG Replacement, To Be Replaced, ECG Replacement. Rows list various semiconductor part numbers and their equivalents.

• # . @ * + \$ - See Special Notes on Page 2-2

To Be Replaced	ECG Replacement	To Be Replaced	ECG Replacement	To Be Replaced	ECG Replacement	To Be Replaced	ECG Replacement	To Be Replaced	ECG Replacement	To Be Replaced	ECG Replacement		
RE57	323	RE193	234	RF8_2E	5072A	RFM12N3S	2394♦	RG1127	116	RH-1X0278CEZZ	1570	RH-DX0220CEZZ	116
RE58	324	RE194	235	RF9_2E	5072A	RFM12N4S	2394♦	RGM30A	6206	RH-1X0416CEZZ	1791	RH-DX0225CEZZ	552
RE59	324	RE195	192*	RF33	5072A	RFM12N5S	2376♦	RGM30B	6206	RH-1X0450CEZZ	1735	RH-DX0229CEZZ	586
RE60	287	RE197	193	RF35	336	RFM12N6S	2376♦	RGM30D	6206	RH-1X0487CEZZ	1794	RH-DX0234CEZZ	580
RE61	281	RE198	237*	RF43	333	RFM12N8S	2392♦	RGM30DX	6206	RH-1X0488CEZZ	1217	RH-DX0235CEZZ	552
RE62	234	RE199	222	RF46	338F	RFM12N03-2	2392	RGM30G	6208	RH-1X0489CEZZ	1795	RH-DX0236CEZZ	519
RE63	290A	RE200	503	RF46	336	RFM12N10	2392♦	RGM30GX	6208	RH-1X0600CEZZ	1790	RH-DX0237CEZZ	519
RE64	199	RE201	236	RF105	336	RFM25N05	2392	RGM30J	6210	RH-1X0633CEZZ	7014	RH-DX0238CEZZ	538
RE66	194	RE202	224	RF110	317	RFM25N06	2392	RGM30JX	6210	RH-1X0638CEZZ	960	RH-DX0259CEZZ	5330♦
RE67	199	RE203	302	RF200	161	RFM33100	116	RGP01-08	552	RH-1X1020AFZZ	1155♦	RH-DX0302CEZZ	568
RE68	194	RE204	303	RF34	341	RFM433100	116	RGP01-10	576	RH-1X1090AFZZ	1273	RH-DX0317CEZZ	580*
RE69	160	RE205	196	RF282	342	RFP1N35	2391♦	RGP01-17	558	RH-1X1038AFZZ	1208	RH-DX0382CEZZ	552
RE70	128	RE206	282*	RFP1N03	350F	RFP1N40	2391♦	RGP01-77	558	RH-1X1039AFZZ	1197	RH-DX110CEZZ	116
RE73	171*	RE207	287	RF1200F	558	RFP2N08	2382	RGP01-72	558	RH-1X1053AFZZ	1484	RH-DX202CEZZ	552
RE74	180	RE208	288	RF181F	558	RFP2N10	2382	RGP02-12	558	RH-1X1066AFZZ	1934♦	RH-DX1005AFZZ	116
RE75	186	RE209	295	RF210	309	RFP2N12	2391♦	RGP02-12E	558	RH-1X1077CEZZ	7058	RH-DX11006AFZZ	125
RE76	189	RE210	297	RF2095	341	RFP2N15	2391♦	RGP02-14	558	RH-1X1078CEZZ	7065	RH-DX17502YAZZ	519
RE77	191	RE211	298	RF2081	477	RFP2N18	2391	RGP02-14E	552	RH-1X1121AFZZ	1448	RH-DX1102A	116
RE78	194	RE212	298	RF2123	345	RFP2N20	2391	RGP02-17	558	RH-1X1190CEZZ	7010	RH-DXT106A	156
RE79	195A	RE213	302	RF2133A	348	RFP2N22	2393	RGP03-10	576	RH-1X1705CEZZ	7054	RH-DX0035CEZZ	116
RE79A	195A	RE214	500A	RF2123A(PYE)	345	RFP2P10	2383	RGP10A	587	RH-1X1712CEZZ	7010	RH-DX20099/BEO	544*
RE80	210*	RE215	523/306*	RF2127	352	RFP2P10-2	2383	RGP10B	587	RH-1X1712CEZZ	7010	RH-EE0217CEZZ	5024A
RE81	211	RE216	502	RF2144	320F	RFP4N05	2390♦	RGP10C	587	RH-1Z	552	RH-EX0002AEZZ	5021T1
RE82	219	RE217	504	RF3160	116	RFP4N06	2390♦	RGP10DG1	587	RH-12M	552	RH-EX0010GEZZ	5011A
RE83	226	RE218	540A	RF3160	116	RFP4N35	2391	RGP10J	587	RH-12V	552	RH-EX0011CEZZ	143A
RE83MP	226	RE219	294	RF3472	116	RFP4N40	2391	RGP10GPGK3	552	RH-2D	558	RH-EX0011GEZZ	5024A
RE85	52*	RE220	292	RF4127	359♦	RFP6N45	2385	RGP-10J	587	RH2F	558	RH-EX0012CEZZ	5081A
RE87	110MP	RE221	513*	RF6N50	360	RFP6N50	2385	RGP10J-1	552	RH2FM	558	RH-EX0012CEZZ	5081A
RE88	113A	RE225	518*	RF546A	113A	RFP6N06	2383♦	RGP10J823	552	RH-2FS	558	RH-EX0013CEZZ	5013A
RE88	114	RE243	521	RF546A-1P	113A	RFP6P10	2382♦	RGP10K23	552	RH2FV	558	RH-EX0014TAZZ	5074A
RE89	115	RE300IC	703	RF5465	113A	RFP7N35	2385	RGP10K-Z	552	RH4F	506	RH-EX0015CEZZ	5074A
RE90	125	RE301IC	708	RF5465-1P	113A	RFP7N40	2385	RGP10M	558	RH10FV1	558	RH-EX0017CEZZ	142A
RE91	120	RE302IC	705A	RF5794	114	RFP8N18	2388	RGP10M	558	RH12F	558	RH-EX0019CEZZ	5070A
RE92	150	RE303IC	703*	RF6235-1	115	RFP8N20	2388	RGP15-10	576	RH-13	116	RH-EX0019GEZZ	145A
RE93P	173BP	RE304IC	749	RF6231-1	116	RFP8P08	2383	RGP15A	588	RH120	123A	RH-EX0019TAZZ	5022A
RE94	183A	RE305IC	712	RF6232-1	116	RFP8P10	2383	RGP15B	588	RH-AX0038CEZZ	142A	RH-EX0020CEZZ	5010A
RE95	506A	RE306IC	713	RF6232-1-1	116	RFP8M12	2388	RGP15C	588	RH-DX0001GEZZ	5212	RH-EX0012CEZZ	5016A
RE96	506A	RE307IC	714	RF6232-2	116	RFP8N15	2388	RGP15G	588	RH-DX0001GEZZ	5212	RH-EX0021CEZZ	3098
RE100	5066A	RE308IC	715	RF6232-5	116	RFP12N06BLE	284	RGP15J	588	RH-DX0003BEZZ	116	RH-EX0021TAZZ	5020A
RE101	134A	RE309IC	722	RF2979P	116	RFP12N06	66	RGP15K	588	RH-DX0002TAZZ	116	RH-EX0022CEZZ	5077A
RE102	5067A	RE310IC	747	RF31903P	116	RFP12N10	66	RGP15M-6179	506	RH-DX0004TAZZ	506	RH-EX0022TAZZ	142A
RE103	5068A	RE311IC	708	RF32101-8	116	RFP12N10L	2987	RGP15M	506	RH-DX0008CEZZ	118	RH-DX0008CEZZ	140A
RE104	5069A	RE312IC	733	RF32101-3	116	RFP12N18	2388	RGP20A	588	RH-DX0017CEZZ	506	RH-EX0023TAZZ	5100A
RE105	135A	RE313IC	738	RF32101-9	116	RFP12N20	2388	RGP20B	588	RH-DX0025CEZZ	116	RH-EX0024CEZZ	5013A
RE107	136A	RE314IC	742	RF32101-1	116	RFP15N05	2389♦	RGP20D	588	RH-DX0026AGZZ	116	RH-EX0024CEZZ	5013A
RE108	5070A	RF32102R	707*	RF32102R	116	RFP15N06	2389♦	RGP20E	576	RH-DX0028CEZZ	605A	RH-EX0025TAZZ	5016A
RE109	137A	RF32102R	726	RF32102R	116	RFP15N06L	2984	RGP20GL	576	RH-DX0028CEZZ	506	RH-EX0024TAZZ	135A
RE110	5071A	RF32103-1	743	RF32103-1	118	RFP18N08	2396	RGP20J	577♦	RH-DX0029CEZZ	506	RH-EX0027CEZZ	5078A
RE111	138A	RF32103R	721	RF32103R	118	RFP25N05	2389	RGP20K	571♦	RHDX0033TAZZ	177	RH-EX0033CEZZ	147A
RE112	5072A	RF3212-3	718	RF3212-3	116	RFP25N06	2389	RGP20M	571♦	RH-DX0033TAZZ	519	RH-EX0034CEZZ	5081A
RE113	5073A	RF32426-7	178MP	RF32426-7	116	RFP30N06LE	2985♦	RGP25A	588	RH-DX0036TAZZ	158	RH-EX0036TAZZ	5021A
RE114	139A	RF32645	116	RF32645	116	RFP33118	116	RGP25B	588	RH-DX0038CEZZ	125	RH-EX0037CEZZ	5079A
RE115	140A	RF33426-7	113A	RF33426-7	113A	RFP33118	116	RGP25D	588	RH-DX0039TAZZ	506	RH-EX0038CEZZ	142A
RE116	5074A	RF33550-1	109	RF33550-1	109	RFS61436	580*	RGP25E	576♦	RH-DX0041CEZZ	116	RH-EX0041TAZZ	5014A
RE117	141A	RF34383	116	RF34383	116	RG06500	116	RGP25F	588	RH-DX0042CEZZ	506	RH-EX0042TAZZ	5013A
RE118	142A	RF34383	116	RF34383	116	RG1	116	RGP25K	577♦	RH-DX0043TAZZ	582	RH-EX0043CEZZ	5035A
RE119	143A	RF34661	177	RF34661	177	RG1A	587	RGP25M	577♦	RH-DX0045CEZZ	506	RH-EX0043TAZZ	5011A
RE120	144A	RF50034	109	RF50034	109	RG1B	587	RGP25N	588	RH-DX0045CEZZ	506	RH-DX0045CEZZ	5020A
RE121	145A	RFA70597	116	RFA70597	116	RG1C	588	RGP30B	588	RH-DX0046CEZZ	177	RH-EX0045TAZZ	142A
RE122	5075A	RFA70600	116	RFA70600	116	RG1D	587	RGP30D	588	RH-DX0047GEZZ	585	RH-DX0047TAZZ	5015A
RE123	5076A	RF6C1197	116	RF6C1197	116	RG1E	552	RGP30G	576♦	RH-DX0048CEZZ	519	RH-EX0047CEZZ	142A
RE124	5077A	RF6D406LE	2980	RF6D406LE	2980	RG1J	552	RGP30GJ	580	RH-DX0049CEZZ	519	RH-EX0047GEZZ	5009A
RE125	5078A	RF6T010LE	2980	RF6T010LE	2980	RG1K	558	RGP30H	580	RH-DX0049TAZZ	588	RH-DX0047TAZZ	5019A
RE126	5079A	RF6T010LE	2980	RF6T010LE	2980	RG1M	558	RGP30K	57♦	RH-DX0051CEZZ	506	RH-EX0048CEZZ	5013A
RE127	5080A	RF6T010LE	2980	RF6T010LE	2980	RG2	580	RGP30M	577♦	RH-DX0052CEZZ	116	RH-EX0049TAZZ	5011T1
RE128	5081A	RF6H10N45	2394	RF6H10N45	2394	RG2A	580	RGP30R	588	RH-DX0053GEZZ	519	RH-EX0053CEZZ	5037A
RE129	5082A	RF6H21N25	2394	RF6H21N25	2394	RG2A2	580	RGP30S	581	RH-DX0054CEZZ	519	RH-EX0053CEZZ	5013T1
RE130	147A	RF6H21N40	2394	RF6H21N40	2394	RG2B	580	RGP80D	581	RH-DX0055TAZZ	116	RH-EX0054CEZZ	5097A
RE131	5086A	RF6H25N18	2376	RF6H25N18	2376	RG2C	580	RGP80DR	581	RH-DX0056CEZZ	116	RH-EX0057CEZZ	5090A
RE132	148A	RF6H25N20	2376	RF6H25N20	2376	RG2G	580	RGP90G	581	RH-DX0056TAZZ	506	RH-EX0061CEZZ	142A
RE133	5096A	RF6H30N12	2376	RF6H30N12	2376	RG2J	580	RGP90GR	581	RH-DX0057TAZZ	506	RH-EX0062CEZZ	506
RE134	5172A*	RF6H30N15	2376	RF6H30N15	2376	RG2K	571	RGP80R	596	RH-DX0059TAZZ	116	RH-EX0065CEZZ	5025A
RE135	5173A	RF6H35N08	2375	RF6H35N08	2375	RG2M	571	RQP5005	552	RH-DX0062CEZZ	525	RH-EX0070CEZZ	5024A
RE136	5174A	RF6H35N10	2375	RF6H35N10	2375	RG2V	580	RQP5010	552	RH-DX0063CEZZ	506	RH-EX0071CEZZ	140A
RE137	5175A	RF6H35N12	116	RF6H35N12	116	RG2W	580	RQP5015	552	RH-DX0064CEZZ	116	RH-EX0071CEZZ	5080A
RE138	5176A	RF6J3070A	116	RF6J3070A	116	RG2Z	588	RGP5040	552	RH-DX0065CEZZ	506	RH-EX0073CEZZ	5016A
RE140	5177A	RF6J3070A	116	RF6J3070A	116	RG3	580	RGP5060	552	RH-DX0065CEZZ	506	RH-EX0074CEZZ	5161A
RE141	5178A	RF6J31218	116	RF6J31218	116	RG3A	580	RGP5080	558	RH-DX0066TAZZ	116	RH-EX0076CEZZ	5006A
RE142	5179A	RF6J31218	116	RF6J31218	116	RG3B	580	RGP5100	558	RH-DX0067TAZZ	552	RH-EX0077CEZZ	150A
RE143	5180A	RF6J31362	116	RF6J31362	116	HG3D	580	RH1	552	RH-DX0088TAZZ	116	RH-EX0084TAZZ	5093A
RE144	5181A	RF6J31362	116	RF6J31362	116	RG3G	580	RH1A	552	RH-DX0089TAZZ	116	RH-EX0085CEZZ	5014A
RE145	5182A	RF6J31362	116	RF6J31362	116	RG3G-5007L	580	RH1B	552	RH-DX0072CEZZ	116	RH-EX0088CEZZ	5014A
RE146	5183A	RF6J31362	116	RF6J31362	116	RG3J	580	RH1-1A	552	RH-DX0073CEZZ	552	RH-EX0089CEZZ	5016A
RE1													

Table with 16 columns: To Be Replaced, ECG Replacement, To Be Replaced, ECG Replacement, To Be Replaced, ECG Replacement, To Be Replaced, ECG Replacement, To Be Replaced, ECG Replacement, To Be Replaced, ECG Replacement, To Be Replaced, ECG Replacement, To Be Replaced, ECG Replacement. Contains a dense list of semiconductor part numbers and their equivalents.

When basing of original part differs from ECG replacement, basing for original part is shown in parentheses () after the part number. For example, the 2SA509A(ECB) is replaced by ECG159 which has "ECB" basing.

Table with 12 columns: To Be Replaced, ECG Replacement, To Be Replaced, ECG Replacement, To Be Replaced, ECG Replacement, To Be Replaced, ECG Replacement, To Be Replaced, ECG Replacement, To Be Replaced, ECG Replacement. It lists various semiconductor part numbers and their corresponding ECG replacement parts.

* , # , @ , * , \$, † - See Special Notes on Page 2-2

To Be Replaced	ECG Replacement	To Be Replaced	ECG Replacement	To Be Replaced	ECG Replacement	To Be Replaced	ECG Replacement	To Be Replaced	ECG Replacement	To Be Replaced	ECG Replacement	To Be Replaced	ECG Replacement
RT3071A	159	RT6203	108	RTB0103	5400	RTN0330	54855	RU4ZLF-L1	580	RV1424	116	RVDS0113	614
RT3072	109	RT6204	239	RTB0106	5401	RTN0340	54856	RU30	580	RV1424/EA1424	116	RVDS0113TA	614
RT3085	109	RT6205	102A	RTB0110	5402	RTN0350	54857	RU30A	580	RV1467	108	RVDS05-9N	156
RT3096	102A	RT6206	116	RTB0115	5404	RTN0360	54858	RU302	571	RV1468	108	RVDS05-9N	156
RT3097	102A	RT6207	116	RTB0120	5404	RTN0370	54859	RU302/P22/1B	116	RV1469	108	RVDS05A027FA	25
RT3098	102A	RT6600	108	RTB0125	5405	RTN1102	722	RU-IN	506	RV1470	108	RVDS05A02N	116
RT3099	109	RT6601	107	RTB0130	5405	RTR0302	5511	RUR-810	597	RV1471	123A	RVDSVC21	616
RT3225	108	RT6602	107	RTB0201	5400	RTR0305	5511	RUR-815	597	RV1472	129	RVDSZ6R2BKTA	5013A
RT3226	108	RT6604	102A	RTB0203	5400	RTR0310	5511	RUR-820	597	RV1473	128	RVDDV1150L	601
RT3227	108	RT6605	116	RTB0210	5402	RTR0320	5511	RUR840	598	RV1474	123A	RVDDV1150M	601
RT3228	123A	RT6619	108	RTB0215	5404	RTR0330	5512	RUR850	598	RV1475	102A	RVDDV1210L	605A
RT3229	102A	RT6728	110MP	RTB0220	5404	RTR0340	5512	RUR860	598	RV1476	580A	RVDDV1210M	605A
RT3230	102A	RT6729	116	RTB0225	5405	RTR0350	5513	RUR1510	599	RV1477	116	RVDDV1211	605A
RT3231	102A	RT6731	110MP	RTB0230	5405	RTR0360	5513	RUR1515	599	RV1478	116	RVDDV1212	605A
RT3232	108	RT6732	123A	RTB0301	5400	RTS0202	5514	RUR1520	599	RV2068	293	RVDDV1213	605A
RT3233	109	RT6733	123A	RTB0303	5400	RTS0205	5514	RUR1610CT	6240	RV2069	129	RVDDV1250M	177
RT3336	109	RT6734	102A	RTB0306	5401	RTS0210	5514	RUR1615CT	6240	RV2070	199	RVDDV1251L	601
RT3361	126A	RT6735	102A	RTB0310	5402	RTS0220	5514	RUR1620CT	6240	RV2071	177	RVDDV1252L	605A
RT3362	126A	RT6735(NPN)	130	RTB0315	5404	RTS0230	5515	RUR-D810	6240	RV2072	116	RVDDV1253	QES-NLA
RT3363	102A	RT6735(PNP)	102A	RTB0320	5404	RTS0240	5515	RUR-D815	6240	RV2134	123A	RVDDV1271ME	519
RT3364	102A	RT6735(SiGeon)	159	RTB0325	5405	RTS0250	5516	RUR-D820	6240	RV2213	139A	RVDDV1272LE	519
RT3443	116	RT6736	102A	RTB0330	5405	RTS0260	5516	RUR-D825	6240	RV2219	116	RVDDV1272ME	519
RT3449	102A	RT6737	199	RTB0401	5400	RTS0270	5517	RURD1515	6246	RV2248	599	RVDDV2094	139A
RT3466	160	RT6789	613	RTB0403	5400	RTS0502	5514	RURD1820	6246	RV2249	123A	RVDDV2094	5012A
RT3467	102A	RT6790	613	RTB0406	5401	RTS0510	5514	RURD1850	6247	RV2250	116	RVIBA328MR	1659
RT3468	102A	RT6791	116	RTB0410	5402	RTS0520	5514	RURD1940	6247	RV2280	160	RVIBA328S	1376
RT3469	109	RT6792	123	RTB0415	5404	RTS0530	5515	RURD1950	6247	RV2284	85	RVIH03880A	2061B
RT3474	102A	RT6793	102A	RTB0420	5404	RTS0540	5515	RURD1960	6246	RV2289	116	RVILA3301	1006
RT3475	102A	RT6794	102A	RTB0425	5405	RTS0550	5516	RURD1970	6246	RV2299	116	RVILA3305	1217
RT3476	102A	RT6795	5072A	RTB0430	5405	RTS0560	5516	RURD1980	6246	RV2299	116	RVILA3305	1217
RT3477	102A	RT6796	160	RTB0435	5405	RTS0570	5517	RURD1990	6246	RV2307	116	RVILA3305	1217
RT3478	102A	RT6797	123A	RTB0440	5405	RTS0580	5517	RURD2000	6246	RV2313	116	RVILA3305	1217
RT3479	102A	RT6798	123A	RTB0445	5405	RTS0590	5517	RURD2010	6246	RV2319	116	RVILA3305	1217
RT3480	102A	RT6799	123A	RTB0450	5405	RTS0600	5517	RURD2020	6246	RV2325	116	RVILA3305	1217
RT3481	102A	RT6800	123A	RTB0455	5405	RTS0610	5517	RURD2030	6246	RV2331	116	RVILA3305	1217
RT3482	102A	RT6801	123A	RTB0460	5405	RTS0620	5517	RURD2040	6246	RV2337	116	RVILA3305	1217
RT3483	102A	RT6802	123A	RTB0465	5405	RTS0630	5517	RURD2050	6246	RV2343	116	RVILA3305	1217
RT3484	102A	RT6803	123A	RTB0470	5405	RTS0640	5517	RURD2060	6246	RV2349	116	RVILA3305	1217
RT3485	102A	RT6804	123A	RTB0475	5405	RTS0650	5517	RURD2070	6246	RV2355	116	RVILA3305	1217
RT3486	102A	RT6805	123A	RTB0480	5405	RTS0660	5517	RURD2080	6246	RV2361	116	RVILA3305	1217
RT3487	102A	RT6806	123A	RTB0485	5405	RTS0670	5517	RURD2090	6246	RV2367	116	RVILA3305	1217
RT3488	102A	RT6807	123A	RTB0490	5405	RTS0680	5517	RURD2100	6246	RV2373	116	RVILA3305	1217
RT3489	102A	RT6808	123A	RTB0495	5405	RTS0690	5517	RURD2110	6246	RV2379	116	RVILA3305	1217
RT3490	102A	RT6809	123A	RTB0500	5405	RTS0700	5517	RURD2120	6246	RV2385	116	RVILA3305	1217
RT3491	102A	RT6810	123A	RTB0505	5405	RTS0710	5517	RURD2130	6246	RV2391	116	RVILA3305	1217
RT3492	102A	RT6811	123A	RTB0510	5405	RTS0720	5517	RURD2140	6246	RV2397	116	RVILA3305	1217
RT3493	102A	RT6812	123A	RTB0515	5405	RTS0730	5517	RURD2150	6246	RV2403	116	RVILA3305	1217
RT3494	102A	RT6813	123A	RTB0520	5405	RTS0740	5517	RURD2160	6246	RV2409	116	RVILA3305	1217
RT3495	102A	RT6814	123A	RTB0525	5405	RTS0750	5517	RURD2170	6246	RV2415	116	RVILA3305	1217
RT3496	102A	RT6815	123A	RTB0530	5405	RTS0760	5517	RURD2180	6246	RV2421	116	RVILA3305	1217
RT3497	102A	RT6816	123A	RTB0535	5405	RTS0770	5517	RURD2190	6246	RV2427	116	RVILA3305	1217
RT3498	102A	RT6817	123A	RTB0540	5405	RTS0780	5517	RURD2200	6246	RV2433	116	RVILA3305	1217
RT3499	102A	RT6818	123A	RTB0545	5405	RTS0790	5517	RURD2210	6246	RV2439	116	RVILA3305	1217
RT3500	102A	RT6819	123A	RTB0550	5405	RTS0800	5517	RURD2220	6246	RV2445	116	RVILA3305	1217
RT3501	102A	RT6820	123A	RTB0555	5405	RTS0810	5517	RURD2230	6246	RV2451	116	RVILA3305	1217
RT3502	102A	RT6821	123A	RTB0560	5405	RTS0820	5517	RURD2240	6246	RV2457	116	RVILA3305	1217
RT3503	102A	RT6822	123A	RTB0565	5405	RTS0830	5517	RURD2250	6246	RV2463	116	RVILA3305	1217
RT3504	102A	RT6823	123A	RTB0570	5405	RTS0840	5517	RURD2260	6246	RV2469	116	RVILA3305	1217
RT3505	102A	RT6824	123A	RTB0575	5405	RTS0850	5517	RURD2270	6246	RV2475	116	RVILA3305	1217
RT3506	102A	RT6825	123A	RTB0580	5405	RTS0860	5517	RURD2280	6246	RV2481	116	RVILA3305	1217
RT3507	102A	RT6826	123A	RTB0585	5405	RTS0870	5517	RURD2290	6246	RV2487	116	RVILA3305	1217
RT3508	102A	RT6827	123A	RTB0590	5405	RTS0880	5517	RURD2300	6246	RV2493	116	RVILA3305	1217
RT3509	102A	RT6828	123A	RTB0595	5405	RTS0890	5517	RURD2310	6246	RV2499	116	RVILA3305	1217
RT3510	102A	RT6829	123A	RTB0600	5405	RTS0900	5517	RURD2320	6246	RV2505	116	RVILA3305	1217
RT3511	102A	RT6830	123A	RTB0605	5405	RTS0910	5517	RURD2330	6246	RV2511	116	RVILA3305	1217
RT3512	102A	RT6831	123A	RTB0610	5405	RTS0920	5517	RURD2340	6246	RV2517	116	RVILA3305	1217
RT3513	102A	RT6832	123A	RTB0615	5405	RTS0930	5517	RURD2350	6246	RV2523	116	RVILA3305	1217
RT3514	102A	RT6833	123A	RTB0620	5405	RTS0940	5517	RURD2360	6246	RV2529	116	RVILA3305	1217
RT3515	102A	RT6834	123A	RTB0625	5405	RTS0950	5517	RURD2370	6246	RV2535	116	RVILA3305	1217
RT3516	102A	RT6835	123A	RTB0630	5405	RTS0960	5517	RURD2380	6246	RV2541	116	RVILA3305	1217
RT3517	102A	RT6836	123A	RTB0635	5405	RTS0970	5517	RURD2390	6246	RV2547	116	RVILA3305	1217
RT3518	102A	RT6837	123A	RTB0640	5405	RTS0980	5517	RURD2400	6246	RV2553	116	RVILA3305	1217
RT3519	102A	RT6838	123A	RTB0645	5405	RTS0990	5517	RURD2410	6246	RV2559	116	RVILA3305	1217
RT3520	102A	RT6839	123A	RTB0650	5405	RTS1000	5517	RURD2420	6246	RV2565	116	RVILA3305	1217
RT3521	102A	RT6840	123A	RTB0655	5405	RTS1010	5517	RURD2430	6246	RV2571	116	RVILA3305	1217
RT3522	102A	RT6841	123A	RTB0660	5405	RTS1020	5517	RURD2440	6246	RV2577	116	RVILA3305	1217
RT3523	102A	RT6842	123A	RTB0665	5405	RTS1030	5517	RURD2450	6246	RV2583	116	RVILA3305	1217
RT3524	102A	RT6843	123A	RTB0670	5405	RTS1040	5517	RURD2460	6246	RV2589	116	RVILA3305	1217
RT3525	102A	RT6844	123A	RTB0675	5405	RTS1050	5517	RURD2470	6246	RV2595	116	RVILA3305	1217
RT3526	102A	RT6845	123A	RTB0680	5405	RTS1060	5517	RURD2480	6246	RV2601	116	RVILA3305	1217
RT3527	102A	RT6846	123A	RTB0685	5405	RTS1070	5517	RURD2490	6246	RV2607	116	RVILA3305	1217
RT3528	102A	RT6847	123A	RTB0690	5405	RTS1080	5517	RURD2500	6246	RV2613	116	RVILA3305	1217
RT3529	102A	RT6848	123A	RTB0695	5405	RTS1090	5517	RURD2510	6246	RV2619	116	RVILA3305	1217
RT3530	102A	RT6849	123A	RTB0700	5405	RTS1100	5517	RURD2520	6246	RV2625	116	RVILA3305	1217
RT3531	102A	RT6850	123A	RTB0705	5405	RTS1110	5517	RURD2530	6246	RV2631	116	RVILA3305	1217
RT3532	102A	RT6851	123A	RTB0710	5405	RTS1120	5517	RURD2540	6246	RV2637	116	RVILA3305	1217

Table with 16 columns: To Be Replaced, ECG Replacement, To Be Replaced, ECG Replacement, To Be Replaced, ECG Replacement, To Be Replaced, ECG Replacement, To Be Replaced, ECG Replacement, To Be Replaced, ECG Replacement, To Be Replaced, ECG Replacement, To Be Replaced, ECG Replacement. It lists various semiconductor part numbers and their equivalents.

†, #, @, *, +, §, † - See Special Notes on Page 2-2

Table with 14 columns: To Be Replaced, ECG Replacement, To Be Replaced, ECG Replacement, To Be Replaced, ECG Replacement, To Be Replaced, ECG Replacement, To Be Replaced, ECG Replacement, To Be Replaced, ECG Replacement, To Be Replaced, ECG Replacement. Contains thousands of semiconductor part numbers and their equivalents.

When basing of original part differs from ECG replacement, basing for original part is shown in parentheses () after the part number. For example, the 2SA509A(ECB) is replaced by ECG159 which has "ECB" basing.

Table with 16 columns: To Be Replaced, ECG Replacement, To Be Replaced, ECG Replacement, To Be Replaced, ECG Replacement, To Be Replaced, ECG Replacement, To Be Replaced, ECG Replacement, To Be Replaced, ECG Replacement, To Be Replaced, ECG Replacement, To Be Replaced, ECG Replacement. Rows list various semiconductor part numbers and their equivalents.

♦, R, @, T, +, §, † - See Special Notes on Page 2-2

Main replacement guide table with 4 columns: To Be Replaced, ECG Replacement, To Be Replaced, ECG Replacement. Contains numerous part numbers and their equivalents.

When basing on original part differs from ECG replacement, basing for original part is shown in parentheses () after the part number. For example, the 2SA509A(ECB) is replaced by ECG159 which has "ECB" basing.

Table with 16 columns: To Be Replaced, ECG Replacement, To Be Replaced, ECG Replacement, To Be Replaced, ECG Replacement, To Be Replaced, ECG Replacement, To Be Replaced, ECG Replacement, To Be Replaced, ECG Replacement, To Be Replaced, ECG Replacement, To Be Replaced, ECG Replacement. Contains numerous part numbers and their equivalents.

♦, #, @, *, +, \$, † - See Special Notes on Page 2-2

To Be Replaced	ECG Replacement	To Be Replaced	ECG Replacement	To Be Replaced	ECG Replacement	To Be Replaced	ECG Replacement	To Be Replaced	ECG Replacement	To Be Replaced	ECG Replacement	To Be Replaced	ECG Replacement
SCD11B3	3084	SCL4000AE	4000	SCL4162BE	40162B	SCM78CA	4965	SD1-11	506	SD49	5071A	SD103N06S10WW	6130
SCD25S	3083	SCL4000BE	4000	SCL4163BE	40163B	SCM85	4966	SD1-30DA	506	SD-49	5071A	SD103N08S15PW	4326130
SCD-1062013	3083	SCL4001A	4001B	SCL4163BE	40163B	SCM85A	4966	SD1-211B	506	SD-51	5071A	SD103N08S15PW	4326130
SCL1 T320	1130	SCL4001BE	4001B	SCL4164BE	40164B	SCM90	4967	SD1-211C	506	SD51	5071A	SD103N08S20PW	4326130
SCD T322	125A	SCL4002AE	4002B	SCL4192BE	40192B	SCM90CA	4968	SD1-211C	506	SD51(Motorola)	6094	SD103N08S20PW	4326130
SCL T326	159	SCL4002BE	4002B	SCL4193BE	40193B	SCM90C	4968	SD1A	506	SD-51(TRW)	6094	SD103N08S20PW	4326130
SCL T330	152	SCL4006E	4006B	SCL4193BE	40193B	SCM90C	4968	SD-1A	506	SC53	5071A	SD103N08S20PW	4326130
SCL T334	153	SCL4006ABE	4006B	SCL4193BE	40193B	SCM90CA	4968	SD-14AF	506	SD56	5071A	SD103N08S20PW	4326130
SCL T323	123A	SCL4006BE	4006B	SCL4449UB	4049	SCM100	4970	SD-14HF	507	SD-56	5071A	SD103N08S30PW	4326130
SC1E1	116	SCL4007UBE	4007	SCL4449UBE	4049	SCM100A	4970	SD-16UF	507	SD-60	5071A	SD103N08S30PW	4326130
SC1E2	116	SCL4008	4008B	SCL4508B	4508B	SCM100C	4971	SD-18UF	507	SD-100	5071A	SD103N08S30PW	4326130
SC1E5	116	SCL4008BE	4008B	SCL4508BE	4508B	SCM100CA	4971	SD1B	506	SD80	5071A	SD103N08S50WW	6130
SC1E6	116	SCL4009UBE	4009	SCL4510	4510B	SCM110	4972	SD1C	125	SD-80	5071A	SD103N10S05PW	4326130
SC1E10	125	SCL4010BE	4010B	SCL4510AE	4510B	SCM110A	4972	SD-1C	506	SD82	5071A	SD103N10S05PW	4326130
SCF40501	755	SCL4011AE	4011B	SCL4510BE	4510B	SCM110C	4973	SD-1C-4F	116	SD82A	5071A	SD103N10S05PW	6130
SCL(PHILCO)	230	SCL4011BE	4011B	SCL4511AE	4511B	SCM100CA	4973	SD1CUF	116	SD82A	5071A	SD103N10S05PW	6130
SCL(SCR)	230	SCL4012AE	4012B	SCL4511BE	4511B	SCM120	4974	SD-1C-UF	116	SD82AG	5071A	SD103N10S10PW	4326130
SCL14191005	128	SCL4012BE	4012B	SCL4512AE	4512B	SCM120A	4974	SD1CUF	116	SD-91	5071A	SD103N10S10PW	4326130
SCL1444103053	128	SCL4013AE	4013B	SCL4514AE	4515B	SCM130	4976	SD1DM-4	116	SD91	5071A	SD103N10S10PW	6130
SCL14491007	129	SCL4013BE	4013B	SCL4514BE	4515B	SCM130C	4976	SD1E1A	116	SD91A	5071A	SD103N10S10PW	6130
SCL1444281004	129	SCL4014AE	4014B	SCL4515AE	4515B	SCM130CA	4976	SD1HF	116	SD91A	5071A	SD103N10S15PW	4326130
SCL1710Y00XX	613	SCL4014BE	4014B	SCL4515BE	4515B	SCM150	4980	SD-1K188FM	109	SD91S	5071A	SD103N10S15PW	4326130
SCL1710A10DXX	614	SCL4015AE	4015B	SCL4516AE	4516B	SCM150A	4980	SD-1K	116	SD91S	5071A	SD103N10S15PW	6130
SCL6.5	4904	SCL4015BE	4015B	SCL4516BE	4516B	SCM150C	4981	SD1L	116	SD92	5071A	SD103N10S15PW	6130
SCL6.5A	4904	SCL4016AE	4016B	SCL4516BE	4516B	SCM150CA	4981	SD1LA	116	SD92	5071A	SD103N10S20PW	4326130
SCL6.5C	4905	SCL4017AE	4017B	SCL4518AE	4518B	SCM501	65101	SD-1LA	116	SD92A	5071A	SD103N10S20PW	4326130
SCL6.5CA	4905	SCL4017BE	4017B	SCL4518BE	4518B	SCM510C	65101	SD-1N34A	109	SD92A	5071A	SD103N10S20PW	6130
SCL7.0A	4906	SCL4018AE	4018B	SCL4520AE	4520B	SCM510C-1	65101	SD-1N50	110MP	SD92B	5071A	SD103N10S20PW	6130
SCL7.0C	4907	SCL4018BE	4018B	SCL4522AE	4522B	SCM510C-8	65101	SD-1N60S	109	SD92B	5071A	SD103N10S30PW	4326130
SCL7.0CA	4907	SCL4019AE	4019B	SCL4526AE	4526B	SCM510D	65101	SD-1N80X	110MP	SD93	5071A	SD103N10S50PW	4326130
SCL8.5	4910	SCL4020AE	4020B	SCL4526BE	4526B	SCM510D-1	65101	SD1P80XXXFX	109	SD93A	5071A	SD103N10S50PW	6130
SCL8.5A	4910	SCL4021AE	4021B	SCL4526BE	4526B	SCM510D-3	65101	SD-1S34	177	SD93A	5071A	SD103N12S05PW	4326132
SCL8.5C	4911	SCL4021BE	4021B	SCL4526BE	4526B	SCM510D-8	65101	SD-1S555	109	SD93S	5071A	SD103N12S05PW	6132
SCL6.5CA	4911	SCL4022AE	4022B	SCL4527BE	4527B	SCM510E	65101	SD-1S1625	112	SD-94	5071A	SD103N12S10PW	4326132
SCL10	4914	SCL4022AE	4022B	SCL4528AE	4528B	SCM510E-1	65101	SD-1S2076	519	SD94	5071A	SD103N12S10PW	4326132
SCL10A	4915	SCL4022BE	4022B	SCL4528BE	4528B	SCM510E-3	65101	SD-1S2339	614	SD94A	5071A	SD103N12S10PW	6132
SCL10CA	4915	SCL4023AE	4023B	SCL4532AE	4532B	SCM510E-8	65101	SD-1S2642	506A	SD94B	5071A	SD103N12S10PW	6132
SCL-11Z	5445	SCL4023BE	4023B	SCL4532BE	4532B	SCM90072C	2117	SD-1S5151	112	SD94B	5071A	SD103N12S15PW	4326132
SCL-11Z2B	5448	SCL4024AE	4024B	SCL4532BE	4532B	SCM90072P	2117	SD-1S1558	616	SD94AB	5071A	SD103N12S15PW	4326132
SCL-12	5424	SCL4024BE	4024B	SCL4532BE	4532B	SCMA500	522	SD-1S1589	616	SD94B	5071A	SD103N12S15PW	6132
SCL12C	4921	SCL4025AE	4025B	SCL4533BE	4533B	SCMA600	500A	SD-1S1570	616	SD94S	5071A	SD103N12S15PW	6132
SCL12CA	4921	SCL4025BE	4025B	SCL4533BE	4533B	SCMA800	536A	SD-1S1524	616	SD95	5071A	SD103N12S20PW	4326132
SCL13	4922	SCL4026AE	4026B	SCL4555BE	4555B	SCMA10496	5636	SD-1UF	116	SD95	5071A	SD103N12S20PW	6132
SCL13C	4923	SCL4026BE	4026B	SCL4556BE	4556B	SCMA10496A	5639	SD-1VHF	506	SD-95A	5071A	SD103N12S20PW	6132
SCL13CA	4923	SCL4027AE	4027B	SCL4559BE	4559B	SCM110	511	SD-1X	116	SD95A	5071A	SD103N12S30PW	4326132
SCL13C	4923	SCL4027BE	4027B	SCL4559BE	4559B	SCMW-12	517	SD1X	116	SD96	5071A	SD103N12S30PW	6132
SCL19CA	4923	SCL4028AE	4028B	SCL4584BE	40196B	SCMW-13	517	SD1Y	116	SD96A	5071A	SD103N12S30PW	6132
SCL14	4922	SCL4028BE	4028B	SCL4584BE	40196B	SCORE	116	SD-1Z	116	SD96	5071A	SD103N12S30PW	6132
SCL14A	4922	SCL4029AE	4029B	SCL4585BE	4585B	SCP5E	116	SD1ZHF	116	SD98	5071A	SD103N12S50WW	6132
SCL20	4932	SCL4029BE	4029B	SCL40174AE	40174B	SCP5E	116	SD-2	116	SD98A	5071A	SD103N14S05PW	4326132
SCL20A	4932	SCL4030AE	4030B	SCL40174BE	40174B	SCP-01	2461B	SD2	125	SD98S	5071A	SD103N14S05PW	6132
SCL20C	4933	SCL4030BE	4030B	SCM6.5	4904	SCP-01-B	5481B	SD2A	125	SD100	5071A	SD103N14S10PW	4326132
SCL20CA	4933	SCL4031AE	4031B	SCM6.5	4904	SCP01C	5481B	SD2	116	SD-101	5071A	SD103N14S10PW	4326132
SCL26	4936	SCL4031BE	4031B	SCM8.5A	4904	SCP-02	5493B	SD2B	116	SD101	5071A	SD103N14S10PW	6132
SCL26A	4936	SCL4032AE	4032B	SCM8.5C	4905	SCP-02-C	5493B	SD2C	125	SD102	5071A	SD103N14S10PW	6132
SCL26C	4937	SCL4032BE	4032B	SCM8.5CA	4905	SCP02C	5493	SD-2N5062	5492	SD103	5071A	SD103N14S10PW	4326132
SCL28	4938	SCL4033AE	4033B	SCM7.0A	4906	SCP-03-C	5501	SD3	5071A	SD103B	5071A	SD103N14S15PW	6132
SCL28A	4938	SCL4034	4034B	SCM7.0C	4907	SCP-04	5504	SD4(DUAL)	113A	SD103C	5071A	SD103N14S15PW	6132
SCL28C	4939	SCL4034BE	4034B	SCM7.0CA	4907	SCP04C	5504	SD5	116	SD103N02S05PW	4326130	SD103N14S15PW	6132
SCL28CA	4939	SCL4035AE	4035B	SCM8.5	4910	SCP-04-C	5524	SD-5	177	SD103N2S05PW	4326130	SD103N14S20PW	4326132
SCL30	4940	SCL4035BE	4035B	SCM8.5A	4910	SCR15	5401	SD-5(DUAL)	114	SD103N14S20PW	4326130	SD103N14S20PW	6132
SCL30A	4940	SCL4036AE	4036B	SCM8.5C	4911	SCR55	5481B	SD-6(Philoc)	177	SD103N02S05WW	6130	SD103N14S20PW	6132
SCL30C	4941	SCL4036BE	4036B	SCM8.5CA	4911	SCR102	5502	SD-6	116	SD103N02S10PW	4326130	SD103N14S30PW	4326132
SCL30CA	4941	SCL4037AE	4037B	SCM10	4914	SCR102(Elcom)	5522	SD-6(Dual)	136A	SD103N02S10PW	4326130	SD103N14S30PW	6132
SCL33A	4942	SCL4038AE	4038B	SCM11A	4922	SCR104(ELCOM)	5423B	SD-6AU	125	SD103N02S10WW	6130	SD103N14S50WW	6132
SCL33C	4943	SCL4038BE	4038B	SCM12C	4921	SCR105	5402	SD7	125	SD103R02S15PW	4326130	SD103R02S05PW	4326131
SCL33CA	4943	SCL4039AE	4039B	SCM12CA	4921	SCR109(Elcom)	5402	SD-7(Philoc)	5808	SD103R02S15PW	4326130	SD103R02S05PW	6131
SCL36	4944	SCL4039BE	4039B	SCM12	4920	SCR116	5604	SD8	125	SD103R02S15WW	6130	SD103R02S05WW	6131
SCL36A	4944	SCL4040AE	4040B	SCM13A	4920	SCR116(Elcom)	5482B	SD8-1	5908	SD103R02S20PW	4326130	SD103R02S15PW	4326131
SCL36C	4945	SCL4041AE	4041B	SCM13C	4923	SCR122(Elcom)	5514	SD-8(Rectifier)	5908	SD103R02S20PW	4326130	SD103R02S15PW	4326131
SCL36CA	4945	SCL4041BE	4041B	SCM13CA	4923	SCR200	5404	SD-8(Zener)	5072A	SD103R02S20PW	4326130	SD103R02S15PW	6131
SCL40	4946	SCL4042AE	4042B	SCM14	4922	SCR202	5504	SD-8(Philoc)	139A	SD103R02S20WW	6130	SD103R02S15PW	6131
SCL40A	4946	SCL4042BE	4042B	SCM14A	4923	SCR202(Elcom)	5524	SD-11	597A	SD103R02S20WW	6130	SD103R02S15PW	

Table with 16 columns: To Be Replaced, ECG Replacement, To Be Replaced, ECG Replacement, To Be Replaced, ECG Replacement, To Be Replaced, ECG Replacement, To Be Replaced, ECG Replacement, To Be Replaced, ECG Replacement, To Be Replaced, ECG Replacement, To Be Replaced, ECG Replacement. Rows list various semiconductor part numbers and their ECG equivalents.

* , * , * , * , * , * - See Special Notes on Page 2-2

Table with 12 columns: To Be Replaced, ECG Replacement, To Be Replaced, ECG Replacement, To Be Replaced, ECG Replacement, To Be Replaced, ECG Replacement, To Be Replaced, ECG Replacement, To Be Replaced, ECG Replacement. Contains thousands of part numbers and their equivalents.

When basing of original part differs from ECG replacement, basing for original part is shown in parentheses () after the part number. For example, the 2SA509A(ECB) is replaced by ECG159 which has "ECB" basing.

To Be Replaced	ECG Replacement	To Be Replaced	ECG Replacement	To Be Replaced	ECG Replacement	To Be Replaced	ECG Replacement	To Be Replaced	ECG Replacement	To Be Replaced	ECG Replacement	To Be Replaced	ECG Replacement
SE5-0996	312	SE6001	123A	SF0R1B42(GAK)	5402	SF10J11	5502	SF81	597	SFC450E	7450	SFR251	116
SE5-1069	159	SE6001A	128	SF0R1B42(GAK)	5402	SF10J12	5503	SF82	597	SFC451E	7451	SFR252	116
SE5-1223	159	SE6002	123A	SF0R1D42(GAK)	5404	SF10J13	5509	SF83	597	SFC453E	7453	SFR253	116
SE6 (DUAL)	115	SE6002	161	SF0R1G42(GAK)	5405	SF10J41	5556	SF84	597	SFC454E	7454	SFR254	116
SE6 (DUAL)	115	SE6006	128	SF0R2B41	5402	SF10J41A	5556	SF85	598	SFC460E	7460	SFR255	116
SE619B	156	SE6010	123A	SF0R2B41	5404	SF10J47	5440	SF86	598	SFC472E	7472	SFR256	116
SE619C	156	SE6020	123A	SF0R2B41(GAK)	5402	SF10L11	5531	SF0G21	5591	SFC473E	7473	SFR258	125
SE620A	156	SE6020A	126	SF0R2D41	5402	SF10L12	5531	SF10J21	5591	SFC475E	7474	SFR254	116
SE30B26A	116	SE6021	128	SF0R2D41(GAK)	5404	SF10L13	5531	SF100L21	5592	SFC475E	7475	SFR266	116
SE5-107	159	SE6021A	128	SF0R2D41(GAK)	5404	SF10L12	5531	SF100M21	5592	SFC475E	7475	SFR269	125
SE74L5Z79	74L5279	SE6023	128	SF0R2E41(GAK)	5405	SF11	557	SF481E	5592	SFC481E	7481	SFR301	569
SE74L5Z79N	74L5279N	SE6023	128	SF0R3B42(GAK)	5402	SF11G	557	SF126D	128	SFC486E	7486	SFR302	569
SE303ACK	3017	SE7001	103A	SF0R3D42(GAK)	5404	SF11S	574	SF150G15	5582	SFC492E	7492	SFR303	569
SE303G	108	SE7001	154	SF0R3G42(GAK)	5405	SF11SG	587	SF150J15	5582	SFC1710CP	9100	SFR304	569
SE504	108	SE7002	154	SF0R3J42(GAK)	5405	SF12	587	SF150L13	5584	SFC2046	812	SFR305	569
SE521	108	SE7005	128	SF0R3J42(GAK)	5406	SF12G	587	SF150N13	5584	SFC2208R	931	SFR306	571
SE555V	985M	SE7006	124	SF0R6B43	5402	SF12S	587	SF150Q13	5584	SFC2209R	931	SFR001	569
SE1001	229	SE7010	154	SF0R5D43	5404	SF12SG	587	SF150R13	5585	SFC2301A	1171	SFR002	589
SE1001-1	229	SE7015	154	SF0R5G43	5405	SF13	587	SF161	6240	SFC2305R	1025	SFR003	589
SE1001-2	229	SE7016	154	SF0R5J43	5405	SF13G	587	SF161A	6244	SFC2309R	931	SFR004	589
SE1002	123A	SE7017	154	SF1	506	SF13SG	587	SF161C	6240	SFC2458D	778A	SFT11	574
SE1002	161	SE7020	124	SF1-1	525	SF14	587	SF162	6244	SFC2709C	909	SFT11G	574
SE1002-1	161	SE7030	124	SF1A11	5412	SF14G	587	SF162A	6244	SFC2709E	909D	SFT12	574
SE1002-2	161	SE7050	154	SF1A11A	5412	SF14G	587	SF163	6240	SFC2710C	910	SFT12G	574
SE1010	161	SE7055	154	SF1B11	5413	SF14S	574	SF163A	6244	SFC2711C	911	SFT13	574
SE1010-1	161	SE7056	154	SF1B11A	5413	SF14SG	587	SF163C	6240	SFC2711E	911D	SFT13G	574
SE1010-2	161	SE8001	128	SF1C11	5414	SF15	574	SF164	6240	SFC2741C	941	SFT14	574
SE1019	108	SE8001	128	SF1D11	5414	SF15G	574	SF164A	6244	SFC2741E	941D	SFT15	574
SE1019-1	108	SE8002	128	SF1D11A	5415	SF15SG	574	SF164C	6240	SFC2748C	948	SFT15G	574
SE1019	108	SE8010	128	SF1R3B41	5454	SF16	574	SF165C	6241	SFC2748M	1171	SFT15G	574
SE1044	108	SE8010	128	SF1R3D41	5455	SF16G	574	SF166C	6241	SFC2805EC	960	SFT16	574
SE1044	108	SE8012	128	SF1R3G41	5457	SF16A11	5521	SF250G21	5555	SFC2805EC	309K	SFT16G	574
SE1331	123A	SE8040	123A	SF1R3G41	5457	SF16B11	5522	SF250J21	5555	SFC2806EC	962	SFT104	109
SE1331	123A	SE8041	128	SF2B41	5454	SF16B12	5522	SF250L21	5557	SFC2806EC	964	SFT108	109
SE1419	108	SE8042	128	SF2D41	5455	SF16B13	5522	SF250N21	5557	SFC2812EC	966	SFT120	160
SE1419	108	SE8510	128	SF3A11	5457	SF16B14	5522	SF250Q21	5557	SFC2812EC	966	SFT121	158
SE1790	108	SF3A11	5457	SF3J41	5459	SF16C11	5524	SF250R21	5557	SFC2812EC	966	SFT121	158
SE2001	123A	SF3J41	5459	SF3R5B42	5455	SF16C11	5524	SF250J21	5557	SFC2815EC	1916	SFT123	158
SE2001	161	SE8540	129	SF2R5D42	5457	SF16D12	5524	SF300E27	5590	SFC2818EC	1920	SFT124	158
SE2002	161	SE8541	129	SF2R5G42	5458	SF16D13	5524	SF300D27	5590	SFC2824EC	972	SFT124	158
SE2020	107	SE8542	129	SF3B12	5489	SF16D14	5524	SF300G15	5567	SFC2824PC	1924	SFT125	158
SE2397	107	SE9002	130	SF3B14	5511	SF16E11	5527	SF300G27	5591	SFC3001P	6246#	SFT125P	158
SE2400	160	SE9020	162	SF3B41	5482	SF16F11	5527	SF300J15	5587	SFC3002P	6246#	SFT130	158
SE2401	123A	SE9080	130	SF3B42	5454	SF16F12	5527	SF300J27	5591	SFC3003P	6246#	SFT130	158
SE2402	123A	SE9300	263	SF3B27	5440	SF16F13	5527	SF300L13	5569	SFC3004P	6246#	SFT131	158
SE3001	161	SE9301	263	SF3D12	5483	SF16G11	5527	SF300M13	5569	SFC4041	OB5-NLA	SFT131P	158
SE3001R	108	SE9302	245	SF3D14	5511	SF16G12	5527	SF300Q13	5569	SFC4050	755	SFT131P	158
SE3001R	108	SE9303	245	SF3D14	5511	SF16G12	5527	SF300R13	5568	SFC4052	755	SFT143	158
SE3001R	108	SE9304	245	SF3D41	5463	SF16G13	5527	SF300U13	5586	SFC4107E	74107	SFT144	158
SE3002	108	SE9305	247	SF3D41A	5463	SF16G14	5554	SF301	6246#	SFC4121E	74121	SFT145	158
SE3002	161	SE9400	264	SF3D42	5455	SF16H11	5529	SF301C	6246#	SFC4122E	74122	SFT146	158
SE3003	108	SE9401	264	SF3G12	5487	SF16J11	5529	SF302	6246#	SFC4123E	74123	SFT151	102A
SE3003	108	SE9402	264	SF3G11	5512	SF16J12	5529	SF302C	6246#	SFC4111E	74141	SFT162	102A
SE3005	108	SE9403	246	SF3G41	5465	SF16J13	5529	SF303	6246#	SFC4154E	74154	SFT162	160
SE3005	108	SE9404	248	SF3G42	5457	SF16L12	5531	SF304	6246#	SFC4154E	74156	SFT163	160
SE3005	108	SE9405	248	SF3G42	5457	SF16L13	5531	SF304C	6246#	SFC4180E	74180	SFT163	160
SE3030	162	SE9500	152	SF3GZ47	5440	SF16S	574	SF400L27	5557	SFC4181E	74181	SFT163	160
SE3031	162	SE9501	152	SF3J41	5466	SF16SG	587	SF400N27	5557	SFC4182E	74182	SFT171	160
SE3032	260	SE9561	218	SF3J41A	5466	SF16211	5529	SF400Q27	5557	SFC4192E	74192	SFT172	160
SE3033	130	SE9562	218	SF3J42	5458	SF20-005	588	SF400R27	5557	SFC4193E	74193	SFT172	160
SE3033	130	SE9563	218	SF3JZ47	5440	SF20-01	588	SF400U27	5557	SFC4193E	74193	SFT173	160
SE3034	124	SE40022	121	SF4	125	SF20-02	588	SF500D27	5557	SFC6032	723	SFT173	160
SE3034	124	SE40022	121	SF4C11	125	SF20-03	588	SF500E27	5555	SFC6090	767	SFT173	160
SE3035	130	SE5039	127	SF5	125	SF20-15	588	SF500J27	5555	SFC6051G	767	SFT174	100
SE3036	130	SFC1078	1928	SF5A11	5481	SF21	588	SF500Q27	5555	SFC6055	OB5-NLA	SFT174	160
SE3040	288	SFC1079	1928	SF5B12	5482	SF21G	588	SF7033	230	SFC6057	767	SFT174	160
SE3041	108	SFC1079	1928	SF5B13	5482	SF22	588	SF7038	230	SFC6099	767	SFT184	101
SE3646	123A	SE510	3052	SF5B41	5462	SF22G	588	SF800J25	5598	SFD23	129	SFT184	103A
SE3819	912	SE510	3052	SF5B42	5426	SF23	588	SF800L25	5599	SFD43	177	SFT186	154
SE4001	123A	SE511	3056	SF5B42	5426	SF23G	588	SF800N25	5599	SFD83	177	SFT187	154
SE4001	123A	SEL1120R	3166	SF5B27	5440	SF24	588	SF1001	123A	SFD104	110A	SFT187	1719
SE4002	123A	SEL1320G	3167	SF5D12	5483	SF24G	588	SF1001 (Diode)	587	SFD107	109	SFT190	121
SE4002	123A	SEL1720Y	3168	SF5D41	5463	SF25	576	SF1002	587	SFD112	109	SFT191	121
SE4010	123A	SELEN-26	113A	SF5D41A	5463	SF25G	576	SF1003	587	SFD-182	519	SFT192	121
SE4010	123A	SELEN-26	113A	SF5F12	5485	SF26	576	SF1004	587	SFD182	517	SFT192	121
SE4020	123A	SELEN-35	113A	SF5F12	5485	SF26G	576	SF1601A	6244	SFD225	222	SFT212	127
SE4021	161	SELEN-40	505	SF5F13	5485	SF30-005	588	SF1601C	6240	SFE145	312	SFT213	127
SE4022	161	SELEN-42	120	SF5G12	5485	SF30-01	588	SF1601GC	6244	SFE303	221	SFT213	127
SE4172	123A	SELEN-44	196	SF5G13	5485	SF30-02	588	SF1602A	6244	SFE303-424	222	SFT214	127
SE5007	108	SELEN-48	119	SF5G41	5465	SF30-015	588	SF1602C	6240	SFE425	222	SFT214	127
SE5001	161	SELEN-52	503	SF5G41A	5465	SF30D13	5567	SF1602C	6244	SFE303424	222	SFT221	102
SE5002	108	SELEN-58	502	SF5G42	5426	SF30F13	5568	SF1603A	6244	SFH00-0	3041	SFT221	158
SE5002	161	SELEN-70	118	SF5GZ47	5440	SF30G13	5568	SF1603C	6240	SFH00-1	3041	SFT221A	102A
SE5003	161	SELEN-80	118	SF5J12	5476	SF30J13	5568	SF1604	6244	SFH00-2	3041	SFT221	102
SE5003	161	SELEN-701	118	SF5J13	5478	SF30L13	5568	SF1604A	6244	SFH01-1	3043	SFT222	102
SE5004	161	SELEN-2A1	166	SF5J41	5466	SF30N13	5569	SF1604C	6240	SFH01-2	3043	SFT222A	102A
SE5006	108	SELEN-2A2	167	SF5J41A	5466	SF30Q13	5569	SF1604GC	6244	SFH01-3	3043	SFT223	100
SE5006	123A	SELEN-2A4	168	SF5J42	5438	SF31	588	SF1605GC	6241	SFR3B41	5454	SFT223A	158
SE5006-14	108	SELEN-52	503	SF5JZ47	5440	SF31G	588	SF1606GC	6241	SFR3D41	5455	S	

Table with 12 columns: To Be Replaced, ECC Replacement, To Be Replaced, ECC Replacement, To Be Replaced, ECC Replacement, To Be Replaced, ECC Replacement, To Be Replaced, ECC Replacement, To Be Replaced, ECC Replacement. Contains multiple columns of part numbers and their equivalents.

When basing of original part differs from ECC replacement, basing for original part is shown in parentheses () after the part number. For example, the 2SA509A(EB) is replaced by ECC150 which has "EBC" basing.

Table with 16 columns: To Be Replaced, ECG Replacement, To Be Replaced, ECG Replacement, To Be Replaced, ECG Replacement, To Be Replaced, ECG Replacement, To Be Replaced, ECG Replacement, To Be Replaced, ECG Replacement, To Be Replaced, ECG Replacement, To Be Replaced, ECG Replacement. Rows list various semiconductor components and their equivalent ECG part numbers.

*, #, @, +, \$, † - See Special Notes on Page 2-2

To Be Replaced	ECG Replacement	To Be Replaced	ECG Replacement	To Be Replaced	ECG Replacement	To Be Replaced	ECG Replacement	To Be Replaced	ECG Replacement	To Be Replaced	ECG Replacement	To Be Replaced	ECG Replacement
SK74LS151	74LS151	SK140A	5054A	SK512	5241A	SK914	8226	SK3012	105	SK3131A	369	SK3253	295
SK74LS153	74LS153	SK140V	5099A	SK513	5241AK	SK930	8242	SK3013	121MP	SK3132	333	SK3254	7856
SK74LS155	74LS155	SK140X	5180A	SK514	5242A	SK948	8187	SK3014	121	SK3133	164	SK3255	818
SK74LS157	74LS157	SK141	5187AK	SK515	5242AK	SK958	8181	SK3015	121MP	SK3134	705A	SK3256	152
SK74LS157	74LS157	SK142	5188A	SK516	5243A	SK1320	108	SK3016	116	SK3135	708	SK3256	284
SK74LS161	74LS161A	SK143	5188AK	SK517	5243AK	SK1639	159	SK3017	5809	SK3136	5072A	SK3257	173
SK74LS163	74LS163A	SK144	5189A	SK518	5244A	SK1639D	159	SK3017A	116	SK3137	1922A	SK3258	129
SK74LS164	74LS164	SK145	5189AK	SK519	5244AK	SK1640	159	SK3017B	116	SK3138	193A	SK3259	128
SK74LS168A	74LS168A	SK146	5190A	SK520	5245A	SK1640A	123A	SK3018	316	SK3139	5074A	SK3264	128
SK74LS169A	74LS169A	SK147	5190AK	SK521	5245AK	SK1647	123A	SK3019	316	SK3140	796A	SK3266	324
SK74LS174	74LS174	SK148	5191A	SK522	5246A	SK1700	7168	SK3020	123	SK3141	791	SK3267	323
SK74LS176	74LS176	SK149	5191AK	SK523	5247A	SK1716	7168	SK3021	176	SK3142	5075A	SK3268	84
SK74LS191	74LS191	SK150	5192A	SK524	5247AK	SK1856A	159	SK3022	1188	SK3143	730	SK3269	388
SK74LS193	74LS193	SK150A	5055A	SK525	5247AK	SK1900	6821	SK3023	704	SK3144	723	SK3270	284
SK74LS194	74LS194A	SK150V	5100A	SK526	5248A	SK1901	6800	SK3024	129	SK3144	723	SK3272	152
SK74LS195A	74LS195A	SK150X	5161A	SK527	5248AK	SK1911	2053	SK3025	128	SK3145	5077A	SK3273	241
SK74LS196	74LS196	SK151	5192AK	SK528	5249A	SK1912	2732	SK3027	130	SK3146	787	SK3274	153
SK74LS221	74LS221	SK152	5193A	SK529	5249AK	SK1914	745157	SK3029	130MP	SK3147	780	SK3275	194
SK74LS240	74LS240	SK153	5193AK	SK530	5250A	SK1915	745153	SK3030	116	SK3148	146A	SK3276	7456
SK74LS241	74LS241	SK154	5194A	SK531	5250AK	SK1917	745074	SK3031	116	SK3149	797	SK3277	802
SK74LS242	74LS242	SK155	5194AK	SK532	5251A	SK1918	745074	SK3032	116	SK3150	5084A	SK3278	802
SK74LS243	74LS243	SK156	5195A	SK533	5251AK	SK1919	745251	SK3032	125	SK3151	5081A	SK3279	747
SK74LS244	74LS244	SK157	5195AK	SK534	5252A	SK1920	745251	SK3032A	125	SK3152	10249	SK3280	7508
SK74LS245	74LS245	SK158	5195AK	SK535	5252AK	SK1921	745197	SK3033	125	SK3153	10275	SK3281	1103
SK74LS247	74LS247	SK159	5196AK	SK536	5253A	SK1922	745173	SK3033A	125	SK3154	10283	SK3282	11508
SK74LS248	74LS248	SK160	5197A	SK537	5253AK	SK1923	745158	SK3034	127	SK3155	1025	SK3283	1101
SK74LS249	74LS249	SK160A	5056A	SK538	5254A	SK1924	74LS09	SK3035	127	SK3156	172A	SK3284	10908
SK74LS253	74LS253	SK160V	5101A	SK539	5254AK	SK2000	3000	SK3036	181	SK3157	703	SK3285	11058
SK74LS255	74LS255	SK160X	5162A	SK540	5255A	SK2001	3001	SK3037	181	SK3158	797	SK3286	11318
SK74LS258	74LS258	SK161	5197AK	SK541	5255AK	SK2002	3002	SK3038	123	SK3159	718	SK3287	11328
SK74LS259	74LS259	SK162	5198A	SK542	5256A	SK2003	3003	SK3039	316	SK3160	801	SK3288	1003
SK74LS260	74LS260	SK163	5198AK	SK543	5256AK	SK2004	3004	SK3040	154	SK3161	722	SK3289	11588
SK74LS266	74LS266	SK164	5199A	SK544	5257A	SK2005	3005	SK3041	152	SK3162	725	SK3290	1159
SK74LS273	74LS273	SK165	5199AK	SK545	5257AK	SK2006	3006	SK3042	230	SK3163	738	SK3291	10908
SK74LS279	74LS279	SK166	5200A	SK546	5258A	SK2007	3007	SK3043	215	SK3164	923	SK3292	11488
SK74LS280	74LS280	SK167	5200AK	SK547	5258AK	SK2008	3008	SK3043B	558	SK3165	923D	SK3293	107
SK74LS290	74LS290	SK168	5201A	SK548	5259A	SK2009	3009	SK3044	396	SK3166	943	SK3295	1072
SK74LS293	74LS293	SK169	5201AK	SK549	5259AK	SK2009A	3009	SK3045	738	SK3167	943	SK3296	278
SK74LS298	74LS298	SK170	5202A	SK550	5260A	SK2010	3010	SK3046	123A	SK3168	749	SK3297	280
SK74LS348	74LS348	SK170A	5057A	SK551	5260AK	SK2010A	3010	SK3047	128	SK3169	7815	SK3298	2989
SK74LS352	74LS352	SK170V	5102A	SK552	5261A	SK2011	3011	SK3047A	128	SK3170	731	SK3299	2376
SK74LS353	74LS353	SK170X	5103A	SK553	5261AK	SK2018	3018	SK3048	195A	SK3171	744	SK3300	531
SK74LS364	74LS364	SK171	5202AK	SK554	5262A	SK2019	3019	SK3049	224	SK3172	743	SK3301	532
SK74LS367	74LS367	SK172	5203A	SK555	5262AK	SK2020	3020	SK3050	222	SK3173	219	SK3302	533
SK74LS373	74LS373	SK173	5203AK	SK556	5263A	SK2021	3021	SK3051	156	SK3174	116	SK3303	522
SK74LS377	74LS377	SK174	5204A	SK557	5263AK	SK2022	3022	SK3052	131	SK3175	506	SK3304	500A
SK74LS378	74LS378	SK175	5204AK	SK558	5264A	SK2023	3023	SK3053	131	SK3176	356	SK3305	501
SK74LS379	74LS379	SK176	5205A	SK559	5264AK	SK2024	3024	SK3054	128	SK3176	350	SK3306	523/3306
SK74LS396	74LS396	SK177	5205AK	SK560	5265A	SK2025	3025	SK3055	134A	SK3177	351	SK3307	529
SK74LS393	74LS393	SK178	5206A	SK561	5265AK	SK2026	3026	SK3056	135A	SK3178A	49	SK3308	530
SK74LS398	74LS398	SK179	5206AK	SK562	5266A	SK2027	3027	SK3057	136A	SK3178B	49	SK3309	539
SK74LS399	74LS399	SK180	5207A	SK563	5266AK	SK2031	3031	SK3058	137A	SK3179A	50	SK3310	538
SK74LS490	74LS490	SK180A	5058A	SK564	5267A	SK2032	3032	SK3059	138A	SK3179B	50	SK3311	539
SK74LS424	74LS424	SK180V	5103A	SK565	5267AK	SK2035	3035A	SK3060	139A	SK3180	269	SK3312	540
SK74LS425	74LS425	SK180X	5104A	SK566	5268A	SK2036	3036	SK3061	140	SK3181	269	SK3313	541
SK74LS426	74LS426	SK181	5207AK	SK567	5268AK	SK2041	3041	SK3062	142A	SK3181A	264	SK3314	542
SK74LS627	74LS627	SK182	5208A	SK568	5269A	SK2042	3042	SK3063	145A	SK3182	245	SK3315A	507
SK74LS629	74LS629	SK183	5208AK	SK569	5269AK	SK2043	3043	SK3064	146A	SK3183	245	SK3316A	508
SK74LS641	74LS641	SK184	5209A	SK570	5270A	SK2044	3044	SK3065	147	SK3184	245	SK3317	509
SK74LS642	74LS642	SK185	5209AK	SK571	5270AK	SK2048	3048	SK3066	118	SK3184A	1115	SK3318A	506
SK74LS645	74LS645	SK186	5210A	SK572	5271A	SK2049	3049	SK3067	502	SK3185	984	SK3320	616
SK74LS700	74LS700	SK187	5210AK	SK573	5271AK	SK2052	3052	SK3068	503	SK3186	1174	SK3323	610
SK74LS704	74LS704	SK188	5211A	SK574	5272A	SK2053	3053	SK3069	501B	SK3187	4548	SK3324	611
SK74LS11	74LS11	SK189	5211AK	SK575	5272AK	SK2094	3094	SK3070	711	SK3188	241	SK3325	612
SK74LS20	74LS20	SK190	5212A	SK576	5273A	SK2055	3055	SK3071	727	SK3188A	331	SK3326	613
SK74LS22	74LS22	SK190A	5059A	SK577	5273AK	SK2056	3056	SK3072	712	SK3189	242	SK3327	614
SK74LS74	74LS74	SK190V	5105A	SK578	5274A	SK2057	3057	SK3073	720	SK3189A	340	SK3328	740A
SK74LS86	74LS86	SK191	5165A	SK579	5274AK	SK2058	3058	SK3074	184	SK3190	184	SK3329	740A
SK74LS112	74LS112	SK191	5212AK	SK580	5275A	SK2060	3060	SK3075	714	SK3191	185	SK3329	524V15
SK74LS174	74LS174	SK192	5213A	SK581	5275AK	SK2061	3061	SK3076	715	SK3192	186	SK3330	5068A
SK75A	5046A	SK193	5213AK	SK582	5276A	SK2062	3062	SK3077	713	SK3193	187	SK3331	5067A
SK75V	5093A	SK194	5214A	SK583	5276AK	SK2063	3063	SK3078	789	SK3194	2868	SK3332	5068A
SK79X	5122A	SK195	5214AK	SK584	5277A	SK2064	3064	SK3079	162	SK3195	311	SK3333	5069A
SK82A	5047A	SK196	5215A	SK585	5277AK	SK2065	3065	SK3080	125	SK3197	236	SK3334	5071A
SK82B	150A	SK197	5215AK	SK586	5278A	SK2068	3068	SK3080A	125	SK3198	131	SK3335	5073A
SK82C	150A	SK198	5216A	SK587	5278AK	SK2069	3069	SK3081	126	SK3199	132	SK3336	508A
SK84LS193	74LS193	SK199	5216AK	SK588	5279A	SK2070	3070	SK3082	226	SK3200	189	SK3337	5085A
SK87A	5048A	SK200	5217A	SK589									

Table with 12 columns: To Be Replaced, ECG Replacement, To Be Replaced, ECG Replacement, To Be Replaced, ECG Replacement, To Be Replaced, ECG Replacement, To Be Replaced, ECG Replacement, To Be Replaced, ECG Replacement. Rows list various semiconductor part numbers and their equivalents.

* , # , @ , + , \$, % - See Special Notes on Page 2-2

Table with multiple columns: To Be Replaced, ECG Replacement, To Be Replaced, ECG Replacement, To Be Replaced, ECG Replacement, To Be Replaced, ECG Replacement, To Be Replaced, ECG Replacement, To Be Replaced, ECG Replacement. Contains numerous part numbers and their corresponding ECG replacement values.

When basing of original part differs from ECG replacement, basing for original part is shown in parentheses () after the part number. For example, the 2SA509A(ECB) is replaced by ECG159 which has "ECB" basing.

To Be Replaced	ECG Replacement	To Be Replaced	ECG Replacement	To Be Replaced	ECG Replacement	To Be Replaced	ECG Replacement	To Be Replaced	ECG Replacement	To Be Replaced	ECG Replacement	To Be Replaced	ECG Replacement
SK10035	1750	SK10175	1885	SK10333	3092	SK40160B	40160B	SKKH9004	5721	SKN1708	6069	SKR130/08	4326153
SK10036	1752	SK10176	6013	SK10334	3093	SK40161	40161B	SKKH9006	5721	SKN1708UNF	6069	SKR130/08UNF	4326153
SK10037	1753	SK10177	3099	SK10335	3095	SK40161B	40161B	SKKH9008	5721	SKN100/02	4326155	SKR130/12UNF	4326162
SK10038	1755	SK10178	3098	SK10336	3097	SK40162B	40162B	SKKH180/2	5721	SKN100/02UNF	4326155	SKR130/14UNF	4326162
SK10041	1758	SK10180	15005	SK10337	3096	SK40163B	40163B	SKKT150/4	5710	SKN100/04	4326156	SKR135F08	4326133
SK10042	1760	SK10181	15006	SK10400	5331	SK40174B	40174B	SKKT189/2	5710	SKN100/04UNF	4326155	SKR135F10	4326130
SK10044	1763	SK10182	15011	SK10401	5448	SK40175B	40175B	SKKT190/8	5710	SKN100/08UNF	4326159	SKR135P02	4326108
SK10047	1801	SK10184	15009	SK10402	5460	SK40182B	40182B	SKKT118/12	5710	SKN100/08UNF	4326159	SKR140F12	4326132
SK10048	1906	SK10185	15019	SK10403	3050	SK40192B	40192B	SKKT125/04	5710	SKN100/12UNF	4326163	SKR140F14	4326132
SK10049	1907	SK10186	15020	SK10404	5536	SK40193B	40193B	SKKT25/06	5710	SKN100/14UNF	4326163	SKR17002	6354
SK10050	1908	SK10187	15021	SK10405	5536	SK40194B	40194B	SKKT25/08	5710	SKN130/02	4326153	SKR17002UNF	6354
SK10051	1909	SK10188	15022	SK10406	5536	SK40195B	40195B	SKKT25/12	5710	SKN130/02UNF	4326155	SKR17004	6354
SK10052	1911	SK10189	15023	SK10407	5539	SK40195B	40195B	SKKT40/04	5710	SKN130/04	4326156	SKR17004UNF	6354
SK10053	1920	SK10190	15024	SK10408	5540	SK74107	74107	SKKT40/06	5710	SKN130/04UNF	4326156	SKR17008	6358
SK10054	1933	SK10191	2057	SK10409	5600	SK74109	74109	SKKT40/08	5710	SKN130/08	4326159	SKR17008UNF	6358
SK10055	1924	SK10193	4902	SK10410	5603	SK74116	74116	SKKT40/12	5710	SKN130/08UNF	4326159	SKR20002	6108
SK10056	1925	SK10193	4902	SK10411	5603	SK74111	74111	SKKT55/04	5710	SKN130/12UNF	4326163	SKR240/02UNF	6106
SK10058	1941	SK10195	4918	SK10412	5610	SK74122	74122	SKKT55/06	5710	SKN135F08	4326131	SKR240/12UNF	6106
SK10059	524V42	SK10196	4919	SK10414	5701	SK74123	74123	SKKT55/12	5710	SKN135F10	4326131	SKR240/08	6106
SK10060	524V27	SK10197	4926	SK10415	5705	SK74125	74125	SKKT90/04	5720	SKN135F12	4326133	SKR240/08UNF	6106
SK10061	778SM	SK10198	4927	SK10416	5710	SK74126	74126	SKKT90/06	5720	SKN140/4	6106	SKR240/12	6362
SK10062	832SM	SK10199	4928	SK10417	5720	SK74128	74128	SKKT90/08	5720	SKN140F12	4326133	SKR240/12UNF	6106
SK10063	834SM	SK10200	4929	SK10418	5721	SK74132	74132	SKKT90/12	5720	SKN140F14	4326133	SKR240/14	6362
SK10064	859SM	SK10201	4934	SK10419	5711	SK74141	74141	SKKMV10B	1V010	SKN17002	6355	SKR240/14UNF	6106
SK10065	859SM	SK10202	4935	SK10420	5712	SK74142	74142	SKKMV10C	2V010	SKN17002UNF	6355	SKR240/16	6106
SK10066	863	SK10203	4935	SK10421	5722	SK74143	74143	SKKMV14B	1V014	SKN17004	6355	SKR240/16UNF	6106
SK10069	918SM	SK10205	4938	SK10423	5913	SK74148	74148	SKKMV25B	2V025	SKN17008	6359	SKR240/16UNF	6106
SK10070	922SM	SK10206	4959	SK10423	5913	SK74145	74145	SKKMV15E	1V015	SKN17008UNF	6359	SKR320/02UNF	6106
SK10071	927SM	SK10207	4988	SK10424	5913	SK74147	74147	SKKMV15E	2V015	SKN17008	6359	SKR320/04UNF	6106
SK10072	929S	SK10208	4989	SK10425	5917	SK74150	74150	SKKMV17E	1V017	SKN17008R	6359	SKR320/04UNF	6106
SK10073	928SM	SK10209	6102	SK10426	5920	SK74151	74151	SKKMV17C	2V017	SKN17008UNF	6359	SKR320/08	6106
SK10074	941SM	SK10210	6103	SK10427	5921	SK74153	74153	SKKMV20B	1V020	SKN240/02	6107	SKR320/08UNF	6106
SK10075	943SM	SK10211	6104	SK10428	5924	SK74154	74154	SKKMV20C	2V020	SKN240/02UNF	6107	SKR320/12UNF	6106
SK10076	944	SK10212	6105	SK10429	5926	SK74155	74155	SKMV35A	1V035	SKN240/04	6107	SKR320/14UNF	6106
SK10077	944M	SK10213	6106	SK10430	5928	SK74156	74156	SKMV35B	2V035	SKN240/04UNF	6107	SKR320/14UNF	6106
SK10079	948SM	SK10214	6112	SK10431	5939	SK74157	74157	SKMV30A	1V030	SKN240/08	6107	SKR320/14UNF	6106
SK10080	1709	SK10215	6113	SK10432	5932	SK74158	74158	SKMV30C	2V030	SKN240/08UNF	6107	SKR320/16	6106
SK10081	1569	SK10216	6115	SK10433	5933	SK74160	74160	SKMV32E	1V035	SKN240/12	6363	SKS1/01	125
SK10082	1845	SK10217	6116	SK10434	6220	SK74161	74161	SKMV35C	2V035	SKN240/12UNF	6107	SKS1/04	125
SK10083	1846	SK10219	6162	SK10435	6230	SK74162	74162	SKMV40B	1V040	SKN240/14	6363	SKS1/08	125
SK10084	1847	SK10220	6163	SK10436	6230	SK74164	74164	SKMV40C	2V040	SKN240/14UNF	6107	SKT16/02C	5543
SK10085	1855	SK10221	6160	SK10437	5703	SK74165	74165	SKMV50B	1V050	SKN240/16	6107	SKT16/02UNF	5543
SK10086	1868	SK10222	6160	SK10438	5704	SK74166	74166	SKMV50C	2V050	SKN240/16UNF	6107	SKT16/04C	5545
SK10087	1934X	SK10223	6162	SK10439	6170	SK74170	74170	SKMV50A	1V050	SKN240/16UNF	6107	SKT16/04UNF	5545
SK10088	2331	SK10226	1609	SK10440	3171	SK74173	74173	SKMV60B	2V060	SKN320/02UNF	6107	SKT16/08	5547
SK10089	2341	SK10230	1621	SK10441	3181	SK74174	74174	SKMV75A	1V075	SKN320/04	6107	SKT16/08UNF	5547
SK10090	2342	SK10232	1625	SK10442	3182	SK74175	74175	SKMV75B	2V075	SKN320/04UNF	6107	SKT16/08C	5548
SK10091	2343	SK10233	1631	SK10443	6362	SK74176	74176	SKMV95A	1V095	SKN320/08	6107	SKT16/08UNF	5548
SK10092	2344	SK10234	1634	SK10444	6363	SK74177	74177	SKMV95B	2V095	SKN320/08UNF	6107	SKT16/12UNF	5569
SK10093	2361	SK10239	1641	SK10445	3189	SK74178	74178	SKMV115B	1V115	SKN320/12	6107	SKT16/16UNF	5571
SK10094	2362	SK10241	1670	SK10446	3190	SK74179	74179	SKMV115C	2V115	SKN320/12UNF	6107	SKT24/02C	5543
SK10095	2403	SK10242	1672	SK10447	6200	SK74180	74180	SKMV130H	1V130	SKN320/14	6107	SKT24/02UNF	5543
SK10096	2403	SK10243	1673	SK10448	6200	SK74181	74181	SKMV130H	2V130	SKN320/14UNF	6107	SKT24/04C	5547
SK10097	2408	SK10244	1679	SK10449	955SM	SK74182	74182	SKMV130K	524/13	SKN320/16	6107	SKT24/02UNF	5547
SK10098	2407	SK10246	1681	SK10450	955SM	SK74180	74180	SKMV150H	1V150	SKN320/16UNF	6107	SKT24/04C	5545
SK10099	2408	SK10247	1686	SK10451	995SM	SK74191	74191	SKMV150J	2V150	SKN500/02	6110	SKT24/04UNF	5545
SK10100	2408	SK10252	1682	SK10452	985SM	SK74192	74192	SKMV160K	524/15	SKN500/04	6110	SKT24/04M	5568
SK10101	2410	SK10253	6118	SK10453	978SM	SK74193	74193	SKMV250H	1V250	SKN500/06	6112	SKT24/04UNF	5568
SK10102	2411	SK10254	5329	SK10454	979C	SK74195	74195	SKMV250J	2V250	SKN500/12	6112	SKT24/06C	5547
SK10103	2411	SK10255	5417	SK10455	975SM	SK74196	74196	SKMV250K	524/25	SKN500/12	6112	SKT24/06UNF	5547
SK10104	2404	SK10256	5416	SK10456	6809E	SK74197	74197	SKMV250L	1V275	SKN500/12	6112	SKT24/06M	5548
SK10105	2406	SK10258	6119	SK10457	5106	SK74198	74198	SKMV275B	2V275	SKN500/16	6114	SKT24/08C	5548
SK10106	2412	SK10259	5471S	SK10458	6107	SK74199	74199	SKMV300B	2V300	SKN500/12	6114	SKT24/08UNF	5548
SK10107	2413	SK10260	5472S	SK10459	667A	SK74201	74201	SKMV420	2V420	SKN500/16	6114	SKT24/08UNF	5548
SK10108	2416	SK10261	5473S	SK10460	5669A	SK74202	74202	SKMV480G	2V480	SKN240/16	6107	SKT24/08UNF	5569
SK10109	2417	SK10262	5476	SK10461	468	SK74293	74293	SKMV480H	524/48	SKR2F50/04	6036	SKT24/10M	5569
SK10110	2418	SK10263	5485	SK10462	468	SK74293	74293	SKN1M220/02	6128	SKR2F50/04UNF	6036	SKT24/10UNF	5569
SK10112	2426	SK10264	5487S	SK10463	469	SK74366	74366	SKN1M220/04	6128	SKR2F50/06	6036	SKT24/12CUNF	5569
SK10113	2428	SK10265	5601S	SK10464	486	SK74367	74367	SKN1M220/06	6128	SKR2F50/08UNF	6036	SKT24/12UNF	5569
SK10114	2430	SK10266	5601S	SK10465	5820	SK74368	74368	SKN1M220/10	6128	SKR2F50/10	6047	SKT24/12UNF	5569
SK10115	2431	SK10267	5616	SK10467	5671	SK74390	74390	SKN2F50/04	6037	SKR2F50/08UNF	6047	SKT24/18UNF	5571
SK10116	2431	SK10268	5617	SK10468	5693	SK7444B	7444B	SKN2F50/04UNF	6037	SKR2F50/10	6047	SKT24/02M	5567
SK10117	2437	SK10269	5919	SK10469	7000	SK70380	70380	SKN2F50/06	6037	SKR2F50/10UNF	6048	SKT24/04UNF	5567
SK10118	2437	SK10271	5319	SK10470	7001	SK16510006-2	129	SKN2F50/08UNF	6037	SKR4F20/02	6006	SKT24/04M	5566
SK10119	2438	SK10273	159MCP	SK10471	7002	SK16510006-4	129	SKN2F50/10	6047	SKR4F20/04	6006	SKT24/04UNF	5566
SK10120	2438	SK10274	1542	SK10472	7003	SKA1079	129	SKN2F50/12UNF	6047	SKR4F20/06	6010	SKT24/06CUNF	5571
SK10121	2436	SK10276	1528	SK10473	7004	SKA1080	123A	SKN2F50/10	6047	SKR12/02	5974	SKT24/06M	5568
SK10122	2439	SK10278	2049	SK10474	7005	SKA1117	123A	SKN2F50/10UNF	6047	SKR12/04	5978	SKT24/06UNF	5568
SK10123	2350	SKA10279	2050	SK10475	7006	SKA1279	159	SKN2M400/08	6128	SKR12/08	5866	SKT24/08M	5569
SK10124	2357	SKK											

To Be Replaced	ECG Replacement	To Be Replaced	ECG Replacement	To Be Replaced	ECG Replacement	To Be Replaced	ECG Replacement	To Be Replaced	ECG Replacement	To Be Replaced	ECG Replacement	To Be Replaced	ECG Replacement
SKT130/02C	5580	SL02734	9914	SL16589	9946	SL56927	91108	SL58016	74H51	SLA21C	5800	SLP151B-50	3180
SKT130/02CUNF	5580	SL02739	9914	SL16590	9948	SL56928	91111	SL58017	74H52	SLA22A	5801	SLP151B	3160
SKT130/04C	5582	SL03019	OBS-NLA	SL16591	9662	SL56929	91128	SL58018	74H53	SLA23C	5802	SLP152B	3150
SKT130/04CUNF	5582	SL03021	OBS-NLA	SL16793	7400	SL56930	9930	SL58019	74H54	SLA24B	5802	SLP152B	3150
SKT130/06C	5582	SL03021	OBS-NLA	SL16794	7401	SL56931	9931	SL58020	74H55	SLA25A	5802	SLP152B	3150
SKT130/06CUNF	5582	SL03667	9913	SL16795	7402	SL56932	9932	SL58021	74H56	SLA26A	5802	SLP154B	3163
SKT130/08C	5584	SL03911	9949	SL16796	7404	SL56933	9933	SL58022	74H61	SLA24A	5804	SLP154B	3163
SKT130/08CUNF	5584	SL03912	9961	SL16797	7405	SL56934	9935	SL58023	74H62	SLA24B	5804	SLP154PE	3163
SKT130/10C	5584	SL03913	9963	SL16798	7408	SL56935	9936	SL58024	74H71	SLA24C	5804	SLP155B	3166
SKT130/10CUNF	5584	SL03914	9962	SL16799	7411	SL56936	9937	SL58025	74H72	SLA25A	5804	SLP155B	3166
SKT130/12C	5584	SL03915	9963	SL16800	7420	SL56937	9938	SL58026	74H73	SLA25A	5804	SLP155B	3166
SKT130/12CUNF	5584	SL03916	9963	SL16801	7410	SL56938	9944	SL58027	74H74	SLA25C	5804	SLP155PE	3168
SKT130/18CUNF	5588	SL03917	9951	SL16802	7430	SL56939	9945	SL58028	74H76	SLA26A	5806	SLP172B	3153
SKT160/02C	5580	SL04194	99105	SL16803	7440	SL56940	9946	SL58029	74H78	SLA26B	5806	SLP172PE	3153
SKT160/02CUNF	5580	SL04217	9900	SL16804	7450	SL56941	9948	SL58030	74H103	SLA26C	5806	SLP251B	3161
SKT160/04C	5582	SL04218	9914	SL16805	7450	SL56942	9948	SL58031	74H106	SLA27A	5806	SLP-251B	3161
SKT160/04CUNF	5582	SL04563	9930	SL16806	7473	SL56943	9951	SL58032	74H108	SLA27B	5806	SLP251PE	3161
SKT160/06C	5582	SL04567	9936	SL16807	7474	SL56944	9951	SL58033	74H109	SLA27C	5806	SLP252B	3151
SKT160/06CUNF	5582	SL04568	9932	SL16808	7476	SL56945	9951	SL58034	74S00	SLA28A	5808	SLP-252B	3151
SKT160/08C	5584	SL04570	9951	SL16809	7429	SL56946	9962	SL58035	74S01	SLA28B	5808	SLP252B	3151
SKT160/08CUNF	5584	SL04732	9914	SL16810	7436	SL56947	9963	SL58036	74S04	SLA29A	5808	SLP254B	3164
SKT160/10C	5584	SL07040	909	SL16811	9944	SL56948	9963	SL58037	74S05	SLA29B	5809	SLP254PE	3164
SKT160/10CUNF	5584	SL07055	909	SL17242	7473	SL56949	9963	SL58038	74S11	SLA29B	5809	SLP255B	3167
SKT160/12C	5584	SL07055	OBS-NLA	SL17242	9932	SL56950	9803	SL58039	74S15	SLA29C	5809	SLP255B	3167
SKT160/12CUNF	5584	SL07882	7169	SL17289	9936	SL56951	9803	SL58040	74S20	SLA300	5314	SLP256PE	3167
SKT160/18CUNF	5588	SL07884	910	SL17893	7408	SL56952	9604	SL58041	74S22	SLA300	5314	SLP272B	3154
SKT215/02C	5587	SL08058	703	SL17894	7411	SL56953	9093	SL58042	74S22	SLA400	5314	SLP272PE	3154
SKT215/02CUNF	5587	SL08065	909	SL17895	7411	SL56954	9093	SL58043	74S22	SLA400	5314	SLP461B	3162
SKT215/04C	5587	SL08065	909	SL18386	7433	SL56955	9094	SL58044	74S24	SLA440	116	SLP461B	3162
SKT215/04CUNF	5587	SL08797	9410	SL18387	7417	SL56956	9094	SL58045	74S24	SLA440B	116	SLP462B	3162
SKT215/06C	5587	SL-2	116	SL18388	9911	SL56957	9135	SL58046	74S12	SLA441	116	SLP462B	3162
SKT215/06CUNF	5587	SL-3	116	SL20575	703	SL56958	9135	SL58047	74S113	SLA441B	116	SLP462PE	3162
SKT215/08C	5589	SL3	5878	SL20721	705A	SL56959	9157	SL58048	74S113	SLA442	116	SLP454B	3165
SKT215/08CUNF	5589	SL4	116	SL20755	713	SL56960	9158	SL58049	74S114	SLA442B	116	SLP454PE	3165
SKT215/10C	5589	SL5	116	SL20783	923	SL56961	OBS-NLA	SL58050	74S133	SLA443	116	SLP455B	3168
SKT215/10CUNF	5589	SL6	116	SL20927	909	SL56962	7400	SL58051	74S134	SLA443B	116	SLP455PE	3168
SKT215/12C	5589	SL7	5802	SL20929	941	SL56963	7401	SL58052	74S140	SLA472B	116	SLP455PE	3168
SKT215/12CUNF	5589	SL8	5870	SL21017	715	SL56964	7402	SL58053	74S153	SLA472C	116	SLP455PE	3168
SKT230/02C	5590	SL9	116	SL21122	714	SL56965	7403	SL58054	74S157	SLA444A	116	SLP2020P	6090
SKT230/04C	5591	SL9	116	SL21184	715	SL56966	7404	SL58055	74S158	SLA444B	116	SLP2020P	6090
SKT230/06C	5591	SL9	116	SL21385	923D	SL56967	7405	SL58056	74S175	SLA444C	116	SLP2030P	6090
SKT230/06CUNF	5591	SL93	116	SL21436	910	SL56968	7406	SL58057	74S194	SLA444D	116	SLP2030P	6090
SKT230/08C	5592	SL100	108	SL21441	707	SL56969	7407	SL58058	74S258	SLA539	116	SLP2040P	6090
SKT230/10C	5592	SL100	108	SL21577	915	SL56970	7408	SL58059	74S258	SLA537	116	SLP2045P	6090
SKT230/12C	5592	SL103	116	SL21584	949	SL56971	7411	SL58060	74S258	SLA538	116	SLP3020P	6090
SKT240/04	5591	SL103	116	SL21619	929	SL56972	7412	SL58061	74S258	SLA539	116	SLP3020P	6090
SKT240/04D	5591	SL200	106	SL21654	712	SL56973	7413	SL58062	74S258	SLA540	116	SLP3035P	6090
SKT240/04DUNF	5591	SL201	106	SL21654	941	SL56974	7413	SL58063	74S258	SLA541	116	SLP3035P	6090
SKT240/06D	5592	SL300	123A	SL21823	910	SL56975	7416	SL58064	74S258	SLA542	125	SLP3045P	6090
SKT240/12	5592	SL301C	129	SL21829	911	SL56976	7420	SL58065	74S258	SLA561	125	SLP-304R	3002
SKT240/12D	5592	SL301CE	129	SL21834	722	SL56977	7420	SL58066	74S258	SLA561A	125	SLP-304H	3002
SKT240/12E	5592	SL301E	129	SL21835	923	SL56978	7420	SL58067	74S258	SLA562	116	SLP40VR	3008
SKT240/14E	5592	SL490	175E	SL21885	923	SL56979	7420	SL58068	74S258	SLA600	116	SLP40VR	3008
SKT240/16E	5592	SL500	5882	SL21895	703	SL56980	7426	SL58069	74S258	SLA600A	116	SLP40VR	3008
SKT260/06C	5597	SL800	5882	SL21923	909	SL56981	7427	SL58070	74S258	SLA601	116	SM0020402	85
SKT250/02CUNF	5597	SL800	5882	SL22044	911	SL56982	7430	SL58071	74S258	SLA601A	116	SM02CK1070	6110
SKT250/04C	5597	SL608(Diode)	125	SL22108	725	SL56983	7432	SL58072	74S258	SLA602	116	SM02CK1070	6110
SKT250/04CUNF	5597	SL610	125	SL22109	712	SL56984	7437	SL58073	74S258	SLA602A	116	SM02PCN013	5818
SKT250/06C	5597	SL708	125	SL22110	714	SL56985	7438	SL58074	74S138	SLA602B	116	SM02PCN046	6036
SKT250/06CUNF	5597	SL710	125	SL22111	715	SL56986	7439	SL58075	74S138	SLA603	116	SM02PCN070-1	6036
SKT250/08C	5599	SL800X	5886	SL22211	725	SL56987	7439	SL58076	74S138	SLA603A	116	SM02PCN070-2	6036
SKT250/08CUNF	5599	SL833	116	SL22273	912	SL56988	7441	SL58077	74S181	SLA604	116	SM02PCN074	6036
SKT250/10C	5599	SL833	116	SL22310	923D	SL56989	7442	SL58078	74S251	SLA604A	116	SM02PCN076	6036
SKT250/10CUNF	5599	SL833A	116	SL22348	925	SL56990	7443	SL58079	4001B	SLA605	116	SM02PCR013	5819
SKT250/12C	5599	SL833A	116	SL22623	912	SL56991	7444	SL58080	4002B	SLA605A	116	SM02PCR046	6037
SKT250/12CUNF	5599	SL1000	5890	SL22745	941M	SL56992	7445	SL58081	4011B	SLA606	116	SM02PCR070-1	6037
SKT250/04C	5597	SL1000X	5890	SL22756	718	SL56993	7446	SL58082	4012B	SLA606A	116	SM02PCR070-2	6037
SKT250/06C	5597	SL1628(DIGITAL)	74161	SL22757	722	SL56994	7447	SL58083	4013B	SLA700	5319	SM02PCR074	6037
SKT300/04C	5587	SL3045DP	912	SL22758	718	SL56995	7450	SL58084	4014B	SLA800	5319	SM02PCR076	6037
SKT300/04CUNF	5587	SL3046DG	912	SL22835	923D	SL56996	7452	SL58085	4015B	SLA800A	5319	SM02PCR078	6037
SKT300/06C	5587	SL3046DP	912	SL23059	941M	SL56997	7453	SL58086	4016B	SLA1000	5317	SM04PHR170	6355
SKT300/06CUNF	5587	SL3061	916	SL23109	941	SL56998	7454	SL58087	4017B	SLA1095	116	SM04PC170	6110
SKT300/08C	5589	SL3081D	916	SL23111	941M	SL56999	7460	SL58088	4019B	SLA1096	116	SM04PCN013	5820
SKT300/08CUNF	5589	SL3081DP	916	SL23112	722	SL57000	7470	SL58089	4020B	SLA1100	116	SM04PCN046	60

Table with 12 columns: To Be Replaced, ECG Replacement, To Be Replaced, ECG Replacement, To Be Replaced, ECG Replacement, To Be Replaced, ECG Replacement, To Be Replaced, ECG Replacement, To Be Replaced, ECG Replacement. Rows list various semiconductor part numbers and their equivalents.

* , # , @ , + , \$, T - See Special Notes on Page 2-2

Table with 12 columns: To Be Replaced, ECG Replacement, To Be Replaced, ECG Replacement, To Be Replaced, ECG Replacement, To Be Replaced, ECG Replacement, To Be Replaced, ECG Replacement, To Be Replaced, ECG Replacement. Rows list various semiconductor part numbers and their corresponding ECG replacements.

When basing of original part differs from ECG replacement, basing for original part is shown in parentheses () after the part number. For example, the 2SA509A(ECB) is replaced by ECG159 which has "ECB" basing.

Table with 12 columns: To Be Replaced, ECG Replacement, To Be Replaced, ECG Replacement, To Be Replaced, ECG Replacement, To Be Replaced, ECG Replacement, To Be Replaced, ECG Replacement, To Be Replaced, ECG Replacement. Rows list various semiconductor part numbers and their equivalents.

*. #. @. +. \$. 1 - See Special Notes on Page 2-2

To Be Replaced	ECG Replacement	To Be Replaced	ECG Replacement	To Be Replaced	ECG Replacement	To Be Replaced	ECG Replacement	To Be Replaced	ECG Replacement	To Be Replaced	ECG Replacement	To Be Replaced	ECG Replacement	To Be Replaced	ECG Replacement
SP2692	213	SP5636	128	SP3990	159	SP3438	159	SPT025C	5681	SPT425A	5685	SP4464A	612		
SP2702	218	SP5637	129	SP3990A	159	SP3438A	159	SPT030	5693	SPT425AB	5685	SP4468A	613		
SP2708	178	SP5667	229	SP3999	123A	SP3439	159	SPT030A	5693	SPT425B	5685	SP4470A	614		
SP2805QDB	3232	SP5705	159	SP4003	123A	SP3444	159	SPT030AB	5693	SPT425C	5685	SPD-2170	123		
SP3095	330	SP5705	159	SP4003	123A	SP3435	159	SPT030C	5693	SPT425C	5685	SPF-004	123A		
SP3103	330	SP5720	5531	SP4004	123A	SP4366	123A	SPT030C	5693	SPT430	5695	SR000A	1789		
SP3152	27	SP5771	28A	SP4005	108	SP4367	123A	SPT040	5693	SPT430A	5695	SPR-05K-2	116		
SP3152X	27	SP5817	123A	SP4006	123A	SP4368	123A	SPT040	5693	SPT430AB	5695	SPR05K-2	116		
SP3251ACQB	2322	SP5817N	123A	SP4007	159	SP4360	123A	SPT040A	5693	SPT430B	5695	SR1	102A		
SP3253QDB	2322	SP5820	5531	SP4007A	159	SP4361	126	SPT040AB	5693	SPT430C	5695	SR1-1	116		
SP4040	1614B	SP5837	189	SP4008	108	SP4363	123A	SPT040C	5693	SPT440	5695	SR1A-1	116		
SP4040DP	1614B	SP5855	107	SP4010	123A	SP4365A	159	SPT040C	5693	SPT440A	5695	SR1A-2	116		
SP4168	108	SP5856	107	SP4010	123A	SP4365B	159	SPT040C	5693	SPT440B	5695	SR1A-3	116		
SP4231	130	SP5860	107	SP4013	159	SP4367	123A	SPT116	5673	SPT440C	5695	SR1A-4	116		
SP4436	161	SP5860	107	SP4013A	159	SP4368	123A	SPT118	5673	SPT440C	5695				
SP8139B	2305	SP5868	123A	SP4014	159	SP4382	123A	SPT26	5673	SPT440C	5695				
SP8400	154	SP5871	126A	SP4014A	159	SP4399	108	SPT28	5673	SPT440C	5695				
SP8401	154	SP5871	126A	SP4016	108	SP4423	108	SPT36	5675	SPT440C	5695				
SP8402	1928	SP5871	126A	SP4017	108	SP4446	123A	SPT39	5676	SPT440C	5695				
SP8418	152	SP5871	126A	SP4018	159	SP4445	123A	SPT46	5675	SPT440C	5695				
SP8560	182	SP5871	126A	SP4018A	159	SP4450	159	SPT48	5676	SPT440C	5695				
SP8915	184	SP5871	126A	SP4019	159	SP4452	150	SPT58	5677	SPT440C	5695				
SP12271	106	SP5871	126A	SP4019A	159	SP4452A	159	SPT58	5677	SPT440C	5695				
SPC40	123A	SP5871	126A	SP4020	123A	SP4453	123A	SPT66	5677	SPT440C	5695				
SPC42	123A	SP5871	126A	SP4025	159	SP4455	123A	SPT68	5677	SPT440C	5695				
SPC50	123A	SP5871	126A	SP4025A	159	SP4456	123A	SPT110	5673	SPT440C	5695				
SPC51	123A	SP5871	126A	SP4026	159	SP4457	123A	SPT110A	5673	SPT440C	5695				
SPC52	123A	SP5871	126A	SP4026A	159	SP4458	159	SPT110AB	5673	SPT440C	5695				
SPC401	94	SP5871	126A	SP4027	159	SP4458A	159	SPT110B	5673	SPT440C	5695				
SPC402	94	SP5871	126A	SP4027A	159	SP4459	123A	SPT110C	5673	SPT440C	5695				
SPC411	94	SP5871	126A	SP4028	159	SP4460	159	SPT110C	5673	SPT440C	5695				
SPC413	283	SP5871	126A	SP4028A	159	SP4460A	159	SPT115	5673	SPT440C	5695				
SPC430	94	SP5871	126A	SP4029	123A	SP4461	128	SPT115A	5673	SPT440C	5695				
SPC431	53	SP5871	126A	SP4030	108	SP4462	129	SPT115AB	5673	SPT440C	5695				
SPD005	5818	SP5871	126A	SP4031	108	SP4472	123A	SPT115B	5673	SPT440C	5695				
SPD010	5818	SP5871	126A	SP4031A	108	SP4473	159	SPT115C	5673	SPT440C	5695				
SPD020	5818	SP5871	126A	SP4032	123A	SP4473A	159	SPT115C	5673	SPT440C	5695				
SPD030	5818	SP5871	126A	SP4033	123A	SP4476	123A	SPT125	5682	SPT440C	5695				
SPD040	5818	SP5871	126A	SP4034	123A	SP4477	159	SPT125A	5682	SPT440C	5695				
SPD1205	5818	SP5871	126A	SP4036	123A	SP4478	159	SPT125AB	5682	SPT440C	5695				
SPD1210	5818	SP5871	126A	SP4037	123AP	SP4480	123A	SPT125B	5682	SPT440C	5695				
SPD1220	5818	SP5871	126A	SP4038	123AP	SP4481A	159	SPT125C	5682	SPT440C	5695				
SPD1230	5820	SP5871	126A	SP4039	123A	SP4488	159	SPT130	5693	SPT440C	5695				
SPD1240	5820	SP5871	126A	SP4040	123A	SP4489A	159	SPT130A	5693	SPT440C	5695				
SPD2005	6006	SP5871	126A	SP4041	123A	SP4490	128	SPT130AB	5693	SPT440C	5695				
SPD2010	6006	SP5871	126A	SP4042	123A	SP4491	123A	SPT130C	5693	SPT440C	5695				
SPD2020	6008	SP5871	126A	SP4043	108	SP4492	129	SPT130C	5693	SPT440C	5695				
SPD2030	6008	SP5871	126A	SP4044	108	SP4493	129	SPT130C	5693	SPT440C	5695				
SPD2040	6008	SP5871	126A	SP4045	123A	SP4494	123A	SPT130C	5693	SPT440C	5695				
SPD4059	181	SP5871	126A	SP4052	123A	SP4495	128	SPT140A	5693	SPT440C	5695				
SPD4060	181	SP5871	126A	SP4053	108	SP4496	159	SPT140AB	5693	SPT440C	5695				
SPD4061	181	SP5871	126A	SP4054	108	SP4497	159	SPT140B	5693	SPT440C	5695				
SPD4062	130	SP5871	126A	SP4055	123A	SP4498	159	SPT140C	5693	SPT440C	5695				
SPD4063	130	SP5871	126A	SP4056	108	SP4499	159	SPT215	5673	SPT440C	5695				
SPD4064	130	SP5871	126A	SP4057	123A	SP4500	123A	SPT215A	5673	SPT440C	5695				
SPD4065	130	SP5871	126A	SP4058	108	SP4501	123A	SPT215AB	5673	SPT440C	5695				
SPD4066	130	SP5871	126A	SP4059	108	SP4502	108	SPT215B	5673	SPT440C	5695				
SPD4067	130	SP5871	126A	SP4060	123A	SP4503	123A	SPT215C	5673	SPT440C	5695				
SPD4068	130	SP5871	126A	SP4061	123A	SP4504	123A	SPT215C	5673	SPT440C	5695				
SPD4069	130	SP5871	126A	SP4062	123A	SP4505	123A	SPT215C	5673	SPT440C	5695				
SPD4070	130	SP5871	126A	SP4063	123A	SP4506	123A	SPT215C	5673	SPT440C	5695				
SPD4071	130	SP5871	126A	SP4064	159	SP4507	123A	SPT215C	5673	SPT440C	5695				
SPD4072	130	SP5871	126A	SP4065	159	SP4508	123A	SPT215C	5673	SPT440C	5695				
SPD4073	130	SP5871	126A	SP4066	123A	SP4509	123A	SPT215C	5673	SPT440C	5695				
SPD4074	130	SP5871	126A	SP4067	123A	SP4510	123A	SPT215C	5673	SPT440C	5695				
SPD4075	130	SP5871	126A	SP4068	108	SP4511	123A	SPT215C	5673	SPT440C	5695				
SPD4076	130	SP5871	126A	SP4069	123A	SP4512	123A	SPT215C	5673	SPT440C	5695				
SPD4077	130	SP5871	126A	SP4070	108	SP4513	123A	SPT215C	5673	SPT440C	5695				
SPD4078	130	SP5871	126A	SP4071	123A	SP4514	123A	SPT215C	5673	SPT440C	5695				
SPD4079	130	SP5871	126A	SP4072	123A	SP4515	123A	SPT215C	5673	SPT440C	5695				
SPD4080	130	SP5871	126A	SP4073	123A	SP4516	123A	SPT215C	5673	SPT440C	5695				
SPD4081	130	SP5871	126A	SP4074	123A	SP4517	123A	SPT215C	5673	SPT440C	5695				
SPD4082	130	SP5871	126A	SP4075	123A	SP4518	123A	SPT215C	5673	SPT440C	5695				
SPD4083	130	SP5871	126A	SP4076	123A	SP4519	123A	SPT215C	5673	SPT440C	5695				
SPD4084	130	SP5871	126A	SP4077	123A	SP4520	123A	SPT215C	5673	SPT440C	5695				
SPD4085	130	SP5871	126A	SP4078	123A	SP4521	123A	SPT215C	5673	SPT440C	5695				
SPD4086	130	SP5871	126A	SP4079	123A	SP4522	123A	SPT215C	5673	SPT440C	5695				
SPD4087	130	SP5871	126A	SP4080	123A	SP4523	123A	SPT215C	5673	SPT440C	5695				
SPD4088	130	SP5871	126A	SP4081	123A	SP4524	123A	SPT215C	5673	SPT440C	5695				
SPD4089	130	SP5871	126A	SP4082	123A	SP4525	123A	SPT215C	5673	SPT440C	5695				
SPD4090	130	SP5871	126A	SP4083	123A	SP4526	123A	SPT215C	5673	SPT440C	5695				
SPD4091	130	SP5871	126A	SP4084	123A	SP4527	123A	SPT215C	5673	SPT440C	5695				
SPD4092	130	SP5871	126A	SP4085	123A	SP4528	123A	SPT215C	5673	SPT440C	5695				
SPD4093	130														

To Be Replaced	ECG Replacement	To Be Replaced	ECG Replacement	To Be Replaced	ECG Replacement	To Be Replaced	ECG Replacement	To Be Replaced	ECG Replacement	To Be Replaced	ECG Replacement	To Be Replaced	ECG Replacement
SR3A8M	5804	SR30B500-250	166	SR200PL-20R	6359	SR1603	6087	SRIK-2	116	SS9016E	108	SSP10N10	66
SR3A8M10	5806	SR30C-2R	6007	SR200PL-20S	6358	SR200PL-20S	6087	SRK-2	116	SS9018F	108	SSP12N05	2390#
SR3A8M12	5805	SR30C-2S	6006	SR200PL-24R	6107	SR1604	6087	SRK-4	116	SS9019G	108	SSP12N06	2390#
SR3A8M5	125	SR30C-2S	6007	SR200PL-24S	6106	SR1604	6087	SRK-1	116	SS9019H	108	SSP12N08	66#
SR3BM-6	116	SR30C-4S	6006	SR205	116	SR1605	6088	SRK-1	116	SS9018E	23	SSP12N10	66#
SR4	116	SR30C-6R	6009	SR210	5802	SR1620C	6087	SRK-1	116	SS9018F	23	SSP310	6094
SR5	116	SR30C-6S	6008	SR220	5802	SR1630C	6087	SRK-2	116	SS9018F	23	SSP320	6084
SR-5	116	SR30C-8R	6009	SR250E250	5305	SR1640C	6087	SRK12ZB06	517	SS9019G	23	SSP330	6084
SR-5K	116	SR30C-8S	6008	SR250V1E	1V250	SR1643A	5800	SRK-12ZB-06	517	SS9019H	23	SSP340	6084
SR6	113A	SR30C-12R	6011	SR250V2E	2V250	SR1645C	6086	SRK12ZB07	517	SS9227	190	SSP40	6084
SR10	114	SR30C-12S	6010	SR302	586	SR1650	5808	SRK-12ZB-07	517	SS9A 5	4904	SSP1630	6084
SR10A-2R	5875	SR31	119	SR303	586	SR1650C	6095	SRK-12Z-09	517	SS9A 5A	4904	SSP1750	6084
SR10A-2S	5874	SR31A	586	SR304	586	SR1660C	6088	SRK12ZB09	517	SS9B 4	6084	SSP210	6084
SR10A-4R	5875	SR32	118	SR305	579	SR1668	116	SRLFM-1	116	SS9B 5A	159	SSP2030	6084
SR10A-4S	5874	SR32E	118	SR306	579	SR1668	116	SRLP1004	323	SS9A43A-1	159	SSP2040	6084
SR10A-6R	5879	SR33V1E	1V020	SR308	579	SR1692	116	SRLM-6Z	546	SS9A46	159	SSP3005	6094
SR10A-6S	5878	SR33V2E	2V020	SR320	573	SR1693	116	SRM-8ZG	548	SSA46A	159	SSP3010	6094
SR10A-8R	5879	SR34	177	SR330	373	SR1694	116	SRP 100A	582	SSA45	159	SSP3030	6094
SR10A-8S	5878	SR35	116	SR340	573	SR1695	116	SRP100B	582	SSA48A	159	SSP3040	6094
SR10A-10R	5883	SR35	125	SR350	573	SR1731-1	116	SRP100D	582	SS920DCT	6090	SS94N55	2387#
SR10A-10S	5882	SR37	125	SR360	573	SR1731-2	116	SRP100E	582	SS9100A	6090	SS94N56	2387#
SR10A-12R	5883	SR37	120	SR390	116	SR1731-3	116	SRP100F	589	SS9100B	6090	SS94N57	2389
SR10A-12S	5882	SR39V1E	1V025	SR390	116	SR1731-4	116	SRP100G	569	SS9-LX500GD	3181	SS95N10	1171
SR10A-18R	5887	SR39V2E	2V025	SR390-2	5809	SR1731-5	116	SRP300A	580	SS9-LX500D	3180	SSS301AJ	1171
SR10A-18S	5886	SR40	116	SR400DM-28	6107	SR400	116	SRP300B	580	S9B-LX500YD	3182	SSS301AP	975
SR10A-20R	5891	SR47V1E	1V030	SR400DH-32	6107	SR4759	5866	SRP300D	580	SSD974	116	SSS241CJ	947
SR10A-20S	5890	SR47V2E	2V030	SR400DL-10	6107	SR1762	5802	SRP300G	580	SS912	587	SSS247CK	947
SR10D1	5870	SR50	116	SR400DL-12	6107	SR1766	580	SRP300H	580	SS912	587	SSS247CP	947D
SR10D2	5874	SR50A-8R	6081	SR400DL-16	6107	SR1849-1	116	SRP300K	577	SS913	587	SSS2747C	947D
SR10D-2R	5875	SR50A-2S	6082	SR400DL-20	6107	SR1874	5866	SRP300L	589	SS914	587	SSS408A-60	2066
SR10D-2S	5874	SR50A-10R	6085	SR400DL-24	6107	SR1884	116	SRP600E	589	SS914	587	SSS408A-7Q	2066
SR10D4	5944	SR50A-10S	6064	SR401	116	SR2020	6091	SRP600D	589	SS922	588	ST01	123A
SR10D-4R	5875	SR50A-12R	6065	SR-401	116	SR2030	6091	SRP600G	589	SS923	588	ST02	123A
SR10D-4S	5874	SR50A-12S	6064	SR405	116	SR2045	6091	SRR13	113A	SS924	588	ST03	123A
SR10D-6R	5879	SR50A-16R	6069	SR431V1E	1V275	SR2121	116	SR568	5331	SS931	588	ST04	123A
SR10D-6S	5878	SR50A-16S	6068	SR431V2E	2V275	SR2301	116	SR5610	5331	SS932	488	ST05	123A
SR10D-8R	5879	SR50A-20R	6073	SR431V3E	3V275	SR2301A	116	SS0001A	102A	SS933	588	ST06	123A
SR10D-8S	5878	SR50A-20S	6072	SR471V1E	1V300	SR2462	582	SS0001A	102A	SS934	588	ST06C06CCK	5380
SR10D-10R	5883	SR50V1E	1V035	SR471V2E	2V300	SR2462 (YELLOW)	582	SS0001C	116	SS935	576	ST06C06CF	5380
SR10D-10S	5882	SR50V2E	2V035	SR471V3E	3V300	SR2856	330	SS0002	102A	SS935	576	ST06C06COP	5380
SR10D-12R	5883	SR60	116	SR475	5800	SR3001	571	SS0002A	102A	SS953	576	ST06C06CCK	5380
SR10D-12S	5883	SR69V1E	1V040	SR480V2E	2V800	SR3002	571	SS0002	102A	SS954	576	ST06C06CF	5380
SR10D-16R	5887	SR69V2E	2V040	SR480V3E	3V480	SR3002C	6090#	SS0003A	102A	SS954	576	ST06C08CCK	5381
SR10D-16S	5886	SR70C-10	6065	SR490	156	SR3003	571	SS0004	102A	SS956	6084	ST06C10CCK	5381
SR10D-20R	5891	SR70C-10S	6064	SR499	156	SR3003C	6090#	SS0004A	102A	SS956	6084	ST06C10OCCK	5381
SR10D-20S	5890	SR70C-12	6065	SR500	116	SR3004	571	SS0005	102A	SS956	6084	ST06C12CCK	5381
SR10D-1R	5863	SR70C-12S	6065	SR500B	116	SR3004C	6090#	SS0005A	102A	SS956	6084	ST06C12COP	5381
SR10D-1S	5862	SR70C-16	6065	SR502	573	SR3005	571	SS0006	109	SS956	6084	ST06C302PCN	5371
SR10F-2R	5863	SR70C-16S	6068	SR503	573	SR3006	571	SS0007	109	SS956	6084	ST06C304PCK	5371
SR10F-4S	5863	SR70C-20	6073	SR504	573	SR3007	571	SS0010	116	SS956	6084	ST06C308PCN	5371
SR10F-6R	5863	SR70C-20S	6072	SR505	573	SR3007A	6091	SS-1	116	SS956	6084	ST06C308PCK	5371
SR10F-6S	5862	SR71CTR	6247	SR506	573	SR3020C	6091	SS-1	116	SS956	6084	ST06C308PCK	5371
SR10F-8R	5863	SR76	116	SR507	5802	SR3030	6091	SS1.54J2B	123A	SS956	6084	ST06C308PCN	5371
SR10F-8S	5862	SR82V1E	1V050	SR520	573	SR3030C	6091	SS1.54J4	586	SS956	6084	ST06C308PCN	5371
SR10F-10R	5863	SR82V2E	2V050	SR530	573	SR3035C	6091	SS-2N5062	5402	SS956	6084	ST06C308PCK	5372
SR10F-10S	5862	SR100	116	SR540	573	SR3040	6091	SS16	112	SS956	6084	ST06C310PCK	5372
SR10F-10S	5866	SR-100	5802	SR550	573	SR3040C	6091	SS155	160	SS956	6084	ST06C310PCK	5372
SR10L-1R	5844	SR-101-1	116	SR560	573	SR3045	6091	SS171	186	SS956	6084	ST06C312PCK	5372
SR10L-1S	5843	SR-101-1	116	SR605	573	SR3050	6091	SS172	186	SS956	6084	ST06C312PCK	5372
SR10L-2R	5844	SR605D	3007	SR610	573	SR3050C	6092	SS176	123AP	SS956	6084	ST07C06CCK	5380
SR10L-2S	5843	SR681V2E	2V420	SR620	573	SR3050C	6092	SS264	2389	SS956	6084	ST07C06CCK	5380
SR10L-2S	5844	SR681V3E	3V420	SR630	573	SR3060C	6092	SS264	2389	SS956	6084	ST07C06CCK	5380
SR10L-4R	5849	SR101V1E	1V060	SR640	573	SR3060C	6092	SS277G	116	SS956	6084	ST07C06CCK	5381
SR10L-6S	5848	SR101V2E	2V060	SR710	6200	SR3582	116	SS321	116	SS956	6084	ST07C08CCK	5381
SR10L-6S	5848	SR102	580	SR710CTH	6246	SR3943	116	SS322	116	SS956	6084	ST07C08CFJ	5381
SR10L-8R	5849	SR103	6208	SR710F	6208	SR4020	6091	SS324	116	SS956	6084	ST07C10CFJ	5381
SR10L-8S	5848	SR103D	3025	SR710F	6208	SR4030	6091	SS334	116	SS956	6084	ST07C12CFJ	5381
SR10L-10R	5853	SR103D (LED)	519	SR711CTR	6246	SR4050	6092	SS337	116	SS956	6084	ST07C12CFJ	5381
SR10L-10S	5852	SR103F	3025	SR711F	6246	SR4050	6092	SS337	116	SS956	6084	ST07C12CFJ	5381
SR10L-4S	5844	SR103W	3020	SR712	6208	SR4050E	6092	SS337	116	SS956	6084	ST07C12CFJ	5381
SR13	113A	SR103W	3020	SR712CTR	6246	SR5005R	5827	SS345	116	SS956	6084	ST07C306PCK	5371
SR-13	178MP	SR104	585	SR712F	6208	SR5010F	5827	SS352	154	SS956	6084	ST07C306PCK	5372
SR-13H	116	SR105	578	SR713F	6208	SR5020	5826#	SS352	154	SS956	6084	ST07C306PCK	5372
SR13H	116	SR105D	3007	SR714	6208	SR5020R	5827	SS1133	386	SS956	6084	ST07C310PCK	5372
SR14	114	SR105D	3007	SR714F	6208	SR5020	5826#	SS1606	159	SS956	6084	ST07C312PCK	5372
SR-14	116	SR106	578	SR714CTR	6246	SR5020R	5827	SS1606A	121	SS956	6084	ST07C312PCK	5372
SR-15	114	SR106D	3000	SR714F	6208	SR5040	5826#	SS1821	123A	SS956	6084	ST080508P	5572
SR-15	506	SR107	3000	SR715	6208	SR5040R	5827	SS196	159	SS956	6084	ST080508P	5572
SR16 (Philco)	515	SR107	578	SR716F	6210	SR6001	589#	SS196A	159	SS956	6084	ST080508P	5572
SR-16 (Philco)	515	SR108	578	SR802	6083	SR6002	589#	SS1912	154	SS956	6084	ST080508P	5574
SR-17	116	SR109	578	SR803	6083	SR6003	589#	SS2308	123A	SS956	6084	ST080510P	5574
SR17	116	SR112	116	SR804	6083	SR6004	589#	SS2409	213	SS956	6084	ST080512P	5574
SR17 (CLAMP)	515	SR112	116	SR805	6083	SR6134	116	SS2503	159	SS956	6084	ST080514P	5578
SR-17 (Philco)	515	SR114	116	SR806	6083	SR6324	116	SS2503A	159	SS956	6084	ST080516P	5578
SR-18	116	SR114	5802	SR806S-126	116	SR6325	116	SS2504	123A	SS956	6084	ST080516P	5578
SR18V1E	1V09	SR120	6095	SR807	6083	SR6325	116	SS2504A	123A	SS956	6084	ST080516P	5578
SR18V2E	2V010												

Main table with columns: To Be Replaced, ECG Replacement, To Be Replaced, ECG Replacement, To Be Replaced, ECG Replacement, To Be Replaced, ECG Replacement, To Be Replaced, ECG Replacement, To Be Replaced, ECG Replacement. Lists various semiconductor part numbers and their equivalents.

When basing of original part differs from ECG replacement, basing for original part is shown in parentheses () after the part number. For example, the 2SA509A(ECB) is replaced by ECG159 which has "ECB" basing.

Table with columns: To Be Replaced, ECG Replacement, To Be Replaced, ECG Replacement, To Be Replaced, ECG Replacement, To Be Replaced, ECG Replacement, To Be Replaced, ECG Replacement. Contains multiple columns of part numbers and their equivalents.

* , # , @ , + , \$, % - See Special Notes on Page 2-2

Table with 10 columns: To Be Replaced, ECG Replacement, To Be Replaced, ECG Replacement, To Be Replaced, ECG Replacement, To Be Replaced, ECG Replacement, To Be Replaced, ECG Replacement. Contains multiple rows of part numbers and their corresponding ECG replacements.

When basing of original part differs from ECG replacement, basing for original part is shown in parentheses () after the part number. For example, the 2SA509A(ECB) is replaced by ECG159 which has "ECB" basing.

Table with columns: To Be Replaced, ECG Replacement, To Be Replaced, ECG Replacement, To Be Replaced, ECG Replacement, To Be Replaced, ECG Replacement, To Be Replaced, ECG Replacement, To Be Replaced, ECG Replacement, To Be Replaced, ECG Replacement. Contains multiple columns of part numbers and their equivalents.

♦, #, @, *, † - See Special Notes on Page 2-2

Table with 8 columns: To Be Replaced, ECG Replacement, To Be Replaced, ECG Replacement, To Be Replaced, ECG Replacement, To Be Replaced, ECG Replacement, To Be Replaced, ECG Replacement, To Be Replaced, ECG Replacement. Contains thousands of part numbers and their corresponding ECG replacements.

When basing of original part differs from ECG replacement, basing for original part is shown in parentheses () after the part number. For example, the 2SA509A(ECB) is replaced by ECG159 which has "EBC" basing.

Table with 12 columns: To Be Replaced, ECG Replacement, To Be Replaced, ECG Replacement, To Be Replaced, ECG Replacement, To Be Replaced, ECG Replacement, To Be Replaced, ECG Replacement, To Be Replaced, ECG Replacement. Rows list various semiconductor part numbers and their equivalents.

♦, *, †, +, ‡, § - See Special Notes on Page 2-2

Table with 12 columns: To Be Replaced, ECG Replacement, To Be Replaced, ECG Replacement, To Be Replaced, ECG Replacement, To Be Replaced, ECG Replacement, To Be Replaced, ECG Replacement, To Be Replaced, ECG Replacement. Rows list various semiconductor part numbers and their equivalents.

◆, ●, ⊕, +, ⊖, † - See Special Notes on Page 2-2

Table with 12 columns: To Be Replaced, ECG Replacement, To Be Replaced, ECG Replacement, To Be Replaced, ECG Replacement, To Be Replaced, ECG Replacement, To Be Replaced, ECG Replacement, To Be Replaced, ECG Replacement. Contains numerous semiconductor part numbers and their equivalents.

When basing of original part differs from ECG replacement, basing for original part is shown in parentheses () after the part number. For example, the 2SAS09A(ECB) is replaced by ECG159 which has "ECB" basing.

To Be Replaced	ECG Replacement	To Be Replaced	ECG Replacement	To Be Replaced	ECG Replacement	To Be Replaced	ECG Replacement	To Be Replaced	ECG Replacement	To Be Replaced	ECG Replacement	To Be Replaced	ECG Replacement
TA7611FG	1413	TA8680AN	7010	TAG9N-400DU	5545	TAG-512M	5416	TBA2817/23	923	TC30040750	376F	TC3001	1192
TA7611P	1413	TA8680D	7010	TAG9N-600DU	5547	TAG-520A	5408	TBA2817/23C	923	TC3R022710	399	TC4001	4001B
TA7612AP	1519	TA8703	7057	TAG9N-800DU	5548	TAG-520B	5408	TBA331	912	TC3T005960	85	TC40018CP	4001B
TA7612FB	1519	TA8703S	7057	TAG10-50R	5491	TAG-520C	5409	TBA641B11	OBS-NLA	TC3T005960	85	TC40018P	4001BT
TA7612P	1519	TA8724	219	TAG10-100R	5491	TAG-520D	5409	TBA800	1116	TC3T0336K	85	TC40018P	4001B
TA7614(C)	1842	TA9126	334	TAG10-300R	5494	TAG605-200	5427	TBA310ACB	1115	TC3T0336K	289A	TC40018P	4001B
TA7614AP	1854	TA9166B	388	TAG10-400R	5494	TAG605-400	5428	TBA810ACBS	1115	TC3T022740	289A	TC4002BP	4002B
TA7614AP-Y	1854	TA9223A	597	TAG10-500R	5496	TAG605-600	5429	TBA810AD	1115	TC3T03314T	362	TC4002BP	4002B
TA7614BP	1854	TA9223B	597	TAG10-600R	5498	TAG605R200	5427	TBA810ADS	1115	TC3T022710	399	TC4006B	4006B
TA7614P	1854	TA9223C	597	TAG14N-400DU	5545	TAG605R400D	5428	TBA810AP	1115	TC3T022740	289A	TC4007P	4007
TA7630A	1576	TA10273	842	TAG14N-600DU	5547	TAG605R800M	5429	TBA810APS	1115	TC3T023620	199	TC4007BP	4007
TA7630FA	1576	TA10273W	842	TAG14N-800DU	5548	TAG606-200	5427	TBA810AS	1115	TC3T030000	85	TC4007P	4007
TA7630P	1576	TA10280	84	TAG16N-400DU	5545	TAG606-400	5428	TBA810CB	1115A	TC3T034580	369	TC4008	4008B
TA7640P	1842	TA10280(C)	867	TAG16N-600DU	5547	TAG606-600	5429	TBA810CD	1115A	TC3T022740	289A	TC4008B	4008B
				TAG16N-800DU	5548	TAG611-100	5408	TBA810DS	1115	TC3T2362K0	286	TC4009UB	4009
TA7843	16178	TA10898	844	TAG16N-800ALU	5548	TA6611-200	5408	TBA810P	1115A	TC5F06290S	157	TC40106P	4010P
TA7843P	16178	TA10910	873	TAG20-50R	5541	TAG201-400	5409	TBA810S	1115	TC5T0388A0	85	TC4011	4011B
TA7844A	1547	TA10943	875	TAG20-100R	5542	TAG611-600	5410	TBA-810S	1115	TC5T018154	85	TC4011B	4011B
TA7844AP	1547	TA10944	874	TAG20-200R	5543	TAG611-100	5410	TBA810S-H	1115A	TC5T012104	289A	TC4011BF	4011BT
TA7844B	1547	TA10955(C)	868	TAG20-300R	5545	TAG612-200	5408	TBA810SH	1115A	TC5T022294	793	TC4011P	4011P
TA7844BP	1547	TA11029(C)	1231A	TAG20-400R	5545	TAG612-400	5409	TBA820	1117	TC-8(E)com	303	TC4011P	4011P
TA7844BFA-1	1547	TA11167	1682	TAG20-500R	5547	TAG612-600	5410	TBA820B2	123A	TC40112P	85	TC4012BP	4012BT
TA7844FA	1547	TA11419	1739	TAG20-600R	5547	TAG620-100	5462	TBA820L	1117	TC40117A0S0	85	TC4012BP	4012B
TA7844FB	1547	TA16090	230	TAG60A(AGK)	5401	TAG620-200	5463	TBA820M	1294	TC7W0114E0	2355	TC4012P	4012P
TA7844P	1547	TA16091	231	TAG60F(AGK)	5401	TAG620-400	5465	TBA820N2	1294	TC7W0124E0	2357	TC4013	4013B
TA7859P	1571	TA75061P	897M	TAG620A(AGK)	5401	TAG627-200	5437	TBA820T	1294	TC7A5A	146A	TC4013P	4013P
TA7859B	1571	TA75061F	897M	TAG62A	5402	TAG628-100	5468	TBA220U	1292B	TC7A5A-5	146A	TC4013P	4013B
TA7859P	1571	TA75062P	898M	TAG62F	5401	TAG628-200	5437	TBA-1412	966	TC33A5A	147A	TC4013P	4013B
TA7860CP	1775	TA75071P	897M	TAG62Y	5400	TAG622-200	5437	TBA2800	1764	TC50	5800	TC4014P	4014B
TA7860P	1775	TA75072F	898M	TAG62-1	5655	TAG622-400	5437	TBA2800S	1764	TC62A5B	148A	TC4015BP	4015BT
TA7860PFA-1	1775	TA75072F	898M	TAG62-2	5655	TAG623-100	5438	TBB0747	947	TC74C123P	74HC123	TC4015BP	4015B
TA7862P	1196	TA75074F	898M	TAG92-3	5655	TAG623-200	5437	TBB0747A	947D	TC74HC00AP	74HC00	TC4015BP	4015B
TA7864A	1573	TA75074P	899	TAG92-4	5656	TAG628-300	5437	TBB0748B	1171	TC74HC002AP	74HC02	TC4016BP	4016B
TA7864AP(FA-1)	1573	TA75074P	899	TAG92-5	5656	TAG628-400	5437	TBB0749B	1171	TC74HC004P	74HC04	TC4016BP	4016B
TA7864P	1573	TA75061F	897M	TAG92-6	5656	TAG628-600	5438	TBB1458B	775A	TC74HC008P	74HC08	TC4016P	4016B
TA7864PFA-1	1573	TA75339P	934	TAG92-7	5656	TAG628-800	5438	TBB0748	1171	TC74HC04AP	74HC04	TC4016P	4016B
TA7868BP	1651	TA75359P	934M	TAG92-8	5656	TAG629-100	5463	TBC327(CBE)	159	TC74HC04P	74HC04	TC4017BP	4017B
TA7868FB	1651	TA75393	943M	TAG92-9	5656	TAG629-200	5463	TBC327A(CBE)	159	TC74HC08AP	74HC08	TC4017P	4017B
TA7868P	1651	TA75393P	943M	TAG96-A	5603	TAG629-400	5463	TBC327B(CBE)	159	TC74HC10AP	74HC10	TC4018	4018B
TA7868PFA-1	1651	TA75393P	943M	TAG96-B	5603	TAG629-600	5466	TBC328(CBE)	159	TC74HC11AP	74HC11	TC4018P	4018B
TA7868P	1651	TA75458P	778A	TAG96-C	5603	TAG629-800	5468	TBC328A(CBE)	159	TC74HC11AP	74HC11	TC4018P	4018B
TA7868P	1651	TA75458S	1529	TAG96-D	5607	TAG629-100	5468	TBC328B(CBE)	159	TC74HC132AP	74HC132	TC4019BP	4019B
TA7868P	1651	TA75458S	1529	TAG96-E	5607	TAG629-200	5468	TBC328C(CBE)	159	TC74HC132AP	74HC132	TC4019BP	4019B
TA7868P	1651	TA75458S	1529	TAG96-F	5607	TAG629-400	5437	TBC328D(CBE)	123AP	TC74HC138AP	74HC138	TC4020BP	4020B
TA7868P	1651	TA75458S	1529	TAG96-G	5607	TAG629-600	5437	TBC328E(CBE)	123AP	TC74HC138AP	74HC138	TC4020BP	4020B
TA7868P	1651	TA75458S	1529	TAG96-H	5607	TAG629-800	5437	TBC328F(CBE)	123AP	TC74HC138AP	74HC138	TC4020BP	4020B
TA7868P	1651	TA75458S	1529	TAG96-I	5607	TAG630-100	5463	TBC328G(CBE)	123AP	TC74HC138AP	74HC138	TC4020BP	4020B
TA7868P	1651	TA75458S	1529	TAG96-J	5607	TAG630-200	5463	TBC328H(CBE)	123AP	TC74HC151AP	74HC151	TC4020BP	4020B
TA7868P	1651	TA75458S	1529	TAG96-K	5607	TAG630-400	5463	TBC328I(CBE)	123AP	TC74HC151AP	74HC151	TC4020BP	4020B
TA7868P	1651	TA75458S	1529	TAG96-L	5607	TAG630-600	5468	TBC328J(CBE)	123AP	TC74HC151AP	74HC151	TC4020BP	4020B
TA7868P	1651	TA75458S	1529	TAG96-M	5607	TAG630-800	5468	TBC328K(CBE)	123AP	TC74HC161AP	74HC161	TC4025BP	4025B
TA7868P	1651	TA75458S	1529	TAG96-N	5607	TAG630-100	5468	TBC328L(CBE)	123AP	TC74HC161AP	74HC161	TC4025BP	4025B
TA7868P	1651	TA75458S	1529	TAG96-O	5607	TAG630-200	5437	TBC328M(CBE)	123AP	TC74HC161AP	74HC161	TC4025BP	4025B
TA7868P	1651	TA75458S	1529	TAG96-P	5607	TAG630-400	5437	TBC328N(CBE)	123AP	TC74HC161AP	74HC161	TC4025BP	4025B
TA7868P	1651	TA75458S	1529	TAG96-Q	5607	TAG630-600	5437	TBC328P(CBE)	123AP	TC74HC161AP	74HC161	TC4025BP	4025B
TA7868P	1651	TA75458S	1529	TAG96-R	5607	TAG630-800	5437	TBC328Q(CBE)	123AP	TC74HC161AP	74HC161	TC4025BP	4025B
TA7868P	1651	TA75458S	1529	TAG96-S	5607	TAG630-100	5468	TBC328R(CBE)	123AP	TC74HC161AP	74HC161	TC4025BP	4025B
TA7868P	1651	TA75458S	1529	TAG96-T	5607	TAG630-200	5468	TBC328S(CBE)	123AP	TC74HC161AP	74HC161	TC4025BP	4025B
TA7868P	1651	TA75458S	1529	TAG96-U	5607	TAG630-400	5468	TBC328T(CBE)	123AP	TC74HC161AP	74HC161	TC4025BP	4025B
TA7868P	1651	TA75458S	1529	TAG96-V	5607	TAG630-600	5468	TBC328U(CBE)	123AP	TC74HC161AP	74HC161	TC4025BP	4025B
TA7868P	1651	TA75458S	1529	TAG96-W	5607	TAG630-800	5468	TBC328V(CBE)	123AP	TC74HC161AP	74HC161	TC4025BP	4025B
TA7868P	1651	TA75458S	1529	TAG96-X	5607	TAG630-100	5468	TBC328W(CBE)	123AP	TC74HC161AP	74HC161	TC4025BP	4025B
TA7868P	1651	TA75458S	1529	TAG96-Y	5607	TAG630-200	5468	TBC328X(CBE)	123AP	TC74HC161AP	74HC161	TC4025BP	4025B
TA7868P	1651	TA75458S	1529	TAG96-Z	5607	TAG630-400	5468	TBC328Y(CBE)	123AP	TC74HC161AP	74HC161	TC4025BP	4025B
TA7868P	1651	TA75458S	1529	TAG96-AA	5607	TAG630-600	5468	TBC328Z(CBE)	123AP	TC74HC161AP	74HC161	TC4025BP	4025B
TA7868P	1651	TA75458S	1529	TAG96-AB	5607	TAG630-800	5468	TBC328A(CBE)	123AP	TC74HC161AP	74HC161	TC4025BP	4025B
TA7868P	1651	TA75458S	1529	TAG96-AC	5607	TAG630-100	5468	TBC328B(CBE)	123AP	TC74HC161AP	74HC161	TC4025BP	4025B
TA7868P	1651	TA75458S	1529	TAG96-AD	5607	TAG630-200	5468	TBC328C(CBE)	123AP	TC74HC161AP	74HC161	TC4025BP	4025B
TA7868P	1651	TA75458S	1529	TAG96-AE	5607	TAG630-400	5468	TBC328D(CBE)	123AP	TC74HC161AP	74HC161	TC4025BP	4025B
TA7868P	1651	TA75458S	1529	TAG96-AF	5607	TAG630-600	5468	TBC328E(CBE)	123AP	TC74HC161AP	74HC161	TC4025BP	4025B
TA7868P	1651	TA75458S	1529	TAG96-AG	5607	TAG630-800	5468	TBC328F(CBE)	123AP	TC74HC161AP	74HC161	TC4025BP	4025B
TA7868P	1651	TA75458S	1529	TAG96-AH	5607	TAG630-100	5468	TBC328G(CBE)	123AP	TC74HC161AP	74HC161	TC4025BP	4025B
TA7868P	1651	TA75458S	1529	TAG96-AI	5607	TAG630-200	5468	TBC328H(CBE)	123AP	TC74HC			

Table with 12 columns: To Be Replaced, ECG Replacement, To Be Replaced, ECG Replacement, To Be Replaced, ECG Replacement, To Be Replaced, ECG Replacement, To Be Replaced, ECG Replacement, To Be Replaced, ECG Replacement. Contains multiple rows of part numbers and their equivalents.

When basing of original part differs from ECG replacement, basing for original part is shown in parentheses () after the part number. For example, the 2SA509A(IECB) is replaced by ECG159 which has "IECB" basing.

To Be Replaced	ECG Replacement	To Be Replaced	ECG Replacement	To Be Replaced	ECG Replacement	To Be Replaced	ECG Replacement	To Be Replaced	ECG Replacement	To Be Replaced	ECG Replacement	To Be Replaced	ECG Replacement
TE3710	108	TF7	124	TG2SC36SPF	85	TG82	116	TI-338	160	TI-752	159	TIC225D	5609
TE3711	108	TF20	116	TG2SC927	107	TG83	116	TI-363	100	TI802B	123A	TIC225E	5609
TE3843	199	TF21	116	TG2SC927-A	107	TG86	598	TI365	160	TI803	123A	TIC235M	5609
TE3971	134	TF22	116	TG2SC927-C	107	TG16C60	123A	TI-367A	123A	TI805A	123A	TIC238	5610
TE3945	199	TF23	116	TG2SC927-D	319P	TG840M	5554	TI364	160	TI808E	129	TIC225S	5610
TE3851	199	TF30	102A	TG2SC927-E	319P	TH15657	116	TI365	160	TI810B	123A	TIC235A	5608
TE3854A	199	TF30	102A	TG2SC927-DD-A	161	TH15750	112	TI-365A	166	TI811G	128	TIC226A	5608
TE3855	199	TF34	177	TG2SC927-E-A	319P	TH2SA733-Q	294	TI-366	121	TI-890	159	TIC226B	5633
TE3855A	199	TF44	177	TG2SC983	287	T-H2SC313	108	TI366	121	TI-991	193	TIC226C	5608
TE3859	199	TF44J	177	TG2SC1025	175	T-H2SC387	108	TI366A	121	TI904	123A	TIC226D	5635
TE3859A	192B	TF49	102A	TG2SC1025D	175	T-H2SC395	107	TI-366A	121	TI-905	159	TIC226E	5609
TE3860	199	TF503344G	5424	TG2SC1049N	195	T-H2SC396	123A	TI-367	121	TI-905A	120	TIC226F	5609
TE3861	134	TF5039655G	5424	TG2SC1175-C	123A	T-H2SC526	123A	TI-367	121	TI-907	123A	TIC226G	5610
TE3900A	199	TF65	102A	TG2SC1175-E	123A	T-H2SC693	123A	TI367A	121	TI907	123A	TIC226H	5608
TE3901	199	TF65	102A	TG2SC1175-F	123A	TH2SC893	123A	TI-367A	121	TI908	123A	TIC232E	5673
TE3903	123A	TF65/30	102A	TG2SC1175-G	123A	TH2SC715	123A	TI-368	121	TI-906	123A	TIC232D	5675
TE3904	123A	TF65/M	102A	TG2SC1175-D	123A	T-H2SC715	123A	TI368	121	TI1131	738	TIC232E	5677
TE3905	159	TF65M	158	TG2SC1175-D-A	123A	TH5-1	357	TI368A	121	TI1132	738	TIC232A	5604
TE3906	123A	TF65/S/30	102A	TG2SC1175-E	123A	TH5-8	350	TI-368A	121	TI1133	738	TIC236B	5604
TE4123	123A	TF6A	102A	TG2SC1175-E-A	123A	TH5-15	351	TI-369	121	TI1134	738	TIC236C	5606
TE4124	123A	TF6B	102A	TG2SC1175-F	107	TH5-29	349	TI369	121	TI1135	738	TIC236D	5606
TE4125	123A	TF6B/30	102A	TG2SC123A	191	TH50	116	TI369A	121	TI1136	738	TIC236E	5608
TE4126	159	TF66/60	102A	TG2SC1293-A	233	TH400	116	TI-369A	121	TI1151	738	TIC236M	5608
TE4255	199	TF70	101	TG2SC1293-A-A	233	TH600	116	TI370	104	TI1152	738	TIC236N	56010
TE4424	123A	TF71	101	TG2SC1293-B	233	TH800	123	TI-370	121	TI1153	738	TIC236G	56010
TE4425	192B	TF72	101	TG2SC1293-B-A	233	TH801	116	TI370A	104	TI1154	738	TIC242E	5673
TE4951	123A	TF75	102A	TG2SC1293-C	233	TH802	116	TI-370A	121	TI1155	738	TIC242D	5675
TE4952	123A	TF77	102A	TG2SC1293-C-A	233	TH803	116	TI-367	160	TI1156	738	TIC242E	5677
TE4953	123A	TF78	104	TG2SC1293-C	233	TH804	116	TI-368	160	TI3010	160	TIC242A	5604
TE4954	123A	TF78	104	TG2SC1293-D	233	TH805	116	TI399	160	TI3011	160	TIC248	5610
TE5036	193	TF78/30	104	TG2SC1293-D-A	233	TH806	116	TI399	160	TI3012	121	TIC246C	5606
TE5087	193	TF78/30Z	121	TG2SC1293-D	233	TH808	125	TI399	160	TI3015	123	TIC246D	5606
TE5088	199	TF78/60	121	TG2SC1293-D-A	233	TH810	125	TI391	160	TI-3016	107	TIC246E	5609
TE5089	199	TF80/30	121	TG2SC1295	165	TH1000	125	TI393	160	TI3016	106	TIC246F	5608
TE5249	199	TF80/30Z	121	TG2SC1295-O	165	TH1251	196	TI395	160	TI3027	121	TIC246N	56010
TE5309	199	TF80/30Z	121	TG2SC1295-O	389	THAL226	5645	TI396	160	TI396	121	TIC246S	56010
TE5309A	123A	TF80/30Z	102A	TG2SC1295-O-A	165	THC12B	5127A	TI397	160	TI3029	121	TIC262B	5683
TE5310	199	TF101-A	128	TG2SC1295-O	198	TH-H2SC313	161	TI398	160	TI-3030	173	TIC232E	5685
TE5311	199	TF101-B	128	TG2SC1756-C	198	THS1C	160	TI399	160	TI-3031	173	TIC232D	5687
TE5311A	123A	TF101-D	128	TG2SC1756-C-A	198	THSHZ782	5014A	TI400	160	TI8419	160	TIC232M	5687
TE5365	159	TF200M	5465	TG2SC1756-E	198	THU60U	102A	TI400	160	TI84213	85	TIC253A	56015
TE5367	193	TF200M-AZ	5437	TG2SC1756-E-A	198	THYDF75A40-V1	5722	TI400	160	TI400	102A	TIC253B	56015
TE5368	123A	TF321M	5417A	TG2SC1756-E-B	198	THYDF75A40-V2	5722	TI401	160	TI401	102A	TIC253C(T0218)	56033
TE5369	123A	TF321M-A	5426	TG2SC1756-E-C	198	THYDF75A53-V1	5721	TI402	160	TI402	160	TIC253C	56016
TE5370	123A	TF340M	5465	TG2SC1756-E-D	198	THYDF75A53-V2	5722	TI403	160	TI403	100	TIC253D(T0218)	56033
TE5371	123A	TF340M-A	5465	TG2SC1756-F	198	THYDF75A60-V1	5721	TI403	160	TI404	102	TIC253D(T0218)	56033
TE5376	123A	TF381M-A	5426	TG2SC1756-G	198	THYDF75A60-V2	5722	TI407	160	TI-3031	173	TIC253E(T0218)	56033
TE5377	123A	TF381M	5419#	TG2SC1756-D	198	THYDF75A60-V1	5721	TI407	160	TI405A	100	TIC253E(T0218)	56033
TE5378	159	TF381M-A	5436#	TG2SC1756-D-R	198	THYDF75A80-V2	5722	TI408	160	TI408	123A	TIC253M	56017
TE5441	159	TF521S	5440	TG2SC1756-E	198	THYDG75A40-V2	5722	TI409	160	TI409	54893	TIC253M(T0218)	56033
TE5442	159	TF521S	5440	TG2SC1756-E-B	198	THYDG75A40-V1	5722	TI409	160	TI410	103	TIC253S	56018
TE5448	159	TF541M	5418#	TG2SC1756-E-C	198	THYDG75A53-V1	5722	TI410	108	TI410	222	TIC262B	5683
TE5449	123A	TF541S	5440	TG2SC2057-C	229	THYDG75A53-V2	5722	TI410	108	TI410	1576	TIC262D	5685
TE5450	123A	TF561S	5419#	TG2SC2057-D	219	THYDG75A60-V1	5722	TI411	123A	TI411	5667A	TIC262E	5687
TE5451	123A	TF561S	5440	TG2SC2057-D	329P	THYDG75A60-V2	5722	TI412	123A	TI412	5667A	TIC262M	5687
TE13004	51	TF620M	5465	TG2SC2229	239	THYDG75A80-V2	5722	TI413	123A	TI413	123A	TIC44(AQK)	5400
TE13005	51	TF640M	5465	TG2SC2229	239	THYDH75A40-V1	5721	TI414	123A	TI414	5401	TIC45(AQK)	5401
TE13006	339	TF640M	5552#	TG2SC2274	289A	THYDH75A40-V2	5722	TI415	123A	TI415	5401	TIC46(AQK)	5400
TE13007	2312	TF621M	5552#	TG2SC2274E	289A	THYDH75A53-V1	5722	TI415	199	TI415	5719	TIC46S/5719	5400
TE13008	379	TF641M	5554#	TG2SC2274F	289A	THYDH75A53-V2	5722	TI416	123A	TI416	5404	TIC47(AQK)	5404
TE13009	379	TF641S	5440	TG2SC2274F	289A	THYDH75A60-V1	5721	TI416	199	TI416	8407	TIC263D(T0218)	56033
TE13009	379	TF641S	5440	TG2SC2999	107	THYDH75A60-V2	5722	TI417	108	TI417	6406#	TIC263E	56017
TEA1009G	1763	TF681S	5440	TG2SC3398	2399	THYDH75A80-V1	5721	TI417	123A	TI418	6407	TIC263E(T0218)	56033
TEA1009G	1763	TF681S	5440	TG2SC3400	2357	THYDH75A80-V2	5722	TI418	123A	TI418	6406#	TIC263E(T0218)	56033
TEA2017	1887	TF4016AN	4018B	TG2SC3402	2365	THYF75A40-V	5720	TI419	199	TI419	5400	TIC263M(T0218)	56033
TEA2037A	1888	TFH340M	5424#	TG2SC1295O	165	THYF75A53-V	5720	TI420	123A	TI420	5401	TIC263N	56018
TEA5581	7090	TFH401M	5424#	TG2SC1295O-D	165	THYF75A60-V	5720	TI421	123A	TI421	5401	TIC272B	5683
TEA5581N	7090	TFH401MLC	5424#	TG2SD21Y	124	THYF75A80-V	5720	TI421	108	TI421	5404	TIC272D	5685
TEA5582	7116	TFH341S	5424#	TG2SD313	152	THYG75A40-V	5720	TI421	199	TI421	5437	TIC272E	5687
TEA5582N	7116	PK813	558	TG2SD313E	152	THYG75A53-V	5720	TI422	123A	TI422	5437	TIC272M	5687
TEC8012	123AF	TFR1L	575	TG2SD325-1	152	THYG75A60-V	5720	TI422	123A	TI422	5437	TIC106C	5437
TEC8012D	123AF	TFR1N	575	TG2SD325-1	152	THYH75A40-V	5700	TI423	123A	TI423	5437	TIC106D	5677
TEC8012E	123AP	TFR3L	575	TG2SD325-E	152	THYH75A53-V	5700	TI424	123A	TI424	5437	TIC106E	5437
TEC8012F	123AP	TFR3N	575	TG2SD325-E	152	THYH75A60-V	5700	TI424	128	TI424	5437	TIC106F	5437
TEC8012G	123AP	TFR105	125	TG2SD338F	375	THYH75A80-V	5700	TI425	128	TI425	5438	TIC106M	5438
TEC8012H	123AP	TFR110	125	TG2SD388Y-D	375	THYH75A80-V	5700	TI426	123A	TI426	5438	TIC106N	5438
TEC8012I	123AP	TFR120	116	TG2SD388Y-E	375	THA6	123A	TI428	123A	TI428	5437	TIC106Y	5437
TEC8013	123AP	TFR140	125	TG2SD388Y-F	375	TI-1A6	131	TI429	159	TI429	5482	TIC116A	5482
TEC8013D	123AP	TF340M	5424#	TG2SD388Y-G	375	TI-7A	131	TI430	108	TI430	5463	TIC116B	5463
TEC8013E	123AP	TF340M	5424#	TG2SD388Y-E-A	198	TI24A	123A	TI430	108	TI430	5463	TIC116C	5463
TEC8013G	123AP	TG2SA201	126A	TG2SD400E	382	TI24B	123A	TI431	108	TI431	5463	TIC116D	5463
TEC8013H	123AP	TG2SA201-0	126A	TG2SD438E	382	TI25A	109	TI431	108	TI431	5466	TIC116E	5466
TEC8013I	123AP	TG2SA201-0-A	126A	TG2SD438E	382	TI25B	109	TI432	123A	TI432	5461	TIC116F	5461
TEC8013J	123AP	TG2SA201-0-N	126A	TG2SD457E	165	TI25C	54913	TI433	123A	TI433	5486	TIC116M	5486
TEC8013K	123AP	TG2SA201-N	126A	TG2SD612-E	184	TI40A1	54838	TI433	123A</				

Table with 12 columns: To Be Replaced, ECG Replacement, To Be Replaced, ECG Replacement, To Be Replaced, ECG Replacement, To Be Replaced, ECG Replacement, To Be Replaced, ECG Replacement, To Be Replaced, ECG Replacement. Contains various semiconductor part numbers and their equivalents.

When basing of original part differs from ECG replacement, basing for original part is shown in parentheses () after the part number. For example, the 2SA509A(CEB) is replaced by ECG159 which has "ECB" basing.

Table with columns: To Be Replaced, ECG Replacement, To Be Replaced, ECG Replacement, To Be Replaced, ECG Replacement, To Be Replaced, ECG Replacement, To Be Replaced, ECG Replacement. Contains thousands of component replacement entries.

♦, ♠, *, +, - See Special Notes on Page 2-2

Table with 16 columns: To Be Replaced, ECG Replacement, To Be Replaced, ECG Replacement, To Be Replaced, ECG Replacement, To Be Replaced, ECG Replacement, To Be Replaced, ECG Replacement, To Be Replaced, ECG Replacement, To Be Replaced, ECG Replacement, To Be Replaced, ECG Replacement. It lists various semiconductor part numbers and their corresponding ECG replacements.

When basing of original part differs from ECG replacement, basing for original part is shown in parentheses () after the part number. For example, the 2S4509A(EB3) is replaced by ECG159 which has "EB3" basing.

To Be Replaced	ECG Replacement	To Be Replaced	ECG Replacement	To Be Replaced	ECG Replacement	To Be Replaced	ECG Replacement	To Be Replaced	ECG Replacement	To Be Replaced	ECG Replacement		
TR0573491	123A	TR14C	102A	TR94B-3	5655	TR338	103	TR2083-44	601	TR310011	102A	TRA23	160
TR0573507	229	TR15	102A	TR94B-4	5655	TR351	5990	TR2083-70	453	TR310012	102A	TRA-23A	126A
TR0575002	109	TR15C	102A	TR94B-5	5656	TR352	5990	TR2083-71	313	TR310015	100	TRA23A	160
TR0575005	110MPP	TR15C	102A	TR94B-6	5656	TR353	6080	TR2083-72	313	TR310017	102A	TRA-23B	126A
TR1N2326	0BS-NLA	TR16	104	TR95	139A	TR355	313	TR2083-73	313	TR310018	102A	TRA-23E	126A
TR1N4002	116	TR16C	104	TR95(B)	139A	TR357	102	TR2083-74	313	TR310019	160	TRA-24	126A
TR1N6	160	TR16D	121	TR100	5962	TR400	5990	TR2083-75	102	TR310025	160	TRA-24A	126A
TR1R26	160	TR16X2	104MPP	TR103	5990	TR401	116	TR2890	102	TR310026	102A	TRA-24B	126A
TR1R31	108	TR17	190	TR105(Sprague)	199	TR402	5990	TR-2880	116	TR310065	160	TRA24C	160
TR1R33	123A	TR17A	160	TR106(Sprague)	234	TR403	6060	TR3015T	5545	TR310068	160	TRA32	102A
TR1R35	108	TR17C	160	TR107	179	TR422	100	TR4010	199	TR310089	160	TRA-32	102A
TR2A	116	TR18	160	TR112	108	TR482A	100	TR4010-2	123AP	TR310075	102A	TRA33	102A
TR2N390	160	TR18C	160	TR116A	5640	TR-482A	102A	TR4015T	5545	TR310107	102A	TRA-33	102A
TR2N4148	121	TR19C	160	TR116B	5641	TR501	5992	TR4032-2327312	1039	TR310123	160	TRA-34	123A
TR2N4302	102A	TR19	152	TR116D	5642	TR502	5992	TR4033-2327411	1041	TR310124	160	TRA34	123A
TR2N2614C	102A	TR19(PNP/GE)	160	TR116M	5643	TR508	102	TR404-2327411	1041	TR310125	102A	TRA36	123A
TR-2N2641C	102A	TR19(PNP/SIL)	159	TR125B	145A	TR508A	102	TR4104-2327421	720	TR310136	102A	TRA-36	123A
TR2N2650	160	TR19(PWR)	159	TR135A	5645	TR-508A	102A	TR5528	312	TR310139	160	TRA71	5514
TR2N2624	289A	TR19A	159	TR135AA	5645	TR508AN	102A	TR6010	5529	TR310147	160	TRA710	5491
TR-2N2924-18	289A	TR-20	159	TR135AB	5645	TR515T	5541	TR6010X	5529	TR310149	102A	TRA72	5514
TR2N2925-18	123A	TR-20A	159	TR135AD	5645	TR601	123A	TR7010	5531	TR310150	160	TRA72D	5492
TR2N3588	160	TR-21	123A	TR135AM	5645	TR602	599A	TR7010X	5531	TR310153	102A	TRA7A	5515
TR2N3589-3	160	TR-21-B	123A	TR135B	5645	TR650A	102A	TR8001	160	TR310155	160	TRA7D	549A
TR2N3635A-3	159	TR-21C	108	TR135D	5646	TR650B	102	TR9001	160	TR310156	160	TRA105(SCF)	5514
TR2N4079	131H155(CP)	TR-21C	123A	TR135M	5645	TR653A	102A	TR-9002	160	TR310157	160	TRA105D(SCR)	5501
TR2N4248	160	TR-22	123A	TR141A	5645	TR701	160	TR9002	160	TR310158	160	TRA-115	160
TR2N5163	312	TR22	129	TR141B	5645	TR721A	102A	TR9003	160	TR310159	102A	TRA705	5514
TR2N5163A	312	TR22A	129	TR141C	5645	TR722	102	TR9003	160	TR310160	103A	TRA705D	5491
TR2N5163B	312	TR22C	108	TR141D	5645	TR722A	102A	TR9004	108	TR310161	100	TRA1115D	5673
TR2R26	160	TR-22C	123A	TR140A	5645	TR760	100	TR9004	123A	TR310184	102A	TRA1115DM	5673
TR-2R26	160	TR-23	124	TR140B	5645	TR763A	102A	TR9004-4	108	TR310193	160	TRA1125D	5693
TR-2R21	108	TR23	128	TR140D	5645	TR800-2	129	TR9004-4	123A	TR310224	160	TRA1125DM	5693
TR-2F39	108	TR23A	129	TR140M	5645	TR-1000-2	159	TR-9004-5	108	TR310225	102	TRA1135D	5693
TR-2F35	108	TR23C	124	TR141A	5645	TR-1000-3	128	TR-9005	124	TR310227	102A	TRA1135DM	5693
TR2SA680LH	123A	TR23C	124	TR141B	5645	TR-1000-7	102	TR9006	108	TR310243	160	TRA12711	123A
TR2SA680MPP(EGC)	159	TR-24	108	TR141D	5645	TR1000A	159	TR9006	121	TR310281	123A	TRA12215DM	5693
TR2SA680NPP(EGC)	159	TR24	108	TR141M	5645	TR1001	128	TR9006	121	TR310282	160	TRA1225DM	5693
TR2SA680NPP(EGC)	159	TR-24(Philco)	123A	TR142A	5645	TR1002	129	TR9007	102	TR310283	102A	TRA1225DM	5693
TR2SA703	234	TR-25	128	TR142B	5645	TR1003	128	TR9007	102	TR310286	103A	TRA1225DM	5693
TR-2SC367	123A	TR25	128	TR142D	5645	TR1004	129	TR-9007(Fisher)	159	TR310243	123A	TRA1235DM	5693
TR-2SC371	108	TR26	130	TR142M	5645	TR1005	128	TR9007A	159	TR310244	108	TRANS24	7V24
TR2SC371	108	TR-26	130	TR146A	5645	TR1007	130	TR-9010	107	TR310245	123A	TRANS250	16V250
TR2SC372	108	TR-26-1	175	TR146B	5645	TR1007(Transistor)	130	TR9010	5531	TR310246	108	TRAFLC2711	123A
TR-2SC372	108	TR26C	130	TR146C	5645	TR1009	131	TR9010(SCF)	5531	TR310249	108	TRAFLC2711	123A
TR-2SC373	123A	TR26C	130	TR146M	5645	TR1009A	131	TR8010(Transistor)	123A	TR310251	102A	TRAFLC871A	123A
TR2SC373	123A	TR26(PNP)	129	TR147A	5645	TR1011	123A	TR8010X	5531	TR310252	102A	TRAFLC1013	186
TR2SC384	108	TR26(PWR)	152	TR147B	5645	TR1012	129	TR8014	123A	TR310255	102A	TR-BC107B	123A
TR-2SC384	108	TR29	219	TR147D	5645	TR1015T	5542	TR-9014	123A	TR320007	110MP	TR-BC109B	123A
TR-2SC482	128	TR-29	219	TR147M	5645	TR1025	390	TR-9018	181	TR320008	109	TR-BC147B	123AP
TR2SC482	128	TR-30	159	TR150	5696	TR1030	159	TR9018	181	TR320020	116	TRBC147B	123AP
TR2SC535	229	TR30	159	TR151	5988	TR1030-1	159	TR9019	153	TR320022	116	TRBC149C	123AP
TR2SC536E	189	TR-30A	159	TR152	5988	TR1030-2	159	TR9019	153	TR320023	108	TR-BC149C	123A
TR2SC536E	189	TR31	159	TR153	3054	TR1030-2	159	TR9020	109	TR320041	109	TR-BF115	108
TR2SC671	155A	TR-31B	128	TR157(Onson)	158	TR1030-2	159	TR9020	109	TR320043	109	TR-BF184	161
TR2SC735	123A	TR32	194	TR158(Onson)	158	TR1030A	159	TR9021	123A	TR320027	116	TR-BC149C	123A
TR-2SC735	123A	TR33	199	TR159(Onson)	101	TR1031	123A	TR-9021	128	TR330028	140A	TR-C44	100
TR2SC930	229	TR36	181	TR160(Onson)	101	TR1031-1	123AP	TR-9022	190	TR330063	289A	TRC44	100
TR2C1342	229	TR37	218	TR160A	5679	TR1031-2	123AP	TR9022	190	TR3327031	125	TRC44A	100
TR2C1570LH	123A	TR38	108	TR160B	5679	TR1032	159	TR9023	128	TR3327041	116	TRC44	100
TR2C3677	123A	TR-43B	107	TR160C	5679	TR1032-1	129	TR9023	128	TR3327203	103	TRC45	100
TR2D325	102	TR48	129	TR160D	5679	TR1032-2	129	TR9024	160	TR3327203	289A	TRC45	100
TR2D325	102	TR-49	108	TR160E	5679	TR1032-3	129	TR9025	123A	TR3327313	1039	TRC45A	100
TR2D330E	152	TR51	160	TR162(Onson)	123A	TR1032-3	129	TR9025	123A	TR3327333	289A	TRC45A	100
TR2D400E	382	TR52	160	TR163(Onson)	108	TR1032-4	129	TR9025	123A	TR3327363	199	TRC70	102
TR2D400F	382	TR53	100	TR164(Onson)	128	TR1032-5	129	TR9026	159	TR3327393	185	TR-C70	102
TR2D1138	375	TR54	102A	TR165(Onson)	128	TR1032A	159	TR9026A	159	TR3327411	1041	TR-C71	102
TR2K55	312	TR55	100	TR166(Onson)	160	TR1033	123A	TR9027	312	TR3327422	720	TRC71	102
TR-2K55	312	TR56	104	TR167	101	TR-1033-1	123A	TR9028	108	TR3327431	222	TRC72	102
TR-3R26	160	TR57	105	TR167(Onson)	159	TR1033-1	123A	TR9028	108	TR3327431	199	TR-C72	102
TR-3R26	160	TR58	160	TR168(Onson)	126A	TR1033-2	129	TR9029	109	TR3327443	199	TR-CD(Diode)	178MPP
TR-3R31	108	TR59	154	TR169(Onson)	102A	TR1033-2	129	TR9029	109	TR3327574	390	TRC-P4	113A
TR-3R33	108	TR6	165	TR170(Onson)	198	TR1033-3	123A	TR9030	108	TR3327603	184	TRD5442	177
TR-3R35	108	TR69	162	TR171	161	TR1033-4	128	TR9030	123A	TR3327607	194	TR-DTG110	121
TR-3R38	123A	TR71	102A	TR172(Onson)	104	TR1033-5	128	TR9031	108	TR3327723	153	TR-DTG110B	121
TR-4P26	160	TR72	102A	TR174(Onson)	105	TR1033-6	130	TR9031	123A	TR3327733	138A	TR-F1462	312
TR4P26	160	TR-75	142A	TR175(Onson)	124	TR1034	159	TR9032	108	TR3327743	129	TR-F1463	312
TR-4R31	128	TR-76	152	TR176(Onson)	181	TR1034-3	159	TR9034	123A	TR3327841	219	TR-FET-1	312
TR-4R33	123A	TR-77	116	TR178(Onson)	121	TR1034-4	159	TR9034	123A	TR3327852	175	TRAH1151	12378
TR-4R39	5014A	TR82-1	175	TR180(Onson)	175	TR1034-5	159	TR9034	123A	TR3327911	390	TRC1230	789
TR-4R39	159	TR82-2	5655	TR182	101	TR1034A	159	TR9035	123A	TR3327963	5060A	TRP2004	397
TR4S	5008A	TR92-3	5659	TR182(Onson)	185	TR1035-3	81	TR9035	128	TR3327101	142A	TRMBC149E	123AP
TR5P26	102A	TR92-4	5659	TR183	101	TR1035-4	81	TR9036	128	TR3327103	144A	TR-MPF105	351
TR-5P26	102A	TR92-5	5656	TR183(Onson)	127	TR1035-5	81	TR9037	129	TR3327123	137A	TRB41K	524V15
TR-5P31	128	TR92A-1	5655	TR184(Onson)	131	TR1036	179	TR9037	129	TR3327161	112A	TRC31	176
TR-5P33	123A	TR92A-2	5655	TR184(Onson)	131	TR1036-1	1836	TR9038	108	TR3327171	801	TRC1054-7	128
TR-5P35	123A	TR92A-3	5655	TR185(Onson)	159	TR1036-1	1836	TR9039	123A	TR3329026	229	TRC-9004	718
TR-5P38	123A	TR92A-4	5655	TR186(Onson)	162	TR1036-2	1836	TR9039	123A	TR228735045311	108	TRC-	

To Be Replaced	ECG Replacement	To Be Replaced	ECG Replacement	To Be Replaced	ECG Replacement	To Be Replaced	ECG Replacement	To Be Replaced	ECG Replacement	To Be Replaced	ECG Replacement	To Be Replaced	ECG Replacement
TR325MP	198	TS610	121	TSW5065	5405	TT142N1200KOC	5726	TV38	123A	TV3008	6358	TV24617	506
TR350	395	TS612	101	TSW5066	505	TT142N1400KOC	5726	TV38	161	TV3008R	6358	TV24617	506
TR370	396	TS612	121	TSW5069-0	290A	TT142N1600KOC	5726	TV38	123A	TV3008KR	6359	TV24617	506
TR370	396	TS613	104	TT2SA4495-0-A	159	TT162N800KOC	5726	TV39	161	TV3008R	6359	TV24617	506
TR370	396	TS613	121	TT2SA4495-0	290A	TT162N800KOC	5726	TV40	123A	TV3010	6358	TV24617	506
TR370	396	TS614	104	TT2SA4495-0-A	159	TT162N1000KOC	5726	TV41	128	TV3010K	6358	TV24617	506
TR370	396	TS614	121	TT2SA4495-Y	290A	TT162N1200KOC	5726	TV41	128	TV3010KR	6359	TV24617	506
TR370	396	TS615	160	TT2SA4495-Y	290A	TT162N1400KOC	5726	TV42	128	TV3010FR	6359	TV24617	506
TR370	396	TS616	102A	TT2SA495-Y-A	159	TT162N1600KOC	5726	TV43	128	TV3012	6362	TV24617	506
TR370	396	TS616	121	TT2SA817Y	290A	TT170N600KOC	5726	TV44	128	TV3012K	6362	TV24617	506
TR370	396	TS617	102A	TT2SA985-Y	290A	TT170N800KOC	5726	TV44	159	TV3012K	6362	TV24617	506
TR370	396	TS617	153	TT2SA985-Y	290A	TT170N1000KOC	5726	TV45	128	TV3012KR	6362	TV24617	506
TR370	396	TS618	102A	TT2SA1015G	290A	TT170N1200KOC	5726	TV45	128	TV3012KR	6362	TV24617	506
TR370	396	TS618	153	TT2SA950	290A	TT170N1400KOC	5726	TV46	123A	TV3014K	6362	TV24617	506
TR370	396	TS619	158	TT2SC496Y	295	TT170N1600KOC	5726	TV46	123A	TV3014FR	6363	TV24617	506
TR370	396	TS620	160	TT2SC983-0	207	TT204	106	TV47	159	TV3014FR	6363	TV24617	506
TR370	396	TS621	160	TT2SC983-0-A	198	TT204	103	TV47A	159	TV4152	100	TV24985	116
TR370	396	TS622	102A	TT2SC983-0-A	171	TT204A	106	TV48	123A	TV8080	128	TV24987	116
TR370	396	TS623	158	TT2SC983-R	287	TT204A	108	TV48	229	TV24102	108	TV24232	116
TR370	396	TS624	180	TT2SC983-R	198	TT204AB	108	TV49	154	TV24103	112	TV24232	116
TR370	396	TS625	180	TT2SC983-Y	198	TT204AB	108	TV49	191	TV24103A	112	TV24102	110MP
TR370	396	TS626	102A	TT2SC983-Y-A	198	TT204B	108	TV50	161	TV24103B	112	TV24102	110MP
TR370	396	TS627	158	TT2SC1627Y	283A	TT204B	108	TV50	319P	TV24103C	112	TV24102	110MP
TR370	396	TS630	160	TT2SC1815G	85	TT204C	108	TV51	123A	TV24103D	112	TV24102	110MP
TR370	396	TS630	160	TT2SC2296	392	TT204C	106	TV51	128	TV24104	118	TV24107	123A
TR370	396	TS635	5947	TT2SC2453G	85	TT210N600KOC	5726	TV52	123A	TV24104	118	TV24107	123A
TR370	396	TS635FAM	53606	TT2SD843Y	377	TT210N800KOC	5726	TV52	128	TV24110	102A	TV24107	123A
TR370	396	TS635FAM	53606	TT18N400KOC	5710	TT210N1000KOC	5726	TV53	123A	TV24115	102A	TV24107	123A
TR370	396	TS635FAM	53606	TT18N600KOC	5710	TT210N1200KOC	5726	TV53	123A	TV24115	102A	TV24107	123A
TR370	396	TS635FAM	53606	TT18N800KOC	5710	TT210N1400KOC	5726	TV54	161	TV24125	116	TV24107	123A
TR370	396	TS635FAM	53606	TT18N1000KOC	5710	TT210N1600KOC	5726	TV54	233	TV24125	116	TV24107	123A
TR370	396	TS635FAM	53606	TT18N1200KOC	5710	TT210N1800KOC	5726	TV55	106	TV24136	160	TV24107	123A
TR370	396	TS635FAM	53606	TT18N1400KOC	5710	TT250N600KOC	5726	TV55	233	TV24142	127	TV24107	123A
TR370	396	TS635FAM	53606	TT18N1600KOC	5710	TT250N800KOC	5726	TV56	123A	TV24143	108A	TV24107	123A
TR370	396	TS635FAM	53606	TT18N1800KOC	5710	TT250N1000KOC	5726	TV56	108	TV24144	108	TV24107	123A
TR370	396	TS635FAM	53606	TT18N2000KOC	5710	TT250N1200KOC	5726	TV57	107	TV24145	108	TV24107	123A
TR370	396	TS635FAM	53606	TT18N2200KOC	5710	TT250N1400KOC	5726	TV57	107	TV24145	108	TV24107	123A
TR370	396	TS635FAM	53606	TT18N2400KOC	5710	TT250N1600KOC	5726	TV58	107	TV24146	108	TV24107	123A
TR370	396	TS635FAM	53606	TT18N2600KOC	5710	TT250N1800KOC	5726	TV58	107	TV24146	108	TV24107	123A
TR370	396	TS635FAM	53606	TT18N2800KOC	5710	TT250N2000KOC	5726	TV59	128	TV24147	108	TV24107	123A
TR370	396	TS635FAM	53606	TT18N3000KOC	5710	TT250N2200KOC	5726	TV59	128	TV24148	108	TV24107	123A
TR370	396	TS635FAM	53606	TT18N3200KOC	5710	TT250N2400KOC	5726	TV59	128	TV24149	108	TV24107	123A
TR370	396	TS635FAM	53606	TT18N3400KOC	5710	TT250N2600KOC	5726	TV60	123A	TV24150	108	TV24107	123A
TR370	396	TS635FAM	53606	TT18N3600KOC	5710	TT250N2800KOC	5726	TV60	123A	TV24151	108	TV24107	123A
TR370	396	TS635FAM	53606	TT18N3800KOC	5710	TT250N3000KOC	5726	TV61	102	TV24152	127	TV24107	123A
TR370	396	TS635FAM	53606	TT18N4000KOC	5710	TT250N3200KOC	5726	TV61	102	TV24153	127	TV24107	123A
TR370	396	TS635FAM	53606	TT18N4200KOC	5710	TT250N3400KOC	5726	TV61	102	TV24154	127	TV24107	123A
TR370	396	TS635FAM	53606	TT18N4400KOC	5710	TT250N3600KOC	5726	TV62	123A	TV24155	127	TV24107	123A
TR370	396	TS635FAM	53606	TT18N4600KOC	5710	TT250N3800KOC	5726	TV62	123A	TV24156	127	TV24107	123A
TR370	396	TS635FAM	53606	TT18N4800KOC	5710	TT250N4000KOC	5726	TV62	123A	TV24157	127	TV24107	123A
TR370	396	TS635FAM	53606	TT18N5000KOC	5710	TT250N4200KOC	5726	TV63	123A	TV24158	127	TV24107	123A
TR370	396	TS635FAM	53606	TT18N5200KOC	5710	TT250N4400KOC	5726	TV63	123A	TV24159	127	TV24107	123A
TR370	396	TS635FAM	53606	TT18N5400KOC	5710	TT250N4600KOC	5726	TV64	123A	TV24160	127	TV24107	123A
TR370	396	TS635FAM	53606	TT18N5600KOC	5710	TT250N4800KOC	5726	TV64	123A	TV24161	127	TV24107	123A
TR370	396	TS635FAM	53606	TT18N5800KOC	5710	TT250N5000KOC	5726	TV64	123A	TV24162	127	TV24107	123A
TR370	396	TS635FAM	53606	TT18N6000KOC	5710	TT250N5200KOC	5726	TV64	123A	TV24163	127	TV24107	123A
TR370	396	TS635FAM	53606	TT18N6200KOC	5710	TT250N5400KOC	5726	TV64	123A	TV24164	127	TV24107	123A
TR370	396	TS635FAM	53606	TT18N6400KOC	5710	TT250N5600KOC	5726	TV64	123A	TV24165	127	TV24107	123A
TR370	396	TS635FAM	53606	TT18N6600KOC	5710	TT250N5800KOC	5726	TV64	123A	TV24166	127	TV24107	123A
TR370	396	TS635FAM	53606	TT18N6800KOC	5710	TT250N6000KOC	5726	TV64	123A	TV24167	127	TV24107	123A
TR370	396	TS635FAM	53606	TT18N7000KOC	5710	TT250N6200KOC	5726	TV65	159	TV24168	127	TV24107	123A
TR370	396	TS635FAM	53606	TT18N7200KOC	5710	TT250N6400KOC	5726	TV65	159	TV24169	127	TV24107	123A
TR370	396	TS635FAM	53606	TT18N7400KOC	5710	TT250N6600KOC	5726	TV65	159	TV24170	127	TV24107	123A
TR370	396	TS635FAM	53606	TT18N7600KOC	5710	TT250N6800KOC	5726	TV65	159	TV24171	127	TV24107	123A
TR370	396	TS635FAM	53606	TT18N7800KOC	5710	TT250N7000KOC	5726	TV65	159	TV24172	127	TV24107	123A
TR370	396	TS635FAM	53606	TT18N8000KOC	5710	TT250N7200KOC	5726	TV65	159	TV24173	127	TV24107	123A
TR370	396	TS635FAM	53606	TT18N8200KOC	5710	TT250N7400KOC	5726	TV65	159	TV24174	127	TV24107	123A
TR370	396	TS635FAM	53606	TT18N8400KOC	5710	TT250N7600KOC	5726	TV65	159	TV24175	127	TV24107	123A
TR370	396	TS635FAM	53606	TT18N8600KOC	5710	TT250N7800KOC	5726	TV65	159	TV24176	127	TV24107	123A
TR370	396	TS635FAM	53606	TT18N8800KOC	5710	TT250N8000KOC	5726	TV65	159	TV24177	127	TV24107	123A
TR370	396	TS635FAM	53606	TT18N9000KOC	5710	TT250N8200KOC	5726	TV65	159	TV24178	127	TV24107	123A
TR370	396	TS635FAM	53606	TT18N9200KOC	5710	TT250N8400KOC	5726	TV65	159	TV24179	127	TV24107	123A
TR370	396	TS635FAM	53606	TT18N9400KOC	5710	TT250N8600KOC	5726	TV65	159	TV24180	127	TV24107	123A
TR370	396	TS635FAM	53606	TT18N9600KOC	5710	TT250N8800KOC	5726	TV65	159	TV24181	127	TV24107	123A
TR370	396	TS635FAM	53606	TT18N9800KOC	5710	TT250N9000KOC	5726	TV65	159	TV24182	127	TV24107	123A
TR370	396	TS635FAM	53606	TT19N000KOC	5710	TT250N9200KOC	5726	TV65	159	TV2			

Table with 10 columns: To Be Replaced, ECG Replacement, To Be Replaced, ECG Replacement, To Be Replaced, ECG Replacement, To Be Replaced, ECG Replacement, To Be Replaced, ECG Replacement. Contains numerous part numbers and their equivalents.

* , # , @ , + , \$, % - See Special Notes on Page 2-2

Main table with 12 columns: To Be Replaced, ECG Replacement, To Be Replaced, ECG Replacement, To Be Replaced, ECG Replacement, To Be Replaced, ECG Replacement, To Be Replaced, ECG Replacement, To Be Replaced, ECG Replacement. Rows list various semiconductor parts and their ECG equivalents.

When basing of original part differs from ECG replacement, basing for original part is shown in parentheses () after the part number. For example, the 2SA509A(ECB) is replaced by ECG159 which has "EBC" basing.

Table with 15 columns: To Be Replaced, ECG Replacement, To Be Replaced, ECG Replacement, To Be Replaced, ECG Replacement, To Be Replaced, ECG Replacement, To Be Replaced, ECG Replacement, To Be Replaced, ECG Replacement, To Be Replaced, ECG Replacement, To Be Replaced, ECG Replacement. It lists various semiconductor part numbers and their equivalents.

* , # , @ , * , + , \$, † - See Special Notes on Page 2-2

Table with 12 columns: To Be Replaced, ECG Replacement, To Be Replaced, ECG Replacement, To Be Replaced, ECG Replacement, To Be Replaced, ECG Replacement, To Be Replaced, ECG Replacement, To Be Replaced, ECG Replacement. Rows list various semiconductor components and their equivalent part numbers.

When basing of original part differs from ECG replacement, basing for original part is shown in parentheses () after the part number. For example, the 2SA509A(ECB) is replaced by ECG150 which has "ECB" basing.

Table with multiple columns for 'To Be Replaced', 'ECG Replacement', and 'To Be Replaced', 'ECG Replacement' for various part numbers including ULN2125A, ULN2128A, ULN2129A, etc.

♦, ◆, ◎, * , † See Special Notes on Page 2-2

To Be Replaced	ECG Replacement	To Be Replaced	ECG Replacement	To Be Replaced	ECG Replacement	To Be Replaced	ECG Replacement	To Be Replaced	ECG Replacement	To Be Replaced	ECG Replacement	To Be Replaced	ECG Replacement
UPC7805H	960	UPD411A-2	2107	UPD4001BE	4001B	UPD4073	4073B	UPI1611	128	US7445U	74H55	USD745C	6087
UPC7805HF	1960	UPD411A	2107	UPD4001BG	4001B	UPD4075	4075B	UPI1713	128	US7446U	74H60S	USD750C	6086
UPC7806H	1962	UPD411A-1	2107	UPD4001C	4001B	UPD4075BG	4075B	UPJ2217	128	US7446J	74H60S	USD3030C	6090#
UPC7808	964	UPD411A-2	2107	UPD4002	4002B	UPD4078	4078B	UPJ2218	128	US7446A	74H61	USD3040C	6090#
UPC7808AHF	1964	UPD411C	2107	UPD4002BC	4002B	UPD4078B	4078B	UPQ2222	123A	US7446J1	74H61	USD3045C	6090#
UPC7808H	964	UPD411C	2107	UPD4002C	4002B	UPD4078BC	4078B	UPQ2226	123A	US7446A2	74H62	USD7703394	703
UPC7809HF	1964	UPD411C-2	2107	UPD4006	4006B	UPD4078C	4078B	UPQ222P	123A	US7446J2	74H62	USD1	116
UPC7812	960	UPD411D	2107	UPD4011	4011B	UPD4081	4061B	UPI4040	123A	US7447A1	74H71	USD1A	116
UPC7812H	966	UPD411D-1	2107	UPD4011B	4011B	UPD4081BC	4061B	UPI4046-46	123A	US7447J1	74H71	USM6-27	5013SM
UPC7812HA	966	UPD411D-2	2107	UPD4011BC	4011B	UPD4081C	4061B	UPI4047	123A	US7447A2	74H72	USM7-5	5015SM
UPC7812HF	1970	UPD414	2104	UPD4011BCM	4011B	UPD4093BC	4093B	UPI4047-46	123A	US7447J2	74H72	USR1171	5074A
UPC7815	968	UPD414	2104	UPD4011BG	4011B	UPD4093BT	4093B	UPQ318	2321P	US7447A3	74H73	USR1172	5074A
UPC7815H	968	UPD414-1	2104	UPD4011BP	4011B	UPD4094BG	4094B	UPQ3369	2321P	US7447A4	74H73	USR1173	5074A
UPC7815HF	1972	UPD414-1	2104	UPD4011C	4011B	UPD4099	4099B	UPQ3798	2322	US7447A5	74H74	USR1174	5074A
UPC7818	968	UPD414-2	2104	UPD4015	4015B	UPD4099C	4099B	UPQ3799	2322	US7447A6	74H74	UT1	116
UPC7818H	968	UPD414-2	2104	UPD4015BC	4015B	UPD4099BC	4099B	UPQ3930A	2321	US7447A8	74H76	UT12	5802
UPC7819HF	1974	UPD414C	2104	UPD4015B	4015B	UPD4099C	4099B	UPQ3906	2322	US7447B8	74H78	UT13	5802
UPC7824H	972	UPD414C-1	2104	UPD4015C	4015B	UPD4100BC	4015B	UPQ704	2323	US7447B1	74H78	UT14	116
UPC7824HF	1976	UPD414C-1	2104	UPD4015D	4015B	UPD4100B	4015B	UPQ7042	2323	US123EA	5878	UT15	116
UPC7905	961	UPD414C-2	2104	UPD4015E	4015B	UPD4101	2164	UPQ7043	2323	US123GA	5878	UT16	116
UPC7905AHF	1961	UPD414C-2	2104	UPD4015F	4015B	UPD4101-1	2164	UPQ7043	2323	US123HA	5886	UT16	116
UPC7905H	961	UPD414E	2104	UPD4015G	4015B	UPD4101-2	2164	UPQ7043	2323	US123PA	5886	UT17	116
UPC7905HF	1961	UPD414E	2104	UPD4015H	4015B	UPD4101-3	2164	UPQ7043	2323	US123RA	5886	UT17	116
UPC7908	965	UPD414EC	2104	UPD4015I	4015B	UPD4101-4	2164	UPQ7043	2323	US123VA	5890	UT19	116
UPC7908AHF	1965	UPD414EC	2104	UPD4015J	4015B	UPD4101-5	2164	UPQ7043	2323	US1020	519	UT21	116
UPC7908H	965	UPD414F	2104	UPD4015K	4015B	UPD4101-6	2164	UPQ7043	2323	US1035	519	UT22	116
UPC7909	967	UPD414P	2104	UPD4015L	4015B	UPD4101-7	2164	UPQ7043	2323	US1035	519	UT23	116
UPC7912AHF	1971	UPD414P-1	2104	UPD4015M	4015B	UPD4101-8	2164	UPQ7043	2323	US1040	519	UT25	116
UPC7912H	967	UPD414P-2	2104	UPD4015N	4015B	UPD4101-9	2164	UPQ7043	2323	US1060	519	UT26	116
UPC7912HF	1971	UPD414P-2	2104	UPD4015O	4015B	UPD4101-10	2164	UPQ7043	2323	US1060	519	UT27	116
UPC7915H	969	UPD414PE	2104	UPD4016	2128	UPD4101-11	2164	UPQ7043	2323	US1090	519	UT27	116
UPC7915AHF	1973	UPD414PE	2104	UPD4016-1	2128	UPD4101-12	2164	UPQ7043	2323	US1090	519	UT28	116
UPC7915H	969	UPD414E	2104	UPD4016-2	2128	UPD4101-13	2164	UPQ7043	2323	US1090	519	UT29	116
UPC7915HF	1973	UPD414E	2104	UPD4016-3	2128	UPD4101-14	2164	UPQ7043	2323	US1090	519	UT30	116
UPC7918	959	UPD416-1	2117	UPD4016-4	2128	UPD4101-15	2164	UPQ7043	2323	US1090	519	UT31	116
UPC7918AHF	1975	UPD416-1	2117	UPD4016-5	2128	UPD4101-16	2164	UPQ7043	2323	US1090	519	UT32	116
UPC7918H	959	UPD416-2	2117	UPD4016-6	2128	UPD4101-17	2164	UPQ7043	2323	US1090	519	UT33	116
UPC7918HF	1975	UPD416-2	2117	UPD4016-7	2128	UPD4101-18	2164	UPQ7043	2323	US1090	519	UT34	116
UPC7924	971	UPD416C	2117	UPD4016-8	2128	UPD4101-19	2164	UPQ7043	2323	US1090	519	UT35	116
UPC7924AHF	1977	UPD416C	2117	UPD4016-9	2128	UPD4101-20	2164	UPQ7043	2323	US1090	519	UT36	116
UPC7924H	971	UPD416C-1	2117	UPD4016-10	2128	UPD4101-21	2164	UPQ7043	2323	US1090	519	UT37	116
UPC14305	960	UPD418C-1	2117	UPD4016-11	2128	UPD4101-22	2164	UPQ7043	2323	US1090	519	UT38	116
UPC14305H	960	UPD416C-2	2117	UPD4016-12	2128	UPD4101-23	2164	UPQ7043	2323	US1090	519	UT39	116
UPC14305HF	1960	UPD416C-2	2117	UPD4016-13	2128	UPD4101-24	2164	UPQ7043	2323	US1090	519	UT40	116
UPC14306H	962	UPD418D	2117	UPD4016-14	2128	UPD4101-25	2164	UPQ7043	2323	US1090	519	UT41	116
UPC14306H	964	UPD418D-1	2117	UPD4016-15	2128	UPD4101-26	2164	UPQ7043	2323	US1090	519	UT42	116
UPC14306HF	1964	UPD418D-1	2117	UPD4016-16	2128	UPD4101-27	2164	UPQ7043	2323	US1090	519	UT43	116
UPC14312	966	UPD418D-2	2117	UPD4016-17	2128	UPD4101-28	2164	UPQ7043	2323	US1090	519	UT44	116
UPC14312H	966	UPD418E	2154	UPD4016-18	2128	UPD4101-29	2164	UPQ7043	2323	US1090	519	UT45	116
UPC14312HF	1970	UPD418E	2154	UPD4016-19	2128	UPD4101-30	2164	UPQ7043	2323	US1090	519	UT46	116
UPC14315	966	UPD780C	3850	UPD4016-20	2128	UPD4101-31	2164	UPQ7043	2323	US1090	519	UT47	116
UPC14315H	968	UPD780C-1	3850	UPD4016-21	2128	UPD4101-32	2164	UPQ7043	2323	US1090	519	UT48	116
UPC14315HF	1974	UPD780C	3850	UPD4016-22	2128	UPD4101-33	2164	UPQ7043	2323	US1090	519	UT49	116
UPC14318	958	UPD780C-1	3850	UPD4016-23	2128	UPD4101-34	2164	UPQ7043	2323	US1090	519	UT50	116
UPC14318H	958	UPD780C-1	3850	UPD4016-24	2128	UPD4101-35	2164	UPQ7043	2323	US1090	519	UT51	116
UPC14318HF	1974	UPD780C-1	3850	UPD4016-25	2128	UPD4101-36	2164	UPQ7043	2323	US1090	519	UT52	116
UPC14324H	972	UPD881	1254	UPD4016-26	2128	UPD4101-37	2164	UPQ7043	2323	US1090	519	UT53	116
UPC14324HF	1976	UPD881	1254	UPD4016-27	2128	UPD4101-38	2164	UPQ7043	2323	US1090	519	UT54	116
UPC14324H	972	UPD881C	1254	UPD4016-28	2128	UPD4101-39	2164	UPQ7043	2323	US1090	519	UT55	116
UPC14324HF	1976	UPD881C	1254	UPD4016-29	2128	UPD4101-40	2164	UPQ7043	2323	US1090	519	UT56	116
UPC14324H	972	UPD881CE	1254	UPD4016-30	2128	UPD4101-41	2164	UPQ7043	2323	US1090	519	UT57	116
UPC14324HF	1976	UPD881CE	1254	UPD4016-31	2128	UPD4101-42	2164	UPQ7043	2323	US1090	519	UT58	116
UPC16300H	965	UPD861E	1254	UPD4016-32	2128	UPD4101-43	2164	UPQ7043	2323	US1090	519	UT59	116
UPC16300H	965	UPD861E	1254	UPD4016-33	2128	UPD4101-44	2164	UPQ7043	2323	US1090	519	UT60	116
UPC16308H	965	UPD861E	1254	UPD4016-34	2128	UPD4101-45	2164	UPQ7043	2323	US1090	519	UT61	116
UPC16308H	965	UPD861E	1254	UPD4016-35	2128	UPD4101-46	2164	UPQ7043	2323	US1090	519	UT62	116
UPC16308HF	1965	UPD1937C	1759-P	UPD4016-36	2128	UPD4101-47	2164	UPQ7043	2323	US1090	519	UT63	116
UPC16312H	967	UPD1986C	1758	UPD4016-37	2128	UPD4101-48	2164	UPQ7043	2323	US1090	519	UT64	116
UPC16312HF	1971	UPD1986JC	1758	UPD4016-38	2128	UPD4101-49	2164	UPQ7043	2323	US1090	519	UT65	116
UPC16315H	969	UPD1987C	1759	UPD4016-39	2128	UPD4101-50	2164	UPQ7043	2323	US1090	519	UT66	116
UPC16315HF	1973	UPD1987JE	1759	UPD4016-40	2128	UPD4101-51	2164	UPQ7043	2323	US1090	519	UT67	116
UPC16318H	969	UPD1987C	1759	UPD4016-41	2128	UPD4101-52	2164	UPQ7043	2323	US1090	519	UT68	116
UPC16318HF	1975	UPD1987C	1759	UPD4016-42	2128	UPD4101-53	2164	UPQ7043	2323	US1090	519	UT69	116
UPC16324H	971	UPD2102A	2102	UPD4016-43	2128	UPD4101-54	2164	UPQ7043	2323	US1090	519	UT70	116
UPC16324HF	1977	UPD2102A</											

To Be Replaced	ECG Replacement	To Be Replaced	ECG Replacement	To Be Replaced	ECG Replacement	To Be Replaced	ECG Replacement	To Be Replaced	ECG Replacement	To Be Replaced	ECG Replacement	To Be Replaced	ECG Replacement	To Be Replaced	ECG Replacement
UTR3320	590	UZ113	5159A	UZ4730	5141A	UZ8115	5100A	UZP-27B	146A	V10K20	2V020	V682A2	1V040		
UTR3340	590	UZ114	5160A	UZ4733	5142A	UZ8116	5101A	UZP-30B	5084A	V10K25	2V025	V682A3	2V040		
UTR3350	590	UZ115	5161A	UZ4736	5143A	UZ8117	5102A	UZP-33B	147A	V10K30	2V030	V682A4	2V040		
UTR3360	590	UZ116	5162A	UZ4739	5144A	UZ8118	5103A	V01G	125	V10K35	2V035	V78	160		
UTR3370	590	UZ117	5163A	UZ4743	5145A	UZ8119	5104A	V03	125	V10K40	2V040	V78	5809		
UTR3380	587	UZ118	5164A	UZ4747	5146A	UZ8120	5105A	V03C	125	V10K45	2V045	V82A05	1V050		
UTR3390	587	UZ119	5165A	UZ4751	5147A	UZ8121	5096A	V03-C	125	V10K50	2V050	V82A06	1V050		
UTR3400	587	UZ120	5166A	UZ4756	5148A	UZ8122	5151A	V03C	125	V10K60	2V060	V82A07	1V050		
UTZ120	587	UZ210	5156A	UZ4762	5150A	UZ8123	5097A	V03E	125	V10K75	2V075	V82A08	2V050		
UTZ151	5010A	UZ211	5157A	UZ4768	5151A	UZ8124	5098A	V03E (Hiachi)	506	V10K80	2V080	V82A09	2V050		
UTZ151B	5010T1	UZ212	5158A	UZ4775	5152A	UZ8125	5099A	V03E (Midland)	116	V10K95	2V095	V82A10	2V050		
UTZ156	5011A	UZ213	5159A	UZ4782	5153A	UZ8126	5100A	V03E	125	V10K130	2V130	V82B12C	2V050		
UTZ156B	5011T1	UZ214	5160A	UZ4789	5154A	UZ8127	5101A	V03D	125	V10K150	2V150	V100ZAG5	1V060		
UTZ162	5013A	UZ215	5161A	UZ4808	5122A	UZ8128	5102A	V05B	156	V10K200	2V200	V100ZAG6	1V060		
UTZ162B	5013T1	UZ216	5162A	UZ4812	5127A	UZ8129	5103A	V05K11	1V010	V10K300	2V300	V100ZAG7	2V060		
UTZ168	5014A	UZ217	5163A	UZ5110	5156A	UZ8130	5104A	V05K14	1V014	V10K420	2V420	V100ZAG8	2V060		
UTZ182	5016A	UZ218	5164A	UZ5111	5157A	UZ8131	5105A	V05K17	1V017	V11-CA	558	V115	109		
UTZ191	5018A	UZ219	5165A	UZ5112	5158A	UZ8132	5071A	V05K20	1V020	V11J	506	V117	109		
UTZ191B	5019A	UZ220	5166A	UZ5113	5159A	UZ8133	5072A	V05K25	1V025	V11L	506	V118	107		
UTZ191C	5019T1	UZ221	5167A	UZ5114	5160A	UZ8134	5073A	V05K30	1V030	V11M	506	V119	123A		
UTZ210	5020A	UZ222	5168A	UZ5115	5161A	UZ8135	5074A	V05K35	1V035	V11N	506	V120	107		
UTZ211	5020T1	UZ223	5169A	UZ5116	5162A	UZ8136	5075A	V05K40	1V040	V12	612	V120PH	708		
UTZ212	5021A	UZ224	5170A	UZ5117	5163A	UZ8137	5076A	V05K45	1V045	V12A	612	V120RH	128		
UTZ212B	5021T1	UZ225	5171A	UZ5118	5164A	UZ8138	5077A	V05K50	1V050	V13/11	100	V120ZA05	1V075		
UTZ218	5027A	UZ226	5172A	UZ5119	5165A	UZ8139	5078A	V05K60	1V060	V14K11	2V010	V120ZA06	1V075		
UTZ220	5029A	UZ227	5173A	UZ5120	5166A	UZ8140	5079A	V05K75	1V075	V14K14	2V014	V120ZA07	2V075		
UTZ222	5030A	UZ228	5174A	UZ5121	5167A	UZ8141	5080A	V05K95	1V095	V14K17	2V017	V120ZA08	2V075		
UTZ227	5033A	UZ229	5175A	UZ5122	5168A	UZ8142	5081A	V05K130	1V130	V14K20	2V020	V126	145A		
UTZ233	5035A	UZ230	5176A	UZ5123	5169A	UZ8143	5082A	V05K150	1V150	V14K25	2V025	V126	107		
UTZ233B	5035T1	UZ231	5177A	UZ5124	5170A	UZ8144	5083A	V05K175	1V175	V14K30	2V030	V130LA10	1V130		
UTZ239	5038A	UZ232	5178A	UZ5125	5171A	UZ8145	5084A	V05K250	1V250	V14K35	2V035	V130LA2	1V130		
UTZ239B	5038T1	UZ233	5179A	UZ5126	5172A	UZ8146	5085A	V05K275	1V275	V14K40	2V040	V130LA5	2V130		
UUR1510	599	UZ234	5180A	UZ5127	5173A	UZ8147	5086A	V06C (Power Rectifier)	116	V14K50	2V050	V130LA10A	2V130		
UUR1520	599	UZ235	5181A	UZ5128	5174A	UZ8148	5087A	V06C	116	V14K60	2V060	V130LA20A	524V13		
UUR1820CT	6240	UZ236	5182A	UZ5129	5175A	UZ8149	5088A	V06C (Flyback)	558	V14K75	2V075	V130L22C	1V130		
UUR3020CT	6246	UZ237	5183A	UZ5130	5176A	UZ8150	5089A	V06C/S	125	V14K80	2V080	V130L23C	1V130		
UZ-F06	317	UZ238	5184A	UZ5131	5177A	UZ8151	5090A	V06E	125	V14K95	2V095	V130L24C	1V130		
UZ-2.4	5000A	UZ239	5185A	UZ5132	5178A	UZ8152	5091A	V06E (BOOST)	506	V14K130	2V130	V130L25C	25V140		
UZ-2.4A	5000A	UZ240	5186A	UZ5133	5179A	UZ8153	5092A	V06E (Damper)	506	V14K150	2V150	V135	109		
UZ-2.4B	5000A	UZ241	5187A	UZ5134	5180A	UZ8154	5093A	V06E (Hiachi)	506	V14K175	2V175	V150PL	302		
UZ-2.7	5002A	UZ242	5188A	UZ5135	5181A	UZ8155	5094A	V06E (Layettec)	168A	V14K250	2V250	V139	128		
UZ-2.7A	5002A	UZ243	5189A	UZ5136	5182A	UZ8156	5095A	V06G	558	V14K275	2V275	V140	136A		
UZ-2.7B	5002A	UZ244	5190A	UZ5137	5183A	UZ8157	5096A	V06G (Flyback)	558	V14K300	2V300	V143	107		
UZ-3.0	5004A	UZ245	5191A	UZ5138	5184A	UZ8158	5097A	V06G/S	125	V14K420	2V420	V144	124		
UZ-3.0A	5004A	UZ246	5192A	UZ5139	5185A	UZ8159	5098A	V06G	552	V1510DP	2V100	V145	121		
UZ-3.0B	5004A	UZ247	5193A	UZ5140	5186A	UZ8160	5099A	V06G (BOOST)	506	V1520DP	2V100	V146	128		
UZ-3.0C	5005A	UZ248	5194A	UZ5141	5187A	UZ8161	5080A	V06C (Damper)	506	V1520R	2V100	V148	5809		
UZ-3.3	5005A	UZ249	5195A	UZ5142	5188A	UZ8162	5081A	V06C (Hiachi)	506	V15200P	2V100	V150A1	1V150		
UZ-3.3A	5005A	UZ250	5196A	UZ5143	5189A	UZ8163	5082A	V06C (Layettec)	168A	V15200S/VL	116	V150A2	1V150		
UZ-3.3B	5006A	UZ251	5197A	UZ5144	5190A	UZ8164	5083A	V06C	116	V17	116	V150LA5	524V15		
UZ-3.6	5006A	UZ252	5198A	UZ5145	5191A	UZ8165	5084A	V06C/S	125	V17A05	1V010	V150LA10A	524V15		
UZ-3.9	5007A	UZ253	5199A	UZ5146	5192A	UZ8166	5085A	V06C (Flyback)	558	V182A	2V010	V150LA20A	524V15		
UZ-3.9A	5007A	UZ254	5200A	UZ5147	5193A	UZ8167	5086A	V06C/S	125	V182A2	2V010	V150LAX572	524V15		
UZ-3.9B	5007A	UZ255	5201A	UZ5148	5194A	UZ8168	5087A	V06C (FLYBACK)	552	V182A3	2V010	V150L23C	1V150		
UZ-4.3	5008A	UZ256	5202A	UZ5149	5195A	UZ8169	5088A	V06C/S	125	V182B1C	1V010	V150L25C	2V150		
UZ-4.3A	5008A	UZ257	5203A	UZ5150	5196A	UZ8170	5089A	V06E	125	V182B3C	2V010	V160ZAG5	1V095		
UZ-4.3B	5008A	UZ258	5204A	UZ5151	5197A	UZ8171	5090A	V06E	125	V19	552	V150ZA1	1V095		
UZ-4.9	5008A	UZ259	5205A	UZ5152	5198A	UZ8172	5091A	V06G	558	V19B	552	V160ZA4	2V095		
UZ-4.7	5009A	UZ260	5206A	UZ5153	5199A	UZ8173	5092A	V06G (Flyback)	558	V19C	552	V160ZA5	2V095		
UZ-4.7A	5009A	UZ261	5207A	UZ5154	5200A	UZ8174	5093A	V06G/S	125	V19D	552	V181(Benco)	9914		
UZ-4.7B	5009A	UZ262	5208A	UZ5155	5201A	UZ8175	5094A	V06G	558	V19E	552	V181A0	25V150		
UZ4.7BCA	5009A	UZ263	5209A	UZ5156	5202A	UZ8176	5095A	V06J	506	V19E-T52	552	V152	159		
UZ5R68M	5011A	UZ264	5210A	UZ5157	5203A	UZ8177	5096A	V07K11	1V010	V19E	552	V152A	121		
UZ5	5010A	UZ265	5211A	UZ5158	5204A	UZ8178	5097A	V07K14	1V014	V19E-T52	552	V154	128		
UZ-5.1A	5010A	UZ266	5212A	UZ5159	5205A	UZ8179	5098A	V07K17	1V017	V19E-Z	552	V159	312		
UZ5.1B	5011A	UZ267	5213A	UZ5160	5206A	UZ8180	5099A	V07K20	1V020	V19F	552	V160	142A		
UZ-5.6B	5011A	UZ268	5214A	UZ5161	5207A	UZ8181	5090A	V07K25	1V025	V19G	552	V162	159		
UZ-5.6BC	5011A	UZ269	5215A	UZ5162	5208A	UZ8182	5091A	V07K30	1V030	V20K130	524V13	V162A	121		
UZ-5.6B1A	5011A	UZ270	5216A	UZ5163	5209A	UZ8183	5092A	V07K35	1V035	V20K175	524V17	V162B	121		
UZ6R2BKTA	5013A	UZ271	5217A	UZ5164	5210A	UZ8184	5093A	V07K40	1V040	V20K250	524V25	V165	134A		
UZ6R2B	5013A	UZ272	5218A	UZ5165	5211A	UZ8185	5094A	V07K45	1V045	V20K275	524V27	V169	123A		
UZ6.2B	5013A	UZ273	5219A	UZ5166	5212A	UZ8186	5095A	V07K60	1V060	V20K300	524V30	V169P	3025		
UZ-6.2B	5013A	UZ274	5220A	UZ5167	5213A	UZ8187	5096A	V07K75	1V075	V20K420	524V42	V170D	3021		
UZ-6.2BM	5013A	UZ275	5221A	UZ5168	5214A	UZ8188	5097A	V07K95	1V095	UZ22A05	1V014	V171	5809		
UZ-6.8BM	5014A	UZ276	5222A	UZ5169	5215A	UZ8189	5098A	V07K130	1V130	UZ22A1	1V014	V172	125		
UZ-6.8BM	5014A	UZ277	5223A	UZ5170	5216A	UZ8190	5099A	V07K150	1V150	UZ22A2	2V014	V174	138A		
UZ-6.8B1A	5014A	UZ278	5224A	UZ5171	5217A	UZ8191	5100A	V07K175	1V175	UZ22A3	2V014				

To Be Replaced	ECG Replacement	To Be Replaced	ECG Replacement	To Be Replaced	ECG Replacement	To Be Replaced	ECG Replacement	To Be Replaced	ECG Replacement	To Be Replaced	ECG Replacement	To Be Replaced	ECG Replacement
V332X	580	VC321	613	VFC2745F	102A	VHEH233-2/1	5036A	VHITA7130P2	1234	VM328	611	VO-3C	125
V334X	580	VC322	613	VFS4	126A	VHEH28503/1	5070A	VHITA7343AP-1	1657	VM328A	611	VO3C	125
V336X	580	VC332	614	VFS7-45	102A	VHEH28613/1-1	5071A	VHITA7343P	1657	VM328B	611	VO3C-1	125
V330ZA05	1V250	VC333A	614	VFS2745	158	VHEH28613/1-2	5071A	VHITA7347-1	1873	VM328C	611	VO3E	125
V405	108	VC408	610	VFS-2745J	102A	VHEMTZ3R9A	5067A	VHITA7347P	1873	VM334	611	VO-5E	125
V405A	395	VC408A	610	VFS2745J	158	VHEMTZ3R9B-1	5010T1	VHITA7347P-1	1873	VM334A	611	VO-6A	116
V409	152	VC409	611	VFS-1A	119	VHEMTZ3R9B-2	5011T1	VHITA7348P-1	1826	VM335	611	VO6B	116
V410	159	VC409A	611	VFS-3D1A	506	VHEMTZ3R9C-1	5011T1	VHITA78053-1	1960	VM335A	611	VO-6C	116
V410A	159	VC410	611	VFT-2745H	102A	VHEMTZ3R9C-2	5013T1	VHITA7809S-1	1966	VM604	613	VO8-C	116
V413	6408	VC410A	611	VFU2746B	121	VHEMTZ3R9C-3	5013T1	VHITA7812E	1970	VM604A	613	VO6C	116
V413K	6408	VC421	613	VFU-2746B	121	VHEMTZ3R9C-4	5071A	VHITA7812S-1	1970	VM505	613	VO6CS	116
V413N	6407	VC421A	613	VFL6525B	121	VHEMTZ3R9C-5	5071A	VHITA7812S-2	7067	VM505A	613	VO6E	116
V413M	6407	VC422	613	VFW2745D	160	VHEMTZ3R9A-1	139A	VHITA75339P-1	834	VM510	613	VO6G	116
V413N	6408	VC422A	613	VFW-2745D	126A	VHEMTZ33C0D	5036A	VHITA75558S	1529	VM510A	613	VO-9C	552
V415	108	VC422A	613	VFY-2745E	100	VHEMTZ3100A	5019T1	VHITA75558S-1	1529	VM511	613	VO9C	552
V417	108	VC432A	614	VG310	611	VHEMTZ3100C	5019A	VHITA78010AP1	1932	VM511A	613	VO-9E	552
V420LA10	2V420	VC433	614	VG310A	611	VHEMTZ3101A	5074A	VHITC0481BP-1	4081B	VM516	613	VO9E	552
V420LA20A	2V420	VC433A	614	VG322	613	VHEMTZ3130A	143A	VHITC4001BP-1	4001B	VM516A	613	VOCG	558
V420LA40A	2V442	VC433A	614	VG322A	613	VHEMTZ3130B-1	143A	VHITC4011BP-1	4011B	VM517	613	VOCG	116
V420LA40B	2V442	VC810	611	VG333	614	VHEMTZ3130C-1	143A	VHITC4013BP-1	4013B	VM517A	613	VP12505	532
V421DA40	25V420	VC810A	611	VH048	5312	VHEMTZ3130D-1	5074A	VHITC4027BP-1	4027B	VM522	613	VP12510	532
V430ZA05	1V275	VC811A	611	VH048	5312	VHEFL447EC-1	5009A	VHITC4028BP-1	4028B	VM522A	613	VP12520	532
V435	108	VC812	612	VH1AN301	1446	VHERD5R1J2-1	5010A	VHITC4030BP-1	4030B	VM523	613	VP12540	532
V435A	159	VC812A	612	VH1AN6300	1412	VHERD5R1J2-2	5010A	VHITC4032BP-1	4032B	VM523A	613	VP12560	532
V442	116	VC813	612	VH1AN6341	1425	VHERD5R1J2-3	5010T1	VHITC4052BP-1	4052B	VM528	613	VP12580	532
V442	116	VC813A	612	VH1AN6342	1427	VHERD5R1J2-4	5010T1	VHITC4066BP-1	4066B	VM528A	613	VP12610	532
V470ZA05	1V300	VC822	613	VH1HD1042P	4042B	VHERD5R1J2-5	5011T1	VHITC4514BP-1	4514B	VM529	613	VP12505	532
V480LA20A	2V480	VC822A	613	VH1LA7018/1	1781	VHERD6R2J2-1	5013A	VHITC4528BP-1	4528B	VM529A	613	VP12510	532
V480LA30A	2V480	VC823	614	VH1S2399WE-1	613	VHERD6R2J2-2	5072A	VHITC4528BP-2	4528B	VM530	613	VP12520	532
V480LA40A	2V480	VC823A	614	VH1LFD406B-1	4066B	VHERD6R2J2-3	5072A	VHITD4766/1	7051	VM534A	613	VP12540	532
V480LA80B	2V480	VC833	614	VH29C2611/1-1	157	VHERD6R2J2-4	5072A	VHITD4766/1	7052	VM535	613	VP12560	532
V480LA40C	2V480	VC833A	614	VH25F1422/1F	230	VHERD6R2J2-5	5018A	VHITD48305A-1	7047	VM535A	613	VP12580	532
V480LB90C	52V480	VC834	614	VH310	611	VHERD9R1J2-1	139A	VHITAE5582/1	7116	VM604	614	VP125100	532
V500	5966	VC834A	614	VH12	612	VHERD27ED/1	146A	VHITL489CP/1	1505	VM604A	614	VR04B	229
V500R	5967	VC835	611	VH33	614	VHERD160B/1-1	5025A	VHITL489CP/1	1505	VM605	614	VR18	229
V510LA40A	2V480	VC822A	611	VH146	5312	VHERD160B/2-1	5025A	VHIU4558C-1	778A	VM605A	614	VR1D	229
V510LA40B	2V480	VC823A	612	VH247	5313	VHERD240J2-1	5031A	VHIU4558C-2	928M	VM610	614	VR1E	229
V511DA40	25V110	VC827	614	VH246	5313	VHETK1412H	1817	VHIU4558C-3	17145	VM610A	614	VR1G	229
V532P	3170	VC827A	614	VH448	5314	VHETK1412H	1817	VHIUPC1373A/1	1745	VM611A	614	VR1H(NoBase)	229
V533P	3171	VC841	610	VH647	5315	VHEW2-100/1F	5019A	VHIUPC1391H-1	1668	VM611B	614	VR2D	552
V541P	3172	VC841A	610	VH648	5315	VHEW2-100/1F	5019A	VHIUPC1391H-2	1668	VM616	614	VR5	6A
V542P	3173	VC820	611	VH848	5316	VHEW2-100/1F	5019A	VHIUPC1406HA-1	1792	VM616A	614	VR5 6A	136A
V543P	3174	VC831	611	VH910	612	VHEW2-100/1E	5096A	VHIUPC1486C	7019	VM617	614	VR5 6B	136A
V600	5966	VC831A	611	VH912	612	VHEW2-100/1F(100 vol)	5066A	VHIUPC1486C-1	7019	VM617A	614	VR6 2B	137A
V600H	5967	VC830011	1711	VH933	614	VHEW2-100/1F	5066A	VHIUPC1513H	1787	VM622	614	VR6 2E	137A
V622E	3121	VC84A/1-1	109	VH1048	5314	VHEW2-100/1F	5066A	VHIUPC1513H-1	1787	VM622A	614	VR6 2B	137A
V622PY	3131	VC827	614	VH1048	5314	VHEW2-100/1F	5066A	VHIUPC1486B-1	4086B	VM622B	614	VR6 6B	507A
V623P	3130	VC827A	614	VH1048	5314	VHEW2-100/1F	5066A	VHIUPD4066B-1	4086B	VM623A	614	VR6 6B	507A
V630PG	103	VD10E1LF	116	VH1048	5314	VHEX2-090-1	139A	VHIVD14042P	4042B	VM628	614	VR7 5A	138A
V654	193	VD12	109	VH1048	5314	VHEX2-090-2	509A	VHIVD14042P-1	4042B	VM628A	614	VR7 5B	138A
V655	193	VD13	109	VH1048	5314	VHFI1207-1	177	VHPLG5N37B-1	3024	VM629	614	VR8 1A	5072A
V741	193	VD12-12C	116	VH1048	5314	VH74L542/1	74L542	VHPGL5P66	3022	VM629A	614	VR8 2A	5072A
V745	129	VD120	601	VH1048	5314	VH74L542/2	74L542	VHSP4M/1E	5457	VM634	614	VR8 2B	5072A
V761	129	VD121	601	VH1048	5314	VH74L542/3	74L542	VHSP4M/2E	5457	VM634A	614	VR8 2E	5072A
V763	159	VD122	601	VH1048	5314	VH74L542/4	74L542	VHSSP4566/1E	5402	VM634A	614	VR8B	139A
V785	129	VD1122	601	VH1048	5314	VH74L542/5	74L542	VHSSP4566/2E	5402	VM635A	614	VR9 1	139A
V800R	5967	VD1122-1	601	VH1048	5314	VH74L542/6	74L542	VHSSP4566/3E	5402	VM635A	614	VR9 1A	139A
V910	611	VD1124	601	VH1048	5314	VH74L542/7	74L542	VHSSP4566/4E	5402	VM635A	614	VR9 1B	139A
V910A	611	VD1124	601	VH1048	5314	VH74L542/8	74L542	VHSSP4566/5E	5402	VM635A	614	VR9 1C	139A
V912	612	VD1127	601	VH1048	5314	VH74L542/9	74L542	VHSSP4566/6E	5402	VM635A	614	VR9 1D	139A
V912A	612	VD1129	601	VH1048	5314	VH74L542/10	74L542	VHSSP4566/7E	5402	VM635A	614	VR9 1E	139A
V933	614	VD1150	601	VH1048	5314	VH74L542/11	74L542	VHSSP4566/8E	5402	VM635A	614	VR9 1F	139A
V933A	614	VD1150M	601	VH1048	5314	VH74L542/12	74L542	VHSSP4566/9E	5402	VM635A	614	VR9 1G	139A
V1112	177	VD1210	605A	VH1048	5314	VH74L542/13	74L542	VHSSP4566/10E	5402	VM635A	614	VR9 1H	139A
V1266	145A	VD1210-1	605A	VH1048	5314	VH74L542/14	74L542	VHSSP4566/11E	5402	VM635A	614	VR9 1I	139A
V160E-1	312	VD1211	605A	VH1048	5314	VH74L542/15	74L542	VHSSP4566/12E	5402	VM635A	614	VR9 1J	139A
V165E-1	312	VD1212	605A	VH1048	5314	VH74L542/16	74L542	VHSSP4566/13E	5402	VM635A	614	VR9 1K	139A
V1833E	312	VD1213	605A	VH1048	5314	VH74L542/17	74L542	VHSSP4566/14E	5402	VM635A	614	VR9 1L	139A
V3074A20	116	VD1220	605A	VH1048	5314	VH74L542/18	74L542	VHSSP4566/15E	5402	VM635A	614	VR9 1M	139A
V3074A21	116	VD1220-M	605A	VH1048	5314	VH74L542/19	74L542	VHSSP4566/16E	5402	VM635A	614	VR9 1N	139A
V-8634 3	112	VD1221	605A	VH1048	5314	VH74L542/20	74L542	VHSSP4566/17E	5402	VM635A	614	VR9 1O	139A
V946-4	116	VD1222	605A	VH1048	5314	VH74L542/21	74L542	VHSSP4566/18E	5402	VM635A	614	VR9 1P	139A
V10158	116	VD1221L	605A	VH1048	5314	VH74L542/22	74L542	VHSSP4566/19E	5402	VM635A	614	VR9 1Q	139A
V10818-3	109	VD1221-1	605A	VH1048	5314	VH74L542/23	74L542	VHSSP4566/20E	5402	VM635A	614	VR9 1R	139A
V-10913-6	109	VD1260M	601	VH1048	5314	VH74L542/24	74L542	VHSSP4566/21E	5402	VM635A	614	VR9 1S	139A
V1189-1	116	VD1271ME	519	VH1048	5314	VH74L542/25	74L542	VHSSP4566/22E	5402	VM635A	614	VR9 1T	139A
V15920	116	VD1272LE	519	VH1048	5314	VH74L542/26	74L542	VHSSP4566/23E	5402	VM635A	614	VR9 1U	139A
V50260-10	177	VHD1272ME	519	VH1048	5314	VH74L542/27	74L542	VHSSP4566/24E	5402	VM635A	614	VR9 1V	139A
V50260-16	109	VD-S-7-013626-001	519	VH1048	5314	VH74L542/28	74L542	VHSSP4566/25E	5402	VM635A	614	VR9 1W	139A
V50260-22	109	VE18	5304	VH1048	5314	VH74L542/29	74L542	VHSSP4566/26E	5402	VM635A	614	VR9 1X	139A
V50260-35	177	VE18B	5304	VH1048	5314	VH74L542/30	74L542	VHSSP4566/27E	5402	VM635A	614	VR9 1Y	139A
V50260-36	177	VE27	5304	VH1048	5314	VH74L542/31	74L542	VHSSP4566/28E	5402	VM635A	614	VR9 1Z	139A
V587710393	910	VE47	5304	VH1048	5314	VH74L542/32	74L542	VHSSP4566/29E	5402	VM635A	614	VR9 1A	139A
VA127	614	VE48	5304	VH1048	5314	VH74L							

Table with 16 columns: To Be Replaced, ECG Replacement, To Be Replaced, ECG Replacement, To Be Replaced, ECG Replacement, To Be Replaced, ECG Replacement, To Be Replaced, ECG Replacement, To Be Replaced, ECG Replacement, To Be Replaced, ECG Replacement, To Be Replaced, ECG Replacement. Rows list various semiconductor part numbers and their equivalents.

* , # , @ , * , + , \$ - See Special Notes on Page 2-2

To Be Replaced	ECG Replacement	To Be Replaced	ECG Replacement	To Be Replaced	ECG Replacement	To Be Replaced	ECG Replacement	To Be Replaced	ECG Replacement	To Be Replaced	ECG Replacement	To Be Replaced	ECG Replacement
W02	5904	W4DC40D	5710	W1414	123A	W0851	519	WL330	147A	WM115D	5074A	WN061A	137A
W02F	5904	W4DC40M	5710	W1415	123A	WG1010	177	WL330A	147A	WM120	142A	WN061B	137A
W02G	5904	W4DC40N	5710	W1416	123A	WG1010A	177	WL330B	147A	WM120A	142A	WN061C	137A
W02L	5304	W4DC40PB	5710	W1417	123A	WG1010B	177	WL330C	147A	WM120B	142A	WN061D	137A
W02M	5904	W4DC40PB	5710	W1418	123A	WG1010C	177	WL330D	147A	WM120C	142A	WN061E	137A
W02N	5904	W4DC40PB	5710	W1419	123A	WG1010D	177	WL330E	147A	WM120D	142A	WN061F	137A
W03A	116	W4DC55D	5710	W1420	289A	WG1010E	177	WL340	147A	WM120E	142A	WN061G	137A
W03B	116	W4DC55E	5710	W1502	159	WG1010F	177	WL340A	147A	WM121	143A	WN062A	137A
		W4DC55M	5710	W1503	199	WG1012	177	WL340B	147A	WM125A	143A	WN063C	137A
W03BT	552	W4DC55N	5710	W1600	123A	WG1012	177	WL340C	147A	WM125B	143A	WN063D	137A
W03C	116	W4DC55P	5710	W1602	123	WG1012A	177	WL340D	147A	WM125C	143A	WN063E	137A
W04	5904	W4DC55PB	5710	W1603	123	WG1012B	177	WL340E	147A	WM125D	143A	WN063F	137A
W04A	5904	W4DC90D	5720	W1604	123	WHE981ZZ03	552	WM050A	35A	WM130	143A	WN063G	137A
W04F	5904	W4DC90M	5720	W1702	123	WHE981ZZ12	552	WM050B	35A	WM130A	143A	WN063H	137A
W04G	5904	W4DC90N	5720	W1704	123	WIE	220	WM050C	35A	WM130B	143A	WN063I	137A
W04L	5304	W4DC90P	5720	W1800	130	WK5457	105	WM050D	35A	WM130C	143A	WN063J	137A
W04M	5904	W4DC90PB	5720	W1801	130	WK5457(FET)	457	WM050E	35A	WM130D	143A	WN063K	137A
				W1802	245	WK5458	105	WM052A	35A	WM140	144A	WN071B	138A
W-04M	5904	W5	104	W1803	789	WK5458(FET)	457	WM052B	35A	WM140A	144A	WN071C	138A
W-06	5905	W7	106	W1804	243	WK5459	105	WM052C	35A	WM140B	144A	WN071D	138A
W06	5905	W8	108	W1901	219	WK5460	105	WM052D	35A	WM140C	144A	WN071E	138A
W06A	116	W9	123	W2000	312	WKT2500A	5728	WM052E	35A	WM140D	144A	WN071F	138A
W06A-Z	116	W9MP	121MP	W2000(Organ)	461	WKT2500B	5728	WM054A	36A	WM150	145A	WN073B	138A
W06-B	116	W10	123	W2001	461	WKT2500C	5728	WM054B	36A	WM150A	145A	WN073C	138A
W06B	116	W-10	5307	W2001(Organ)	461	WKT2500D	5728	WM054C	36A	WM150B	145A	WN073D	138A
W06C	116	W10F	5307	W2001P	5641*	WKT25010	5728	WM054D	36A	WM150C	145A	WN073E	138A
W06F	5905	W10G	5307	W2010	6400B	WKT25012	5728	WM056	36A	WM150D	145A	WN075A	138A
W06G	5305	W10L	5307	W2011	6400E	WKT25014	5728	WM056A	36A	WM150E	145A	WN075B	138A
W06L	5306*	W10M	5307	W2020	6408	WKT25016	5728	WM056B	36A	WM157A	5075A	WN075C	138A
W06M	5305	W-10M	5307	W2021	5635	WL005F	5304	WM056C	36A	WM157B	5075A	WN075D	138A
W-06M	5305	W2031	160	W2022	5433	WL01	5304	WM056D	36A	WM157C	5075A	WN075E	138A
W07.5	5015A	W12	160	W2031	5402	WL01	5304	WM058	36A	WM157D	5075A	WN077A	138A
W08	5306	W13	127	W2032	5457	WL01	5304	WM058A	36A	WM162	5075A	WN077B	138A
		W14	128	W2033	5515	WL01F	5304	WM058B	36A	WM162A	5075A	WN077C	138A
W-08	5306	W15	129	W2058	5402	WL02F	5304	WM058C	36A	WM162B	5075A	WN077D	138A
W08F	5306	W16	130	W2175	5463	WL02M	5304	WM058D	36A	WM162C	5075A	WN077E	138A
W08G	5306	W16MP	130MP	W2200	2451246(CP)	WL04F	5304	WM061	37A	WM162D	5075A	WN079	5072A
W08L	5307*	W17	131	W2201	180219(CP)	WL04M	5304	WM061A	37A	WM162E	5075A	WN079A	5072A
W08M	5306	W17MP	131MP	W2202	2431244(CP)	WL04M	5304	WM061B	37A	WM162F	5075A	WN079B	5072A
W-08M	5306	W18	132	W2244	5094	WL06M	5305	WM061C	37A	WM162G	5075A	WN079C	5072A
W08C	5306	W19	153	W4002	116	WL08F	5306	WM061D	37A	WM162H	5075A	WN079D	5072A
W010M	5307	W20	123A	W4002	116	WL08F	5306	WM061E	37A	WM162I	5075A	WN079E	5072A
W0-61	137A	W21	159	W4002	116	WL08F	5306	WM061F	37A	WM162J	5075A	WN079F	5072A
W0-61	137A	W22	160	W4002	116	WL08F	5306	WM061G	37A	WM162K	5075A	WN079G	5072A
W075	5015A	W22	160	W4002	116	WL08F	5306	WM061H	37A	WM162L	5075A	WN079H	5072A
W1	100	W23	161	W4002	116	WL08F	5306	WM061I	37A	WM162M	5075A	WN079I	5072A
W1A	312	W24	123A	W4002	116	WL08F	5306	WM061J	37A	WM162N	5075A	WN079J	5072A
W1E	220	W25	156	W4002	116	WL08F	5306	WM061K	37A	WM162O	5075A	WN079K	5072A
W1F	17	W26	157	W4002	116	WL08F	5306	WM061L	37A	WM162P	5075A	WN079L	5072A
		W27	165	W4002	116	WL08F	5306	WM061M	37A	WM162Q	5075A	WN079M	5072A
W1F(Diode)	177	W28	154	W4002	116	WL08F	5306	WM061N	37A	WM162R	5075A	WN079N	5072A
W1F(SCR)	524	W29	107	W4002	116	WL08F	5306	WM061O	37A	WM162S	5075A	WN079O	5072A
W1U	222	W50	130	W4002	116	WL08F	5306	WM061P	37A	WM162T	5075A	WN079P	5072A
W1U-1	222	W55	148A	W4002	116	WL08F	5306	WM061Q	37A	WM162U	5075A	WN079Q	5072A
W1W	5444	W65	129	W4002	116	WL08F	5306	WM061R	37A	WM162V	5075A	WN079R	5072A
W2	101	W98	123A	W4002	116	WL08F	5306	WM061S	37A	WM162W	5075A	WN079S	5072A
W2A50C	5703	W100	7473	W4002	116	WL08F	5306	WM061T	37A	WM162X	5075A	WN079T	5072A
W2A50E	5703	W101	123A	W4002	116	WL08F	5306	WM061U	37A	WM162Y	5075A	WN079V	5072A
W2BC25C	5700	W103	123A	W4002	116	WL08F	5306	WM061V	37A	WM162Z	5075A	WN079W	5072A
W2BE25E	5700	W103-254(Zenith)	116	W4002	116	WL08F	5306	WM061W	37A	WM162AA	5075A	WN079X	5072A
W2BE25E	5700	W104	123A	W4002	116	WL08F	5306	WM061X	37A	WM162AB	5075A	WN079Y	5072A
W2BE125C	5702	W107	123A	W4002	116	WL08F	5306	WM061Y	37A	WM162AC	5075A	WN079Z	5072A
W2BE125E	5702	W110	5304	W4002	116	WL08F	5306	WM061Z	37A	WM162AD	5075A	WN079AA	5072A
W2BE125E	5702	W111	5304	W4002	116	WL08F	5306	WM061A	38A	WM162AE	5075A	WN079AB	5072A
W2BE125E	5701	W112	130	W4002	116	WL08F	5306	WM061B	38A	WM162AF	5075A	WN079AC	5072A
W2BE125E	5701	W126	269A	W4002	116	WL08F	5306	WM061C	38A	WM162AG	5075A	WN079AD	5072A
		W143	123A	W4002	116	WL08F	5306	WM061D	38A	WM162AH	5075A	WN079AE	5072A
W2BK25C	5701	W148	123A	W4002	116	WL08F	5306	WM061E	38A	WM162AI	5075A	WN079AF	5072A
W2	102A	W153	139	W4002	116	WL08F	5306	WM061F	38A	WM162AJ	5075A	WN079AG	5072A
W3	103	W159	160	W4002	116	WL08F	5306	WM061G	38A	WM162AK	5075A	WN079AH	5072A
W4	103A	W167	1111B	W4002	116	WL08F	5306	WM061H	38A	WM162AL	5075A	WN079AI	5072A
W4-7	346	W170	7400	W4002	116	WL08F	5306	WM061I	38A	WM162AM	5075A	WN079AJ	5072A
W4-14	348	W1700	7408	W4002	116	WL08F	5306	WM061J	38A	WM162AN	5075A	WN079AJ	5072A
W4-21	347	W17003	7474	W4002	116	WL08F	5306	WM061K	38A	WM162AO	5075A	WN079AK	5072A
W4-28	345	W17004	7404	W4002	116	WL08F	5306	WM061L	38A	WM162AP	5075A	WN079AL	5072A
W4D45C	6220	W17005	7410	W4002	116	WL08F	5306	WM061M	38A	WM162AQ	5075A	WN079AM	5072A
W4D45D	6220	W17006	7411	W4002	116	WL08F	5306	WM061N	38A	WM162AR	5075A	WN079AN	5072A
W4D45M	6220	W17007	7412	W4002	116	WL08F	5306	WM061O	38A	WM162AS	5075A	WN079AO	5072A
W4D45N	6220	W17008	7413	W4002	116	WL08F	5306	WM061P	38A	WM162AT	5075A	WN079AP	5072A
W4D45PB	6220	W17009	7414	W4002	116	WL08F	5306	WM061Q	38A	WM162AU	5075A	WN079AQ	5072A
W4D80C	6230	W17010	2043S	W4002	116	WL08F	5306	WM061R	38A	WM162AV	5075A	WN079AR	5072A
W													

Table with 16 columns: To Be Replaced, ECG Replacement, To Be Replaced, ECG Replacement, To Be Replaced, ECG Replacement, To Be Replaced, ECG Replacement, To Be Replaced, ECG Replacement, To Be Replaced, ECG Replacement, To Be Replaced, ECG Replacement, To Be Replaced, ECG Replacement. Contains numerous semiconductor part numbers and their equivalents.

♦, #, @, +, §, † - See Special Notes on Page 2-2

Table with 12 columns: To Be Replaced, ECG Replacement, To Be Replaced, ECG Replacement, To Be Replaced, ECG Replacement, To Be Replaced, ECG Replacement, To Be Replaced, ECG Replacement, To Be Replaced, ECG Replacement. Rows list various semiconductor part numbers and their equivalents.

When basing of original part differs from ECG replacement, basing for original part is shown in parentheses () after the part number. For example, the 2SA509A(ECB) is replaced by ECG159 which has "EBC" basing.

To Be Replaced	ECG Replacement	To Be Replaced	ECG Replacement	To Be Replaced	ECG Replacement	To Be Replaced	ECG Replacement	To Be Replaced	ECG Replacement	To Be Replaced	ECG Replacement	To Be Replaced	ECG Replacement
WV-081C	5072A	WV-240C	5081A	WW-092A	139A	WX-340D	147A	WX-120C	142A	WY-063B	137A	WY-172	5077A
WV-081D	5072A	WV-250C	5081A	WW-092B	139A	WX-8270-37	123	WX-120D	142A	WY-063C	137A	WY-172A	5077A
WV-083	5072A	WV-250	5081A	WW-082C	139A	WX-050	135A	WX-125	143A	WY-063D	137A	WY-172B	5077A
WV-083A	5072A	WV-250A	5081A	WW-092D	139A	WX-050A	135A	WX-125A	143A	WY-065	137A	WY-172C	5077A
WV-083B	5072A	WV-250C	5081A	WW-094	139A	WX-050B	135A	WX-125B	143A	WY-065A	137A	WY-172D	5077A
WV-083C	5072A	WV-250C	5081A	WW-094A	139A	WX-050C	135A	WX-125C	143A	WY-065B	137A	WY-177	5077A
WV-083D	5072A	WV-250D	5081A	WW-094B	139A	WX-050D	135A	WX-125D	143A	WY-065C	137A	WY-177A	5077A
WV-085	5072A	WV-260	146A	WW-094C	139A	WX-052	135A	WX-143A	144A	WY-065D	137A	WY-177B	5077A
WV-085A	5072A	WV-260A	146A	WW-094D	139A	WX-052A	135A	WX-130A	143A	WY-071	138A	WY-177C	5077A
WV-085B	5072A	WV-260C	146A	WW-095	140A	WX-052C	135A	WX-130C	143A	WY-071B	138A	WY-182	5077A
WV-085D	5072A	WV-260D	146A	WW-095A	140A	WX-052D	135A	WX-130D	143A	WY-071C	138A	WY-182A	5077A
WV-088	139A	WV-270	146A	WW-095B	140A	WX-054	136A	WX-140	144A	WY-071D	138A	WY-182B	5077A
WV-088A	139A	WV-270A	146A	WW-095C	140A	WX-054A	136A	WX-140A	144A	WY-073	138A	WY-182C	5077A
WV-088B	139A	WV-270B	146A	WW-095D	140A	WX-054B	136A	WX-140B	144A	WY-073A	138A	WY-182D	5077A
WV-088C	139A	WV-270C	146A	WW-100A	140A	WX-054C	136A	WX-140C	144A	WY-073B	138A	WY-230	5081A
WV-088D	139A	WV-270D	146A	WWW-100B	140A	WX-054D	136A	WX-140D	144A	WY-073C	138A	WY-230A	5081A
WV-090	139A	WV-280	5084A	WWW-100C	140A	WX-055	136A	WX-150	145A	WY-073D	138A	WY-230B	5081A
WV-090A	139A	WV-280A	5084A	WWW-100D	140A	WX-055A	136A	WX-150A	145A	WY-075	138A	WY-230C	5081A
WV-090B	139A	WV-290B	5084A	WWW-110	5074A	WX-055B	136A	WX-150B	145A	WY-075A	138A	WY-230D	5081A
WV-090C	139A	WV-290C	5084A	WWW-110A	5074A	WX-055C	136A	WX-150C	145A	WY-075B	138A	WY-240	5081A
WV-090D	139A	WV-290D	5084A	WWW-110B	5074A	WX-055D	136A	WX-150D	145A	WY-075C	138A	WY-240A	5081A
WV-092	139A	WV-300	5084A	WWW-110C	5074A	WX-055E	136A	WX-157	5075A	WY-075D	138A	WY-240B	5081A
WV-092A	139A	WV-300A	5084A	WWW-110D	5074A	WX-058	136A	WX-157A	5075A	WY-077	138A	WY-240C	5081A
WV-092B	139A	WV-300B	5084A	WWW-115	142A	WX-058A	136A	WX-157B	5075A	WY-077A	138A	WY-250	5081A
WV-092C	139A	WV-300C	5084A	WWW-115A	142A	WX-058B	136A	WX-157C	5075A	WY-077B	138A	WY-250B	5081A
WV-092D	139A	WV-300D	5084A	WWW-115B	142A	WX-058C	136A	WX-157D	5075A	WY-077C	138A	WY-250C	5081A
WV-094	139A	WV-310	147A	WWW-115C	142A	WX-058D	136A	WX-157E	5075A	WY-077D	138A	WY-250D	5081A
WV-094A	139A	WV-310A	147A	WWW-115D	142A	WX-061	157A	WX-162A	5075A	WY-079	5072A	WY-260	146A
WV-094B	139A	WV-310B	147A	WWW-120	142A	WX-061A	137A	WX-162B	5075A	WY-079A	5072A	WY-260A	146A
WV-094C	139A	WV-310C	147A	WWW-120A	142A	WX-061B	137A	WX-162C	5075A	WY-079B	5072A	WY-260B	146A
WV-094D	139A	WV-310D	147A	WWW-120B	142A	WX-061C	137A	WX-162D	5075A	WY-079C	5072A	WY-260C	146A
WV-096	140A	WV-340	147A	WWW-120C	142A	WX-061D	137A	WX-167	5075A	WY-079D	5072A	WY-270	146A
WV-098A	140A	WV-340A	147A	WWW-120D	142A	WX-063	137A	WX-167A	5075A	WY-081	5072A	WY-270A	146A
WV-098B	140A	WV-340B	147A	WWW-125	144A	WX-063A	137A	WX-167B	5075A	WY-081A	5072A	WY-270B	146A
WV-098C	140A	WV-340C	147A	WWW-125A	144A	WX-063B	137A	WX-167C	5075A	WY-081B	5072A	WY-270C	146A
WV-098D	140A	WV-340D	147A	WWW-125B	144A	WX-063C	137A	WX-167D	5075A	WY-081C	5072A	WY-270D	146A
WV2AA50C	5703	WW-050	135A	WWW-125C	144A	WX-063D	137A	WX-172	5077A	WY-081D	5072A	WY-280	5084A
WV2AA50E	5703	WW-050A	135A	WWW-125D	144A	WX-065	137A	WX-172A	5077A	WY-083	5072A	WY-290A	5084A
WV2BC25C	5700	WW-050B	135A	WWW-130	144A	WX-065A	137A	WX-172B	5077A	WY-083A	5072A	WY-290B	5084A
WV2BC25E	5700	WW-050C	135A	WWW-130A	144A	WX-065B	137A	WX-172C	5077A	WY-083B	5072A	WY-290C	5084A
WV2BE25C	5702	WW-052A	135A	WWW-130B	144A	WX-065C	137A	WX-172D	5077A	WY-083C	5072A	WY-290D	5084A
WV2BE25E	5702	WW-052A	135A	WWW-130C	144A	WX-065D	137A	WX-177	5077A	WY-083D	5072A	WY-300	5084A
WV2B25C	5702	WW-052B	135A	WWW-130D	144A	WX-071	137A	WX-177A	5077A	WY-085	5072A	WY-300A	5084A
WV2B25E	5702	WW-052B	135A	WWW-140	144A	WX-071A	137A	WX-177B	5077A	WY-085A	5072A	WY-300B	5084A
WV2B25E	5701	WW-052C	135A	WWW-140A	144A	WX-071B	137A	WX-177C	5077A	WY-085B	5072A	WY-300C	5084A
WV2B25E	5701	WW-052D	135A	WWW-140B	144A	WX-071C	137A	WX-177D	5077A	WY-085C	5072A	WY-300D	5084A
WV2B25E	5701	WW-054	136A	WWW-140C	144A	WX-071D	137A	WX-182	5077A	WY-085D	5072A	WY-330	147A
WV2B25E	5701	WW-054A	136A	WWW-140D	144A	WX-073	138A	WX-182A	5077A	WY-088	139A	WY-330A	147A
WV-100	140A	WW-054B	136A	WWW-150	145A	WX-073A	138A	WX-182C	5077A	WY-088A	139A	WY-330B	147A
WV-100A	140A	WW-054C	136A	WWW-150A	145A	WX-073B	138A	WX-182D	5077A	WY-088B	139A	WY-330C	147A
WV-100B	140A	WW-054D	136A	WWW-150B	145A	WX-073C	138A	WX-200	5081A	WY-088C	139A	WY-330D	147A
WV-100C	140A	WW-056	136A	WWW-150C	146A	WX-073D	138A	WX-230A	5081A	WY-088D	139A	WY-340	147A
WV-100D	140A	WW-056A	136A	WWW-157	5075A	WX-075	136A	WX-230B	5081A	WY-089	139A	WY-340A	147A
WV-110	140A	WW-056B	136A	WWW-157A	5075A	WX-075A	136A	WX-230C	5081A	WY-090A	139A	WY-340B	147A
WV-110A	5074A	WW-056C	136A	WWW-157B	5075A	WX-075B	136A	WX-230D	5081A	WY-090B	139A	WY-340C	147A
WV-110B	5074A	WW-056D	136A	WWW-157C	5075A	WX-075C	136A	WX-240	5081A	WY-090C	139A	WY-340D	147A
WV-110C	5074A	WW-058	136A	WWW-157D	5075A	WX-075D	136A	WX-240A	5081A	WY-090D	139A	WZ-03	5005A
WV-110D	5074A	WW-058A	136A	WWW-162	5075A	WX-077	138A	WX-240B	5081A	WY-092A	139A	WZ-036	5006A
WV-115	141A	WW-058B	136A	WWW-162A	5075A	WX-077A	138A	WX-240C	5081A	WY-092B	139A	WZ-047	5009A
WV-115A	141A	WW-058C	136A	WWW-162B	5075A	WX-077B	138A	WX-240D	5081A	WY-092C	139A	WZ-050	5010A
WV-115B	141A	WW-058D	136A	WWW-162C	5075A	WX-077C	138A	WX-250	5081A	WY-092D	139A	WZ-054	5010A
WV-115C	141A	WW-061A	137A	WWW-162D	5075A	WX-077D	138A	WX-250B	5081A	WY-094	139A	WZ-050A	135A
WV-115D	141A	WW-061B	137A	WWW-167	5075A	WX-079A	5072A	WX-250C	5081A	WY-094A	139A	WZ082	5010A
WV-120	142A	WW-061C	137A	WWW-167A	5075A	WX-079B	5072A	WX-250D	5081A	WY-094B	139A	WZ082A	5010A
WV-120A	142A	WW-061D	137A	WWW-167B	5075A	WX-079C	5072A	WX-260	146A	WY-094C	139A	WZ-052A	5010A
WV-120B	142A	WW-063	137A	WWW-167C	5075A	WX-079D	5072A	WX-260A	146A	WY-094D	139A	WZ-054	5011A
WV-120C	142A	WW-063A	137A	WWW-167D	5075A	WX-081	5072A	WX-260B	146A	WY-096	140A	WZ-054A	136A
WV-120D	142A	WW-063B	137A	WWW-172	5077A	WX-081A	5072A	WX-260C	146A	WY-098A	140A	WZ056	5011A
WV-125	143A	WW-063C	137A	WWW-172A	5077A	WX-081B	5072A	WX-260D	146A	WY-098B	140A	WZ-056A	5011A
WV-125A	143A	WW-063D	137A	WWW-172B	5077A	WX-081C	5072A	WX-270	146A	WY-098C	140A	WZ-058	5012A
WV-125B	143A	WW-065	137A	WWW-172C	5077A	WX-081D	5072A	WX-270A	146A	WY-098D	140A	WZ-058A	5012A
WV-125C	143A	WW-065A	137A	WWW-172D	5077A	WX-083	5072A	WX-270B	146A	WY-100	140A	WZ059	5012A
WV-125D	143A	WW-065B	137A	WWW-172E	5077A	WX-083A	5072A	WX-270C	146A	WY-100A	140A	WZ060	138A
WV-130	144A	WW-065C	137A	WWW-177A	5077A	WX-083B	5072A	WX-270D	146A	WY-100B	140A	WZ061	5013A
WV-130A	144A	WW-065D	137A	WWW-177B	5077A	WX-083C	5072A	WX-290	5084A	WY-100C	140A	WZ-061A	5013A
WV-130B	144A	WW-071	138A	WWW-177C	5077A	WX-083D	5072A	WX-290A	5084A	WY-100D	140A	WZ-061B	5013A
WV-130C	144A	WW-071A	138A	WWW-177D	5077A	WX-085	5072A	WX-290B	5084A	WY-110	5074A	WZ-063A	137A
WV-130D	144A	WW-071B	138A	WWW-182	5077A	WX-085A	5072A	WX-290C	5084A	WY-110A	5074A	WZ-063B	137A
WV-140A	144A	WW-071C	138A	WWW-182A	5077A	WX-085B	5072A	WX-290D	5084A	WY-110B	5074A	WZ-083A	137A
WV-140B	144A	WW-071D	138A	WWW-182B	5077A	WX-085C	5072A	WX-300	5084A	WY-110C	5074A	WZ-083B	137A
WV-140C	144A	WW-073	138A	WWW-182C	5077A	WX-085D	5072A	WX-300A	5084A	WY-110D	5074A	WZ-085	5014A</

Main table with columns: To Be Replaced, ECG Replacement, To Be Replaced, ECG Replacement, To Be Replaced, ECG Replacement, To Be Replaced, ECG Replacement, To Be Replaced, ECG Replacement, To Be Replaced, ECG Replacement. Contains multiple columns of part numbers and their equivalents.

When basing of original part differs from ECG replacement, basing for original part is shown in parentheses () after the part number. For example, the 2SA509A(EOB) is replaced by ECG159 which has "EOC" basing.

Main table containing multiple columns of semiconductor part numbers for replacement. Each entry typically includes a part number from the original device and its corresponding replacement part number from various manufacturers.

* , #, @, +, \$, † - See Special Notes on Page 2-2

To Be Replaced	ECG Replacement	To Be Replaced	ECG Replacement	To Be Replaced	ECG Replacement	To Be Replaced	ECG Replacement	To Be Replaced	ECG Replacement	To Be Replaced	ECG Replacement	To Be Replaced	ECG Replacement
Z5D240CF	5198A	Z80A-CTC-CS	3882	Z1132	150A	Z4740A	140A	Z439B	5086A	ZB1.8	138A	ZB150A	5100A
Z5D270CF	5200A	Z80A-CTCD1	3882	Z1132	150A	Z4741A	5074A	Z443B	5087A	ZB3.3	5066A	ZB150B	5100A
Z5D300CF	5202A	Z80A-CTC-PS	3882	Z1134	151A	Z4742A	142A	Z447B	5088A	ZB3.3A	5066A	ZB160	5101A
Z5D330CF	5203A	Z80A-PIOC-CS	3881	Z1140	136A	Z4743A	148A	Z451B	5089A	ZB3.5	5068A	ZB160A	5101A
Z5D360CF	5204A	Z80A-PIOC-PS	3881	Z1140	136A	Z4744A	148A	Z458B	5089A	ZB3.5A	5068A	ZB160B	5101A
Z5D390CF	5205A	Z80A-PIOD1	3881	Z1145	135A	Z4745A	5075A	Z458A	148A	ZB3.6	134A	ZB160C	5101A
Z5D430CF	5206A	Z80A-PIOD-PS	3881	Z1145	135A	Z4746A	5077A	Z458B	5090A	ZB3.6A	134A	ZB180A	5103A
Z5D470CF	5208A	Z80-CPUB1	3880	Z1150	136A	Z4747A	5079A	Z462	149A	ZB3.9	5067A	ZB180B	5103A
Z5D510CF	5210A	Z80-CPUD1	3880	Z1150	136A	Z4748A	5080A	Z462A	149A	ZB3.9A	5067A	ZB200	5105A
Z5D560CF	5212A	Z80-CPUD1	3880	Z1155	136A	Z4749A	5081A	Z462B	149A	ZB3.9B	5067A	ZB200A	5105A
Z5D620CF	5214A	Z80-CPUD-PS	3880	Z1155	136A	Z4750A	148A	Z469B	5092A	ZB4.3	5068A	ZB200B	5105A
Z5D680CF	5216A	Z80-CTCB1	3882	Z1160	135A	Z4751A	5084	Z475B	5093A	ZB4.3A	5068A	ZB200C	5111A
Z5D710CF	5218A	Z80-CTC-CS	3882	Z1160	135A	Z4752A	147A	Z475B	5093A	ZB5.6	5068A	ZB200D	5111A
Z5D820CF	5217A	Z80-CTCD1	3882	Z1165	136A	Z4753A	5085A	Z482A	150A	ZB4.7	5068A	ZB200E	5111A
Z5D910CF	5219A	Z80-CTC-PS	3882	Z1165	136A	Z4754A	5086A	Z482B	150A	ZB4.7A	5068A	ZB200F	5112A
Z5D1000CF	5220A	Z-80/MK3880	3880	Z1170	136A	Z4755A	5087A	Z491B	5095A	ZB4.7B	5068A	ZB200G	5112A
Z5.1(Zener)	5010A	Z80-PIOB1	3881	Z1170	136A	Z4756A	5088A	ZA100B	5096A	ZB5.1	135A	ZB200H	5112A
Z5.1B	5010A	Z80-PIOC-CS	3881	Z1202	5089A	Z4757A	5089A	ZA110	151A	ZB5.1A	135A	ZB200I	5112A
Z5.6	136A	Z80-PIOD1	3881	Z1212	142A	Z4758A	5090A	ZA110A	151A	ZB5.1B	135A	ZB200J	5112A
Z5.6(Zener)	5011A	Z80-PIOD-PS	3881	Z1214	145A	Z4759A	149A	ZA110B	151A	ZB5.6	136A	ZB200K	5112A
Z5.8BM	5011A	Z80(MOV)	10050	Z1216	5077A	Z4760A	5092A	ZA120B	5097A	ZB5.6A	136A	ZB200L	5114A
Z5.8M	5010A	Z80B	5020A	Z1216	5077A	Z4761A	5093A	ZA120C	5097A	ZB5.6B	136A	ZB200M	5114A
Z6A2(Zener)	5011A	Z82	194	Z1222	147A	Z4762A	150A	ZA150	166	ZB6.2	137A	ZB200N	5114A
Z6.2	137A	Z100	5096A	Z1226	148A	Z4763A	5096A	ZA150B	166	ZB6.2A	137A	ZB200O	5114A
Z6.2A	137A	Z100(MOV)	10050	Z1240	136A	Z4764A	5096A	ZA160B	5101A	ZB6.2B	137A	ZB200P	5115A
Z6.2L	137A	Z101	5072A	Z1245	136A	Z4765A	5097A	ZA160B	5101A	ZB6.8	5071A	ZB200Q	5115A
Z6.8	5071A	Z110	151A	Z1250	136A	Z4766A	136A	ZA200B	5105A	ZB6.8A	5071A	ZB200R	5116A
Z7A1(Zener)	5014A	Z111Z	142A	Z1250	136A	Z4767A	136A	ZA29312	519	ZB6.8B	5071A	ZB200S	5116A
Z7A2	136A	Z120	5087A	Z1255	136A	Z4768A	136A	ZA100962E	108	ZB7.3	138A	ZB200T	5116A
Z7A2.1	136A	Z120(MOV)	10050	Z1255	136A	Z4769A	136A	ZA1050A	102A	ZB7.3A	138A	ZB200U	5117A
Z7A2.1Z	136A	Z121	136A	Z1262	136A	Z4770A	136A	ZAC6.9	5120A	ZB7.3B	138A	ZB200V	5117A
Z7A3	136A	Z121-03UL	1V115	Z1260	136A	Z4771A	136A	ZAC7.5	5121A	ZB8.2	5072A	ZB200W	5117A
Z7A3.30	1V017	Z130	5098A	Z1265	136A	Z4772A	136A	ZAC7.5A	5121A	ZB8.2A	5072A	ZB200X	5119A
Z7L390	1V020	Z131-03UL	1V130	Z1265	136A	Z4773A	136A	ZAC7.5B	5121A	ZB8.2B	5072A	ZB200Y	5119A
Z7L470	1V025	Z131-20UL	524V13	Z1270	136A	Z4774A	136A	ZAC9.1	5124A	ZB9.1	139A	ZB200Z	5119A
Z7L471	1V175	Z131-20ULB	524V13	Z1270	136A	Z4775A	136A	ZAC9.1A	5124A	ZB9.1A	139A	ZB200A	5120A
Z7L560	1V030	Z131-70UL	524V13	Z1270	136A	Z4776A	136A	ZAC9.1B	5124A	ZB9.1B	139A	ZB200B	5120A
Z7L680	1V035	Z140	5099A	Z1302	5176AK	Z4777A	136A	ZAC9.1C	5124A	ZB9.1C	139A	ZB200C	5120A
Z7.5	138A	Z130A	5100A	Z1304	5178AK	Z4778A	136A	ZAC10	5125A	ZB9.1D	140A	ZB200D	5120A
Z7.5BM	5015A	Z150(MOV)	1V035	Z1310	136A	Z4779A	136A	ZAC10A	140A	ZB9.1E	140A	ZB200E	5121A
Z8.2	5072A	Z151-0EUL	1V150	Z1312	5188A	Z4780A	136A	ZAC10B	5125A	ZB9.1F	140A	ZB200F	5121A
Z8.2A	5072A	Z160	5101A	Z1314	5191A	Z4781A	136A	ZAC11B	5126A	ZB9.1G	140A	ZB200G	5121A
Z8.2B	5072A	Z170	5102A	Z1316	5193A	Z4782A	136A	ZAC11C	5126A	ZB9.1H	140A	ZB200H	5122A
Z8.2C	5072A	Z175-011	5177	Z1318	5197A	Z4783A	136A	ZAC12A	5127A	ZB9.1I	5074A	ZB200I	5122A
Z8.2D	5072A	Z180	5103A	Z1320	5200A	Z4784A	136A	ZAC12B	5127A	ZB9.1J	5074A	ZB200J	5122A
Z9.1B1	5018A	Z181-03UL	1V175	Z1322	5203A	Z4785A	136A	ZAC13B	5128A	ZB9.1K	5074A	ZB200K	5122A
Z9.1B2	5018A	Z190	5104A	Z1324	5205A	Z4786A	136A	ZAC15	5130A	ZB9.1L	142A	ZB200L	5124A
Z9.1B3	5018A	Z200	5105A	Z1326	5209A	Z4787A	136A	ZAC15A	5130A	ZB9.1M	142A	ZB200M	5124A
Z9.1B4	5018A	Z251-2VUL	1V250	Z1329	5213A	Z4788A	136A	ZAC16B	5130A	ZB9.1N	142A	ZB200N	5124A
Z10	140A	Z271-23UL	1V275	Z1330	6215A	Z4789A	136A	ZAC16B	5131A	ZB9.1O	143A	ZB200O	5125A
Z10-100	5026A	Z301-25UL	1V300	Z1332	5265	Z4790A	136A	ZAC17A	5132A	ZB9.1P	143A	ZB200P	5125A
Z10-110A	5097A	Z300(MOV)	10050	Z1333	5268A	Z4791A	136A	ZAC18	5133A	ZB9.1Q	143A	ZB200Q	5125A
Z10-120	5097A	Z430(MOV)	1V275	Z1336	5223A	Z4792A	136A	ZAC18B	5133A	ZB9.1R	143A	ZB200R	5126A
Z10-130	5098A	Z470(MOV)	1V300	Z1338	5226A	Z4793A	136A	ZAC20B	5135A	ZB9.1S	145A	ZB200S	5126A
Z10-140	5099A	Z500-02	1V050	Z1340	5230A	Z4794A	136A	ZAC22	5136A	ZB9.1T	145A	ZB200T	5127A
Z10-160	5100A	Z537	147A	Z1340	5230A	Z4795A	136A	ZAC22A	5136A	ZB9.1U	146A	ZB200U	5127A
Z10-160	5101A	Z590	140A	Z1345	136A	Z4796A	136A	ZAC22B	5136A	ZB9.1V	5075A	ZB200V	5127A
Z10-170	5102A	Z600-02	1V060	Z1345	136A	Z4797A	136A	ZAC24B	5137A	ZB9.1W	5075A	ZB200W	5128A
Z10-180	5103A	Z631	149A	Z1345	136A	Z4798A	136A	ZAC27	5138A	ZB9.1X	5077A	ZB200X	5128A
Z10-190	5104A	Z694	138A	Z1350	136A	Z4799A	136A	ZAC27A	5138A	ZB9.1Y	5077A	ZB200Y	5128A
Z10-200	5099A	Z700-02	1V075	Z1351	136A	Z4800A	136A	ZAC28	5139A	ZB9.1Z	140A	ZB200Z	5129A
Z10A(Zener)	5019A	Z750-02	1V075	Z1355	136A	Z4801A	136A	ZAC30B	5141A	ZB9.2	5077A	ZB200A	5129A
Z10B(Zener)	5019A	Z801	137A	Z1358	136A	Z4802A	136A	ZAC33	5142A	ZB9.2A	5079A	ZB200B	5129A
Z10K	140A	Z950-02	1V095	Z1360	136A	Z4803A	136A	ZAC33A	5142A	ZB9.2B	5080A	ZB200C	5130A
Z10L271	524V17	Z-983B	142A	Z1365	136A	Z4804A	136A	ZAC33B	5142A	ZB9.2C	5080A	ZB200D	5130A
Z11	5074A	Z1000	5005A	Z1365	136A	Z4805A	136A	ZAC36B	5143A	ZB9.2D	5080A	ZB200E	5130A
Z11B	5020A	Z1002	5007A	Z1370	136A	Z4806A	136A	ZAC38	5144A	ZB9.2E	5080A	ZB200F	5132A
Z11B1	5020A	Z1004	5009A	Z1370	136A	Z4807A	136A	ZAC38B	5144A	ZB9.2F	5080A	ZB200G	5132A
Z11B2	5020A	Z1004A	5009A	Z1375	5111A	Z4808A	4919	ZAC43B	5148A	ZB9.2G	5081A	ZB200H	5132A
Z11BM	5020A	Z1100A	5068A	Z1375	5111A	Z4809A	4921	ZAC45B	5147A	ZB9.2H	5081A	ZB200I	5133A
Z11BMTA	5020A	Z1100B	5014A	Z1375	5111A	Z4810A	4929	ZAC46	5148A	ZB9.2I	5081A	ZB200J	5133A
Z12	142A	Z1250(HEP)	5117A	Z1380	5119A	Z4811A	4935	ZAC47	5148A	ZB9.2J	146A	ZB200K	5133A
Z12(Zener)	5021A	Z1250(HEP)	5119A	Z1385	5119A	Z4812A	4961	ZAC49B	5148A	ZB9.2K	146A	ZB200L	5134A
Z12A	142A	Z1251(HEP)	5121A	Z1390	5120A	Z4813A	4961	ZAC52B	5150A	ZB9.2L	146A	ZB200M	5134A
Z12B(Zener)	5021A	Z1251(HEP)	5124A	Z1390	5120A	Z4814A	3880	ZAC56B	5151A	ZB9.2M	146A	ZB200N	5134A
Z12BM	5021A	Z1251(HEP)	5125A	Z1390	5120A	Z4815A	3880	ZAC58B	5152A	ZB9.2N	146A	ZB200O	5135A
Z12C	142A	Z1251(HEP)	5127A	Z1390	5120A	Z4816A	3880	ZAC61B	5153A	ZB9.2P	146A	ZB200P	5135A
Z12D	142A	Z1251(HEP)	5129A	Z1390	5120A	Z4817A	3880	ZAC62B	5153A	ZB9.2Q	5084A	ZB200Q	5136A
Z12E	143A	Z1251(HEP)	5131A	Z1390	5120A	Z4818A	3880	ZAC62C	5153A	ZB9.2R	5084A	ZB200R	5136A
Z13	143A	Z1251(HEP)	5133A	Z1390	5120A	Z4819A	3880	ZAC62D	5153A	ZB9.2S	147A	ZB200S	5136A
Z14B(Zener)	144A	Z1251(HEP)	5135A	Z1390	5120A	Z4820A	3880	ZAC100	5156A	ZB9.2T	147A	ZB200T	5137A
Z15	145A	Z1251(HEP)	5137A	Z1390	5120A	Z4821A	3880	ZAC100A	5156A	ZB9.2U	147A	ZB200U	5137A
Z-15	145A	Z2526(HEP)	5139A	Z1400	5120A	Z4822A	3880	ZAC100B	5156A	ZB9.2V	5085A	ZB200V	5137A
Z-15K	145A	Z2526(HEP)	5141A	Z1400	5120A	Z4823A	3880	ZAC101	5157A	ZB9.2W	5085A	ZB200W	5138A
Z15K	145A	Z2526(HEP)	5142A	Z1400	5120A	Z4824A	3880	ZAC120	5158A	ZB9.2X	5085A	ZB200X	5138A
Z15L221	2V130	Z2527(HEP)	5148A	Z1400	5120A	Z4825A	3880	ZAC120B	5158A	ZB9.2Y	5085A	ZB200Y	5139A
Z15L271	524V17	Z2527(

Table with 16 columns: To Be Replaced, ECG Replacement, To Be Replaced, ECG Replacement, To Be Replaced, ECG Replacement, To Be Replaced, ECG Replacement, To Be Replaced, ECG Replacement, To Be Replaced, ECG Replacement, To Be Replaced, ECG Replacement, To Be Replaced, ECG Replacement. It lists various semiconductor part numbers and their equivalents.

* , # , . , + , \$, % - See Special Notes on Page 2-2

Table with 10 columns: To Be Replaced, ECG Replacement, To Be Replaced, ECG Replacement, To Be Replaced, ECG Replacement, To Be Replaced, ECG Replacement, To Be Replaced, ECG Replacement. Contains numerous part numbers and their corresponding ECG replacements.

When basing of original part differs from ECG replacement, basing for original part is shown in parentheses () after the part number. For example, the 2SA509A(ECB) is replaced by ECG159 which has "ECB" basing.

To Be Replaced	ECG Replacement	To Be Replaced	ECG Replacement	To Be Replaced	ECG Replacement	To Be Replaced	ECG Replacement	To Be Replaced	ECG Replacement	To Be Replaced	ECG Replacement	To Be Replaced	ECG Replacement
ZT3866	128	ZTX301	123AP	ZU12	142A	ZV33A	147A	ZW33	147A	ZY39	5086A	ZZ13	143A
ZT55-1	5010A	ZTX302	123AP	ZU12A	142A	ZV33B	147A	ZX070	138A	ZY45	5087A	ZZ15	143A
ZTK33A	815A	ZTX303	123AP	ZU12B	142A	ZV62	149A	ZX-070	5071A	ZY47	5088A	ZZ-15	145A
ZTK-33B	815A	ZTX304	123AP	ZU-15	145A	ZV62A	149A	ZXL-14	144A	ZY51	5089A	ZZ18	5027A
ZTK33BDPO	815A	ZTX310	123AP	ZU15	145A	ZV62B	149A	ZY-14	144A	ZY56	5090A	ZZ22	5030A
ZTR1N60	109	ZTX311	123AP	ZU-15A	145A	ZV82	150A	ZY14B	144A	ZY62	149A	ZZ27	146A
ZTR-1n60	109	ZTX312	123AP	ZU15A	145A	ZV82A	150A	ZY3.9	5067A	ZY62A	149A	ZZ33	147A
ZTR-1S1555	177	ZTX313	216+	ZU-15B	145A	ZV82B	150A	ZY4.3	5068A	ZY62B	149A	ZZ62	149A
ZTR-A495	159	ZTX320	108	ZU15B	145A	ZV110	151A	ZY4.7	5069A	ZY68	5092A	ZZ82	150A
ZTR-B54	102A	ZTX321	108	ZU27	146A	ZV110A	151A	ZY5.1	138A	ZY75	5093A	ZZ110	151A
ZTR-B56	102A	ZTX325	216	ZU27A	146A	ZV110B	151A	ZY5.6	136A	ZY82	150A		
ZTR-C373	199	ZTX330	123AP	ZU27B	146A	ZW0-9-1	139A	ZY6.2	137A	ZY82A	150A		
ZTR-F0R2B	5402	ZTX331	123AP	ZU33	147A	ZW0762	289A	ZY6.8	5071A	ZY82B	150A		
ZTR-F0R2B	5402	ZTX360	123AP	ZU33A	147A	ZW2	116	ZY7.5	138A	ZY91	5095A		
ZTR-LM386N	823	ZTX440	128P+	ZU33B	147A	ZW2.7	5063A	ZY8.2	5072A	ZY100	5096A		
ZTR-LM3900N	992	ZTX460	128P+	ZU62	149A	ZW3	5065A	ZY9.1	151A	ZY110	151A		
ZTR-W03C	116	ZTX451	128P+	ZU62A	149A	ZW3.3	5066A	ZY10	140A	ZY110A	151A		
ZTR-W06B	116	ZTX462	128P+	ZU62B	149A	ZW3.8	134A	ZY11	5074A	ZY110B	151A		
ZTR-W06C	116	ZTX500	129	ZU82	150A	ZW3.9	5067A	ZY12	5127A	ZY120	5097A		
ZTR-W06B	116	ZTX501	159	ZU82A	150A	ZW4.3	5068A	ZY12A	142A	ZY150	5098A		
ZTX107	123AP	ZTX502	159	ZU82B	150A	ZW4.7	5069A	ZY12B	142A	ZY150	5100A		
ZTX108	123AP	ZTX503	159	ZU110	151A	ZW5.1	135A	ZY13	143A	ZY160	5101A		
ZTX109	123AP	ZTX504	159	ZU110A	151A	ZW5.6	136A	ZY15	145A	ZY180	5103A		
ZTX114	123AP	ZTX510	159	ZU110B	151A	ZW6.2	137A	ZY15	145A	ZY200	5105A		
ZTX212	159	ZTX530	159	ZV9.1	139A	ZW6.8	5071A	ZY15A	145A	ZZ3.9	5068A		
ZTX212A	159	ZTX530A	159	ZV9.1A	139A	ZW7.5	138A	ZY15A	145A	ZZ3.6	134A		
ZTX212B	159	ZTX530B	159	ZV9.1B	139A	ZW8.2	5072A	ZY15B	145A	ZZ3.9	5067A		
ZTX213	159	ZTX530C	159	ZV12	142A	ZW9.1	139A	ZY15B	145A	ZZ4.1	135A		
ZTX213A	159	ZTX630D	159	ZV12A	142A	ZW10	140A	ZY16	5075A	ZZ4.3	5068A		
ZTX213B	159	ZTX531	159	ZV12B	142A	ZW11	5074A	ZY18	5077A	ZZ4.7	5069A		
ZTX214	159	ZTX531A	159	ZV15	145A	ZW12	142A	ZY20	5079A	ZZ5.1	135A		
ZTX214B	159	ZTX531B	159	ZV15	145A	ZW13	143A	ZY22	5080A	ZZ5.6	136A		
ZTX214C	159	ZTX549	129P+	ZV-15A	145A	ZW15	145A	ZY24	5081A	ZZ6.2	137A		
ZTX237	123AP	ZTX550	129P+	ZV15A	145A	ZW16	5075A	ZY27	146A	ZZ6.8	5071A		
ZTX237A	123AP	ZTX551	129P+	ZV15B	145A	ZW18	5077A	ZY27A	146A	ZZ7.5	136A		
ZTX237B	123AP	ZTX552	129P+	ZV-15B	145A	ZW20	5079A	ZY27B	146A	ZZ8.2	5072A		
ZTX239	123AP	ZTX650	123AP	ZV27	146A	ZW22	5080A	ZY33	147A	ZZ9.1	139A		
ZTX239B	123AP	ZTX651	123AP	ZV27A	146A	ZW24	5081A	ZY33A	147A	ZZ10	140A		
ZTX239C	123AP	ZTX750	159P+	ZV27B	146A	ZW27	146A	ZY33B	147A	ZZ11	5074A		
ZTX300	123AP	ZTX751	159P+	ZV33	147A	ZW30	5084A	ZY36	5085A	ZZ12	142A		

•, #, @, !, +, \$, % - See Special Notes on Page 2-2

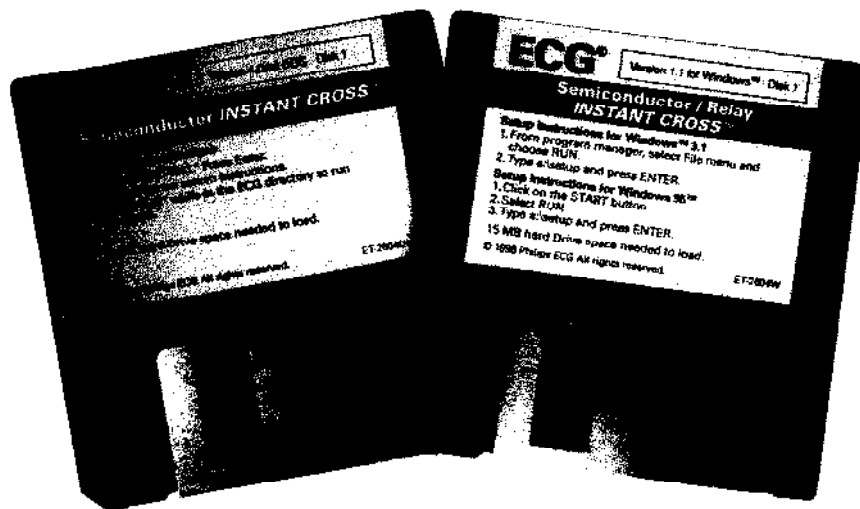
2/16

**We're On The Web,
Check Us Out At...
<http://www.ecgproducts.com>**

**ECG
Has Relays Too!
Over 700 Products,
With The Largest
Cross Reference
Available**

**ECG
Also Offers You
A Wide Variety Of
Generic
Semiconductor
Devices**

**Industry's Largest Semiconductor and
Relay Cross Reference on Diskettes**



ECG now offers its **INSTANT CROSS™** for Windows®, with both the Semiconductors and Relays, in one program. Two Cross References in one. Now approximately 300,000 industry part numbers crossed in one data base. Totally IBM® compatible. Both the Semiconductor and Relay Cross Programs are available in separate DOS versions.

INSTANT CROSS is a trademark of Philips Electronics North America Corporation.
All other trademarks and registered trademarks are the property of their respective holders.